



US00D712360S

(12) **United States Design Patent**
Su et al.

(10) **Patent No.:** **US D712,360 S**
(45) **Date of Patent:** **** Sep. 2, 2014**

- (54) **CIRCULAR CONNECTOR**
- (71) Applicant: **Nextronics Engineering Corp.**, New Taipei (TW)
- (72) Inventors: **Hou-An Su**, Keelung (TW); **Hai-Wen Yang**, Shanxi Province (CN); **Xin-Chao Xiao**, Hunan Province (CN)
- (73) Assignee: **Nextronics Engineering Corp.**, New Taipei (TW)
- (**) Term: **14 Years**
- (21) Appl. No.: **29/444,924**
- (22) Filed: **Feb. 6, 2013**
- (51) **LOC (10) Cl.** **13-03**
- (52) **U.S. Cl.**
USPC **D13/147**
- (58) **Field of Classification Search**
CPC F16L 23/00; F16L 27/00
USPC D23/259–269; D8/382, 387; D13/155, D13/146–147, 154; D24/129; 285/58, 83; 138/109; 123/468; 439/180, 374, 439/378–381
See application file for complete search history.

D452,299	S	*	12/2001	Aldred et al.	D23/259
D473,646	S	*	4/2003	Baillargeon et al.	D24/129
D493,428	S	*	7/2004	McCoy	D13/147
D497,414	S	*	10/2004	Matsumoto	D23/262
D511,747	S	*	11/2005	Rey et al.	D13/147
D512,965	S	*	12/2005	Dobler	D13/146
D546,665	S	*	7/2007	Medlin	D8/382
D580,360	S	*	11/2008	Vitito	D13/147
D596,136	S	*	7/2009	Sakamoto	D13/154
D596,137	S	*	7/2009	Sakamoto	D13/154
7,811,126	B1	*	10/2010	Chen	439/595
7,918,677	B2	*	4/2011	Robert	439/317
D639,939	S	*	6/2011	Klockars et al.	D24/129
8,162,013	B2	*	4/2012	Rosenquist et al.	141/384
D658,587	S	*	5/2012	Flattinger et al.	D13/147
D687,528	S	*	8/2013	Meyer	D23/262
D690,418	S	*	9/2013	Rosenquist	D24/129

(Continued)

Primary Examiner — Eric Goodman

Assistant Examiner — John Reickel

(74) *Attorney, Agent, or Firm* — Li & Cai Intellectual Property (USA) Office

(57) **CLAIM**

The ornamental design for a “circular connector,” as shown and described.

DESCRIPTION

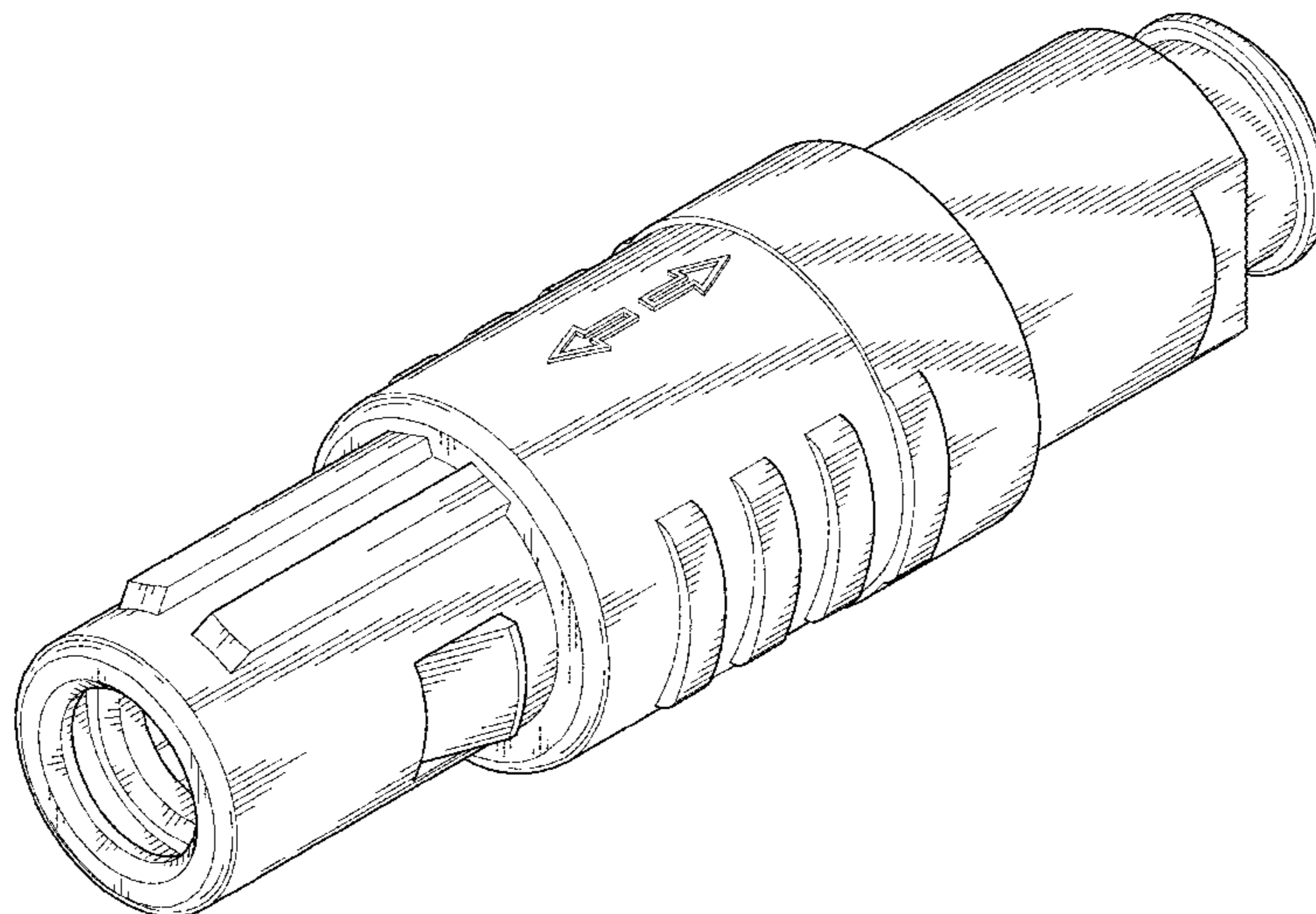
FIG. 1 is a perspective view of a circular connector showing my new design;
 FIG. 2 is a front view thereof;
 FIG. 3 is a rear view thereof;
 FIG. 4 is a left side view thereof;
 FIG. 5 is a right side view thereof;
 FIG. 6 is a top view thereof;
 FIG. 7 is a bottom view thereof; and,
 FIG. 8 is a perspective view showing the practical usage thereof.
 The broken lines depict portions of the circular connector which form no part of the claimed design.

1 Claim, 5 Drawing Sheets

(56) **References Cited**

U.S. PATENT DOCUMENTS

2,911,238	A	*	11/1959	Myers et al.	285/288.1
3,226,667	A	*	12/1965	Senior, Jr.	439/282
D207,709	S	*	5/1967	Tizard	D13/154
3,350,675	A	*	10/1967	Misencik et al.	439/39
3,390,677	A	*	7/1968	Razimbaud	604/414
3,495,856	A	*	2/1970	Daymond	285/300
D270,935	S	*	10/1983	Logsdon	D23/262
D412,885	S	*	8/1999	Toly	D13/154
5,984,899	A	*	11/1999	D’Alessio et al.	604/198
D422,356	S	*	4/2000	Marano et al.	D24/114
D436,935	S	*	1/2001	Feucht	D13/184
D450,814	S	*	11/2001	Aldred et al.	D23/259



US D712,360 S

Page 2

(56)

References Cited

U.S. PATENT DOCUMENTS

2009/0078322 A1*	3/2009	Thomas et al.	137/15.09
2010/0015842 A1*	1/2010	Zhang et al.	439/374
2010/0248521 A1*	9/2010	Lin et al.	439/346
2007/0270759 A1*	11/2007	Pessin	604/192

* cited by examiner

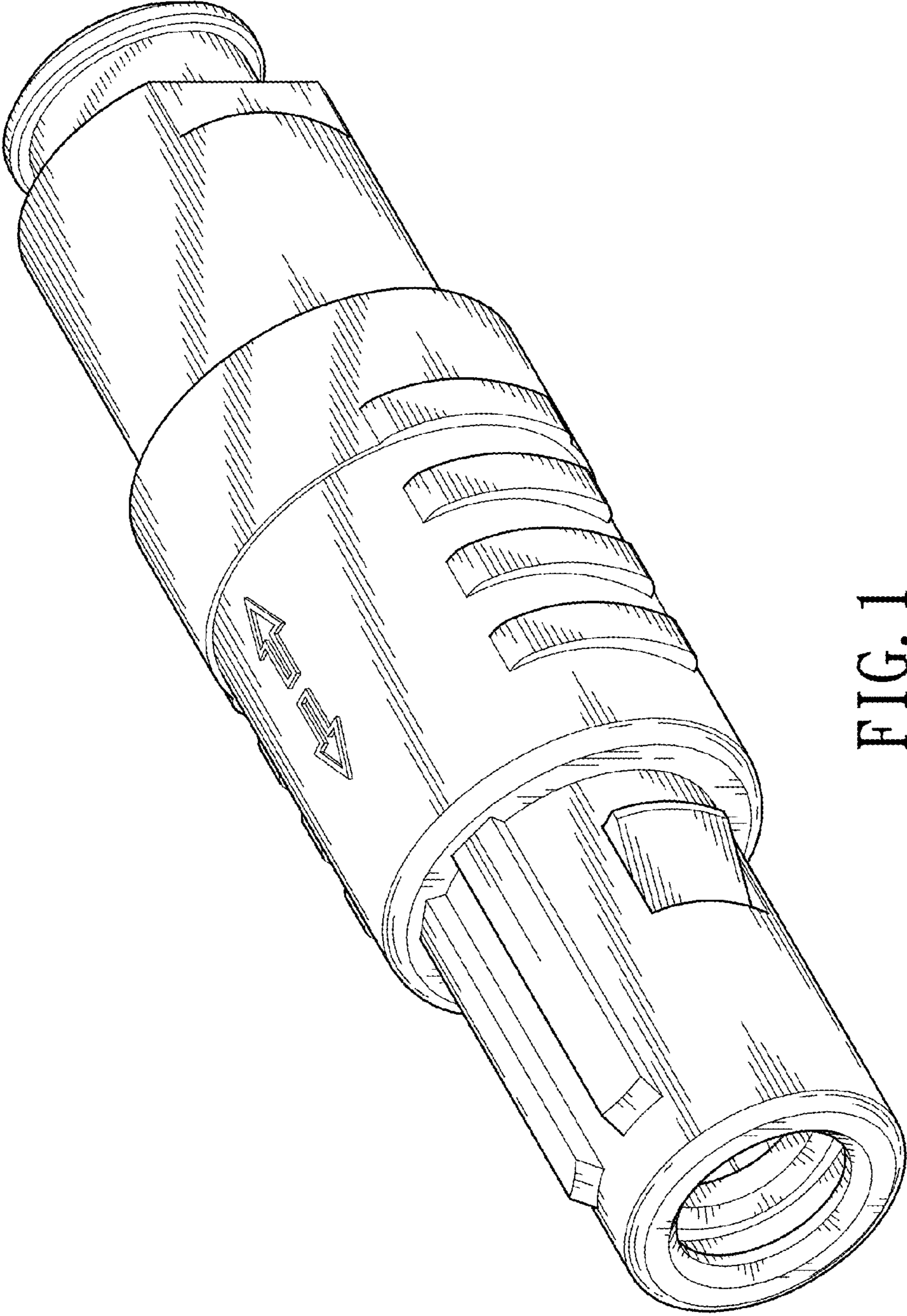


FIG. 1

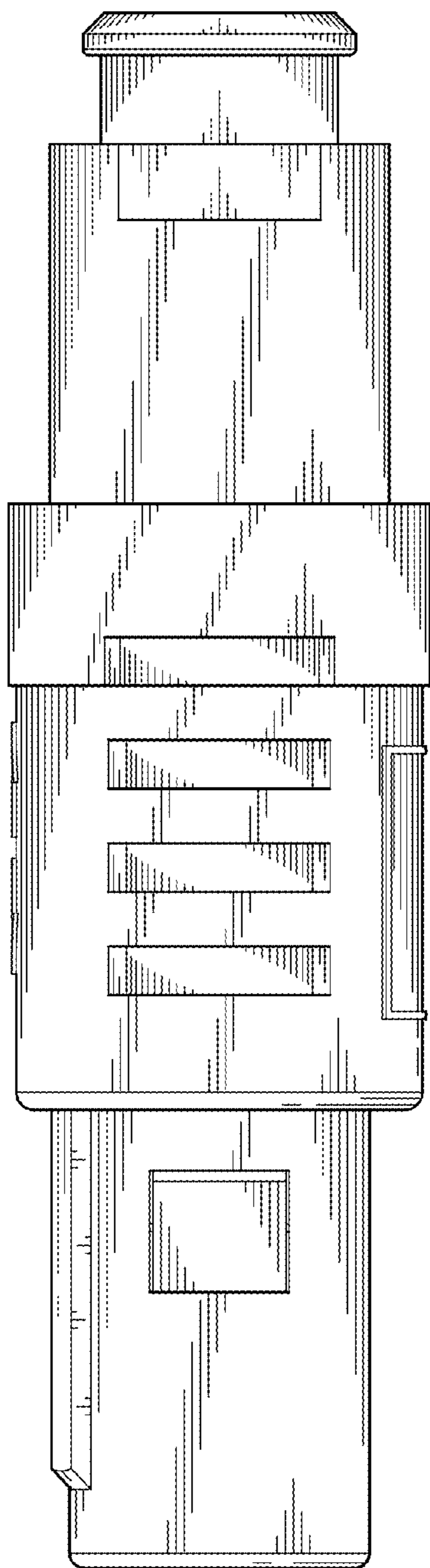


FIG. 2

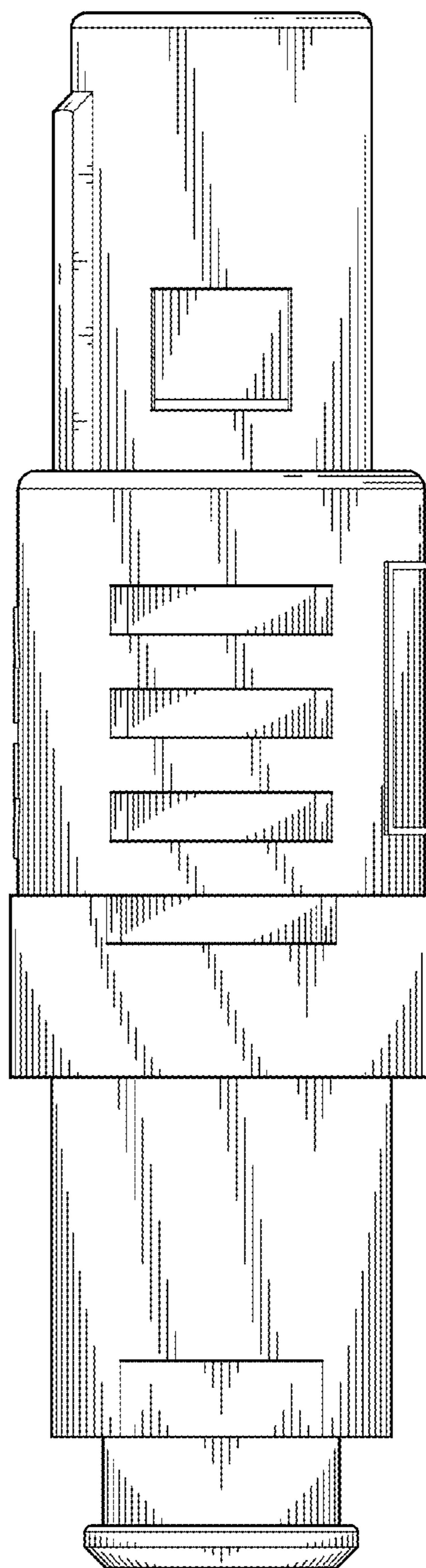


FIG. 3

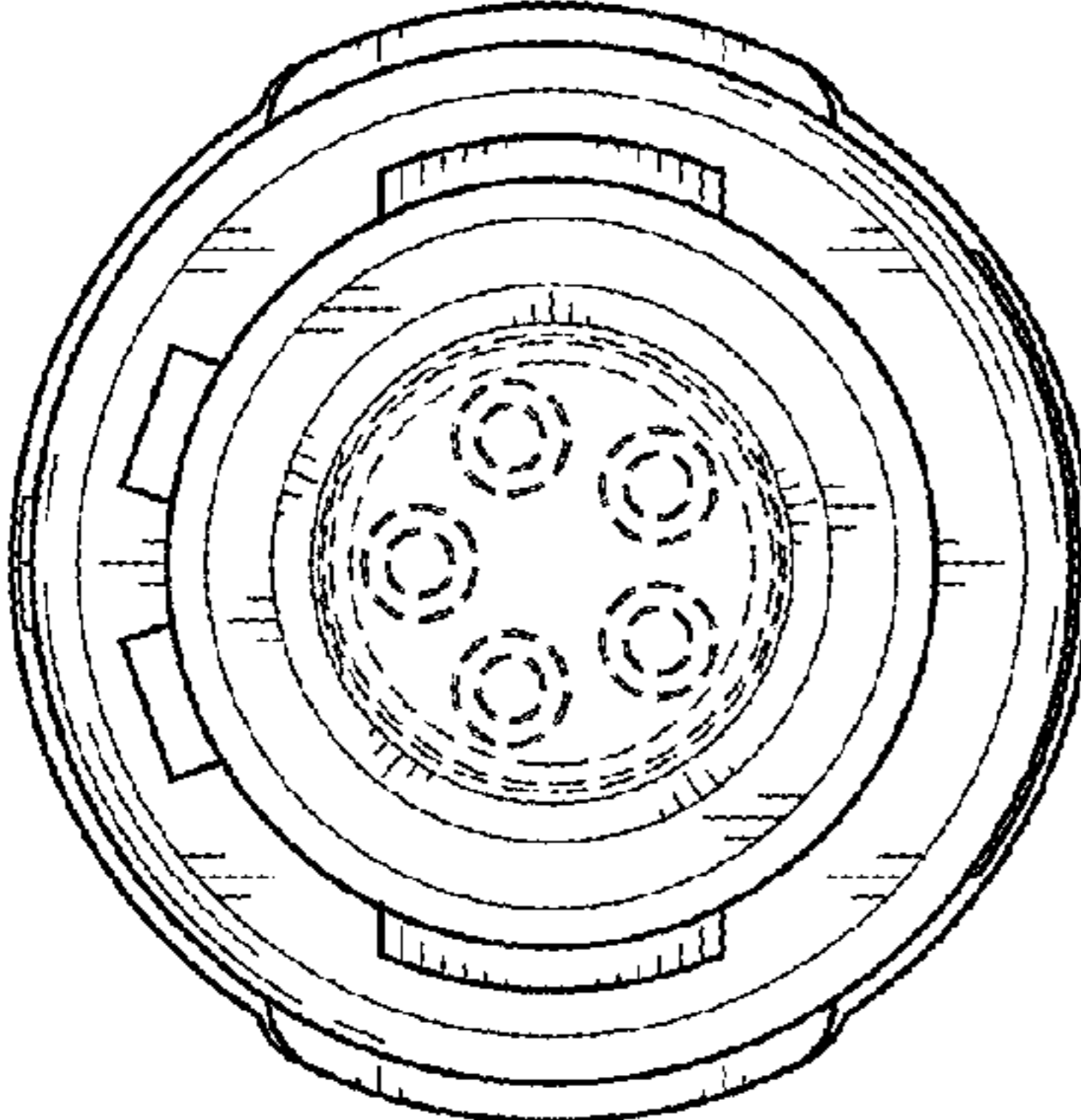


FIG. 4

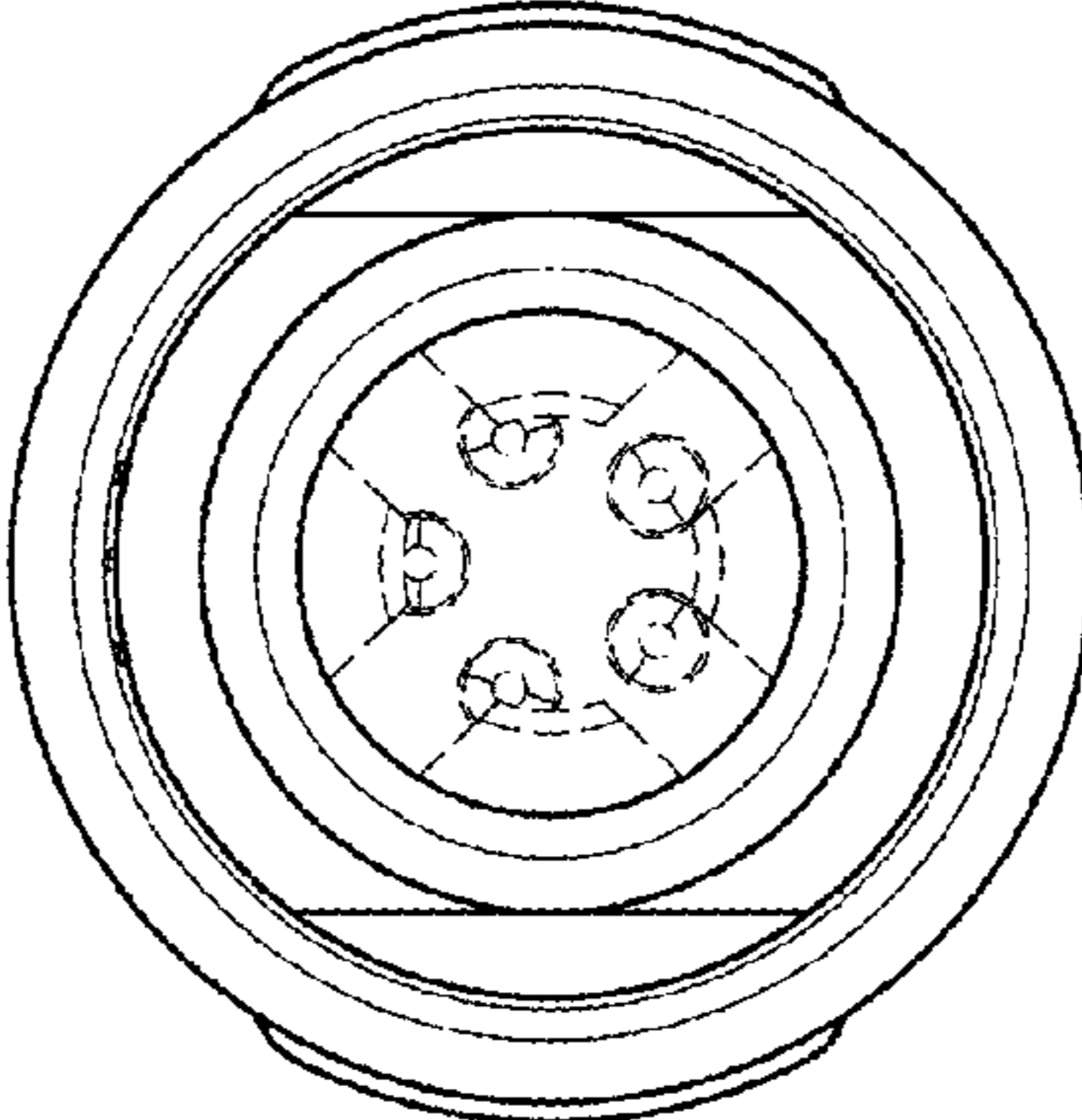


FIG. 5

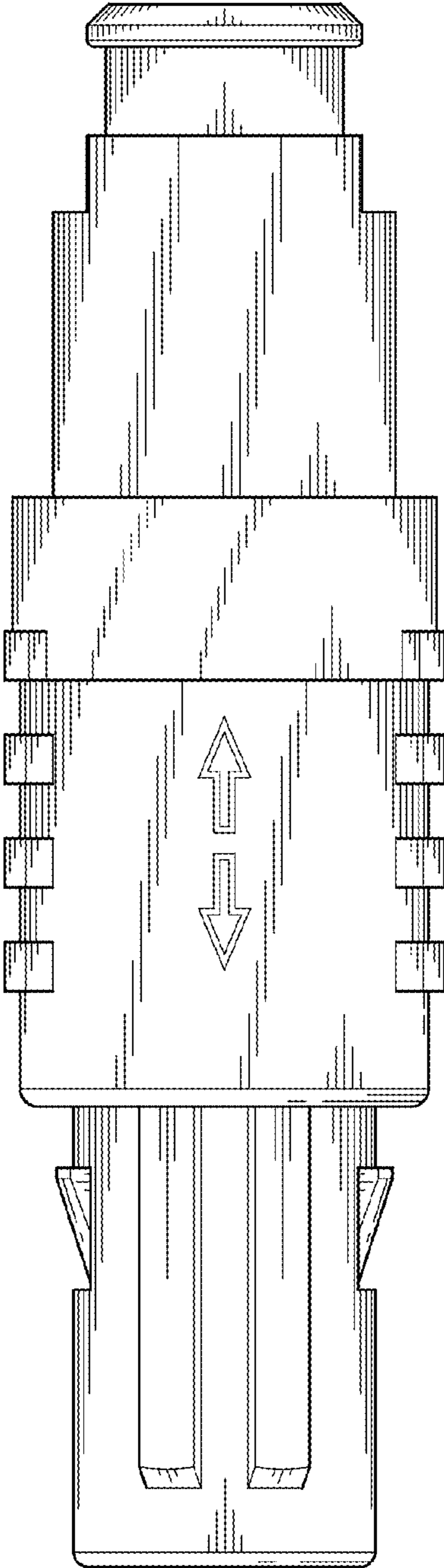


FIG. 6

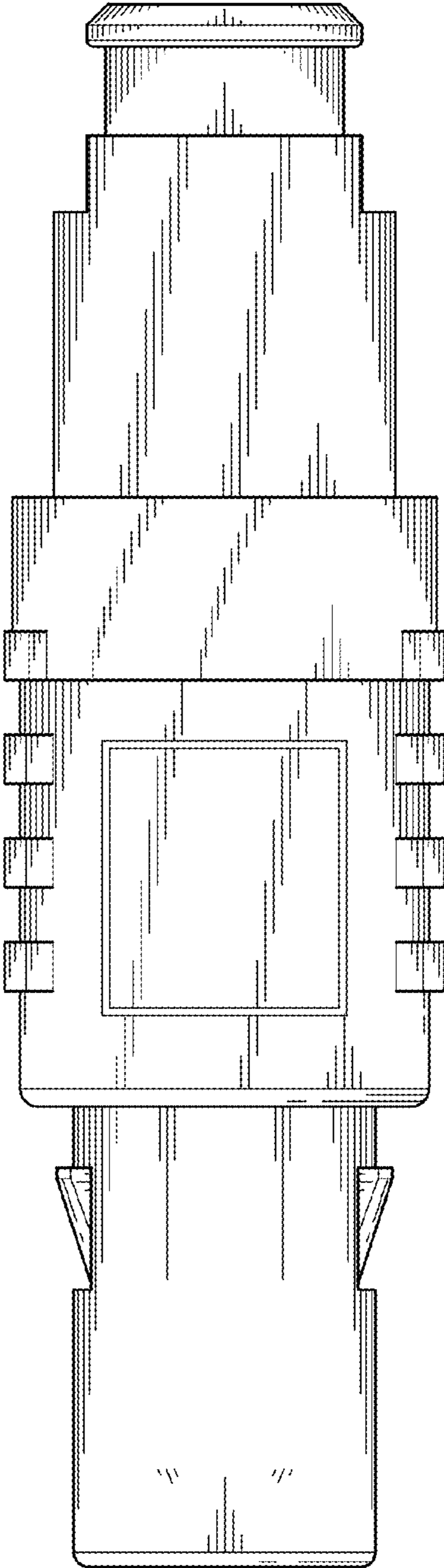


FIG. 7

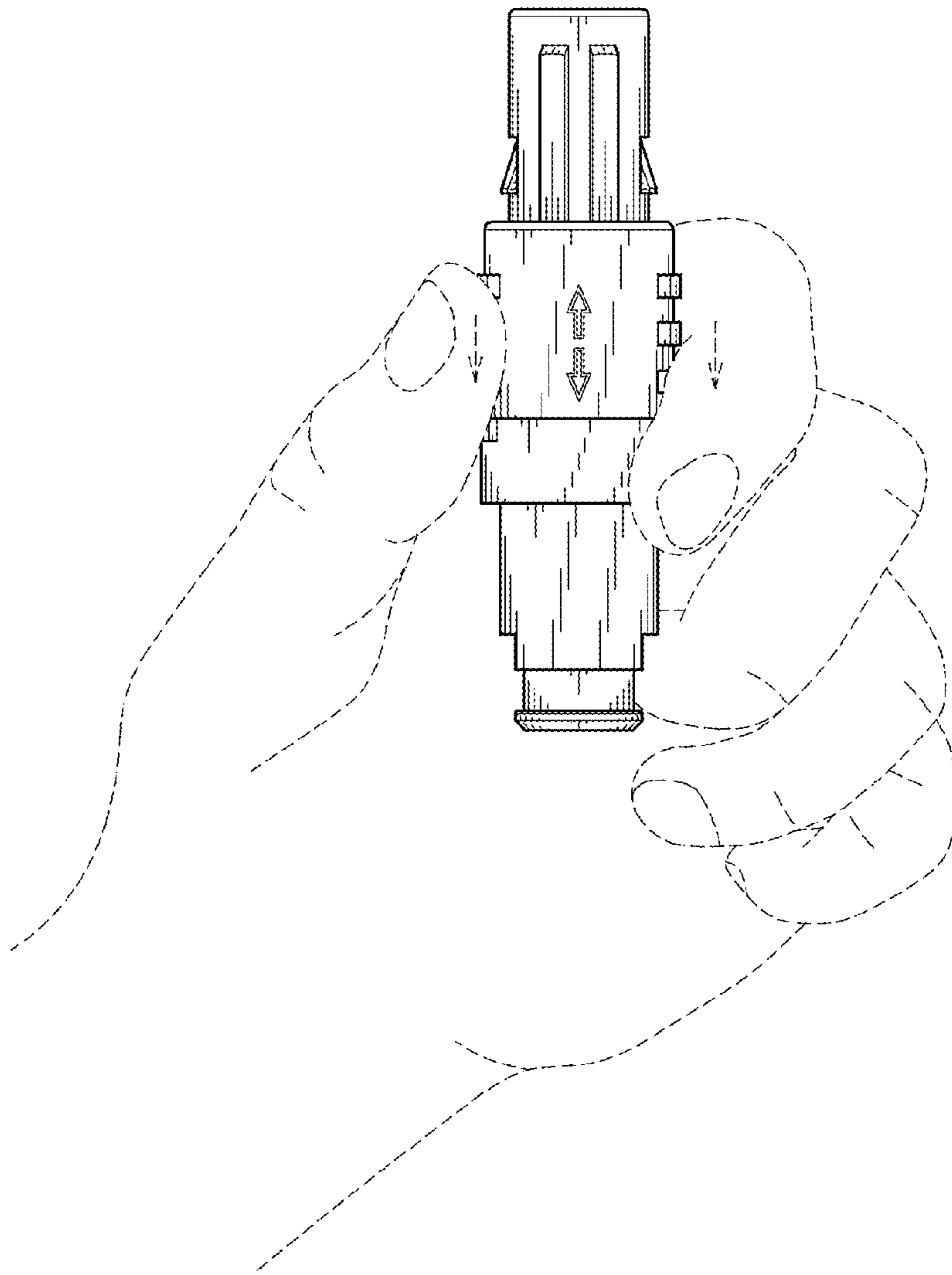


FIG. 8