



US00D712359S

(12) **United States Design Patent**
Allen et al.

(10) **Patent No.:** **US D712,359 S**
(45) **Date of Patent:** **** Sep. 2, 2014**

(54) **ELECTRICAL CONNECTOR**

(75) Inventors: **Philip Allen**, Wahroonga (AU); **David Stocks**, Bensville (AU); **Scott Ibbotson**, Pennant Hills (AU)

(73) Assignee: **Hunter Pacific International Pty Ltd**, Dural NSW (AU)

(**) Term: **14 Years**

(21) Appl. No.: **29/424,185**

(22) Filed: **Jun. 8, 2012**

(30) **Foreign Application Priority Data**

Dec. 9, 2011 (AU) 15613/2011

(51) **LOC (10) Cl.** **13-03**

(52) **U.S. Cl.**
USPC **D13/147**

(58) **Field of Classification Search**
USPC D13/146, 147, 154, 184, 199; 439/79, 439/108, 180, 246, 374, 378, 488, 527, 529, 439/530, 533, 567, 607.1, 607.4, 607.5, 439/607.17, 607.25, 607.34, 607.41, 439/607.53, 668, 680, 892, 894
See application file for complete search history.

(56) **References Cited**

U.S. PATENT DOCUMENTS

D90,938 S	10/1933	Beck	
2,739,780 A	3/1956	Richards	
4,073,598 A	2/1978	Mizutani et al.	
4,592,702 A	6/1986	Bogage	
D298,454 S	11/1988	Clyde-Mason	
D298,931 S *	12/1988	Sekiguchi	D13/147
D312,687 S	12/1990	Mason et al.	
D321,933 S	11/1991	Markwardt et al.	
D328,639 S	8/1992	Hsieh	
D328,785 S	8/1992	Markwardt	
D329,087 S	9/1992	Markwardt	

D342,311 S	12/1993	Rezek
D357,978 S	5/1995	Young
D358,365 S	5/1995	Rodeffer et al.
D361,377 S	8/1995	Tsuji
D372,080 S	7/1996	Dolan
D385,026 S	10/1997	Liu
D386,257 S	11/1997	Liu
D387,149 S	12/1997	Tsuji
D389,908 S	1/1998	Dolan
D391,661 S	3/1998	Pan
D396,531 S	7/1998	Lieu
D408,515 S	4/1999	Evans

(Continued)

OTHER PUBLICATIONS

Notice of Allowance for U.S. Appl. No. 29/424,184, mailed Aug. 7, 2013, 8 pages.

(Continued)

Primary Examiner — Daniel Bui

(74) *Attorney, Agent, or Firm* — Sheridan Ross P.C.

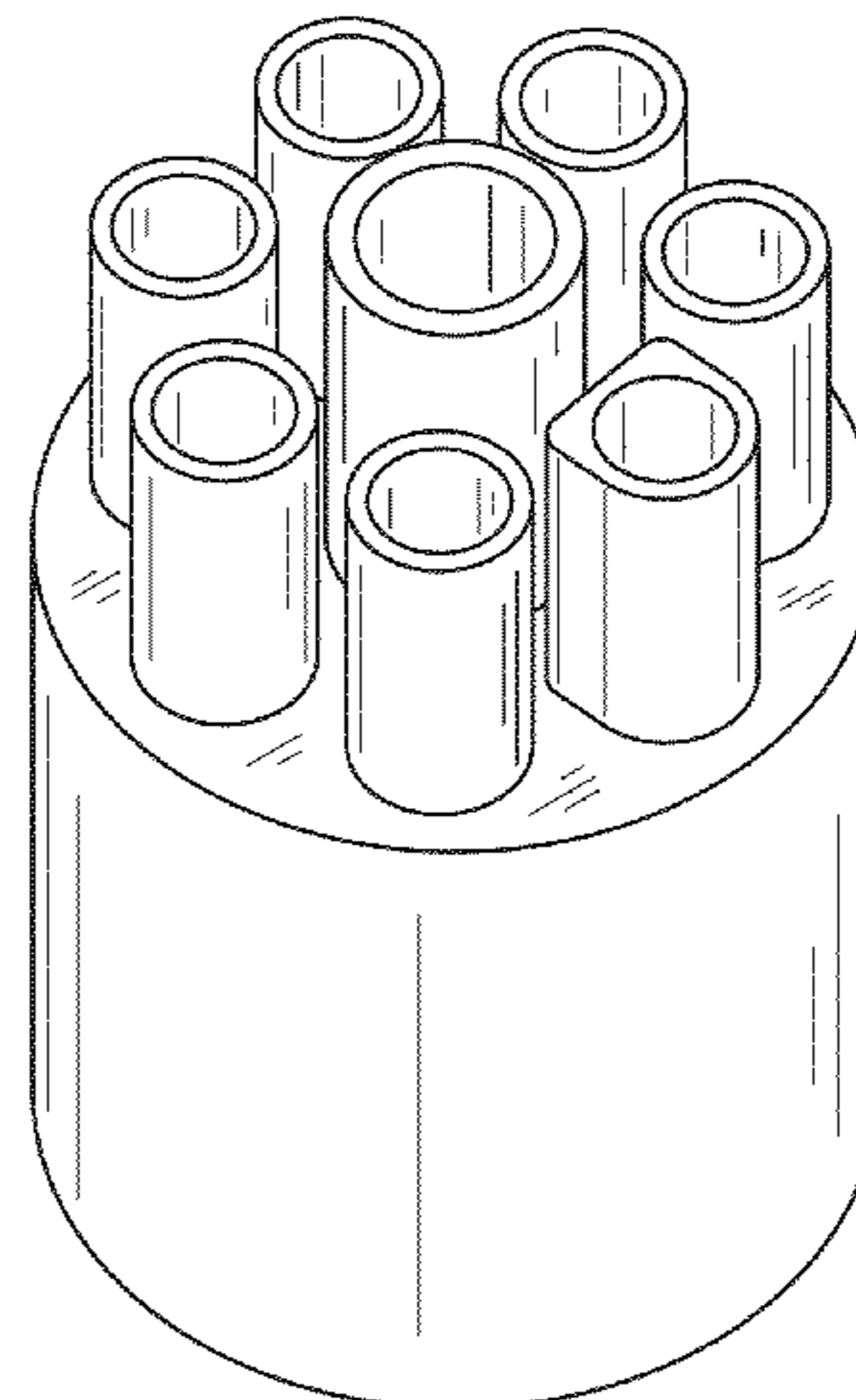
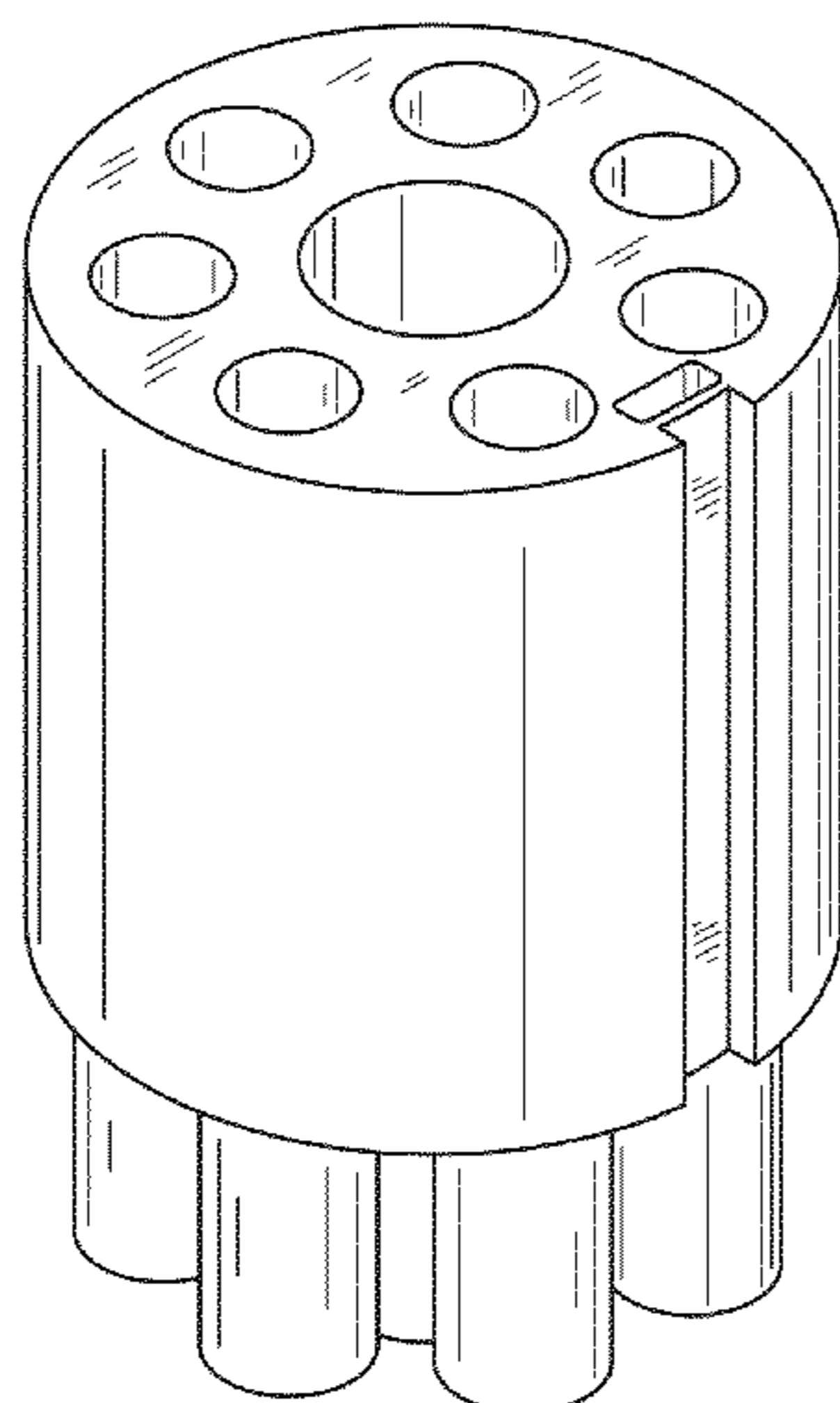
(57) **CLAIM**

The ornamental design for an electrical connector, as shown and described.

DESCRIPTION

FIG. 1 is a top perspective view of an electrical connector showing our new design;
FIG. 2 is bottom perspective view thereof;
FIG. 3 is a front elevation view thereof, the rear elevation view being a mirror image of the front elevation view;
FIG. 4 is a top plan view thereof;
FIG. 5 is a bottom plan view thereof;
FIG. 6 is a left side elevation view thereof; and,
FIG. 7 is a right side elevation view thereof.
The broken line in FIGS. 4 and 5 are included for the purpose of illustrating unclaimed environment only and forms no part of the claimed design.

1 Claim, 7 Drawing Sheets



(56)

References Cited

U.S. PATENT DOCUMENTS

D420,733 S 2/2000 Chen
 6,042,072 A 3/2000 Chi-Nan
 D424,680 S 5/2000 Wenzlick
 D430,330 S 8/2000 Hammar
 D441,119 S 4/2001 Crosby
 D441,483 S 5/2001 Schaefer et al.
 D442,315 S 5/2001 Schaefer et al.
 D453,216 S 1/2002 Gajewski
 D464,164 S 10/2002 Thompson
 D476,406 S 6/2003 Friedes
 D476,728 S 7/2003 Gajewski
 D478,974 S 8/2003 Hidalgo
 D485,002 S 1/2004 Lin
 D492,053 S 6/2004 Graves et al.
 6,877,703 B2 4/2005 Tang
 6,885,797 B2* 4/2005 Lee et al. 385/52
 D510,426 S 10/2005 Garcia, Jr.
 6,971,854 B2 12/2005 Krakowski
 D514,731 S 2/2006 Engel
 7,050,306 B1 5/2006 Ribeiro et al.
 7,080,813 B1 7/2006 Frampton et al.
 D530,039 S 10/2006 Blackman
 D541,970 S 5/2007 Blackman
 D544,441 S 6/2007 Sichner et al.
 D544,836 S 6/2007 Sichner et al.
 D545,762 S 7/2007 Sichner et al.
 7,261,520 B2 8/2007 Wang
 D559,785 S* 1/2008 Tosetti D13/147
 D564,123 S 3/2008 Porter
 D566,258 S 4/2008 Bucher et al.
 D571,736 S 6/2008 Copeland et al.
 D587,656 S* 3/2009 Shen et al. D13/154
 D590,489 S 4/2009 Bucher et al.
 7,527,232 B2 5/2009 Frampton et al.
 D593,962 S 6/2009 Ross et al.
 D597,198 S 7/2009 Parker et al.
 D599,461 S 9/2009 Ertze
 D601,092 S* 9/2009 Rupp et al. D13/147
 D605,128 S* 12/2009 Gribble et al. D13/147
 D605,751 S 12/2009 Yang
 D608,737 S* 1/2010 Upham et al. D13/147
 D609,799 S 2/2010 Lee
 7,665,967 B1 2/2010 Parker et al.
 D611,136 S 3/2010 Orozco
 D615,183 S 5/2010 Parker et al.
 D625,252 S 10/2010 Nguyen et al.
 D627,051 S 11/2010 Pan
 D628,687 S 12/2010 Yao
 7,874,860 B2* 1/2011 Starke et al. 439/320

D631,955 S 2/2011 Villella et al.
 7,927,071 B2 4/2011 Parker et al.
 7,969,744 B2 6/2011 Mathes et al.
 D645,135 S 9/2011 Orozco
 8,107,243 B2 1/2012 Guccione et al.
 D660,806 S 5/2012 Wong
 D660,953 S 5/2012 Allen et al.
 D663,829 S 7/2012 Allen et al.
 8,241,017 B2 8/2012 Yamamoto et al.
 D675,570 S* 2/2013 Muller D13/147
 D676,388 S* 2/2013 Muller D13/147
 D679,794 S 4/2013 Allen et al.
 D679,795 S 4/2013 Allen et al.
 D696,209 S* 12/2013 Allen et al. D13/162
 2005/0006549 A1 1/2005 Liu
 2008/0224013 A1 9/2008 Huang
 2008/0260345 A1* 10/2008 Mertesdorf et al. 385/137
 2009/0034165 A1 2/2009 Tyler et al.
 2009/0141458 A1 6/2009 Liu et al.
 2009/0294620 A1 12/2009 Lin
 2011/0031367 A1 2/2011 Wang
 2011/0031368 A1 2/2011 Wang
 2011/0052411 A1 3/2011 Yamamoto et al.
 2011/0103025 A1 5/2011 Ross et al.
 2011/0305571 A1 12/2011 Heim et al.
 2012/0070223 A1 3/2012 Wimberley
 2012/0162929 A1 6/2012 Huang
 2012/0307459 A1 12/2012 Sakuma et al.
 2013/0136603 A1 5/2013 Kuramochi et al.
 2013/0272879 A1 10/2013 Chen

OTHER PUBLICATIONS

U.S. Appl. No. 29/424,183, filed Jun. 8, 2012, Allen et al.
 U.S. Appl. No. 29/424,184, filed Jun. 8, 2012, Allen et al.
 U.S. Appl. No. 29/424,186, filed Jun. 8, 2012, Allen et al.
 U.S. Appl. No. 29/424,188, filed Jun. 8, 2012, Allen et al.
 U.S. Appl. No. 29/424,189, filed Jun. 8, 2012, Allen et al.
 U.S. Appl. No. 29/424,191, filed Jun. 8, 2012, Allen et al.
 U.S. Appl. No. 29/424,193, filed Jun. 8, 2012, Allen et al.
 U.S. Appl. No. 29/424,194, filed Jun. 8, 2012, Allen et al.
 Official Action for U.S. Appl. No. 29/424,186 mailed Dec. 20, 2013, 10 pages.
 Notice of Allowance for U.S. Appl. No. 29/424,189 mailed Dec. 17, 2013, 12 pages.
 Official Action for U.S. Appl. No. 29/424,193 mailed Nov. 27, 2013, 7 pages.
 Notice of Allowance for U.S. Appl. No. 29/424,194 mailed Feb. 14, 2014, 8 pages.

* cited by examiner

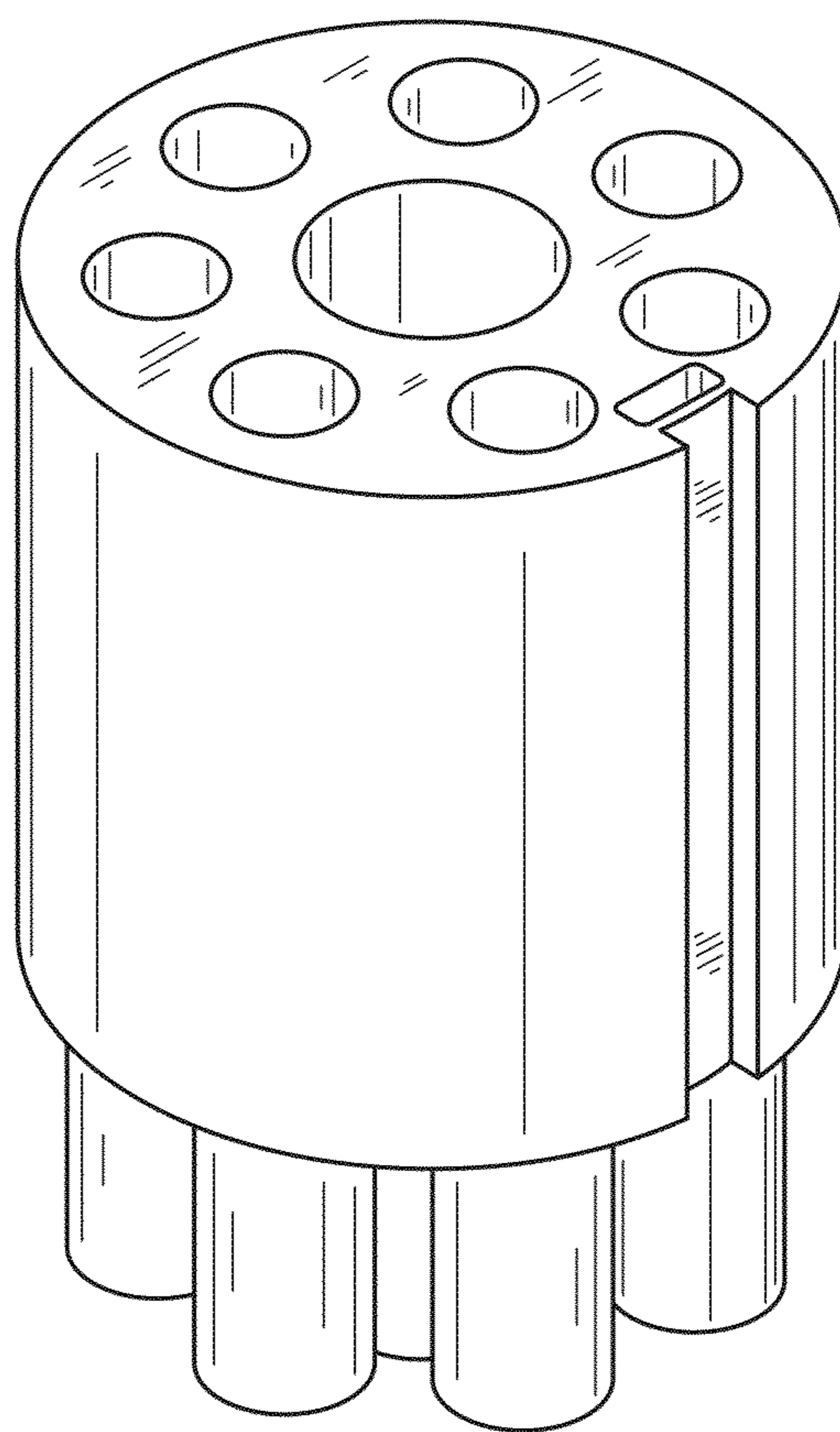


FIG.1

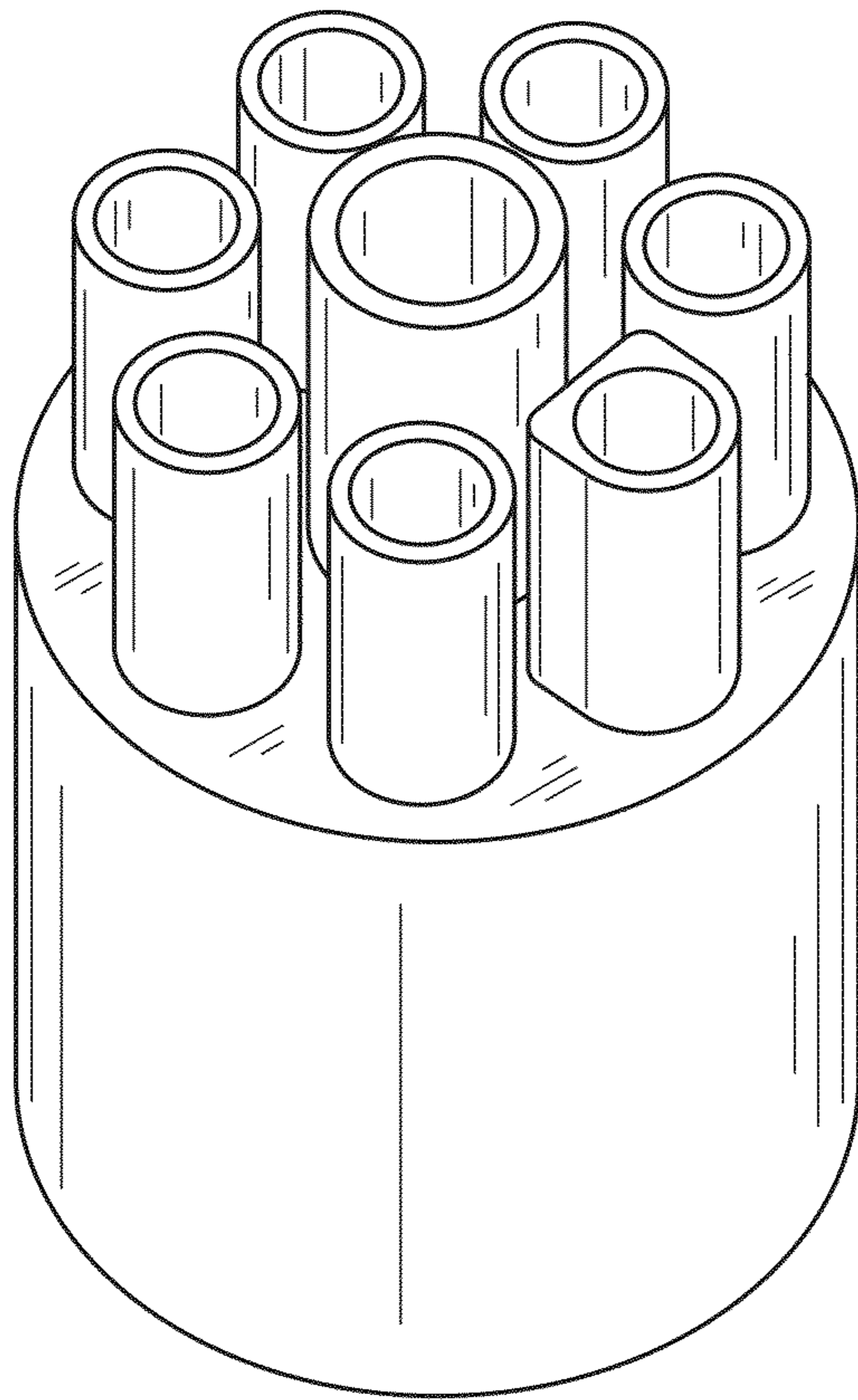


FIG.2

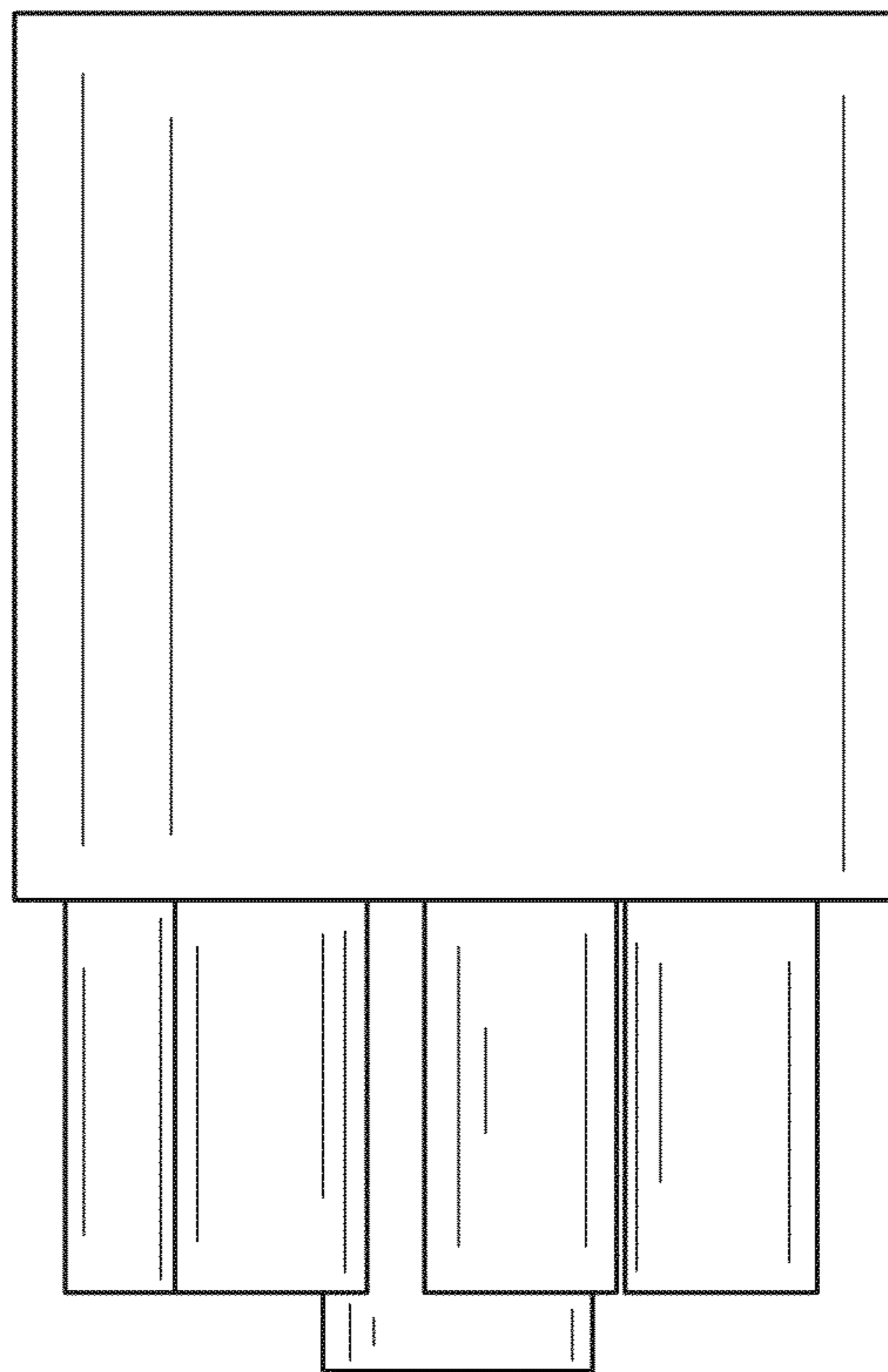


FIG. 3

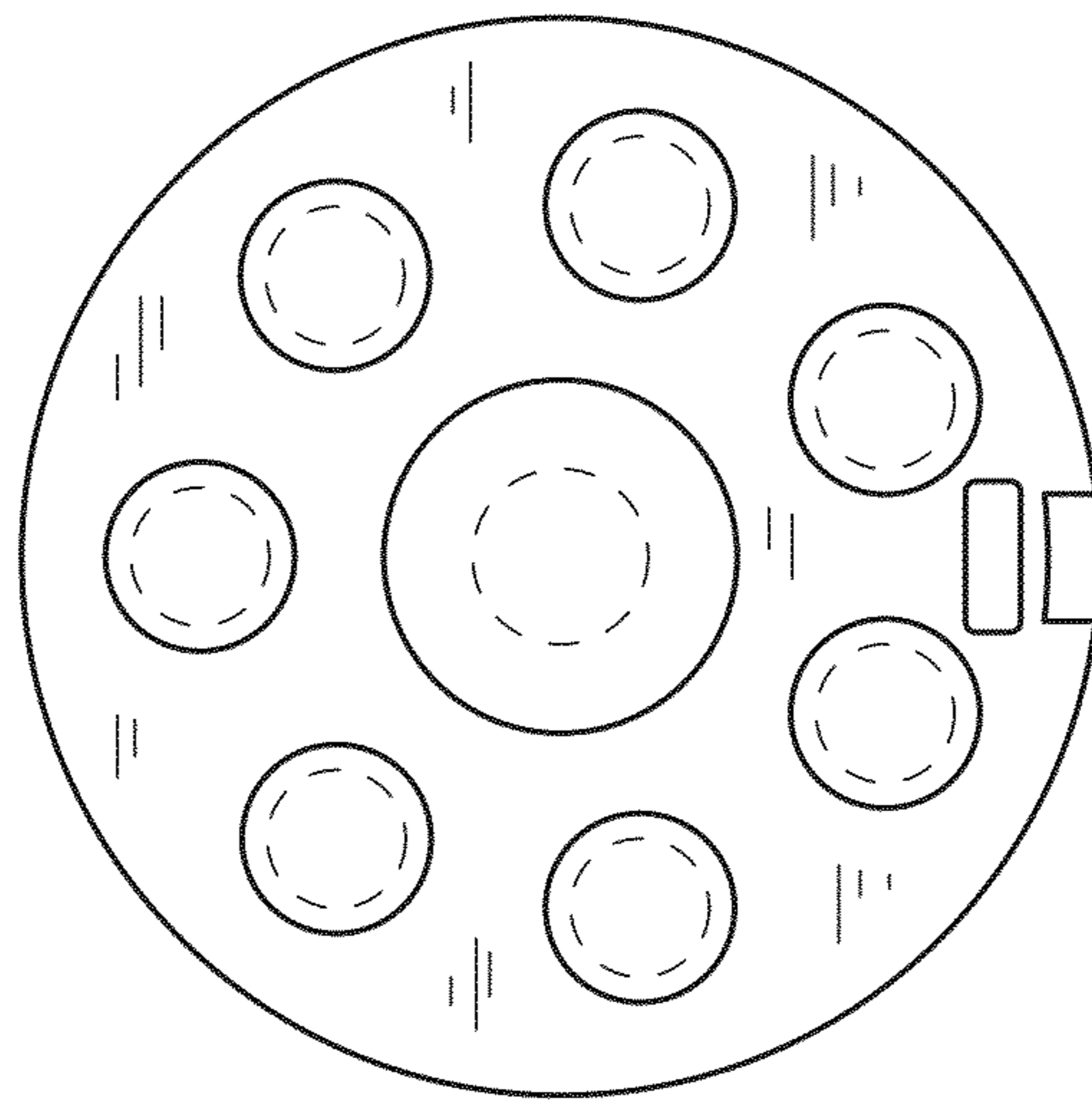


FIG.4

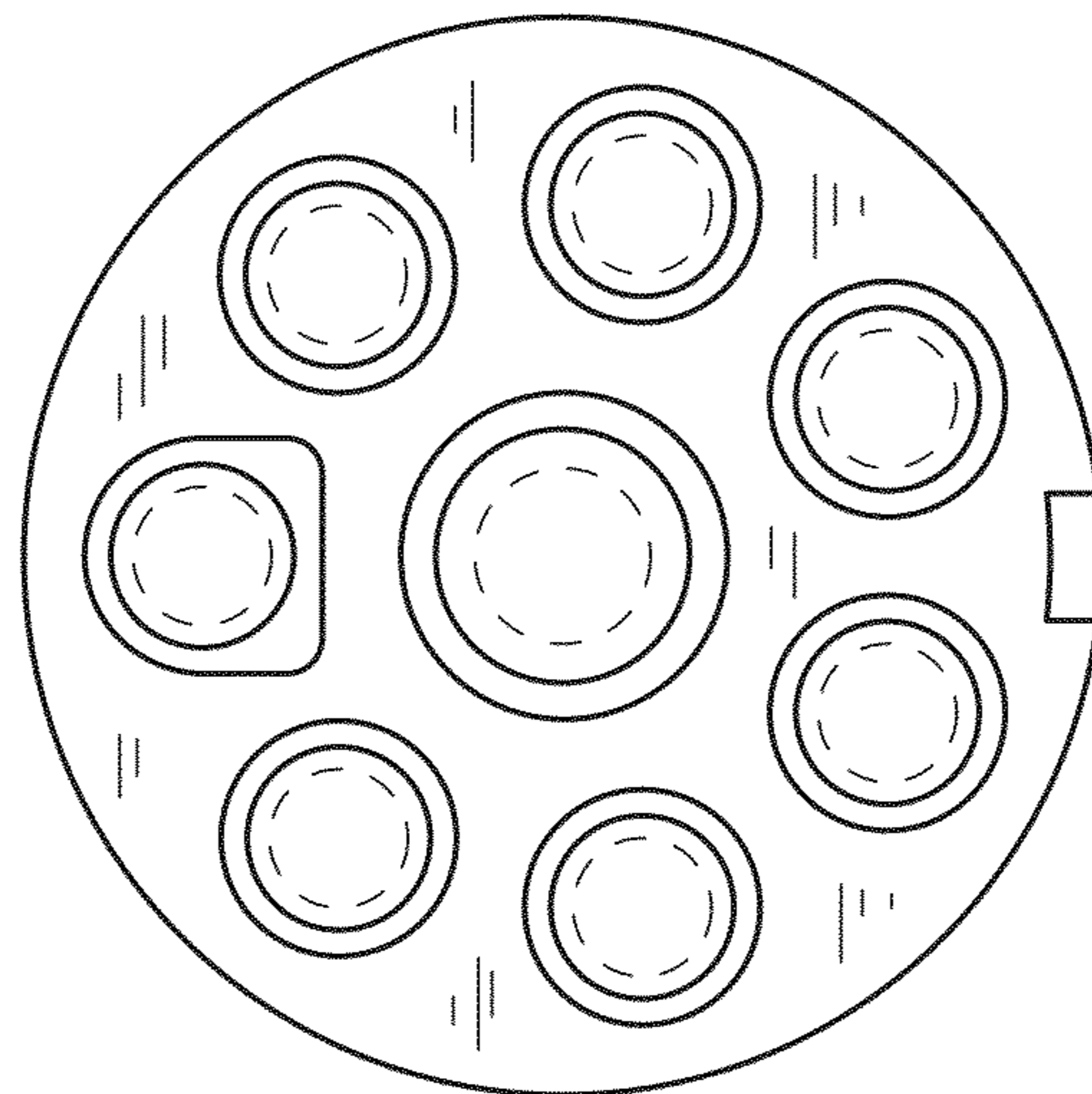


FIG.5

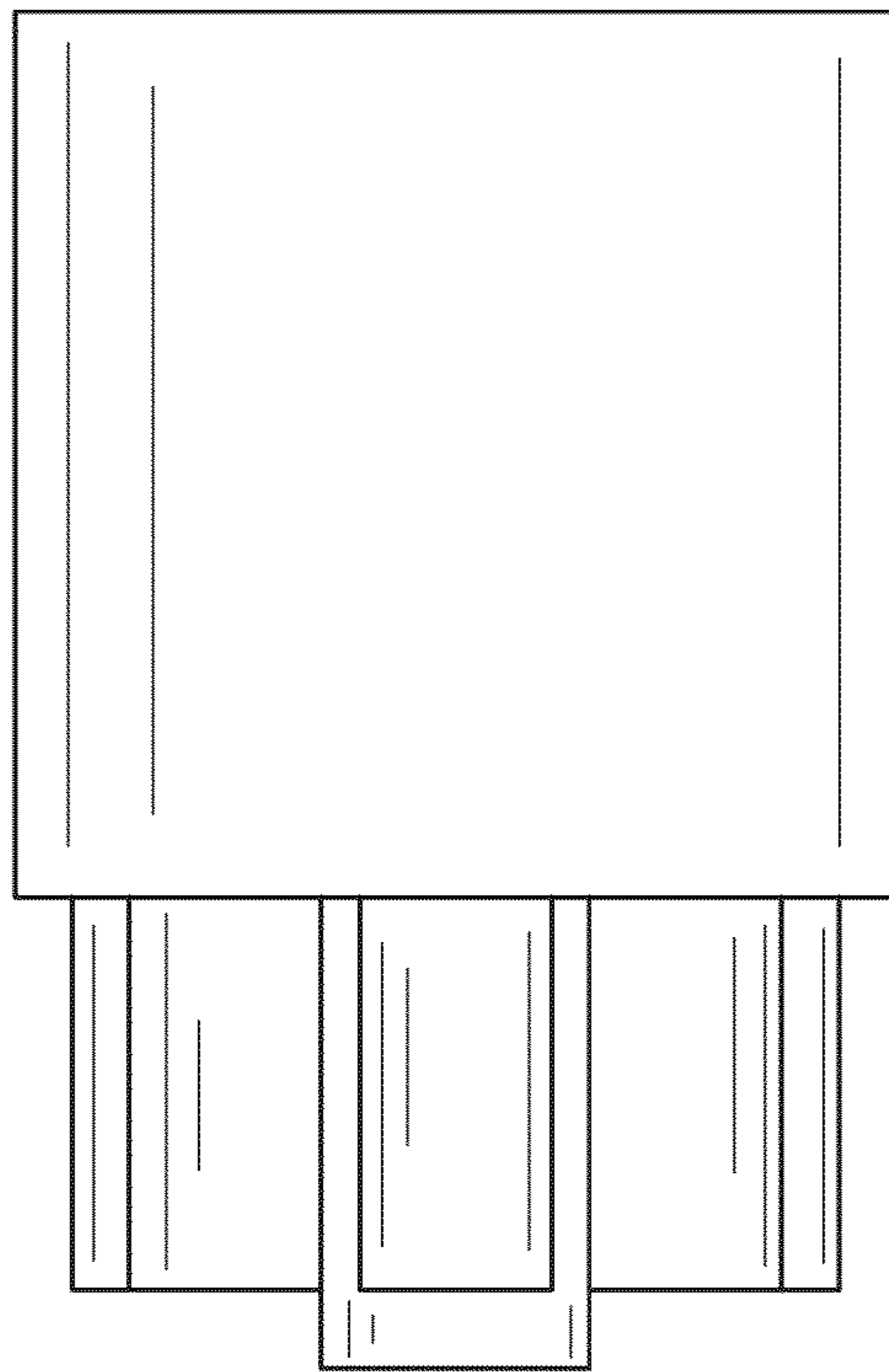


FIG.6

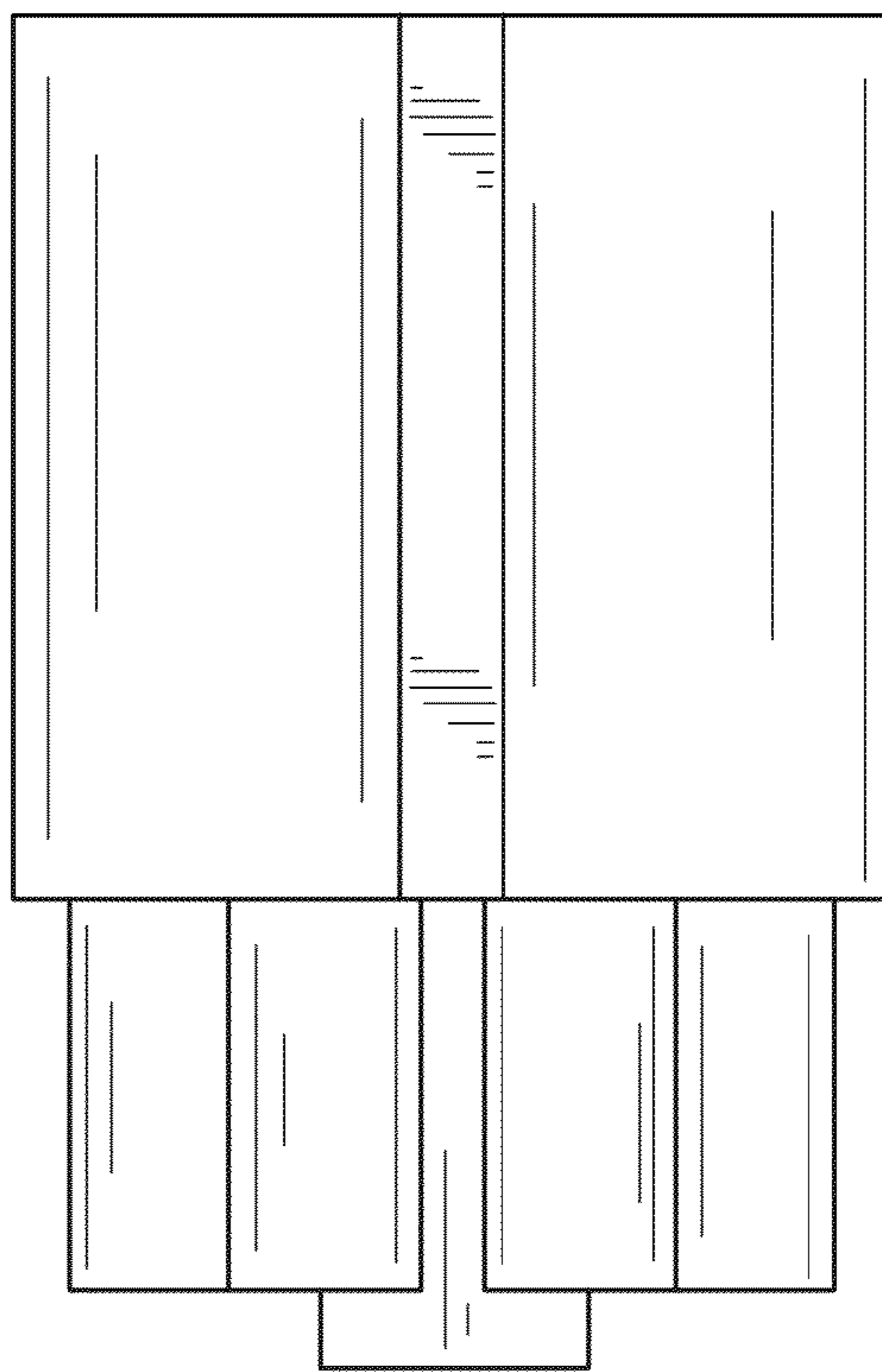


FIG.7