



US00D712357S

(12) **United States Design Patent**
Osaki et al.

(10) **Patent No.:** **US D712,357 S**
(45) **Date of Patent:** **** Sep. 2, 2014**

(54) **COAXIAL CONNECTOR**

- (71) Applicant: **Murata Manufacturing Co., Ltd.**,
Nagaokakyo (JP)
- (72) Inventors: **Yoshihiro Osaki**, Nagaokakyo (JP);
Chikara Uratani, Nagaokakyo (JP)
- (73) Assignee: **Murata Manufacturing Co., Ltd.**,
Nagaokakyo-Shi, Kyoto-fu (JP)

- (**) Term: **14 Years**
- (21) Appl. No.: **29/437,214**
- (22) Filed: **Nov. 14, 2012**

(30) **Foreign Application Priority Data**

- Jun. 7, 2012 (JP) 2012-013566
- (51) **LOC (10) Cl.** **13-03**
- (52) **U.S. Cl.**
USPC **D13/133**

- (58) **Field of Classification Search**
USPC 439/63, 180, 188, 246, 252, 274, 278,
439/381, 527, 529, 533, 578, 581, 583, 584,
439/585, 607, 842, 852, 854-857, 892, 894
See application file for complete search history.

(56) **References Cited**

U.S. PATENT DOCUMENTS

- 7,726,992 B2 * 6/2010 Wang et al. 439/188
- 7,794,253 B2 * 9/2010 Wang et al. 439/188
- D680,494 S * 4/2013 Hirakawa D13/133
- D683,313 S * 5/2013 Hirakawa et al. D13/133
- 2010/0130028 A1 * 5/2010 Hoshiba et al. 439/63
- 2010/0227481 A1 * 9/2010 Liao et al. 439/63
- 2012/0289084 A1 * 11/2012 Hirakawa 439/578

FOREIGN PATENT DOCUMENTS

- JP D1335070 7/2008
- JP D1337788 8/2008
- JP D1350404 2/2009
- JP D1385612 4/2010
- JP 2010-238523 A 10/2010
- JP D1447707 8/2012
- TW D130460 8/2009
- WO WO-2009/157220 A1 12/2009

OTHER PUBLICATIONS

U.S. Appl. No. 29/413,065, Murata Manufacturing Co., Ltd.

* cited by examiner

Primary Examiner — Thomas Johannes

(74) *Attorney, Agent, or Firm* — Dickstein Shapiro LLP

(57) **CLAIM**

The ornamental design for a coaxial connector, as shown and described.

DESCRIPTION

FIG. 1 is a front view of a coaxial connector showing our new design;
 FIG. 2 is a rear view thereof;
 FIG. 3 is a top plan view thereof;
 FIG. 4 is a bottom plan view thereof;
 FIG. 5 is a right side view thereof;
 FIG. 6 is a left side view thereof;
 FIG. 7 is a top perspective view thereof; and,
 FIG. 8 is a bottom perspective view thereof.
 The broken line portions in the figures are included to show unclaimed subject matter only and form no part of the claimed design.

1 Claim, 4 Drawing Sheets

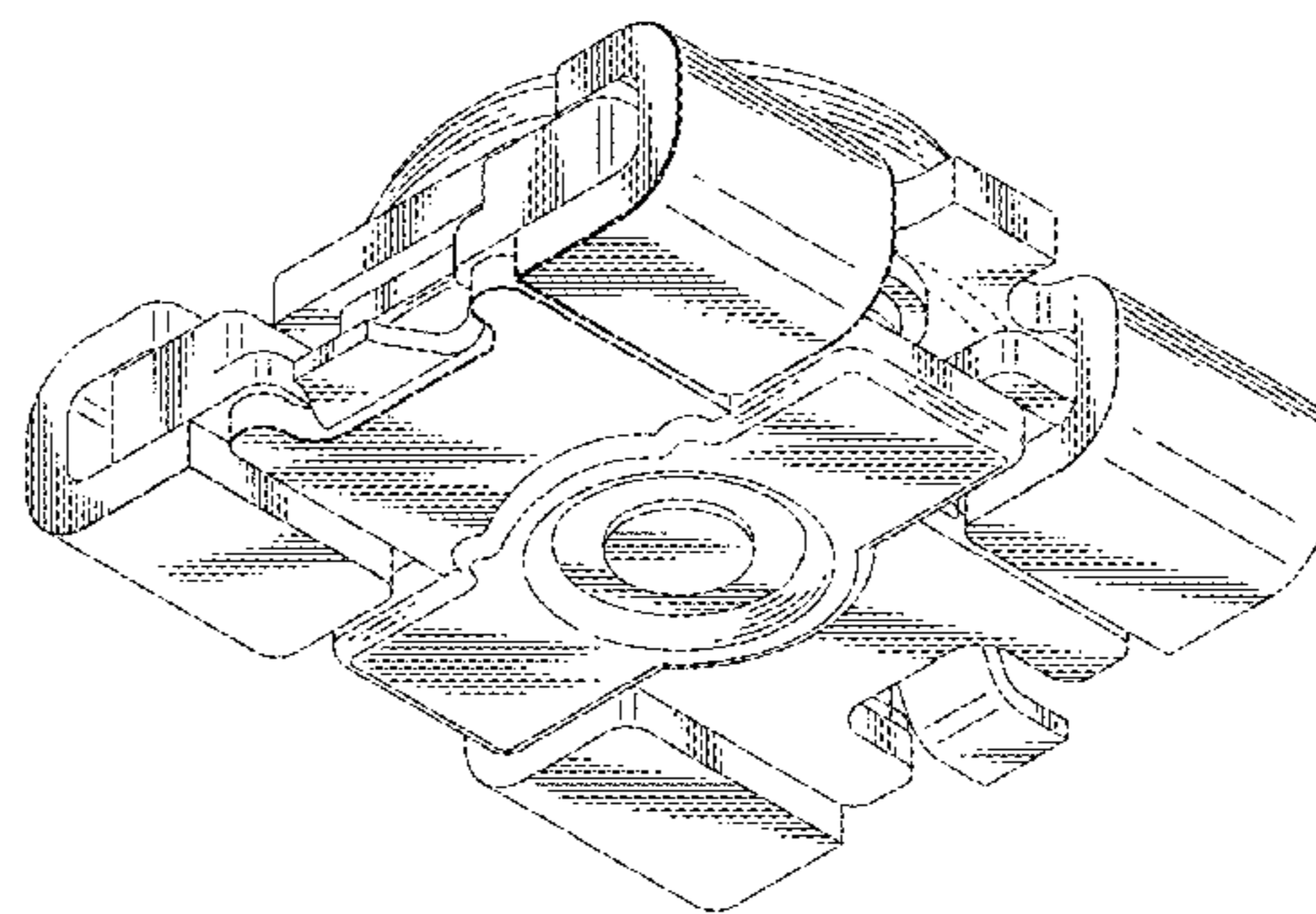
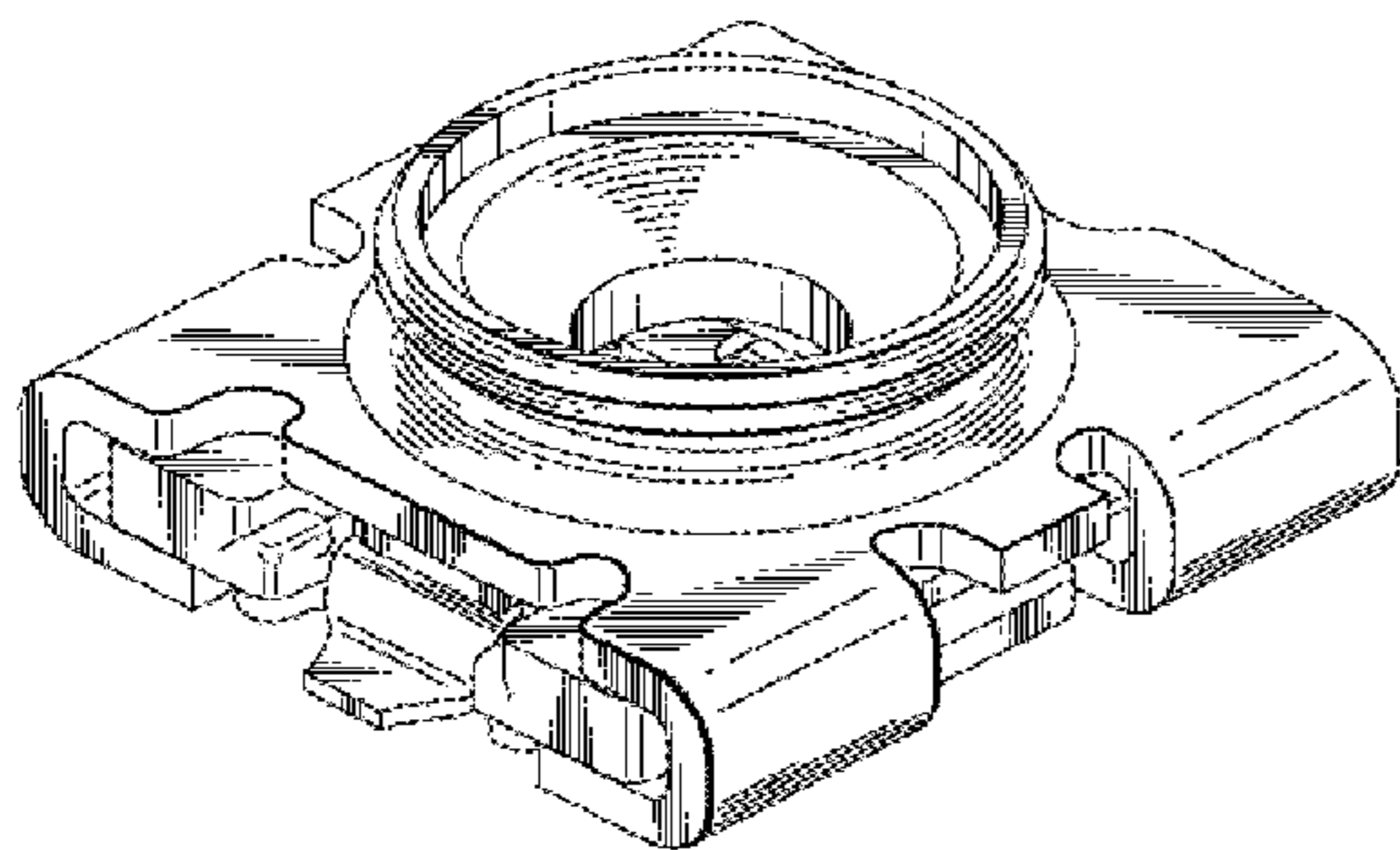


FIG. 1

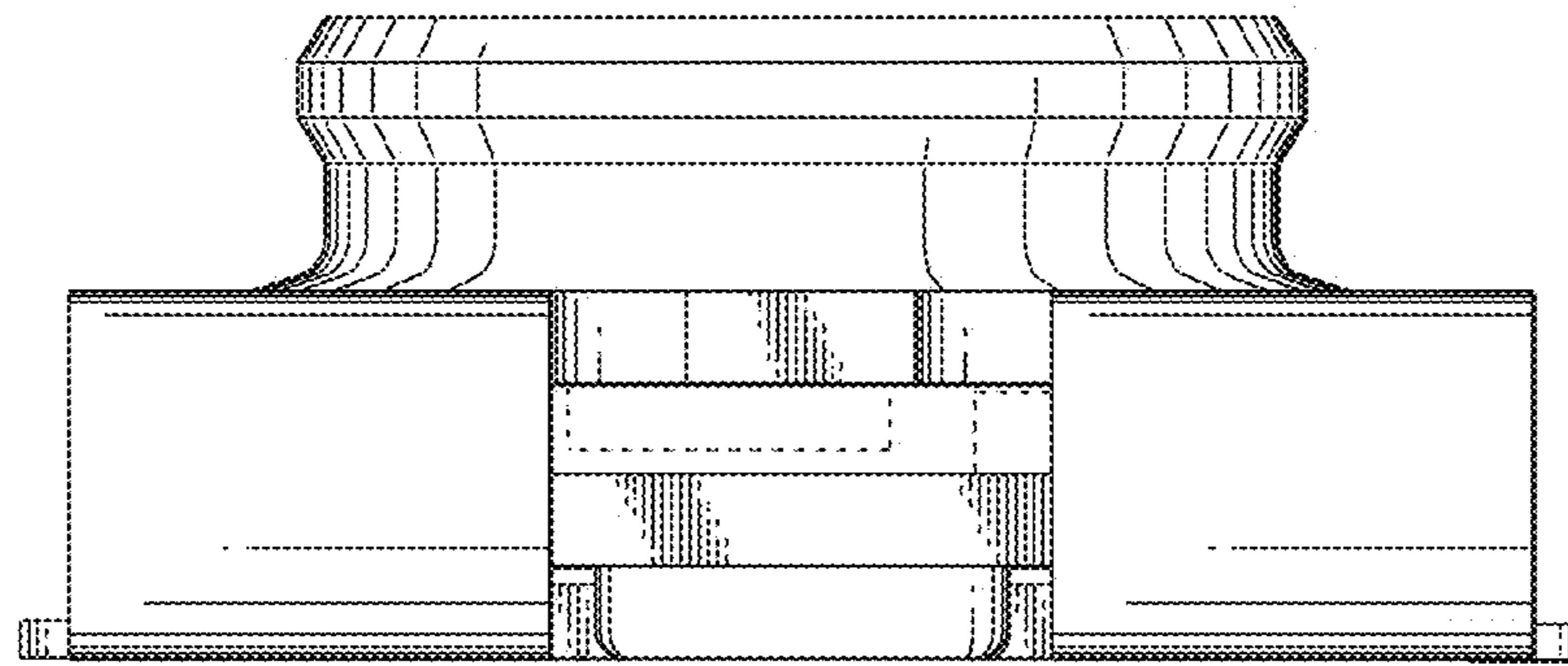


FIG. 2

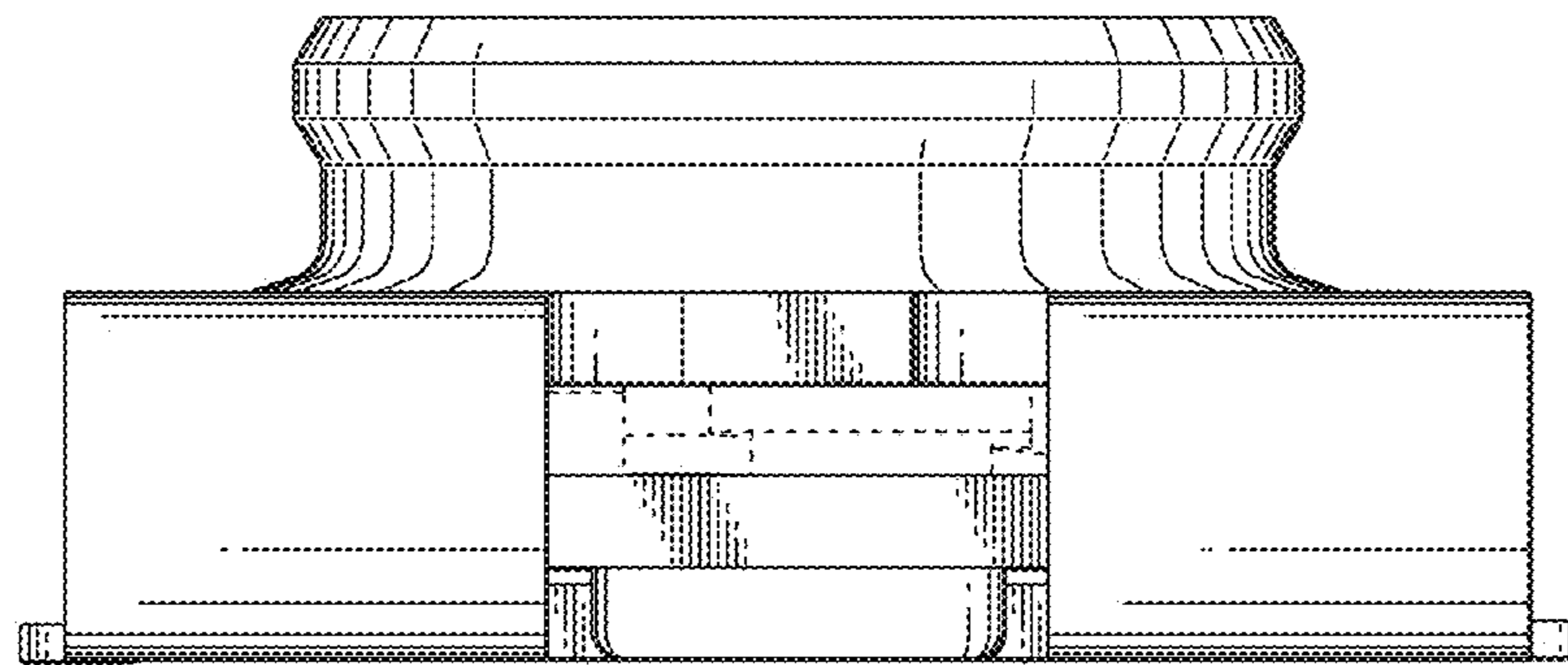


FIG.3

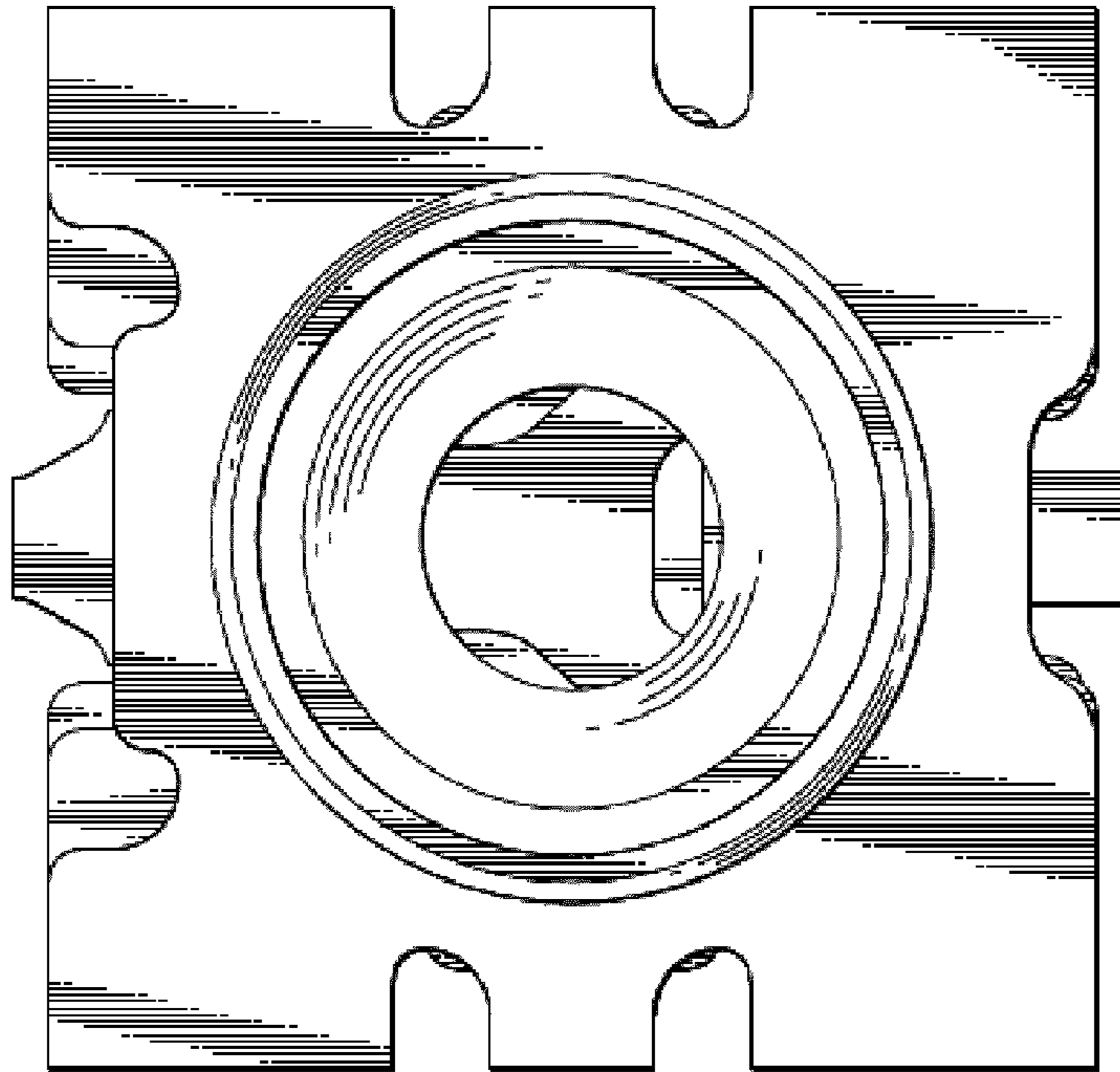


FIG.4

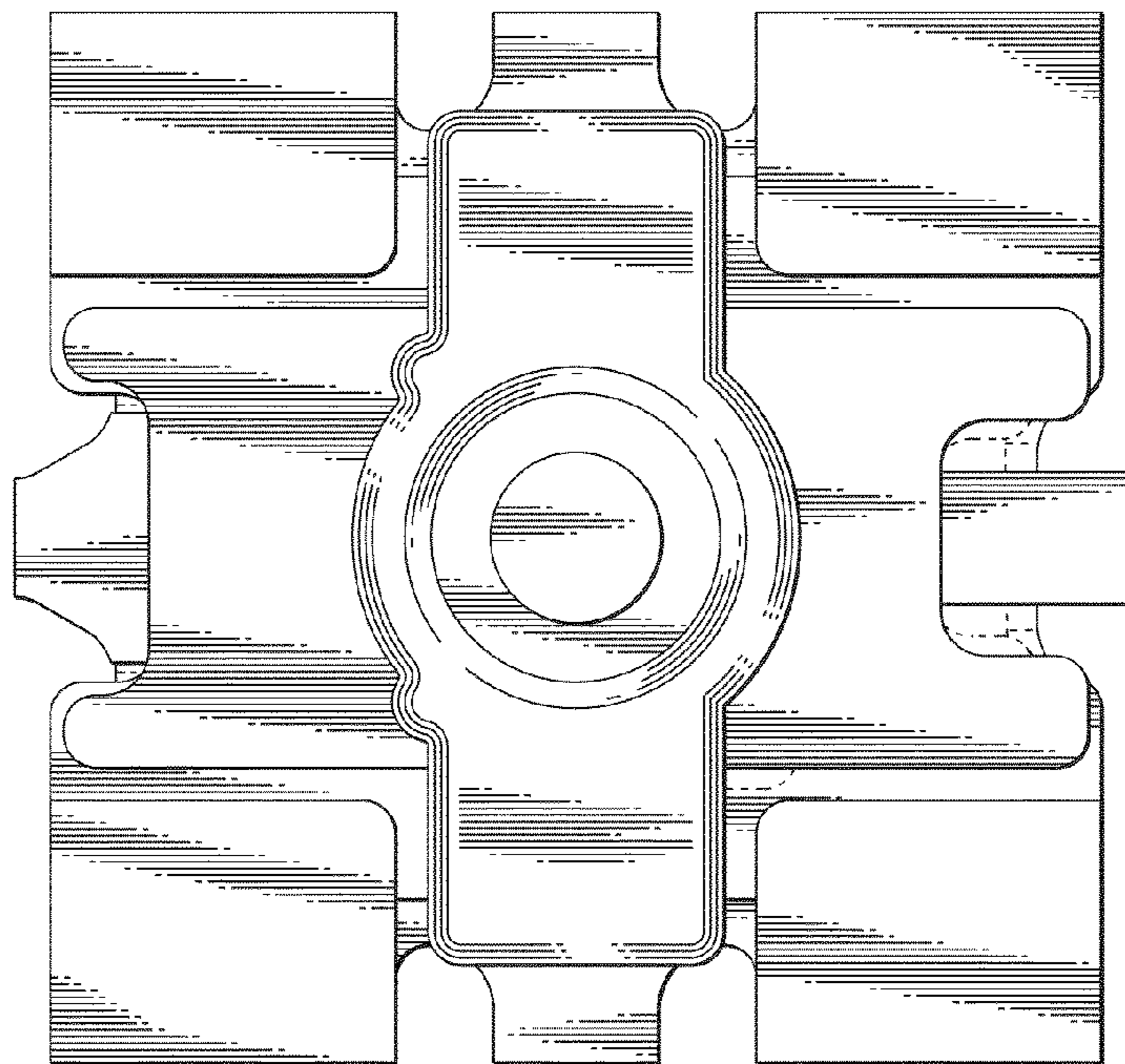


FIG.5

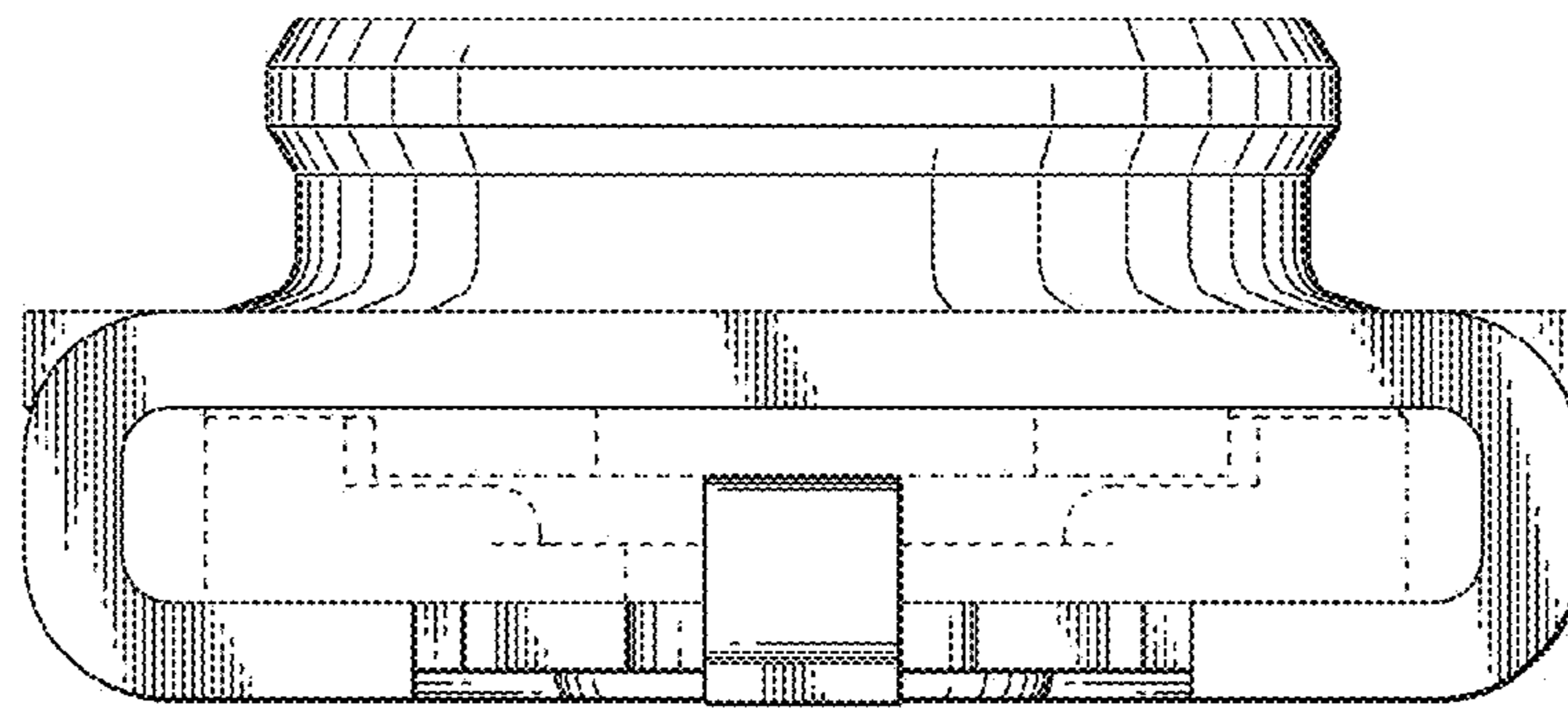


FIG.6

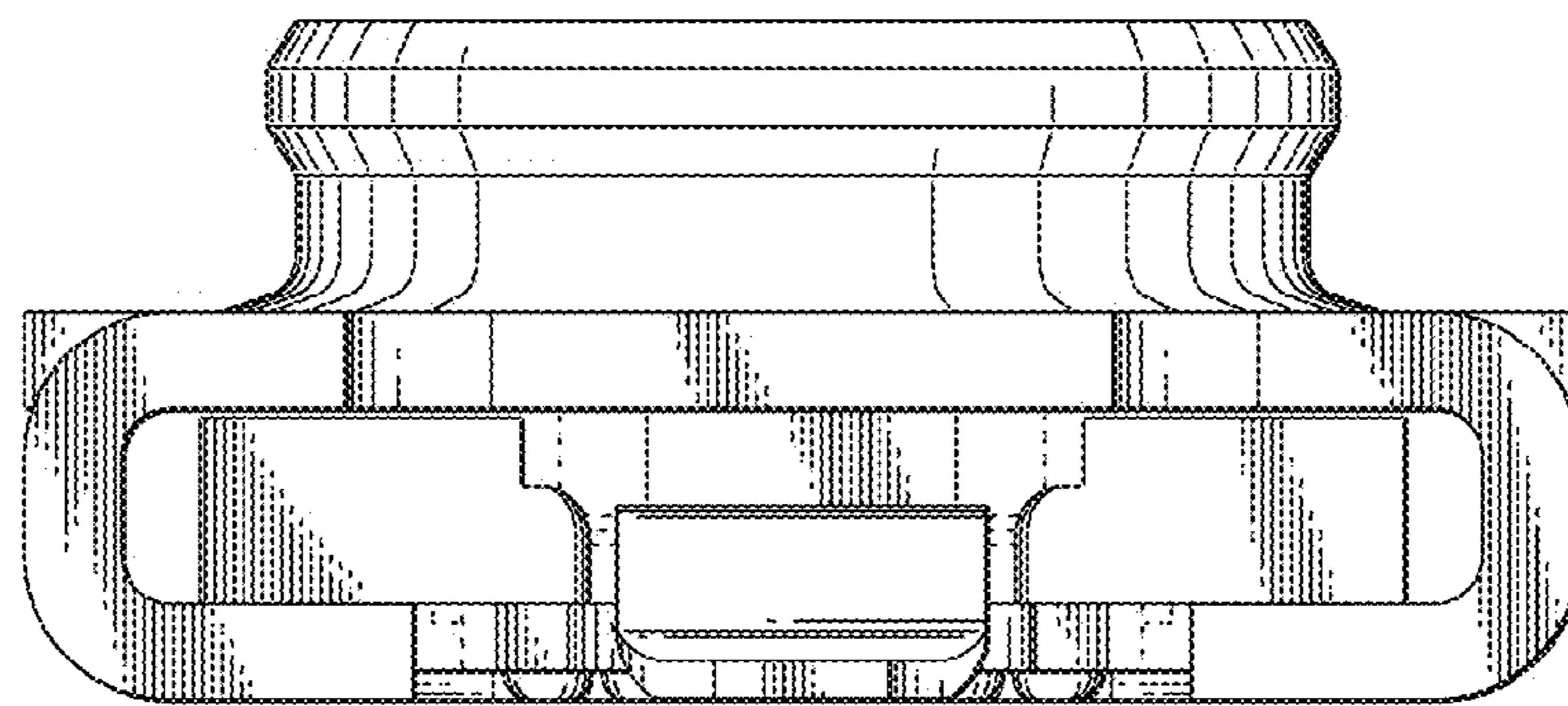


FIG. 7

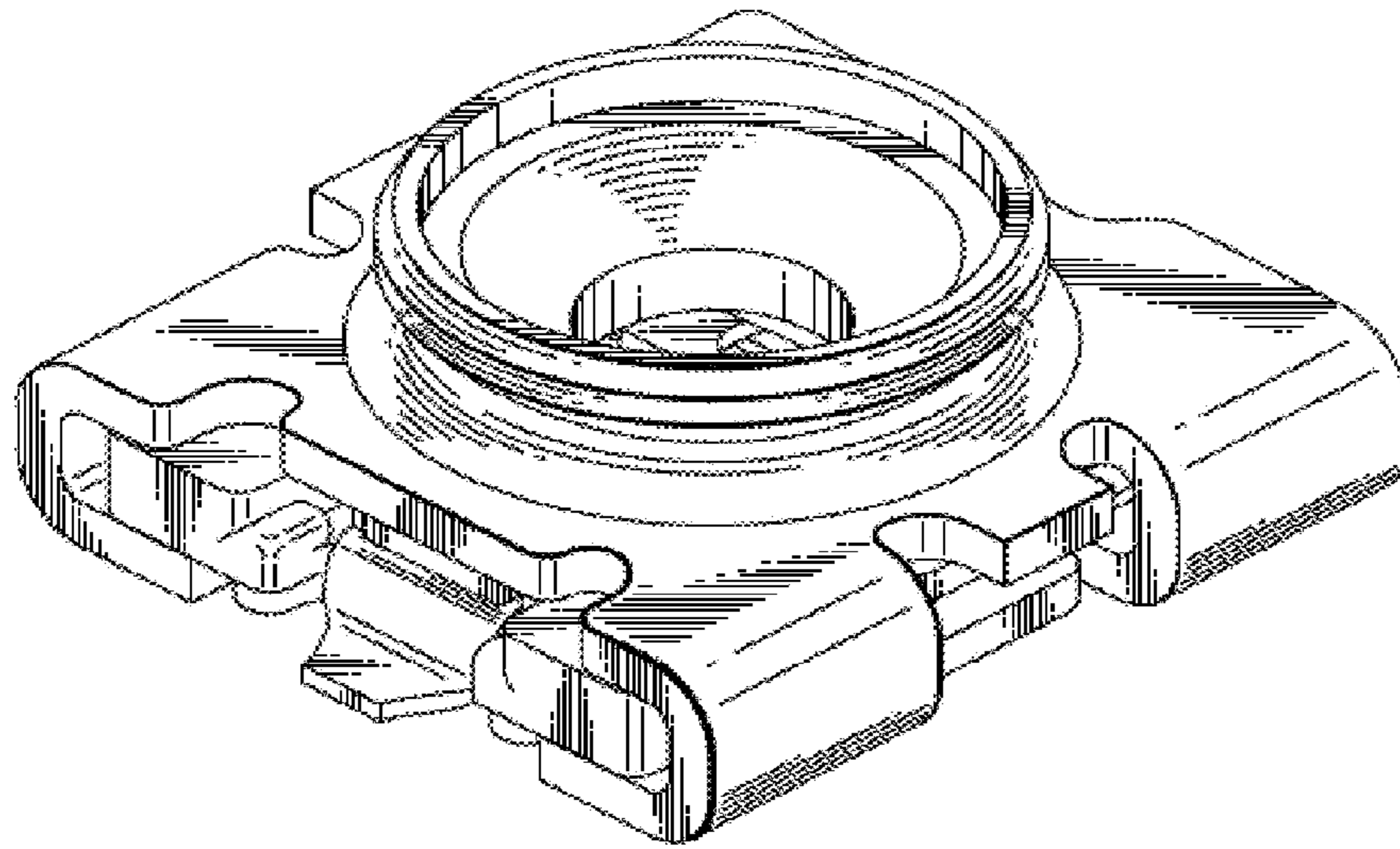


FIG. 8

