



US00D712356S

(12) **United States Design Patent**
Windom

(10) **Patent No.:** **US D712,356 S**

(45) **Date of Patent:** **** Sep. 2, 2014**

(54) **BATTERY CARTRIDGE**

(75) **Inventor:** **Gregory David Windom**, Portland, OR
(US)

(73) **Assignee:** **Coast Cutlery Co.**, Portland, OR (US)

(**) **Term:** **14 Years**

(21) **Appl. No.:** **29/419,921**

(22) **Filed:** **May 2, 2012**

(51) **LOC (10) Cl.** **13-02**

(52) **U.S. Cl.**
USPC **D13/119**

(58) **Field of Classification Search**
USPC D13/103–109, 110–116, 118–122;
320/110–113; 429/96–100, 163,
429/175–176, 187; D26/113; 439/500
See application file for complete search history.

(56) **References Cited**

U.S. PATENT DOCUMENTS

267,025	A	*	11/1882	See	429/100
D231,990	S	*	7/1974	Peasley	D13/119
3,859,140	A	*	1/1975	Schmidt	429/99
D361,980	S	*	9/1995	Chen	D13/119
D408,351	S	*	4/1999	Shim	D13/103
D409,559	S	*	5/1999	Shim	D13/103
D448,340	S	*	9/2001	Hall et al.	D13/119
D468,259	S	*	1/2003	Garrity et al.	D13/119
D528,070	S	*	9/2006	Tang	D13/103
D528,974	S	*	9/2006	Tang	D13/103

D541,213	S	*	4/2007	Tang	D13/103
D637,156	S	*	5/2011	Yoon	D13/119
2010/0231142	A1	*	9/2010	Yoon	429/99

* cited by examiner

Primary Examiner — Eric Goodman

Assistant Examiner — Brett Miller

(74) *Attorney, Agent, or Firm* — Schwabe, Williamson & Wyatt, P.C.

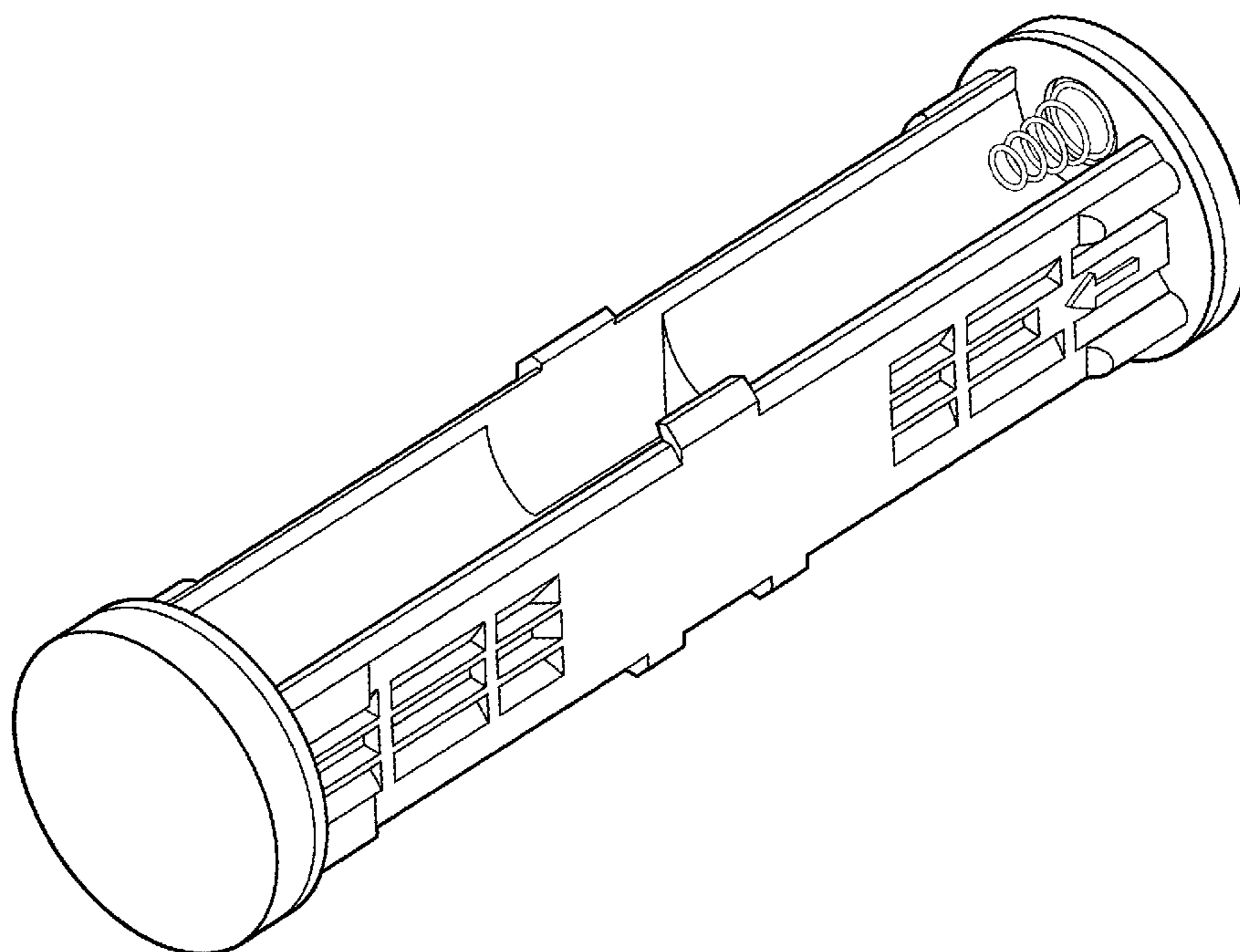
(57) **CLAIM**

I claim the ornamental design for a battery cartridge, as shown and described.

DESCRIPTION

FIG. 1 is a perspective view of a battery cartridge;
 FIG. 2 is a different perspective view of the battery cartridge illustrated in FIG. 1;
 FIG. 3 is a top view of the battery cartridge illustrated in FIG. 1, the bottom view being a mirror image of the top view;
 FIG. 4 is a right side view of the flashlight illustrated in FIG. 1, the left side view being a mirror image of the right side view;
 FIG. 5 is an enlarged front view of the battery cartridge illustrated in FIG. 1;
 FIG. 6 is an enlarged rear view of the battery cartridge illustrated in FIG. 1.
 FIG. 7 is a transverse, cross-sectional view taken in the direction of the line 7-7 of FIG. 3; and,
 FIG. 8 is a transverse, cross-sectional view taken in the direction of the line 8-8 of FIG. 5.

1 Claim, 5 Drawing Sheets



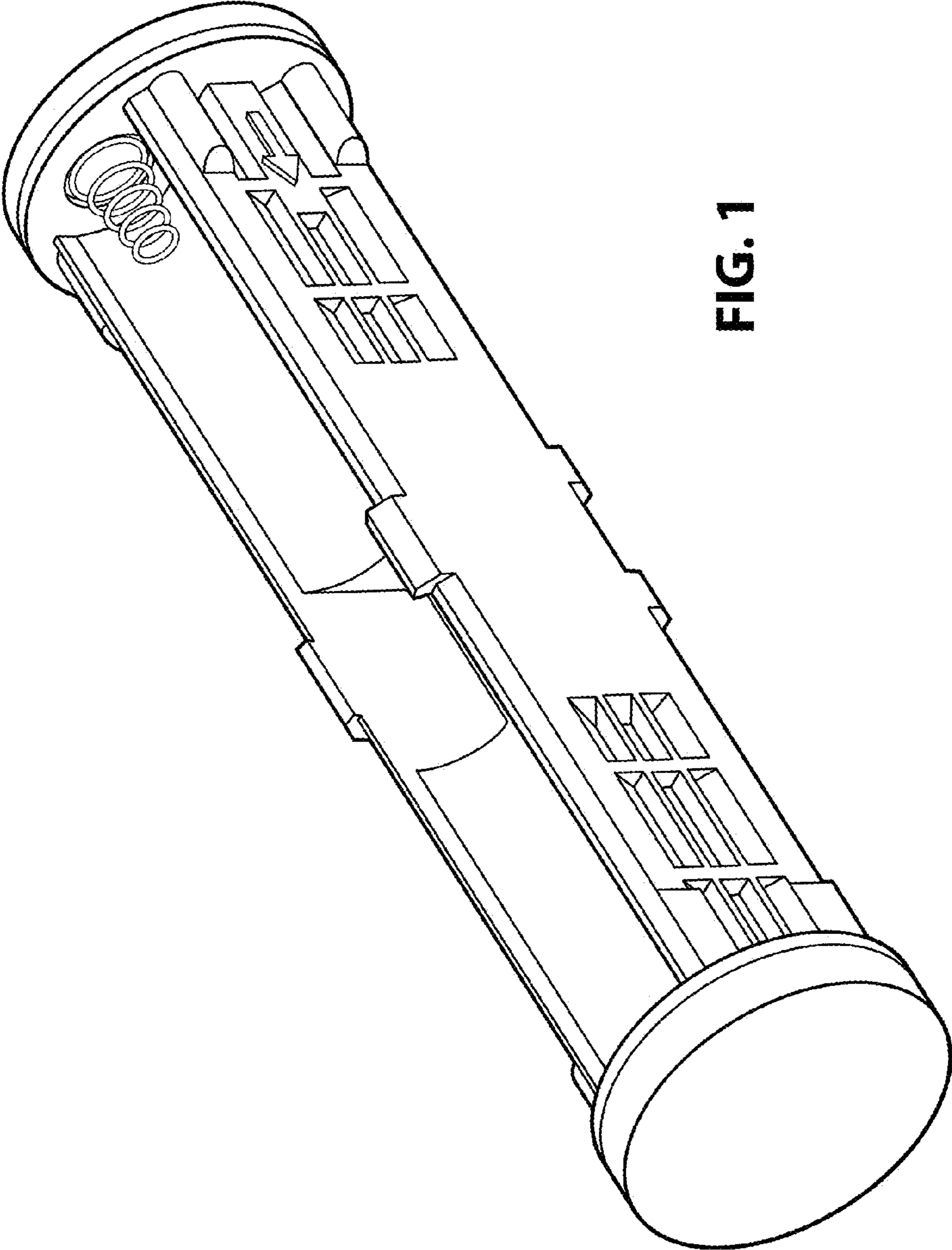


FIG. 1

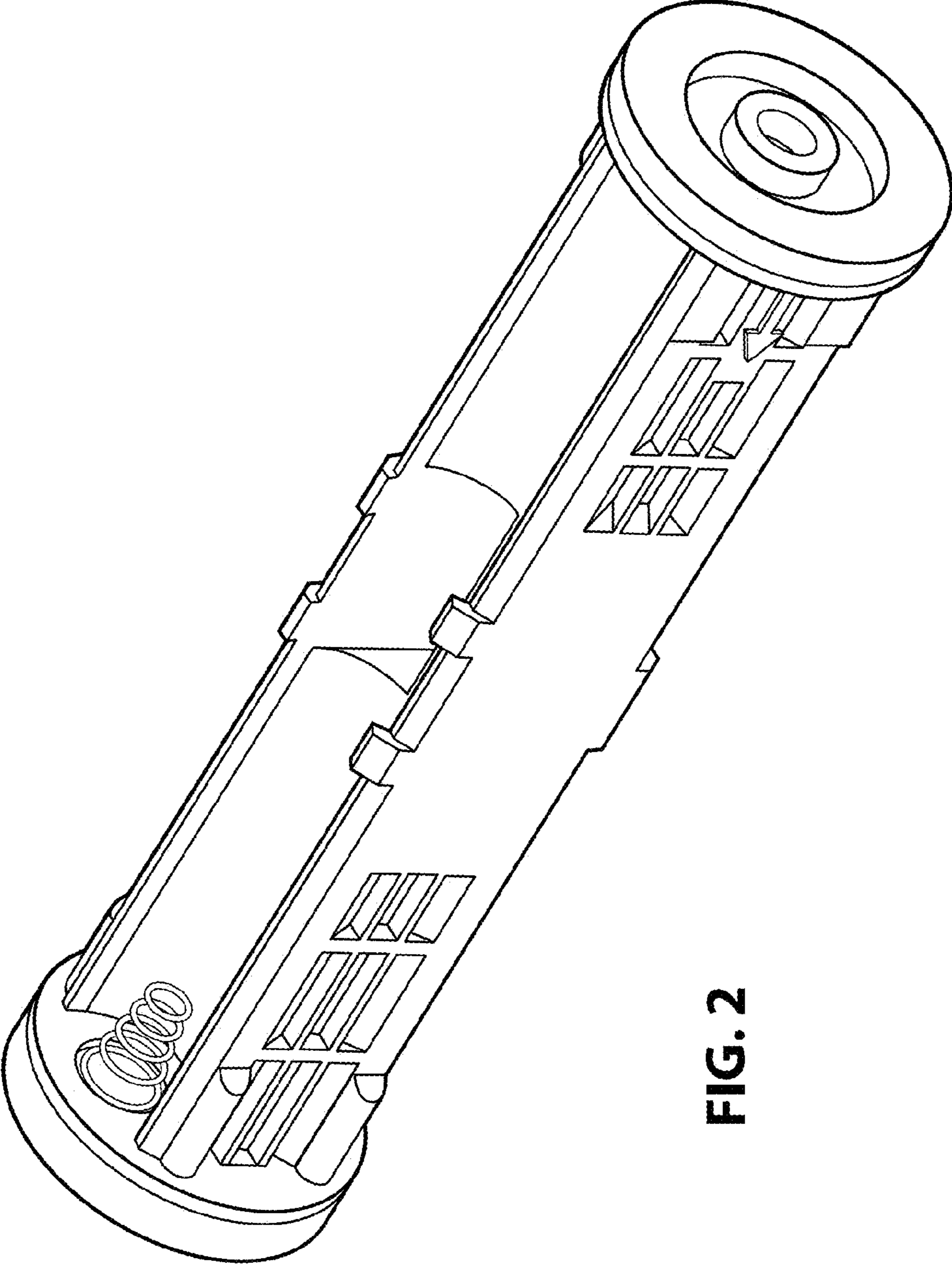


FIG. 2

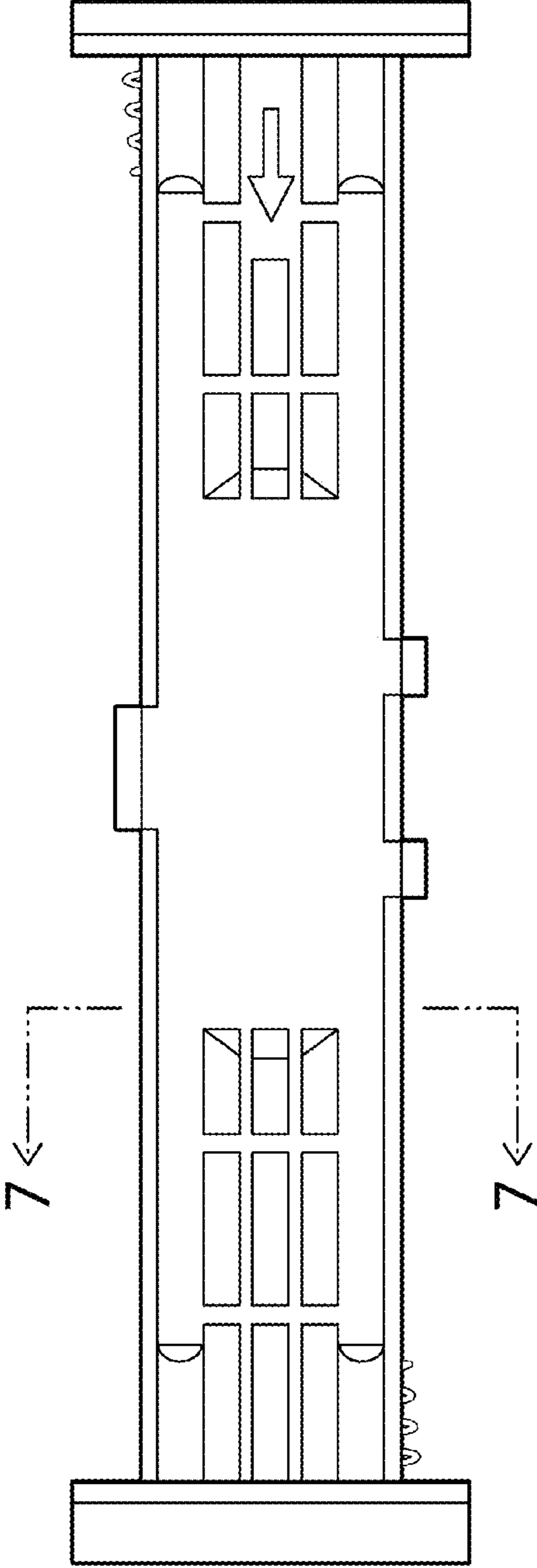


FIG. 3

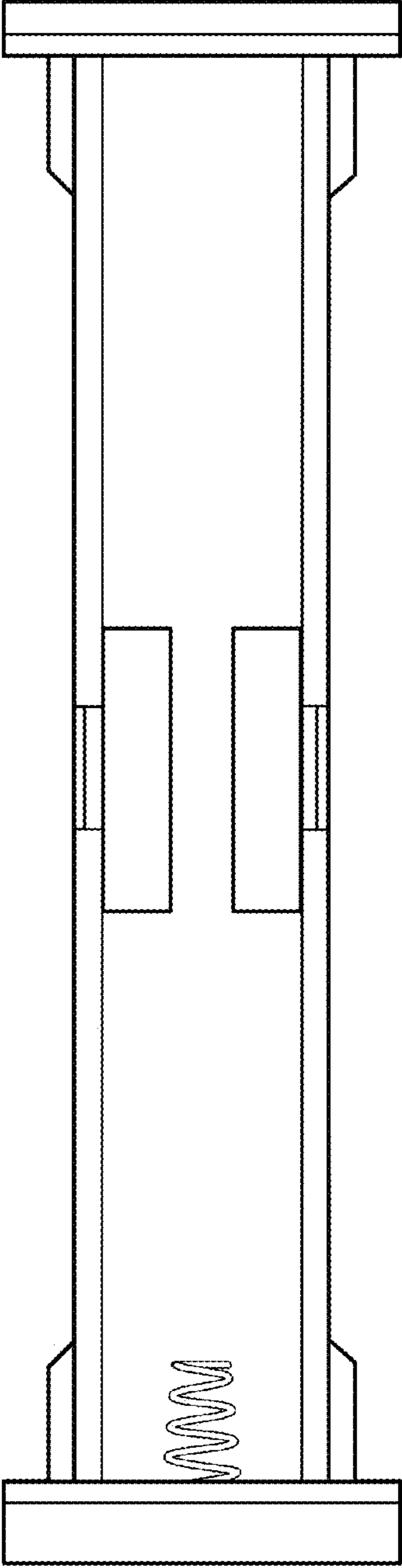


FIG. 4

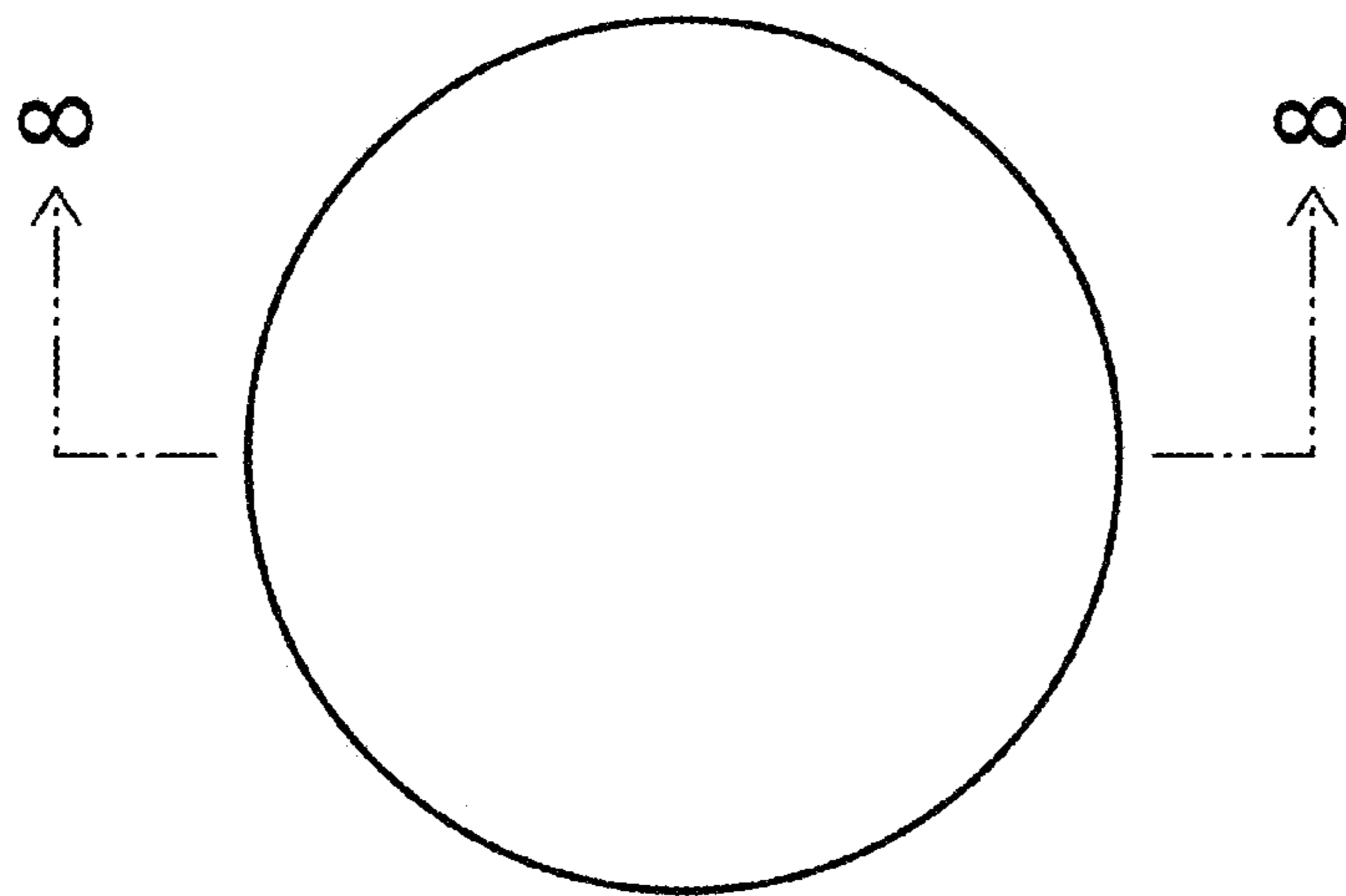


FIG. 5

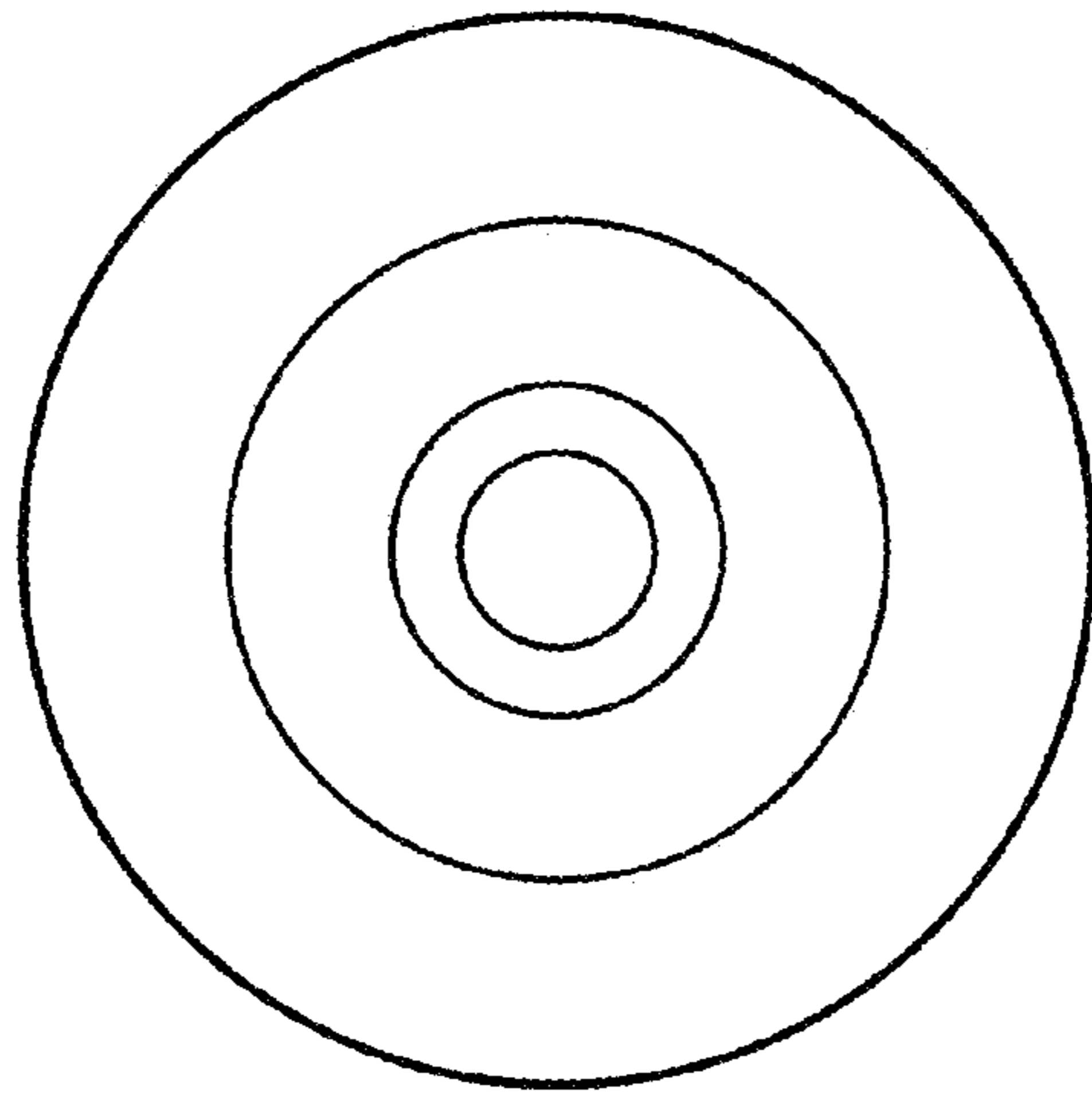


FIG. 6

