



US00D712355S

(12) **United States Design Patent**
Nakamura

(10) **Patent No.:** **US D712,355 S**

(45) **Date of Patent:** **** Sep. 2, 2014**

(54) **CAPACITOR HOLDER**

(56) **References Cited**

(71) Applicant: **Kitagawa Industries Co., Ltd.**, Inazawa
(JP)

U.S. PATENT DOCUMENTS

(72) Inventor: **Tatsuya Nakamura**, Aichi (JP)

D248,751	S	*	8/1978	Nakamura	D13/125
D307,000	S	*	4/1990	Sasaki et al.	D13/125
D331,189	S	*	11/1992	Daigle et al.	D8/396
6,057,615	A	*	5/2000	Long	310/68 R
6,064,563	A	*	5/2000	Yamada et al.	361/521
6,442,014	B1	*	8/2002	Lin	361/301.3
7,453,683	B2	*	11/2008	Nakamura et al.	361/301.3
D629,749	S	*	12/2010	Kobayashi et al.	D13/118

(73) Assignee: **Kitagawa Industries Co., Ltd.**, Aichi
(JP)

(**) Term: **14 Years**

* cited by examiner

(21) Appl. No.: **29/453,754**

Primary Examiner — Derrick Holland

(74) *Attorney, Agent, or Firm* — Lowe Hauptman & Ham,
LLP

(22) Filed: **May 2, 2013**

(57) **CLAIM**

The ornamental design for a capacitor holder, as shown and described.

(30) **Foreign Application Priority Data**

Nov. 6, 2012 (JP) 2012-027001

DESCRIPTION

(51) **LOC (10) Cl.** **13-02**

FIG. 1 is a front view of a capacitor holder bearing the design;

(52) **U.S. Cl.**

FIG. 2 is a right side view of FIG. 1;

USPC **D13/118**

FIG. 3 is a top view of FIG. 1;

(58) **Field of Classification Search**

USPC D13/118, 101, 110, 123, 125, 184, 199;
D8/354, 394, 396; 361/271, 272,
361/301.1, 301.3, 329, 517, 518, 521, 535

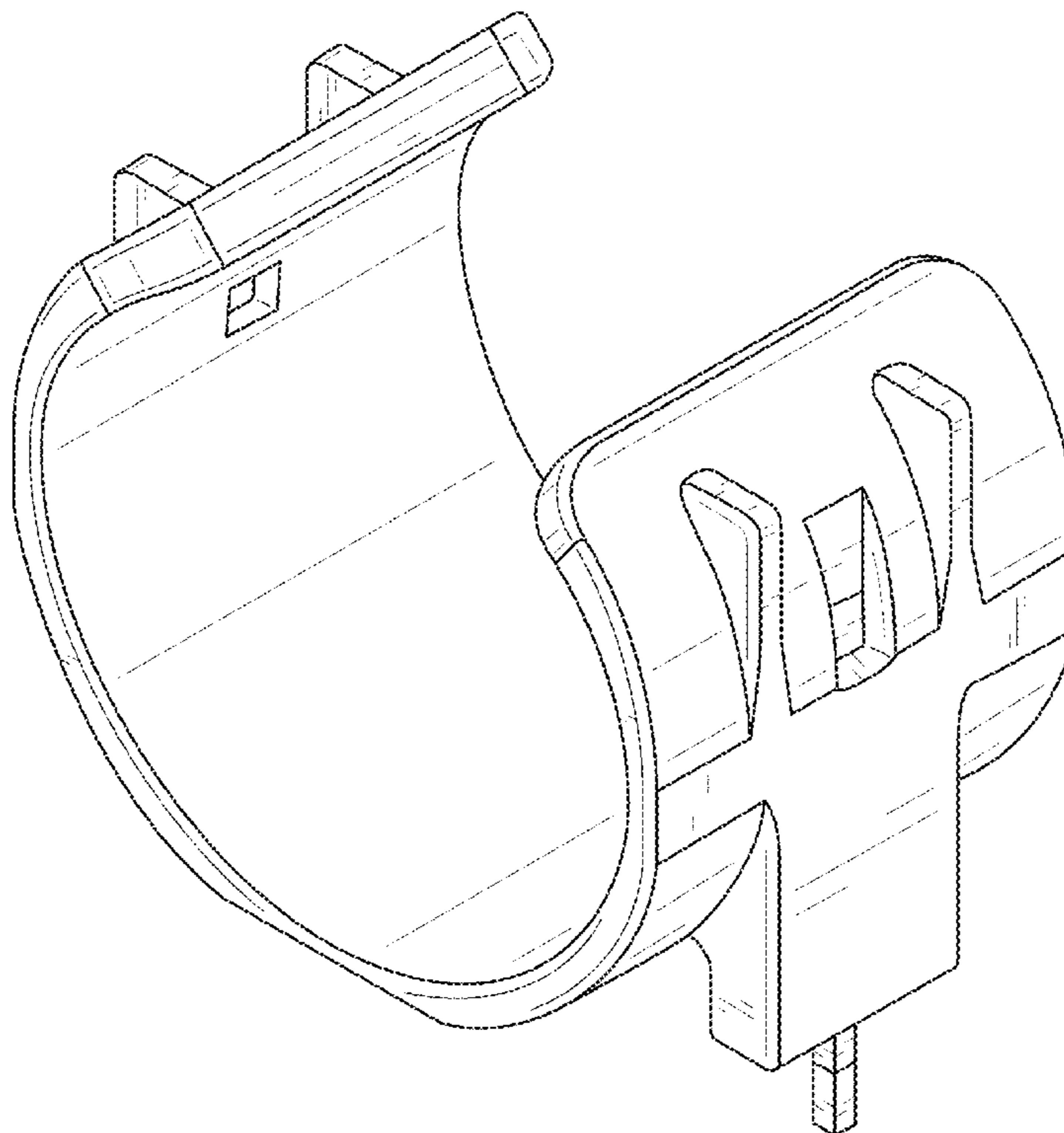
FIG. 4 is a bottom view of FIG. 1; and,

FIG. 5 is a perspective view of FIG. 1.

The rear view is a mirror image of the front view. The left side view is a mirror image of the right side view.

See application file for complete search history.

1 Claim, 5 Drawing Sheets



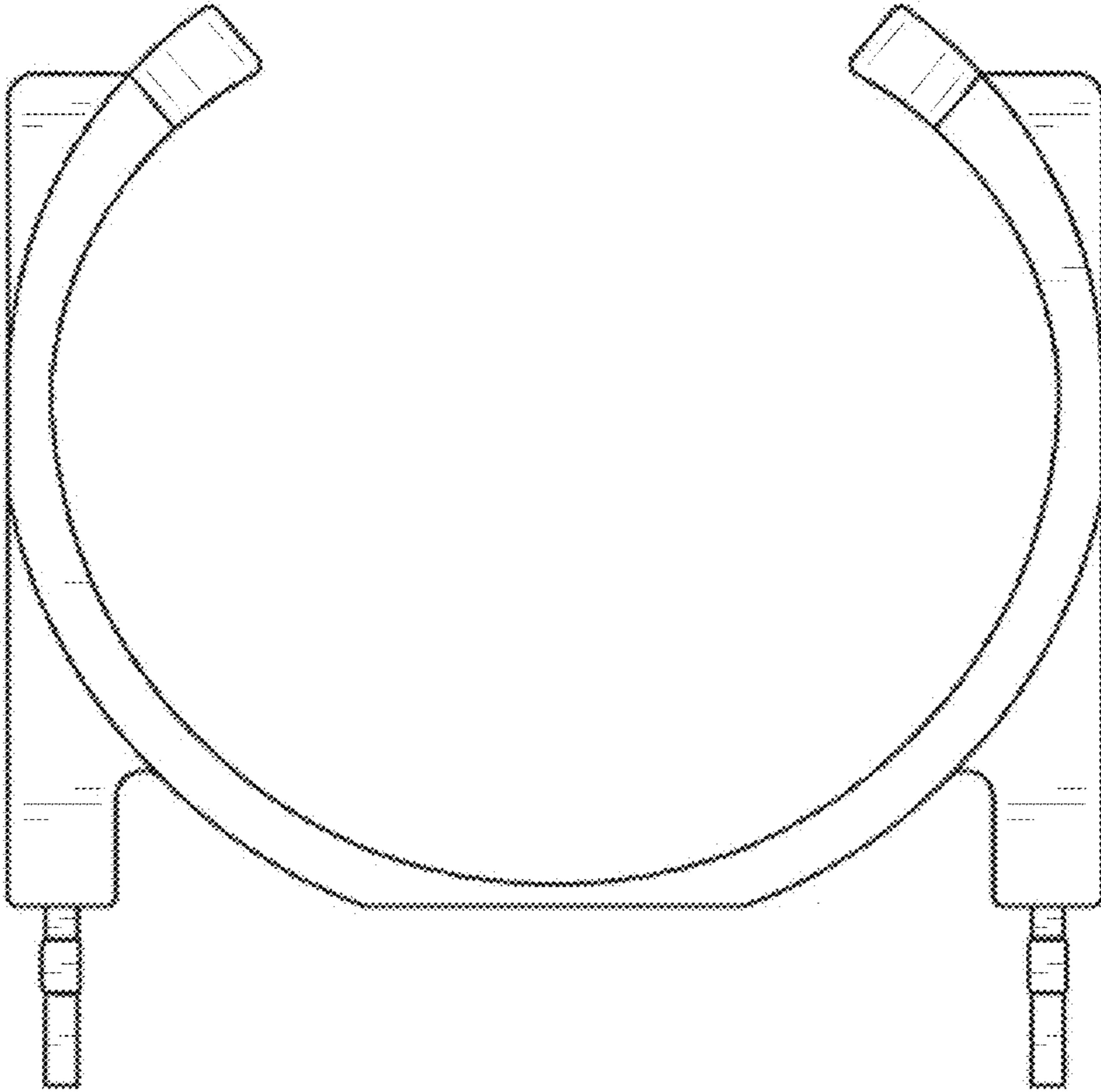


FIG. 1

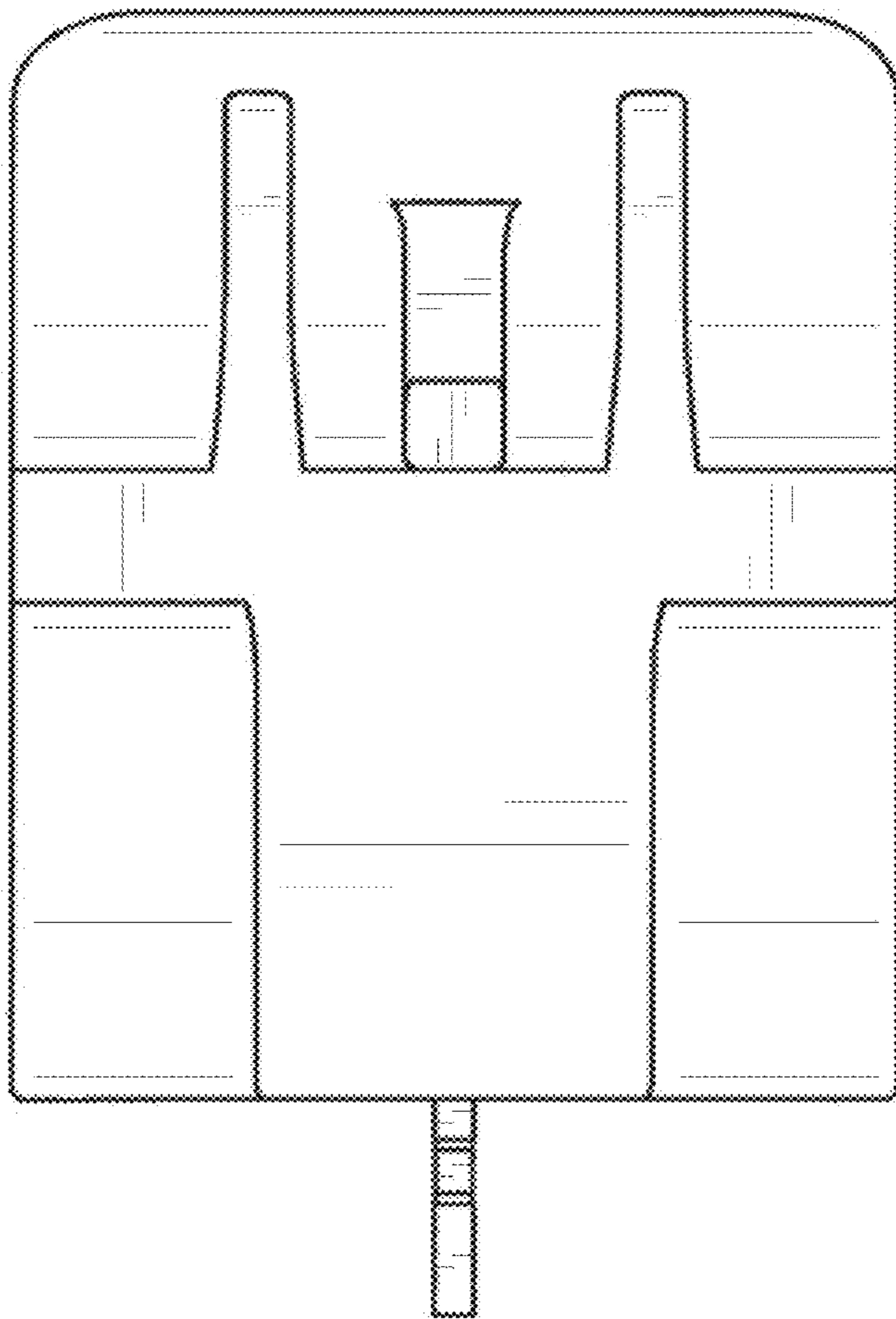


FIG. 2

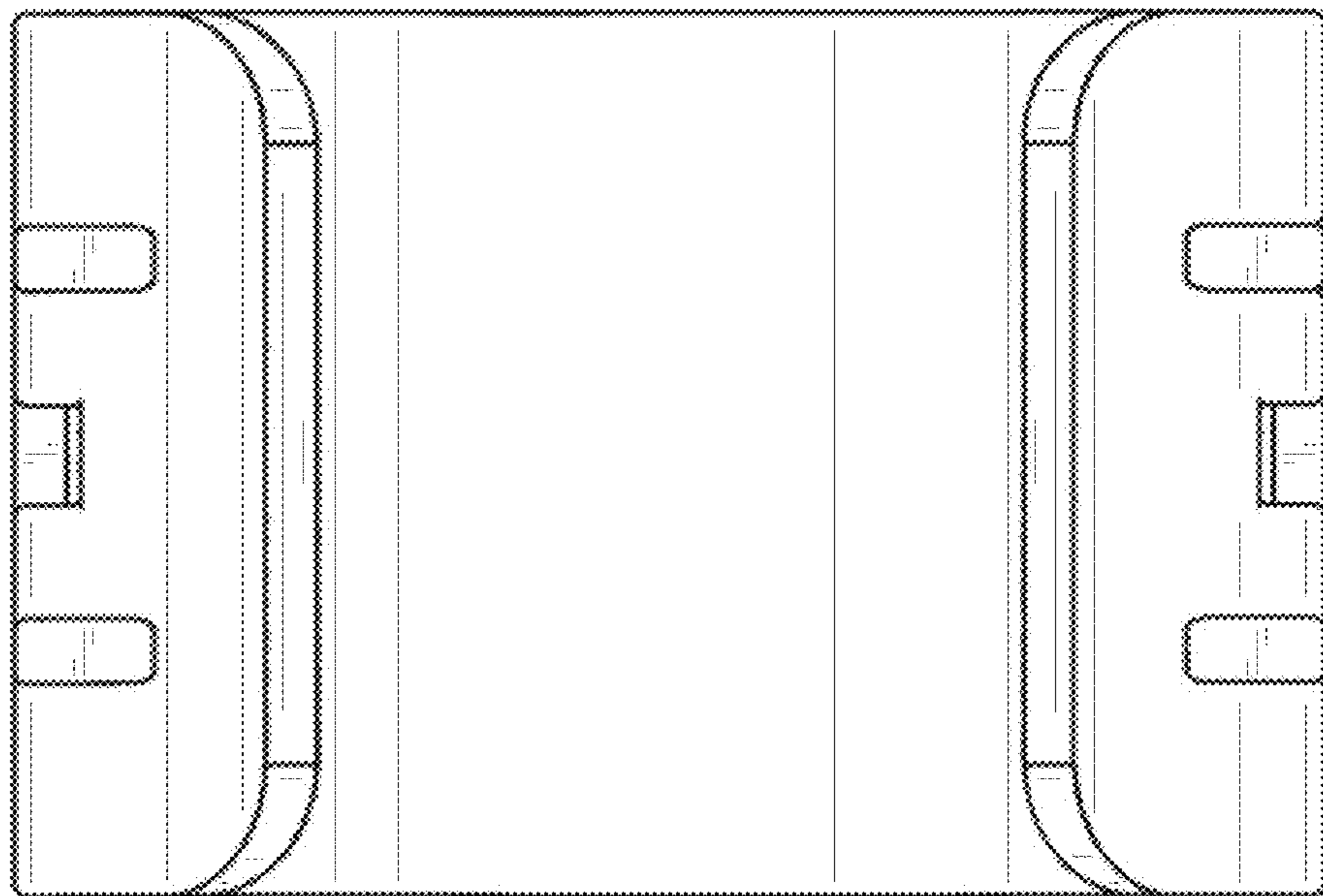


FIG. 3

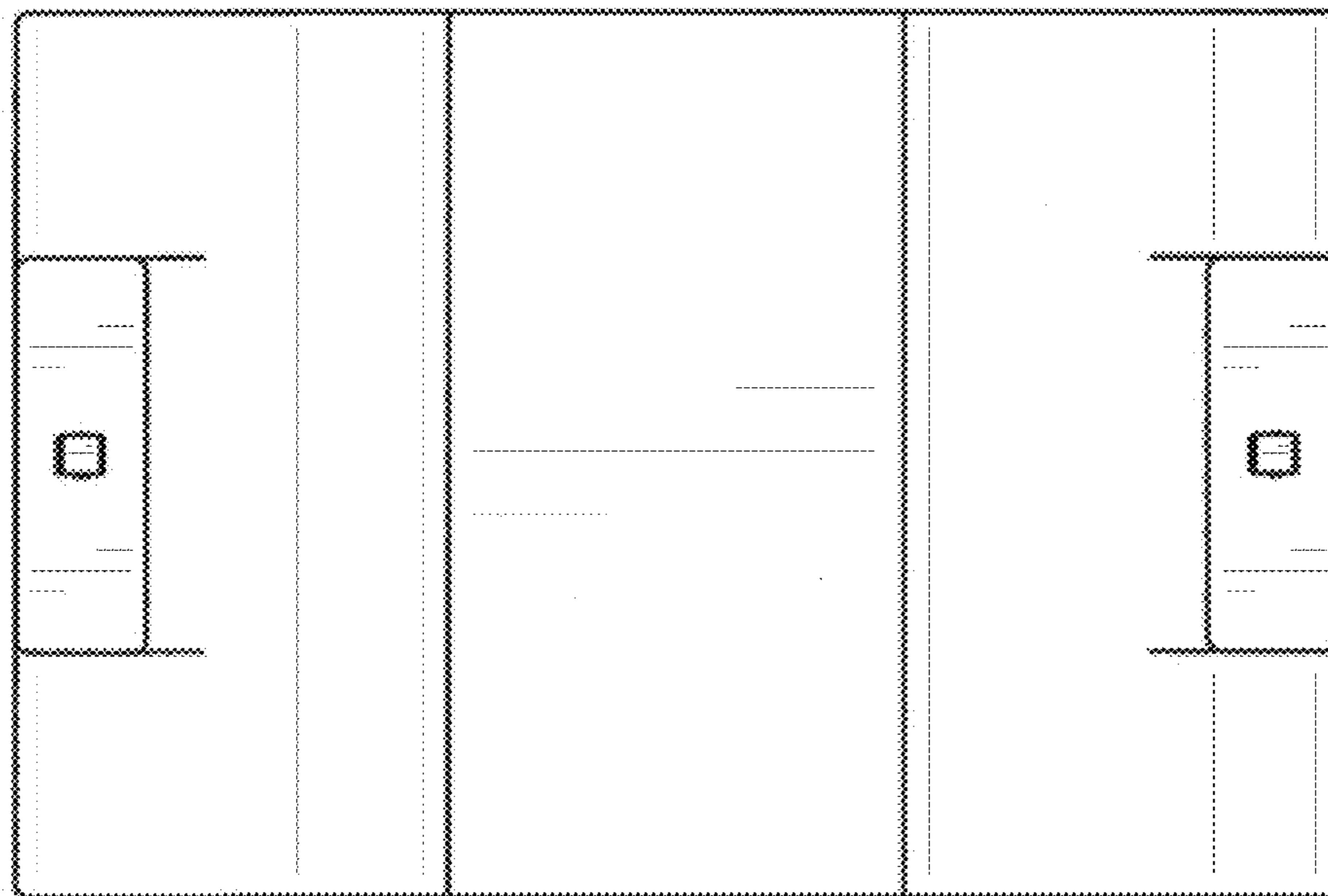


FIG. 4

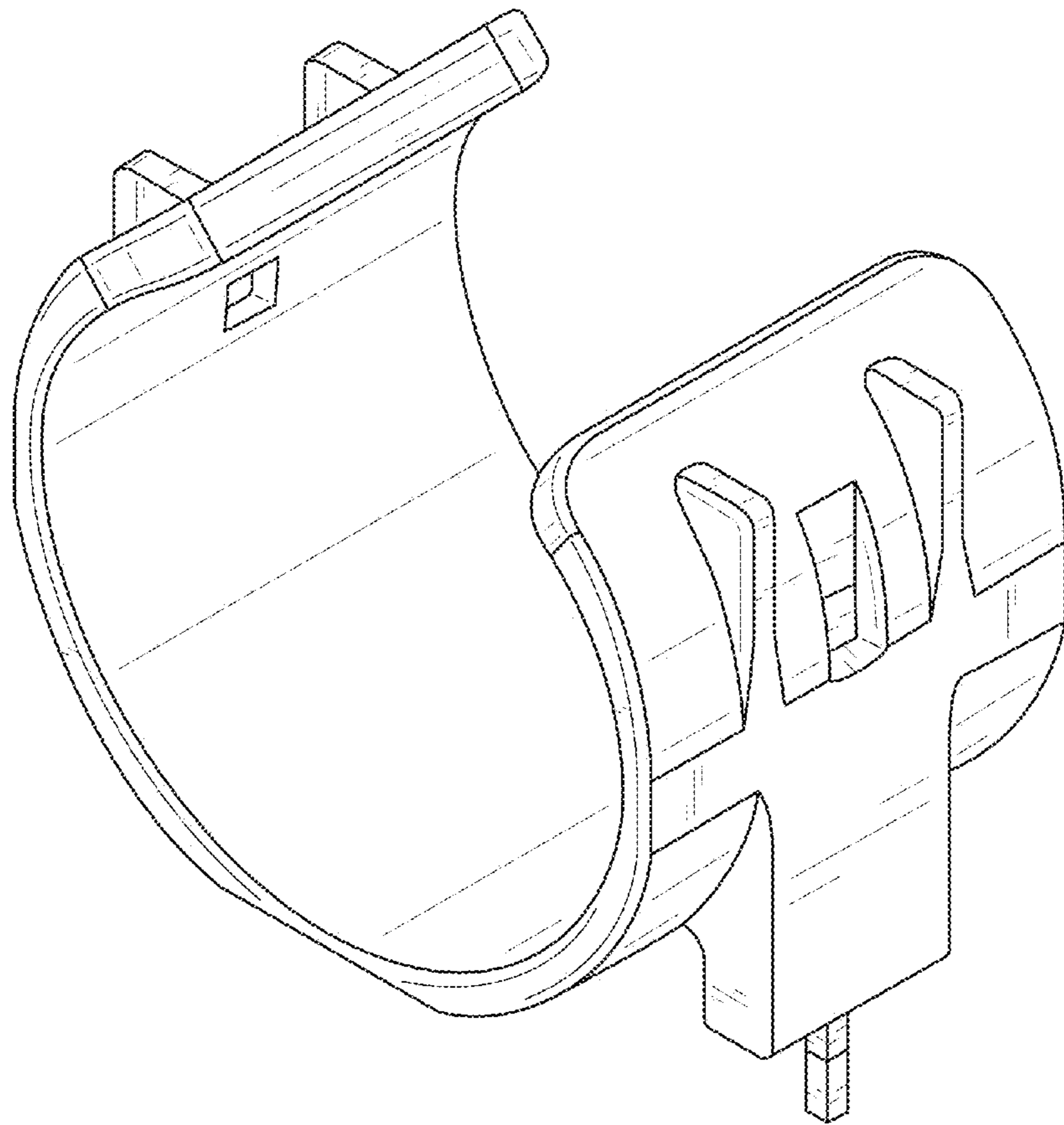


FIG. 5