



US00D712354S

(12) **United States Design Patent**  
**Veeh et al.**

(10) **Patent No.:** **US D712,354 S**

(45) **Date of Patent:** **\*\* Sep. 2, 2014**

(54) **ELECTRIC MOTOR**

(56) **References Cited**

(71) Applicant: **Baumuller Nuernberg GmbH,**  
Nuremberg (DE)

U.S. PATENT DOCUMENTS

(72) Inventors: **Michael Veeh,** Kleinrinderfeld (DE);  
**Claus Oechsner,** Schoenfeld (DE)

D336,890	S	*	6/1993	Hirose et al.	.....	D13/112
5,780,946	A	*	7/1998	Nakamura et al.	.....	310/58
D424,516	S	*	5/2000	Friedrichsen	.....	D13/112
D597,943	S	*	8/2009	Lin et al.	.....	D13/112
D601,958	S	*	10/2009	Huan et al.	.....	D13/112
D610,988	S	*	3/2010	Oohashi et al.	.....	D13/112
7,687,945	B2	*	3/2010	Matin et al.	.....	310/64
D634,272	S	*	3/2011	Veeh	.....	D13/112
7,965,005	B2	*	6/2011	Schmidt et al.	.....	310/71
8,004,134	B2	*	8/2011	Abe et al.	.....	310/83

(73) Assignee: **Beumueller Neurnberg GmbH,**  
Nuremberg (DE)

(\*\*) Term: **14 Years**

\* cited by examiner

(21) Appl. No.: **29/476,791**

*Primary Examiner* — Derrick Holland

(22) Filed: **Dec. 17, 2013**

(74) *Attorney, Agent, or Firm* — Laurence A. Greenberg;  
Werner H. Stemer; Ralph E. Locher

(30) **Foreign Application Priority Data**

(57) **CLAIM**

Jun. 17, 2013 (EP) ..... 002256537-0002

The ornamental design for an electric motor, as shown and described.

(51) **LOC (10) Cl.** ..... **13-01**

**DESCRIPTION**

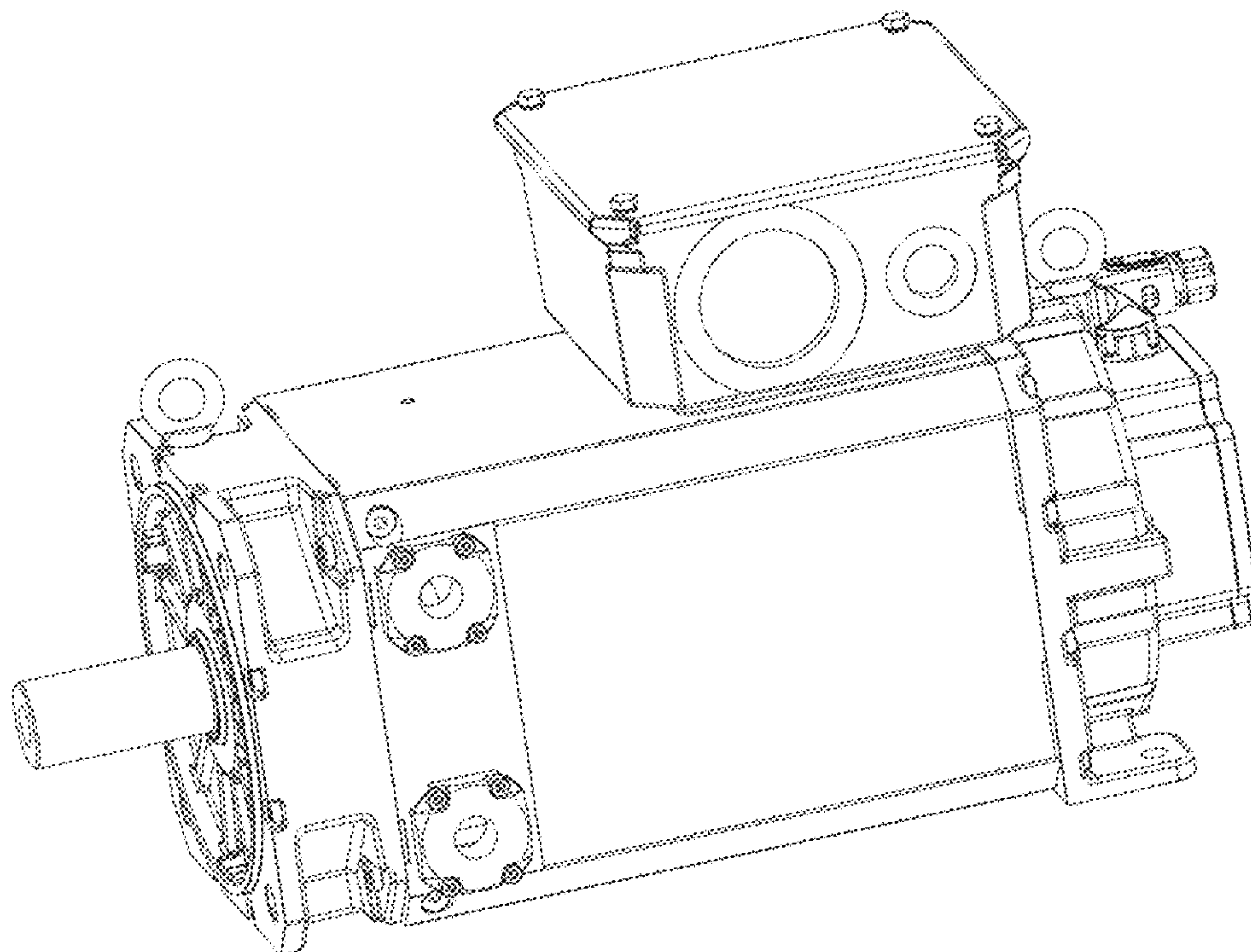
(52) **U.S. Cl.**  
USPC ..... **D13/112**

(58) **Field of Classification Search**  
USPC ..... D13/112, 113, 114, 122, 199; D15/3, 5,  
D15/199; 74/606 R, 609; 310/10, 40 R, 42,  
310/51, 52, 58, 64, 71, 80, 83, 85, 88, 89,  
310/91, 109, 236, 239, 254; 318/245, 255;  
322/16, 39; 361/688, 704, 709;  
29/596-598

FIG. 1 is a right side elevation view of the electric motor, showing our new design;  
FIG. 2 is a front elevation view thereof;  
FIG. 3 is a left side elevation view thereof;  
FIG. 4 is a rear elevation view thereof;  
FIG. 5 is a top plan view thereof;  
FIG. 6 is a bottom plan view thereof; and,  
FIG. 7 is a perspective view thereof.

See application file for complete search history.

**1 Claim, 7 Drawing Sheets**



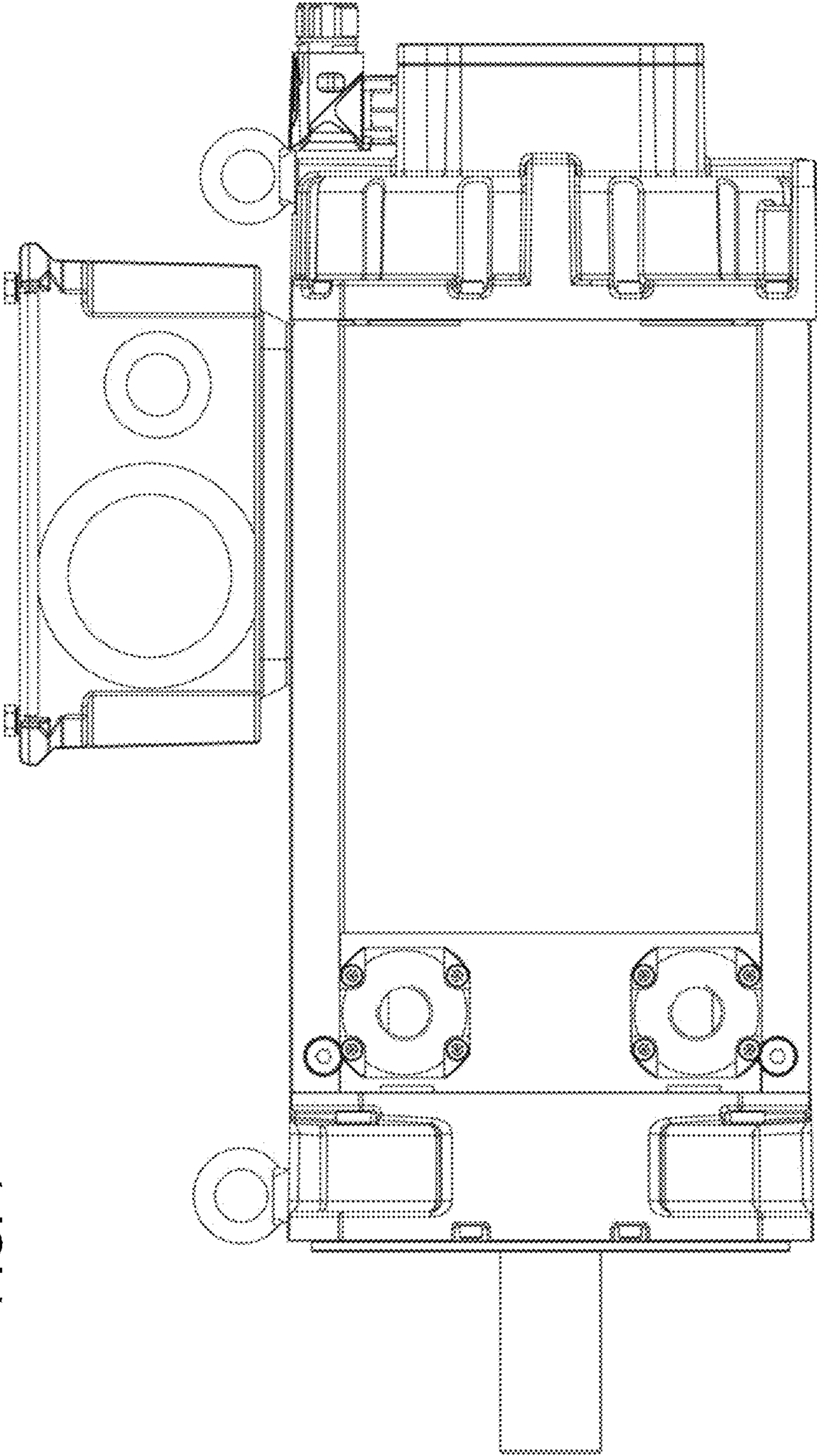


FIG. 1

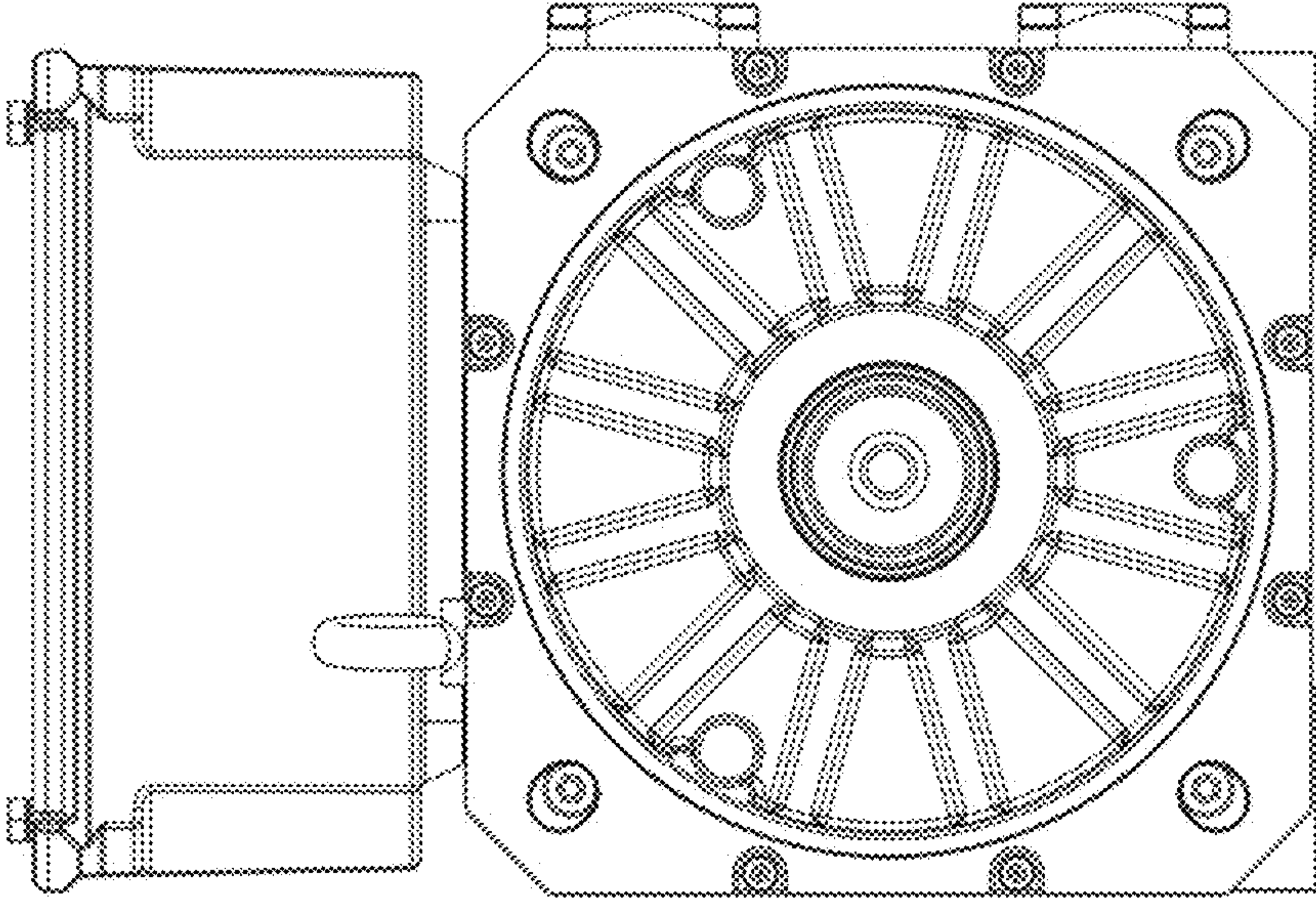


FIG. 2



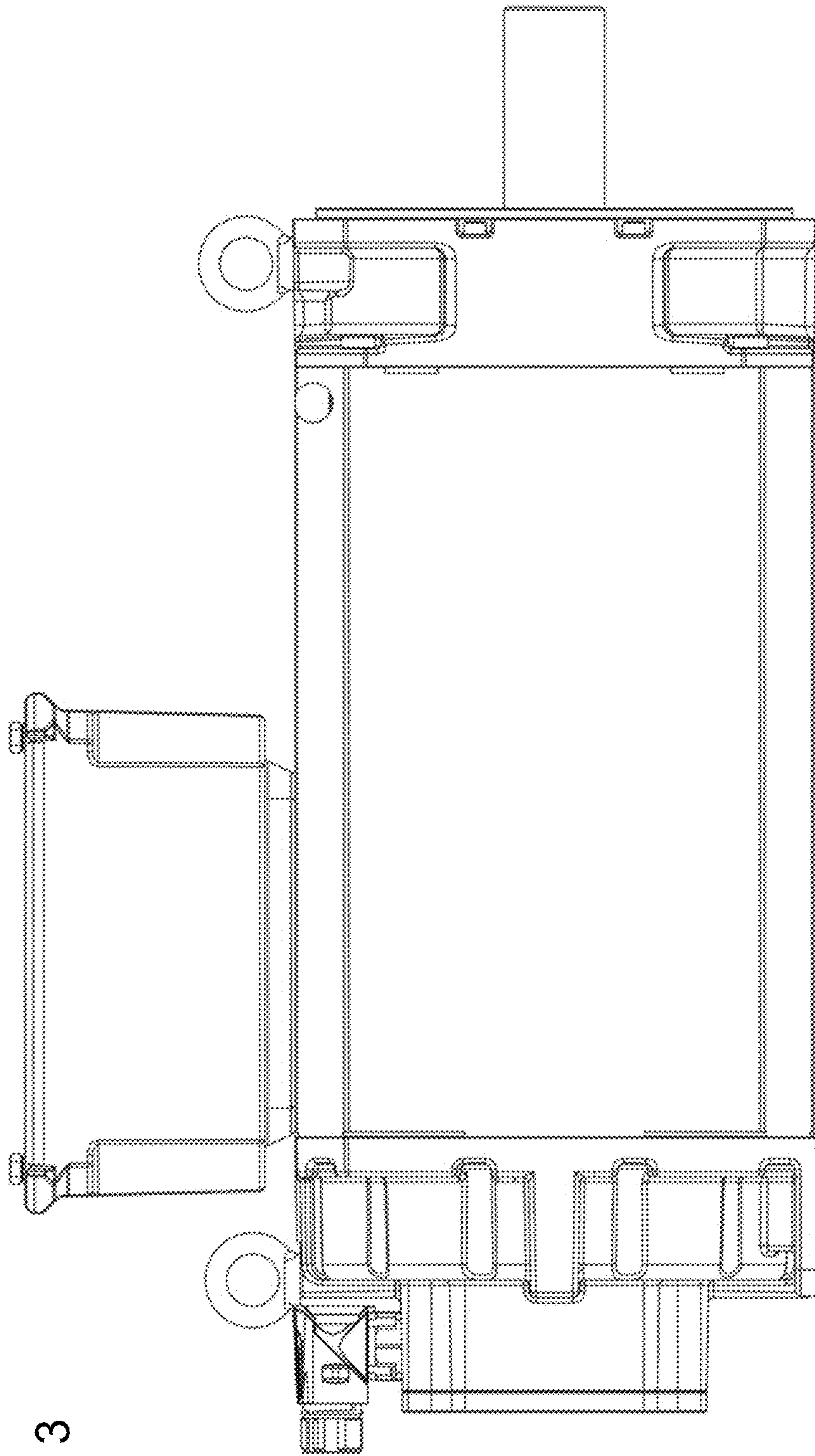
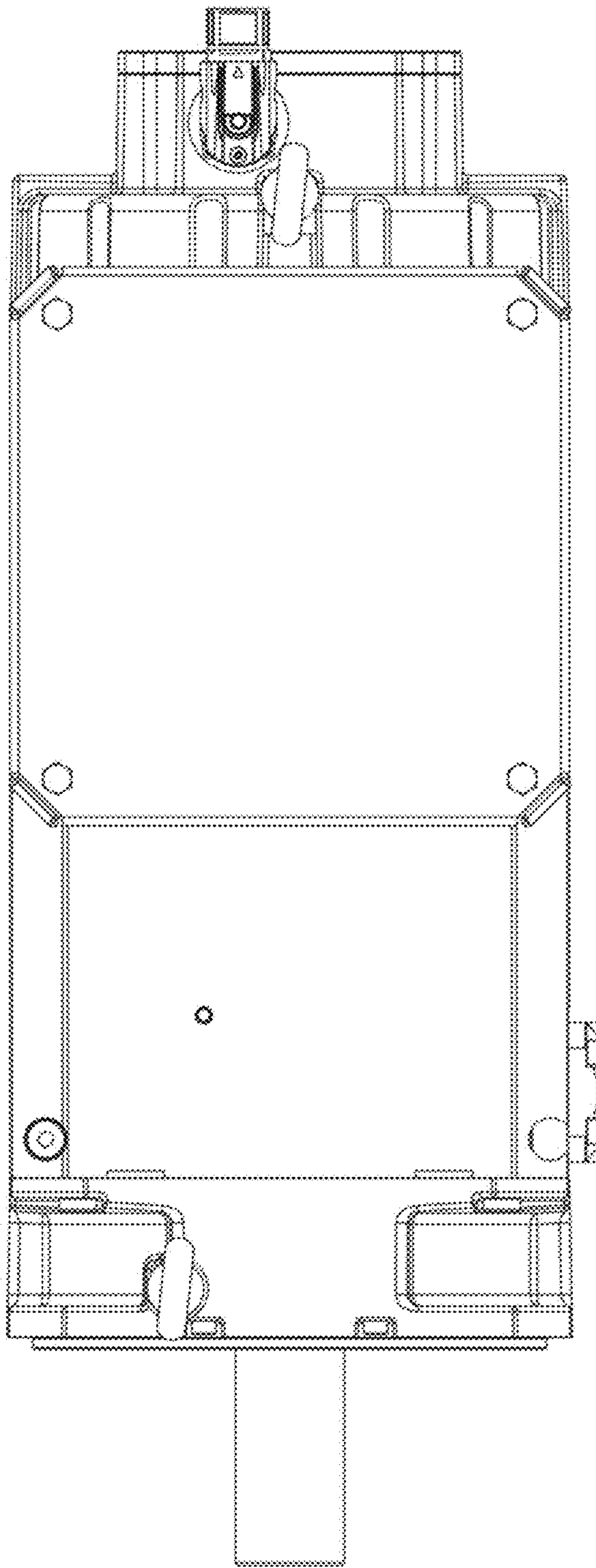


FIG. 3



FIG. 5



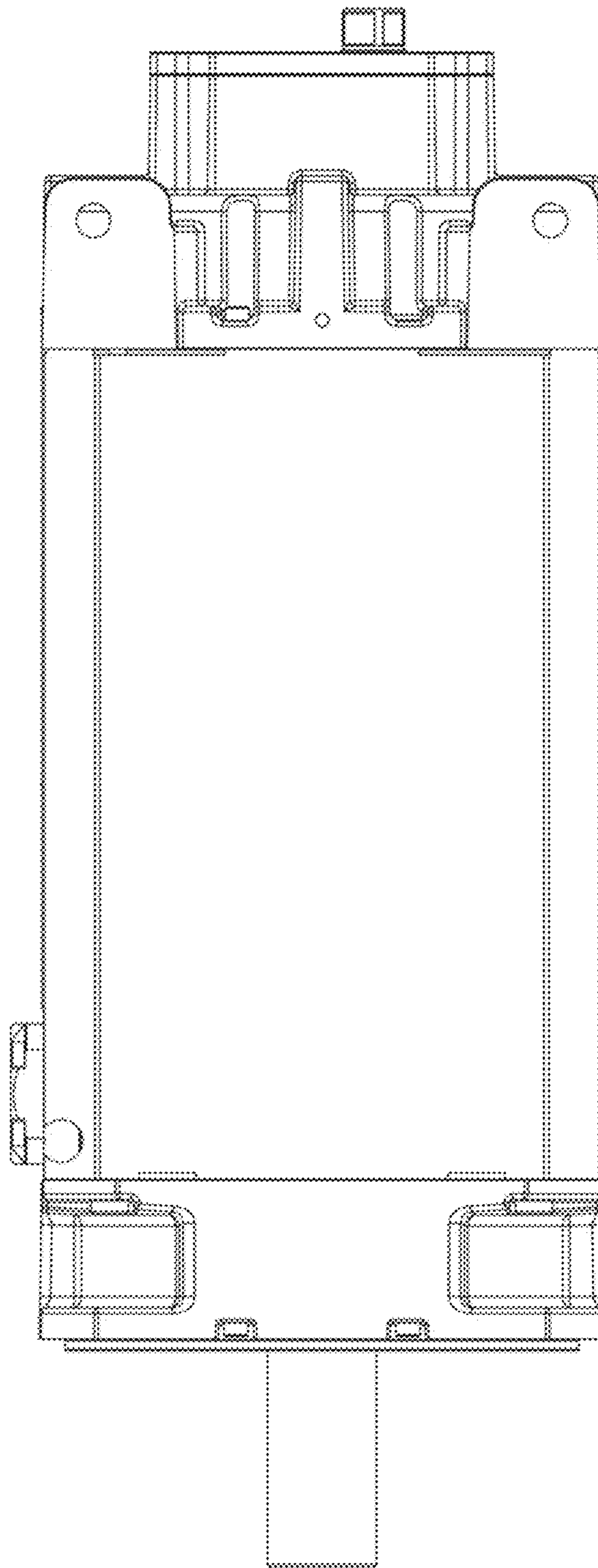


FIG. 6



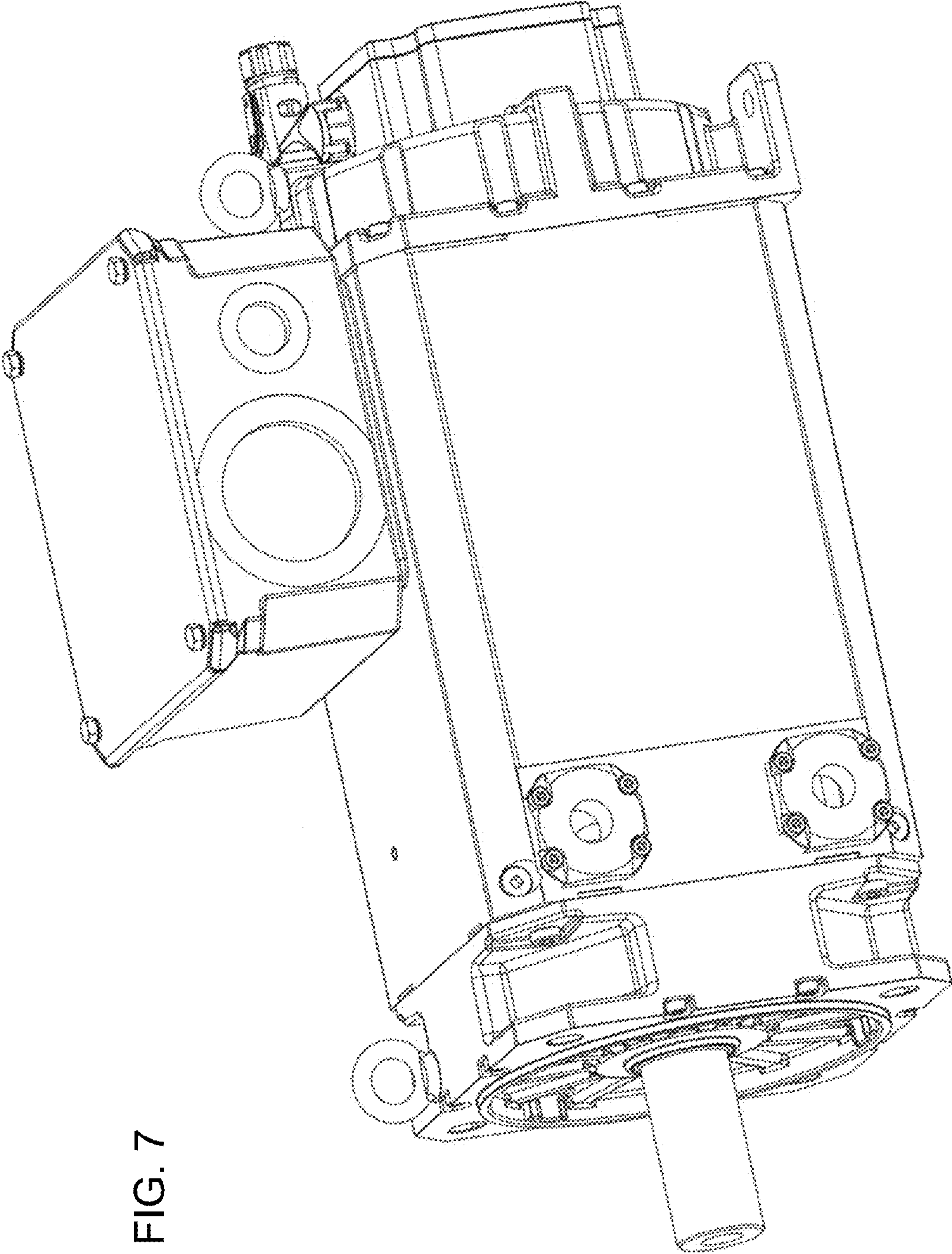


FIG. 7