



US00D712353S

(12) **United States Design Patent**
George et al.

(10) **Patent No.:** **US D712,353 S**
(45) **Date of Patent:** **** Sep. 2, 2014**

(54) **GENERATOR SYSTEM**

Primary Examiner — Derrick Holland

(71) Applicant: **Medtronic Ardian Luxembourg S.a.r.l.**, Luxembourg (LU)

(57) **CLAIM**

The ornamental design for a generator system, as shown and described.

(72) Inventors: **William R. George**, Santa Rosa, CA (US); **Charles R. Lewis, Jr.**, Santa Rosa, CA (US)

DESCRIPTION

(73) Assignee: **Medtronic Ardian Luxembourg S.a.r.l.**, Luxembourg (LU)

FIG. 1 is a front perspective view of a generator system showing our new design.

(**) Term: **14 Years**

FIG. 2 is a front elevational view thereof.

(21) Appl. No.: **29/447,482**

FIG. 3 is a back elevational view thereof.

(22) Filed: **Mar. 4, 2013**

FIG. 4 is a right side elevational view thereof.

(51) **LOC (10) Cl.** **13-01**

FIG. 5 is a left side elevational view thereof.

(52) **U.S. Cl.**

FIG. 6 is a top view thereof.

USPC **D13/112; D24/170**

FIG. 7 is a bottom view thereof.

(58) **Field of Classification Search**

USPC D13/112, 114, 118, 122, 123, 168, 184, D13/199; D24/170, 232; D34/12-27; 310/300, 309, 311, 314, 319; 322/1; 606/34, 41; 607/101, 105

FIG. 8 is an exploded front perspective view of the generator system.

See application file for complete search history.

FIG. 9 is a front perspective view of a cart portion of the generator system.

(56) **References Cited**

U.S. PATENT DOCUMENTS

D118,060 S 12/1939 Smith
3,074,734 A 1/1963 Munson et al.

(Continued)

OTHER PUBLICATIONS

Klein, Brian, "The Design Story Behind the Vessix V2 Renal Denervation Device," 2012, accessed Jul. 15, 2013, 3 pages. <<http://www.medgadget.com/2012/04/the-design-story-behind-the-vessix-v2-renal-denervation-device.html>>.

Wilson, Mark, "A Gold Rush In Medical Design, Inspired Partly By ipads," Co.Design: business + innovation + design, 2012, accessed Jul. 15, 2013, 3 pages, <<http://www.fastcodesign.com/1669613/a-gold-rush-in-medical-design-inspired-partly-by-ipads>>.

FIG. 10 is a back elevational view thereof.

FIG. 11 is a front elevational view thereof.

FIG. 12 is a left side elevational view thereof.

FIG. 13 is a right side elevational view thereof.

FIG. 14 is a top view thereof.

FIG. 15 is a bottom view thereof.

FIG. 16 is a front perspective view of a generator portion of the generator system.

FIG. 17 is a front elevational view thereof.

FIG. 18 is a back elevational view thereof.

FIG. 19 is a left side elevational view thereof.

FIG. 20 is a right side elevational view thereof.

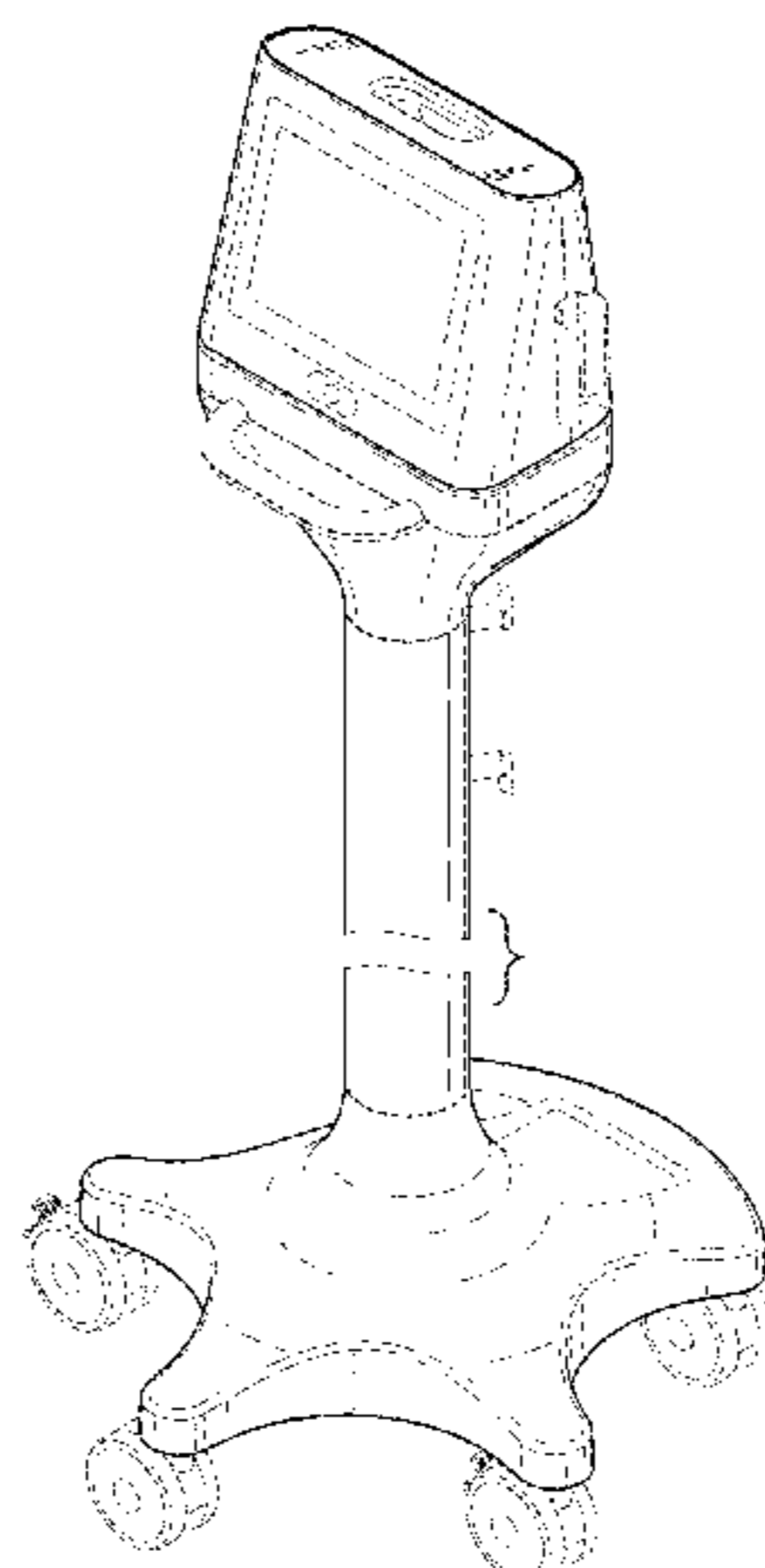
FIG. 21 is a top view thereof; and,

FIG. 22 is a bottom view thereof.

The broken lines shown represent unclaimed subject matter only and form no part of the claim. Where broken lines abut a claimed surface it is understood that those broken lines represent an unclaimed boundary between claimed and unclaimed surfaces. None of the broken lines form any part of the claimed design.

Portions of the generator system have been shown broken to indicate indeterminate length. The indeterminate portion of the article forms no part of the claim design. Patentability is based only on those portions of the generator system that are shown in solid lines.

1 Claim, 12 Drawing Sheets



(56)

References Cited

U.S. PATENT DOCUMENTS

4,798,082 A *	1/1989	Fujikawa et al.	73/114.72	D530,680 S	10/2006	Fox et al.	
D304,112 S	10/1989	Bettess		D530,681 S	10/2006	Huang	
D305,710 S	1/1990	Ng et al.		7,168,715 B1	1/2007	Friedman	
D339,441 S	9/1993	Marchant et al.		7,188,847 B1	3/2007	Friedman	
D361,058 S	8/1995	Domel et al.		D549,185 S	8/2007	Tan et al.	
D363,590 S	10/1995	Kazmerchek et al.		7,270,339 B2	9/2007	Feick	
D465,895 S *	11/2002	Pfefferle et al.	D34/19	D553,324 S	10/2007	Lieblein	
D477,082 S *	7/2003	Bromley	D24/170	D567,761 S *	4/2008	Waler et al.	D13/112
6,688,634 B2	2/2004	Noffsinger		D572,205 S	7/2008	Landerholm et al.	
D490,374 S *	5/2004	Amakawa et al.	D13/112	D575,747 S	8/2008	Abramovich et al.	
D491,666 S *	6/2004	Kimmell et al.	D24/170	D576,960 S	9/2008	Aldape et al.	
D496,633 S	9/2004	Krause		D602,878 S	10/2009	Coleman et al.	
D500,575 S	1/2005	Lucas		D633,447 S	3/2011	Schaal et al.	
D525,947 S	8/2006	Gerard et al.		8,074,815 B2 *	12/2011	Gerstner	211/193
				D668,243 S	10/2012	Aquillano	
				D670,472 S	11/2012	Ono	
				D670,660 S	11/2012	Cook	

* cited by examiner

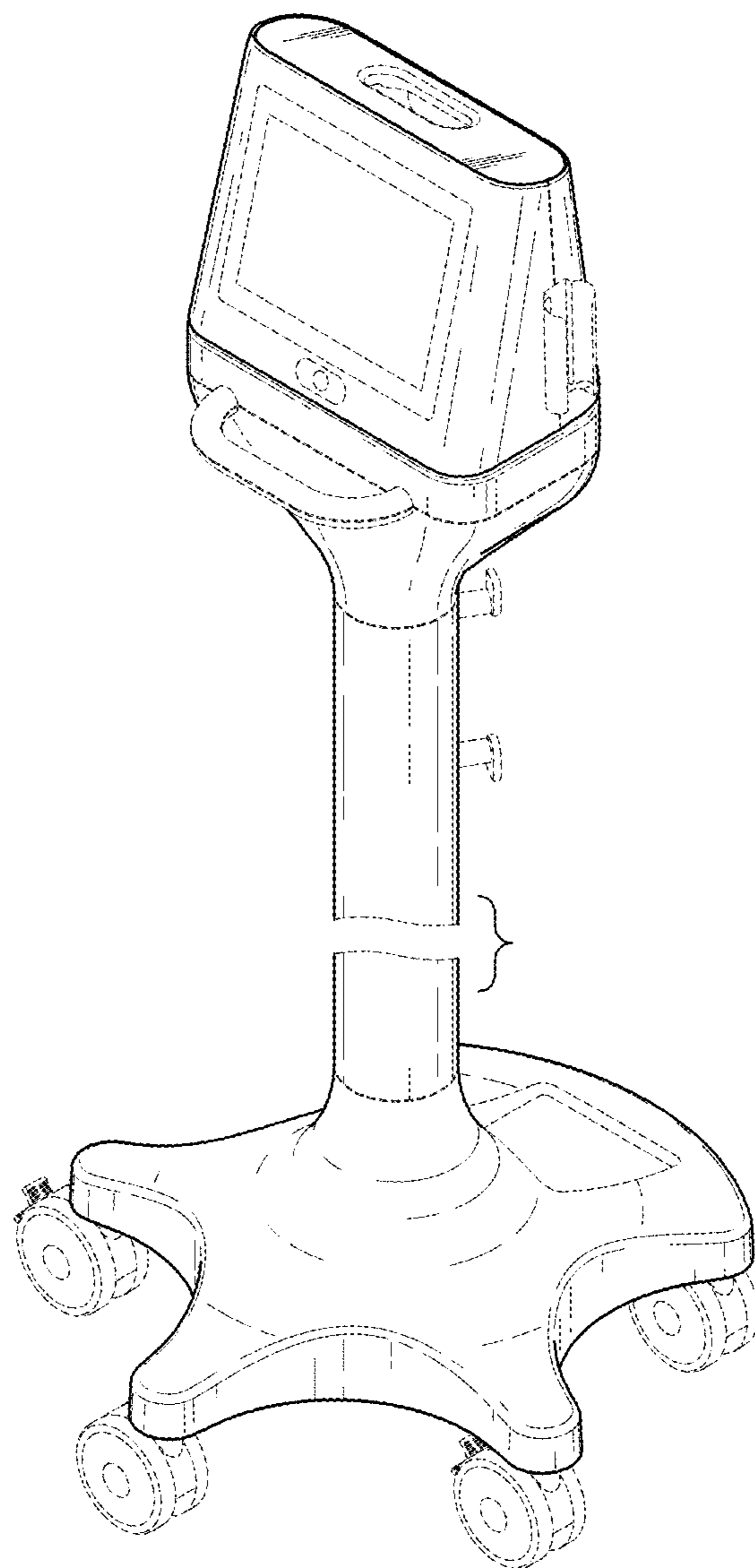


Fig. 1

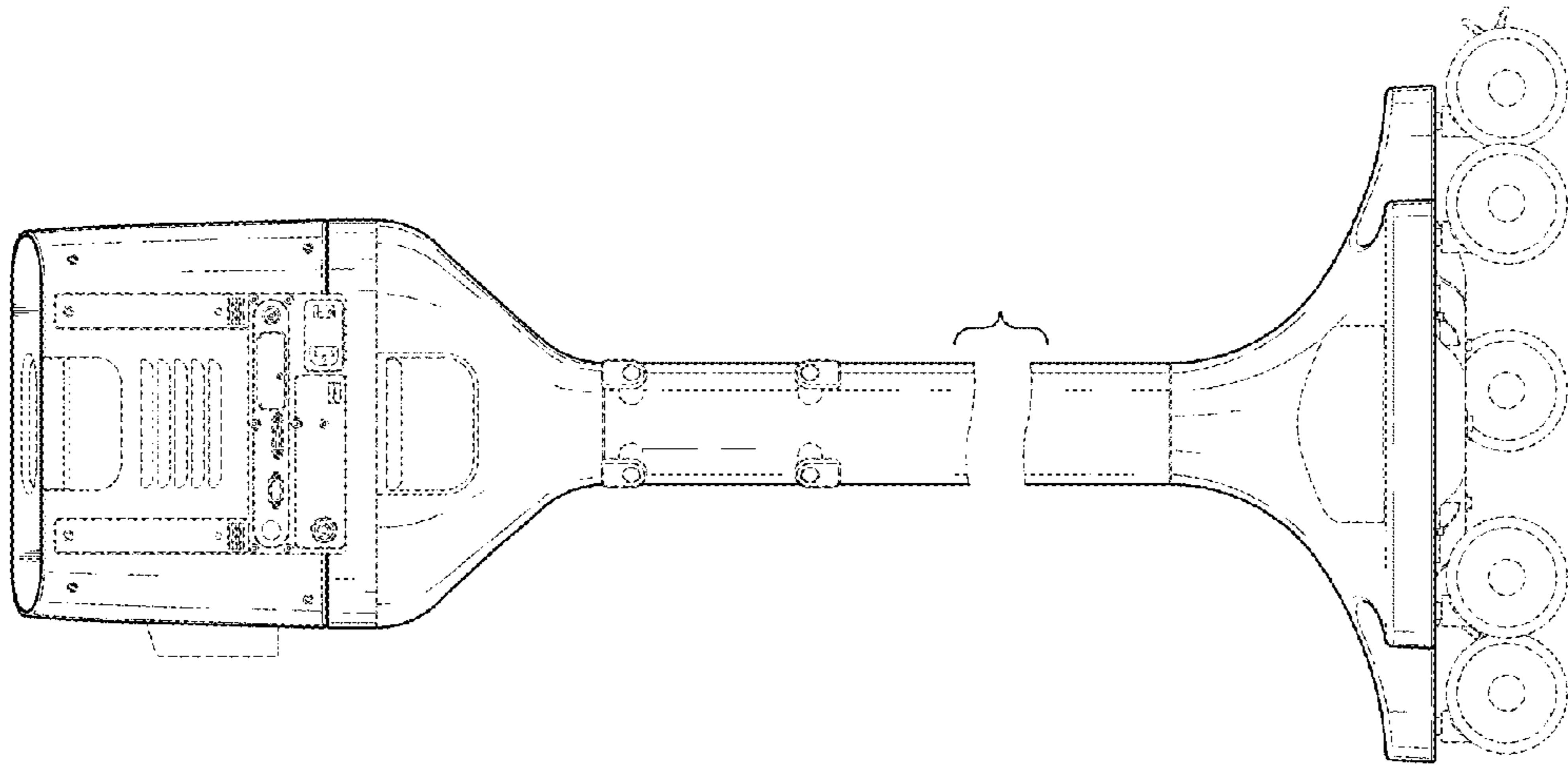


Fig. 3

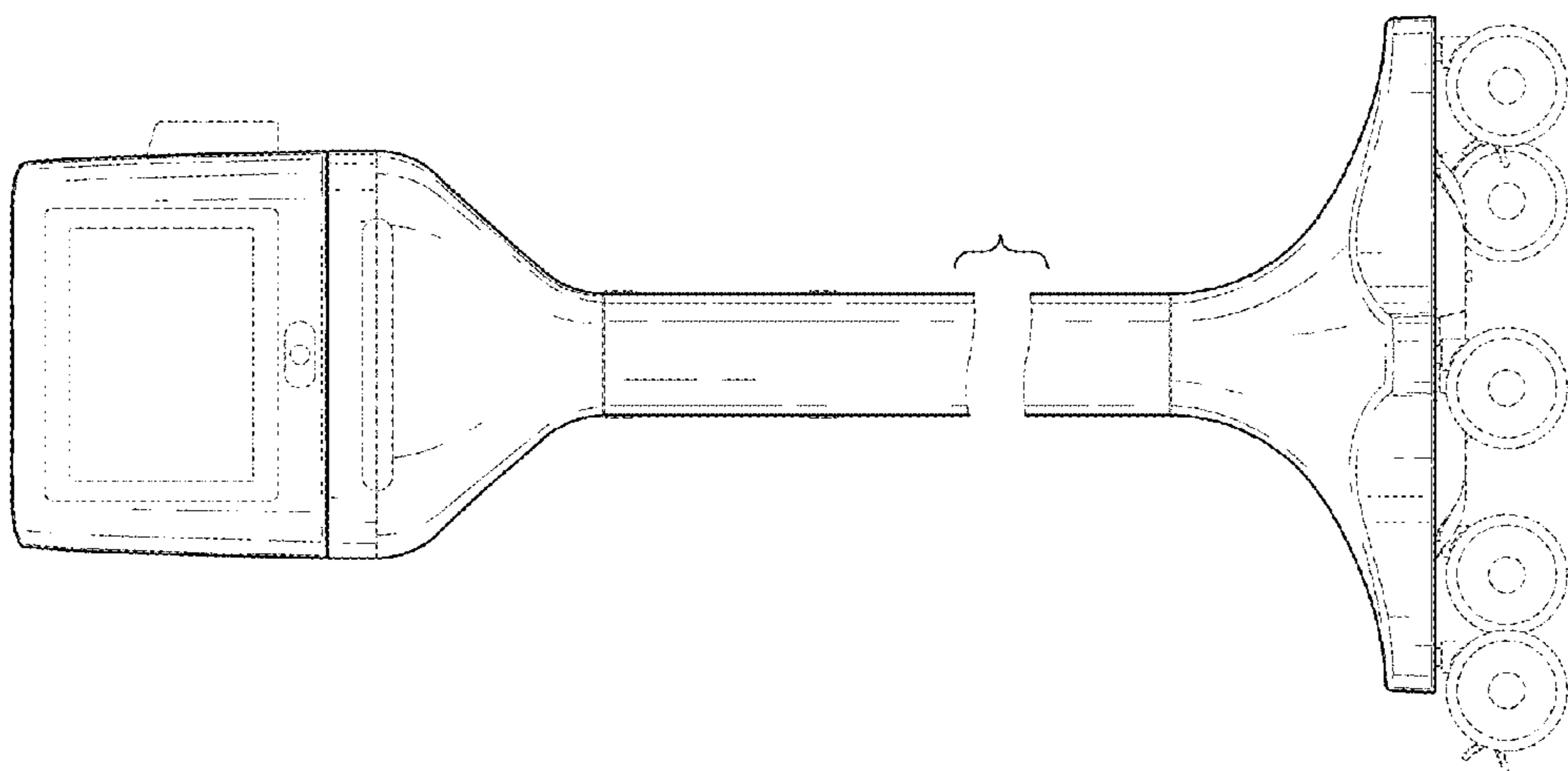


Fig. 2

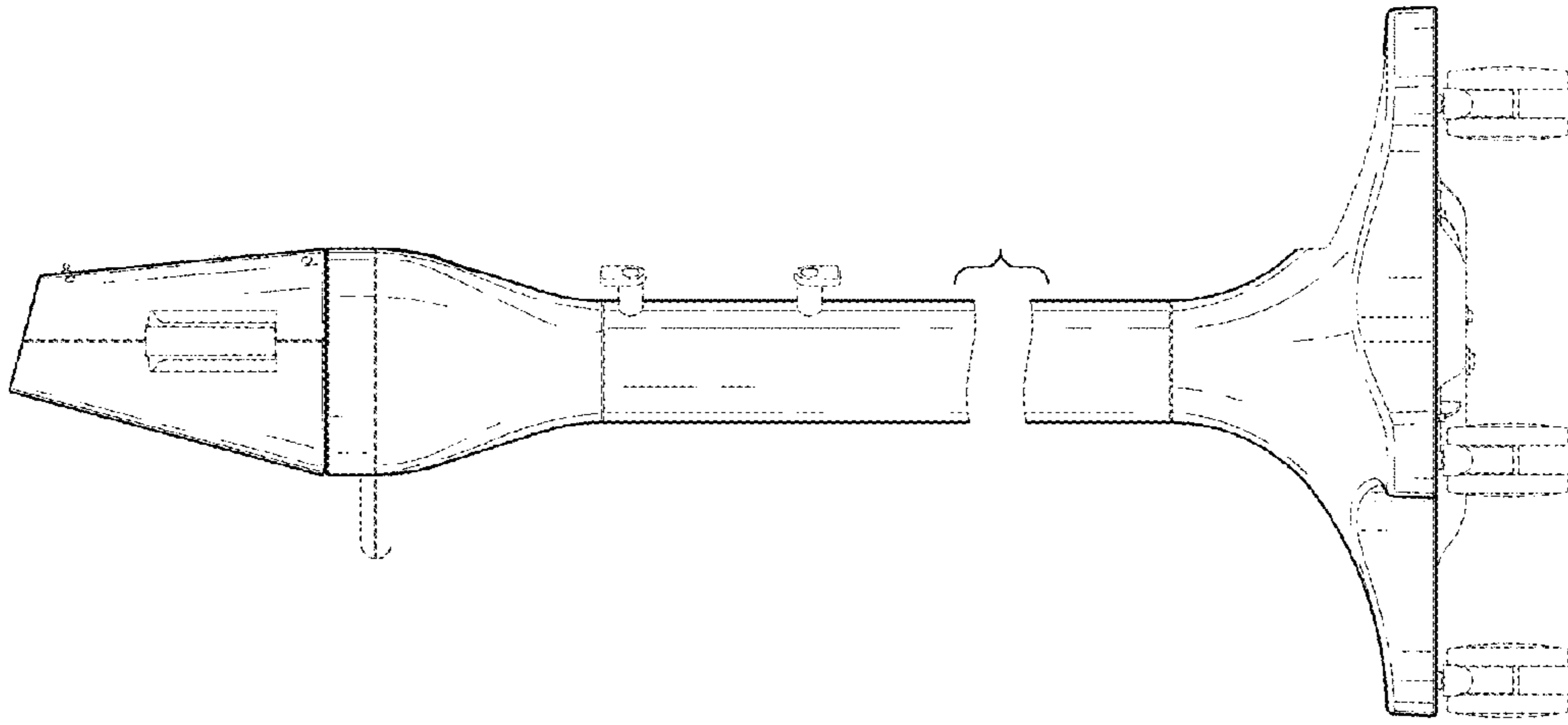


Fig. 5

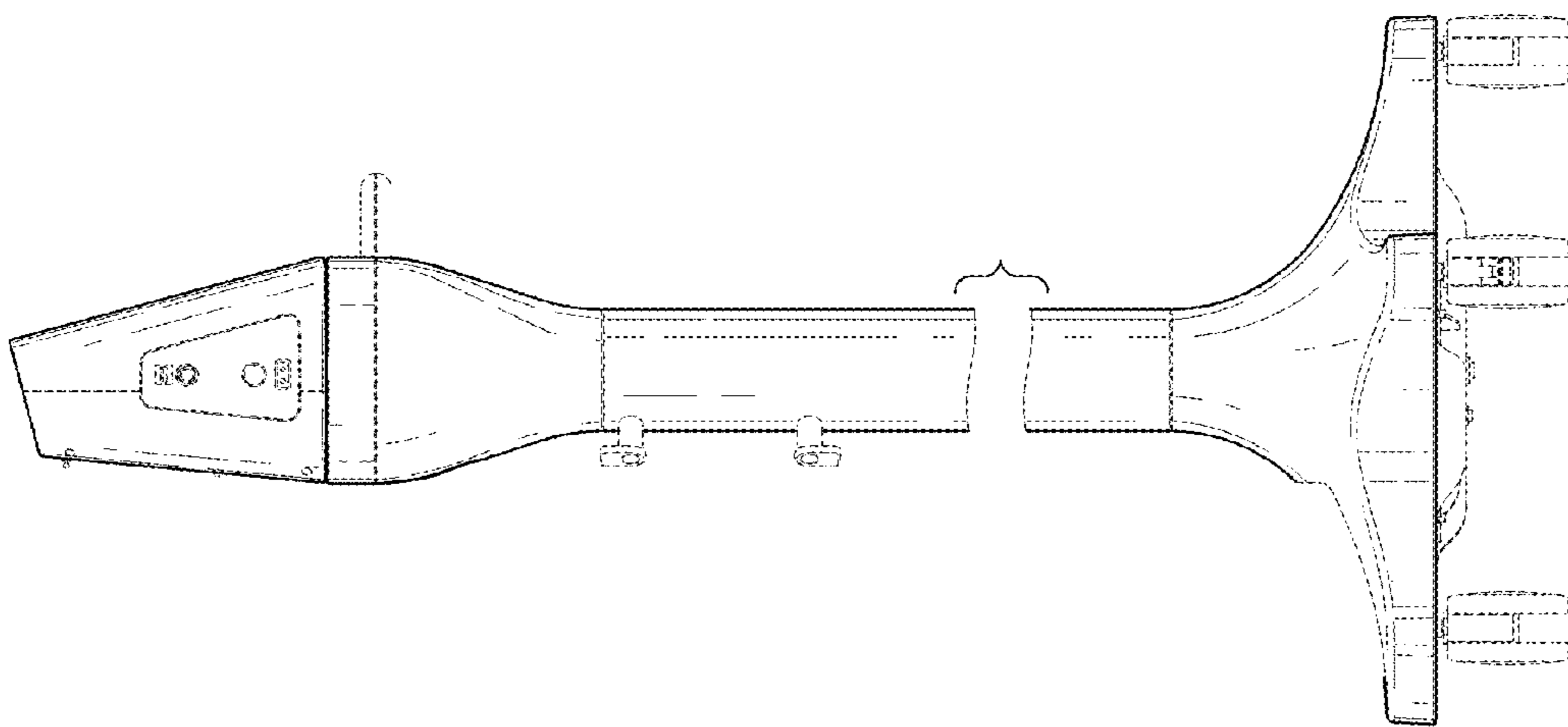


Fig. 4

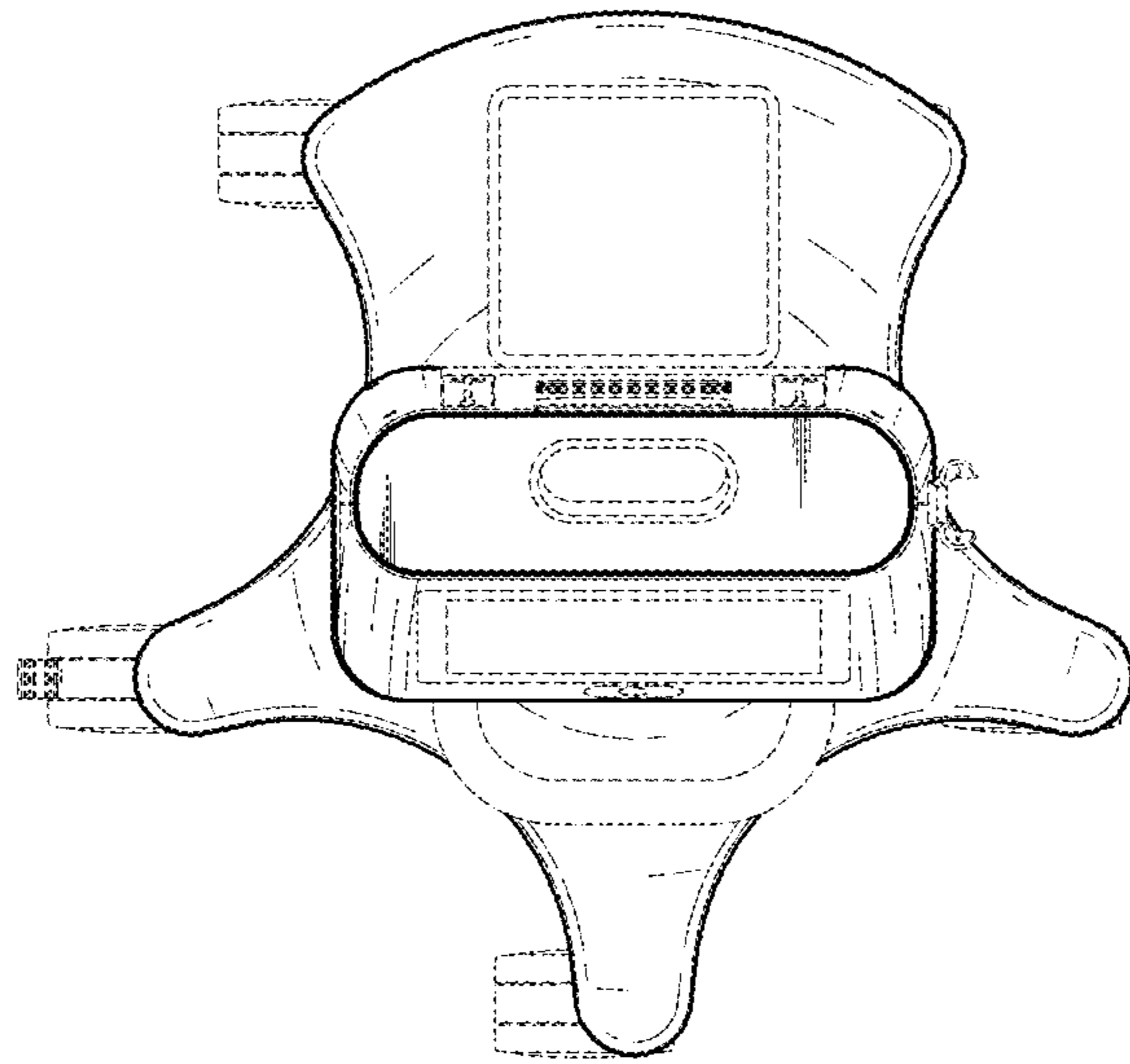


Fig. 6

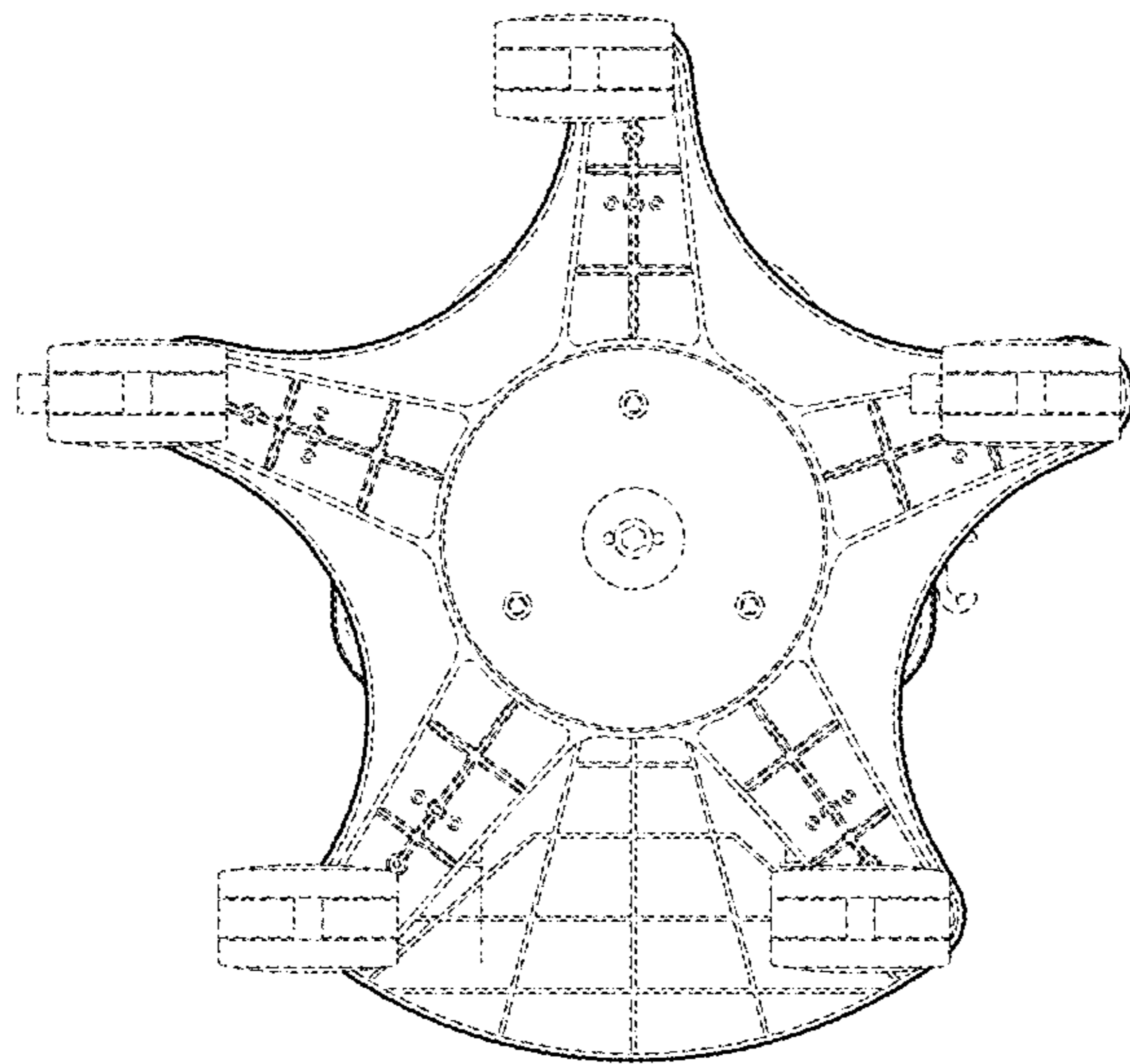


Fig. 7

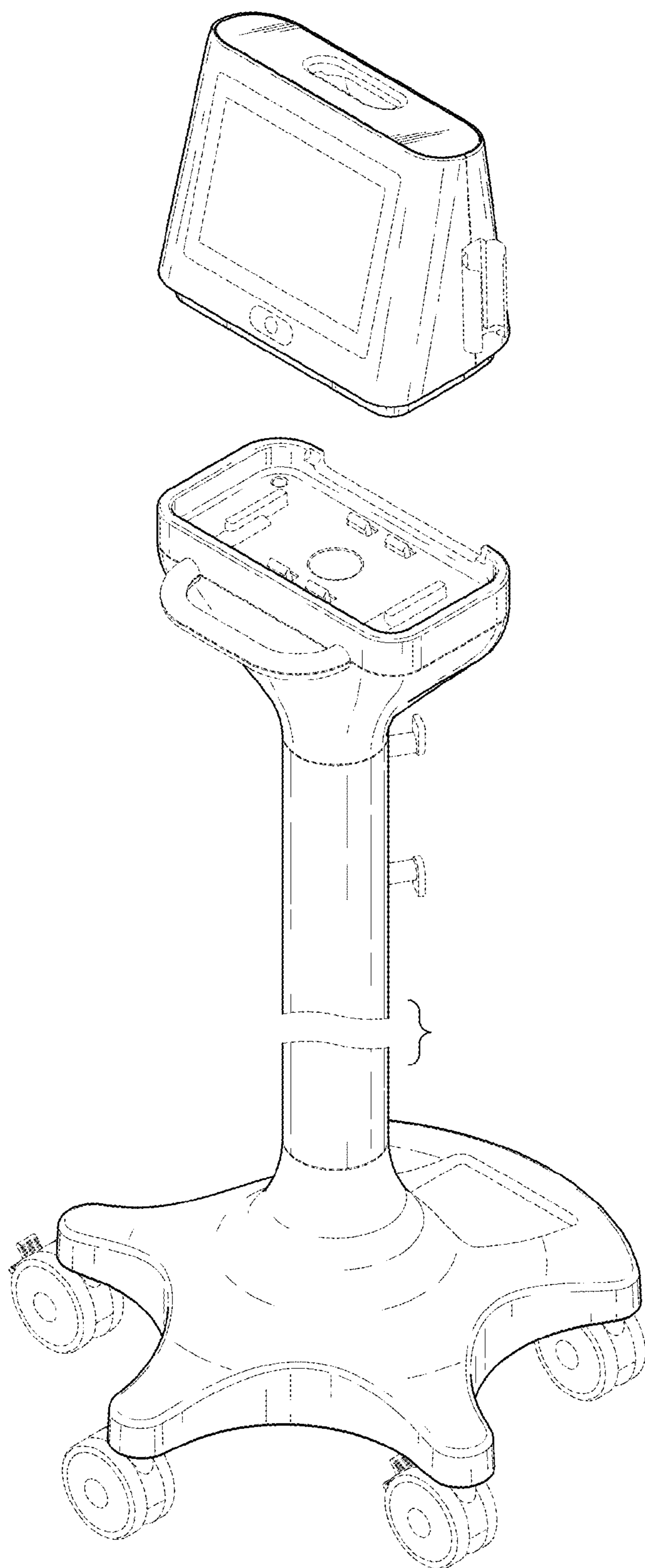


Fig. 8

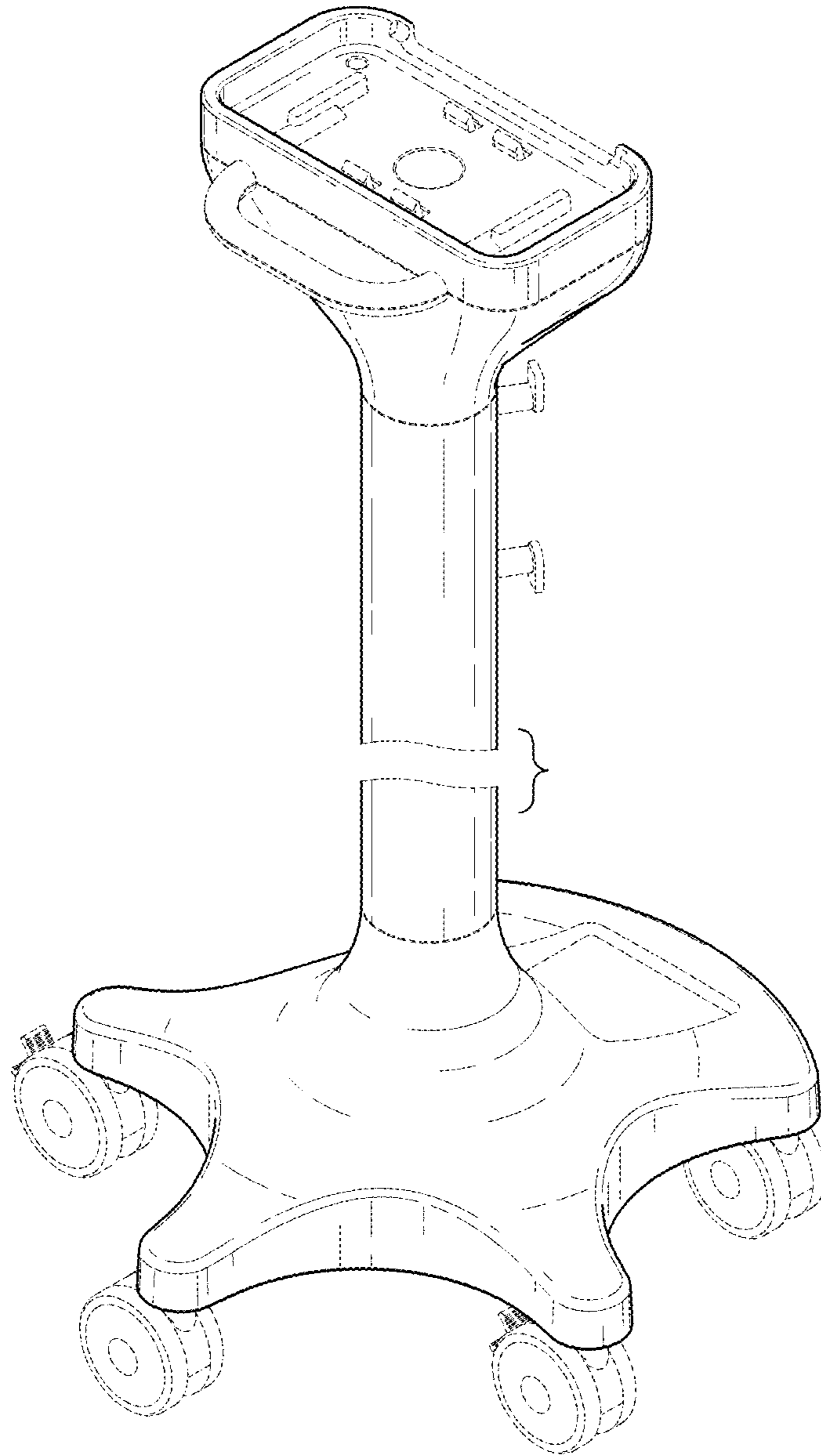


Fig. 9

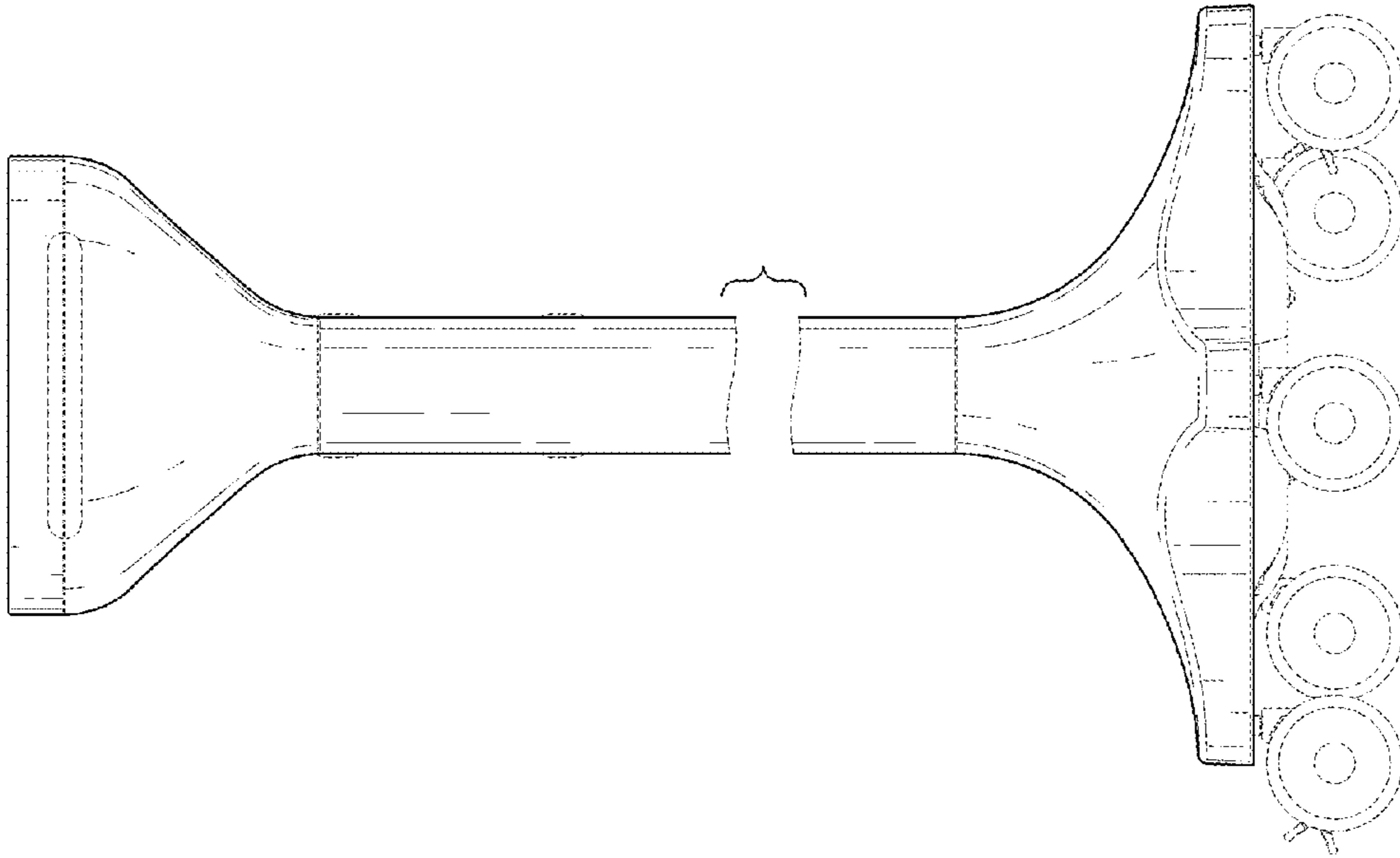


Fig. 11

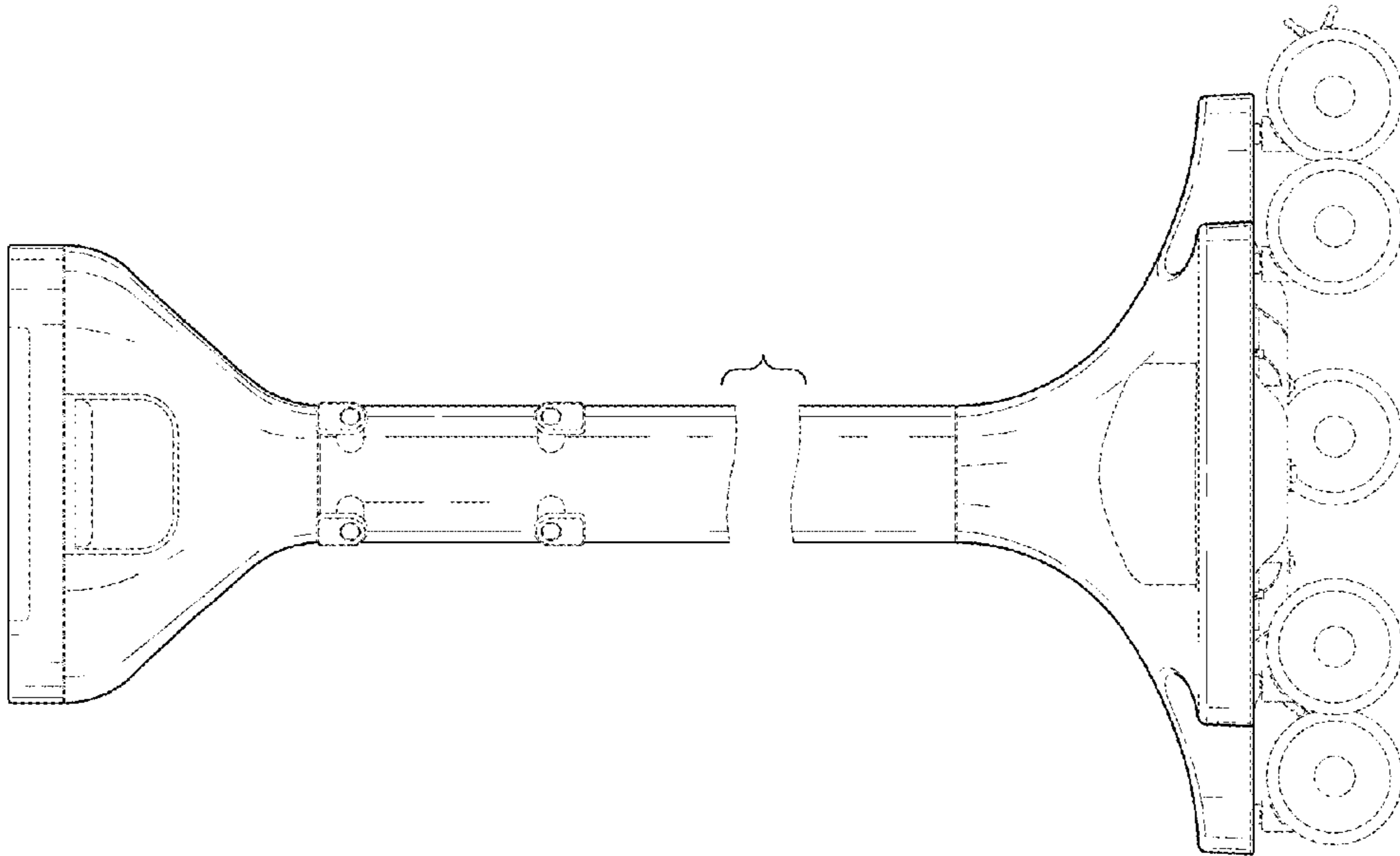


Fig. 10

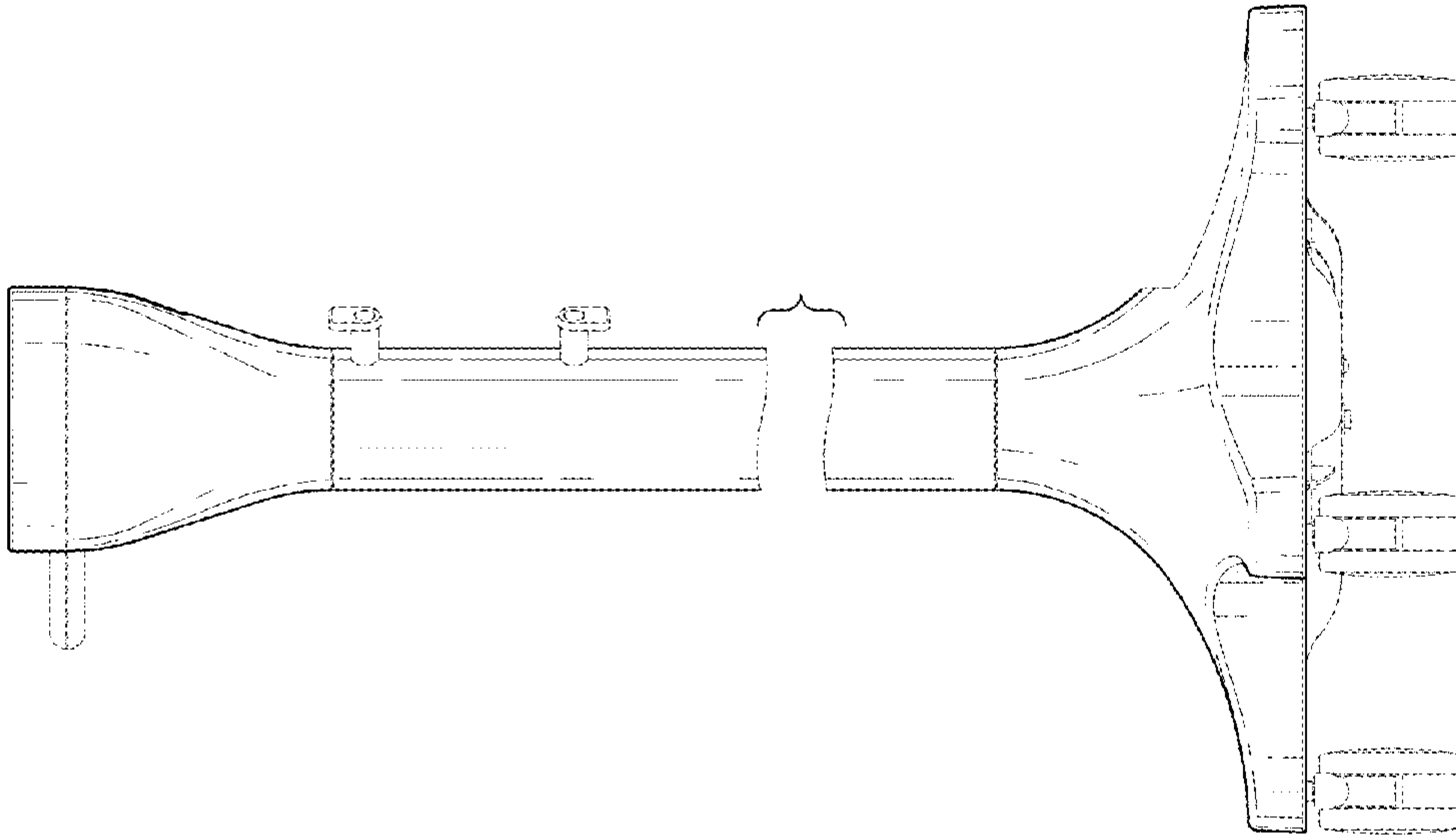


Fig. 13

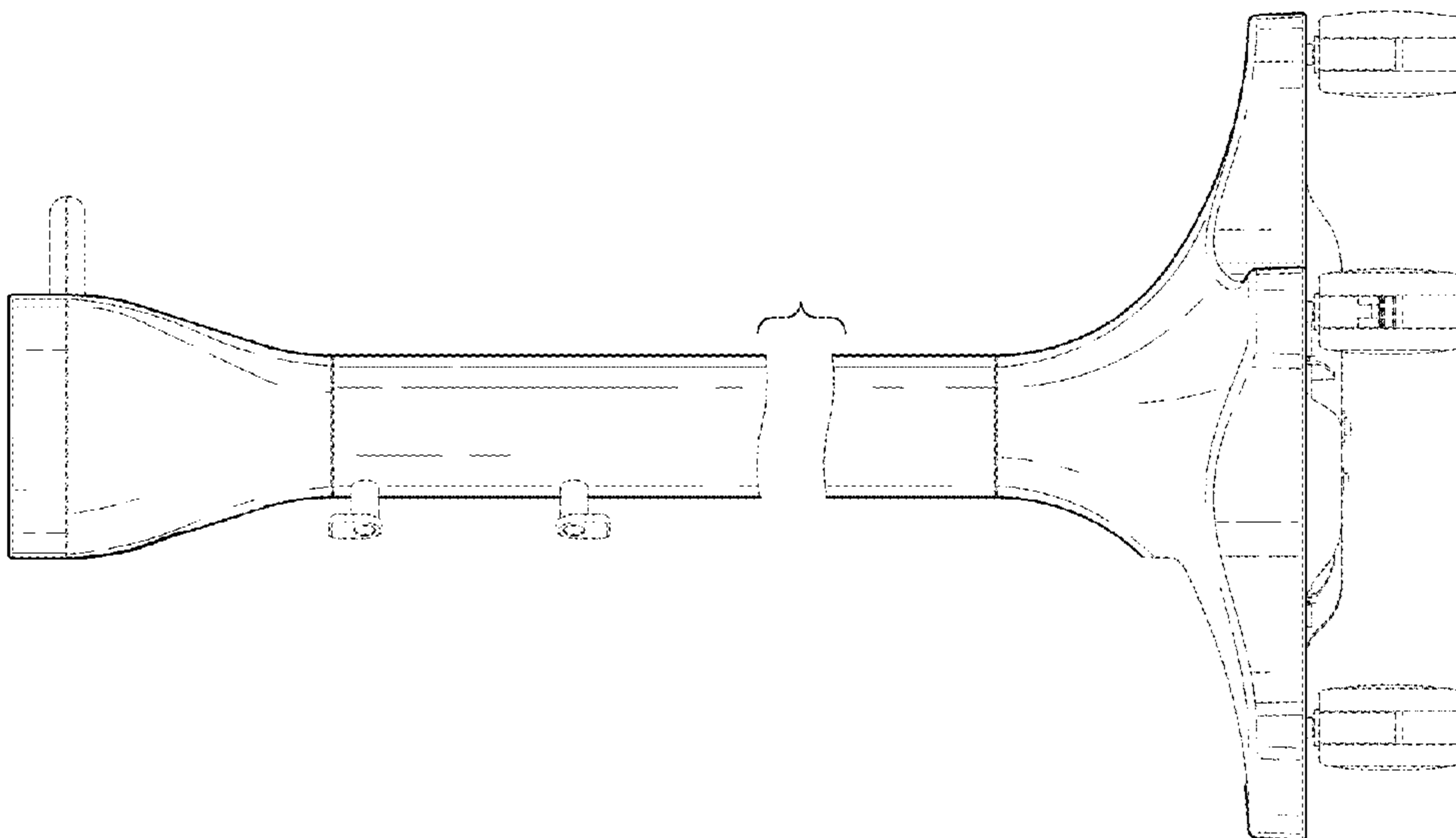


Fig. 12

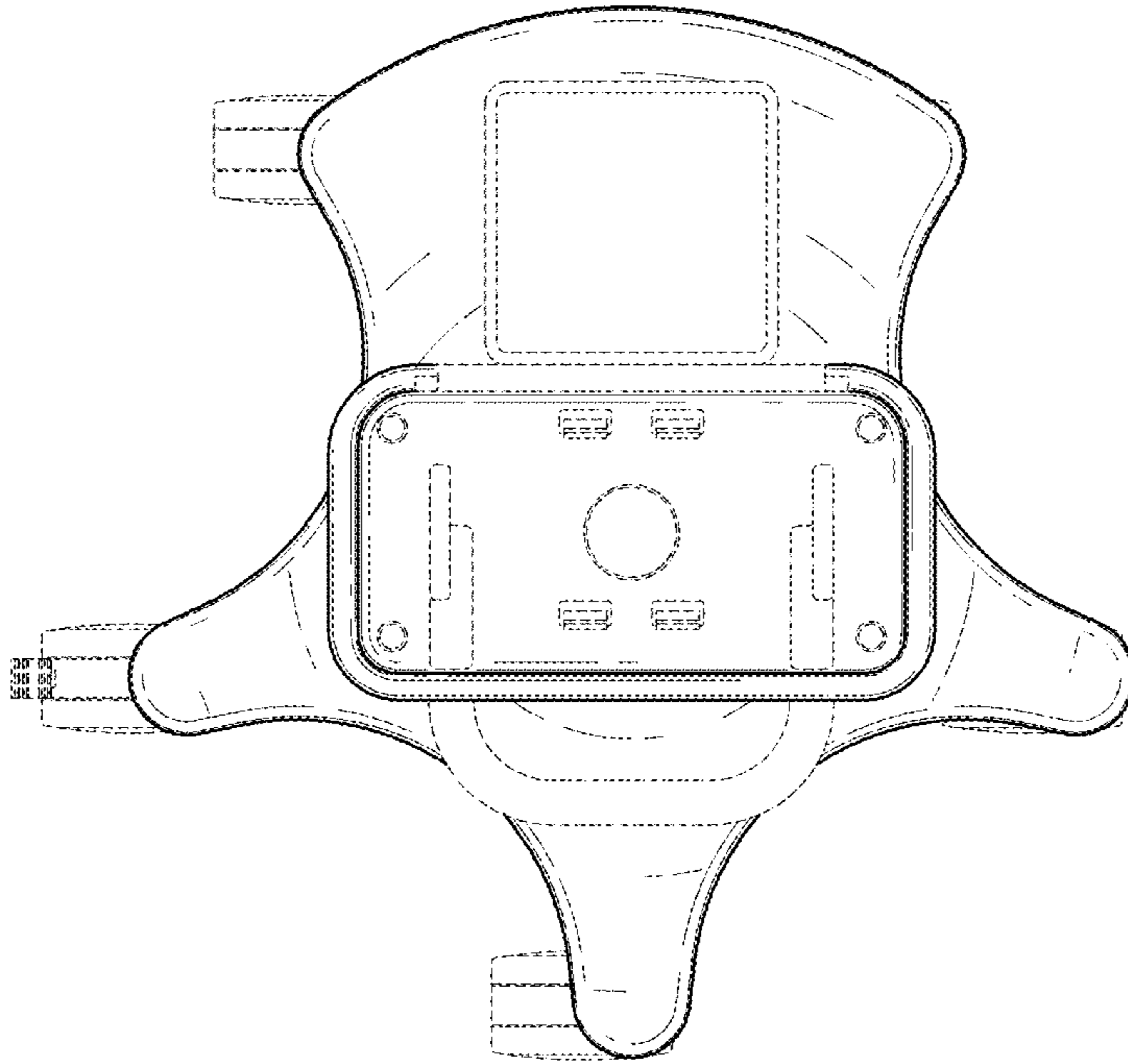


Fig. 14

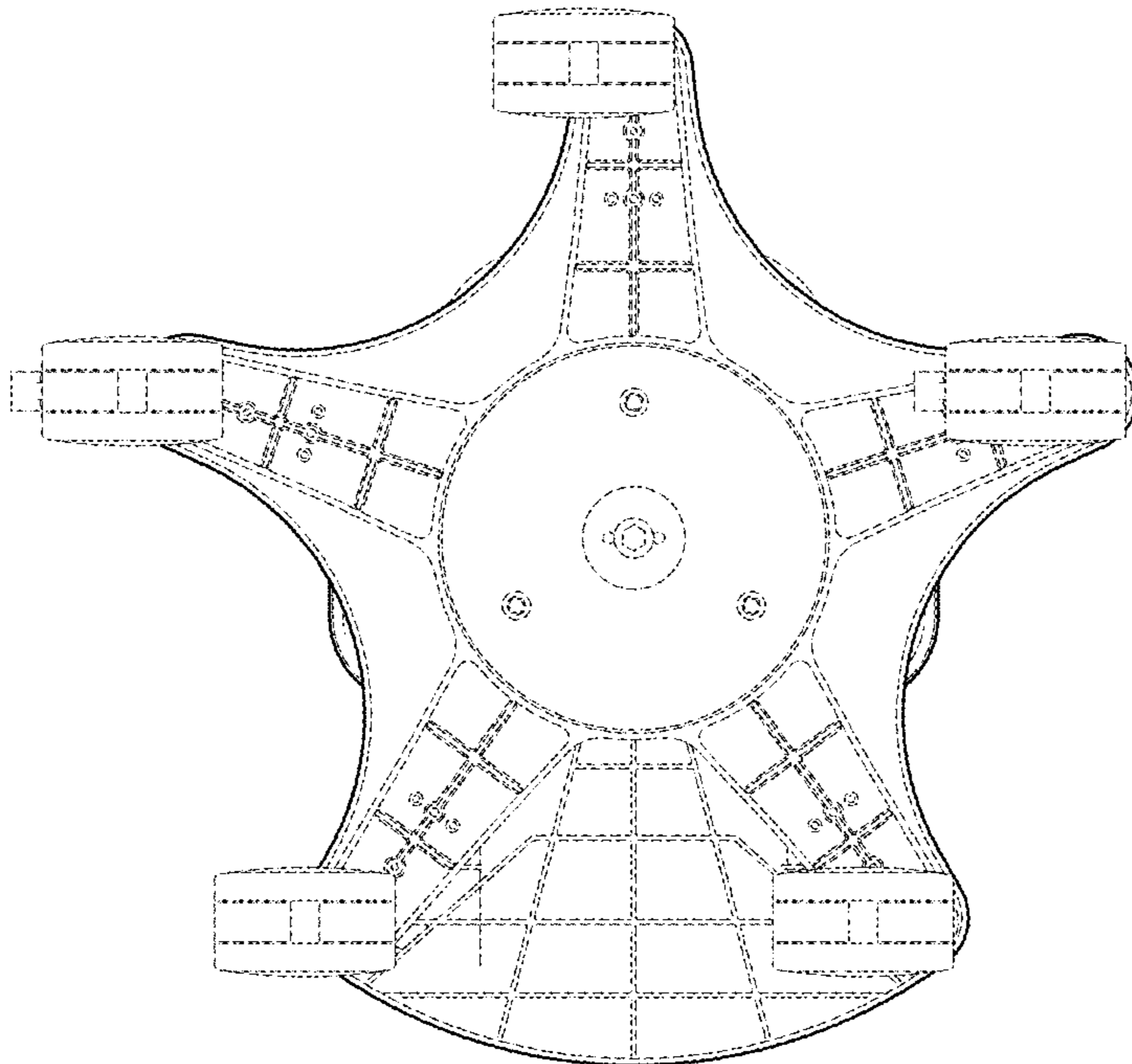


Fig. 15

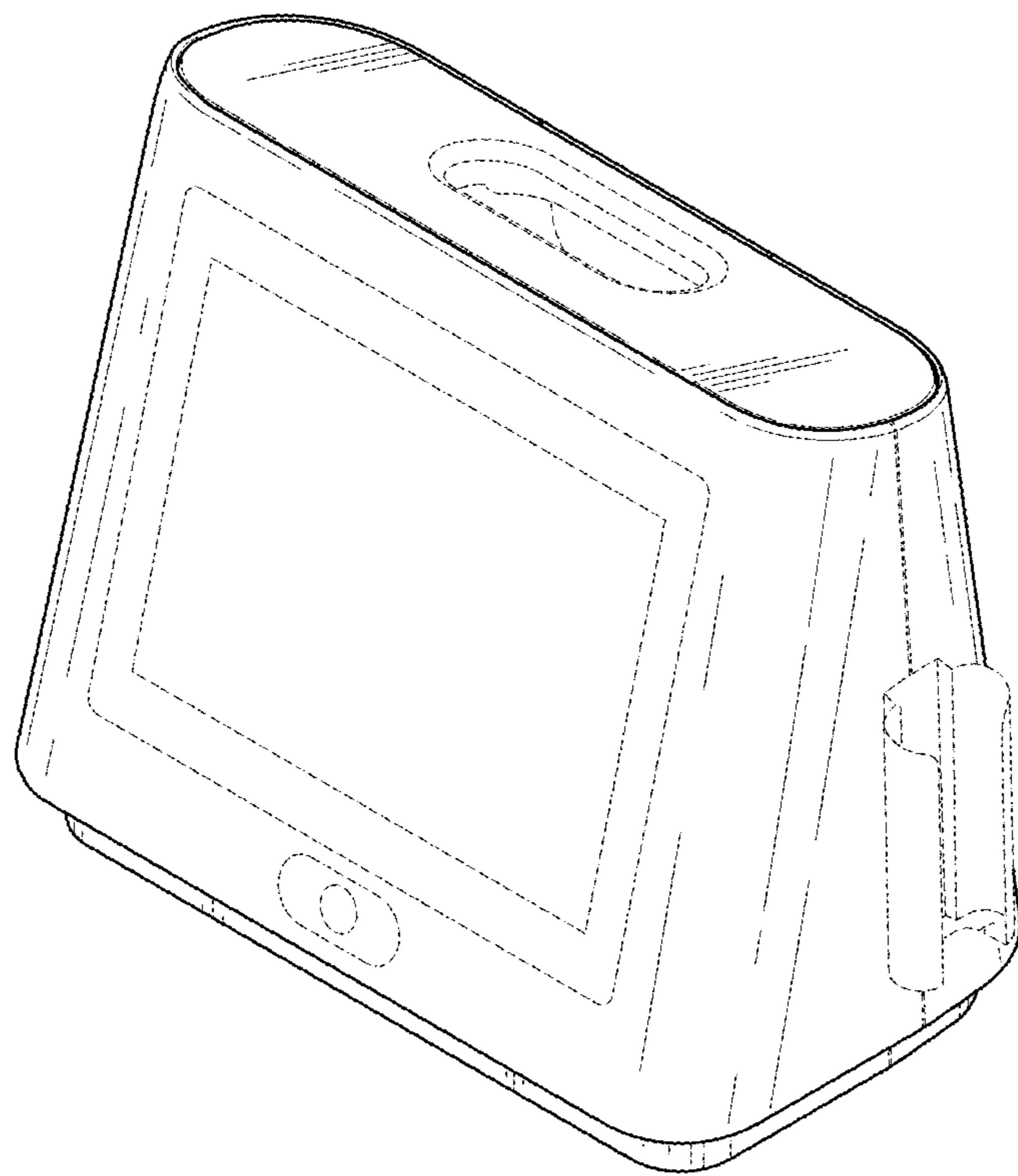


Fig. 16

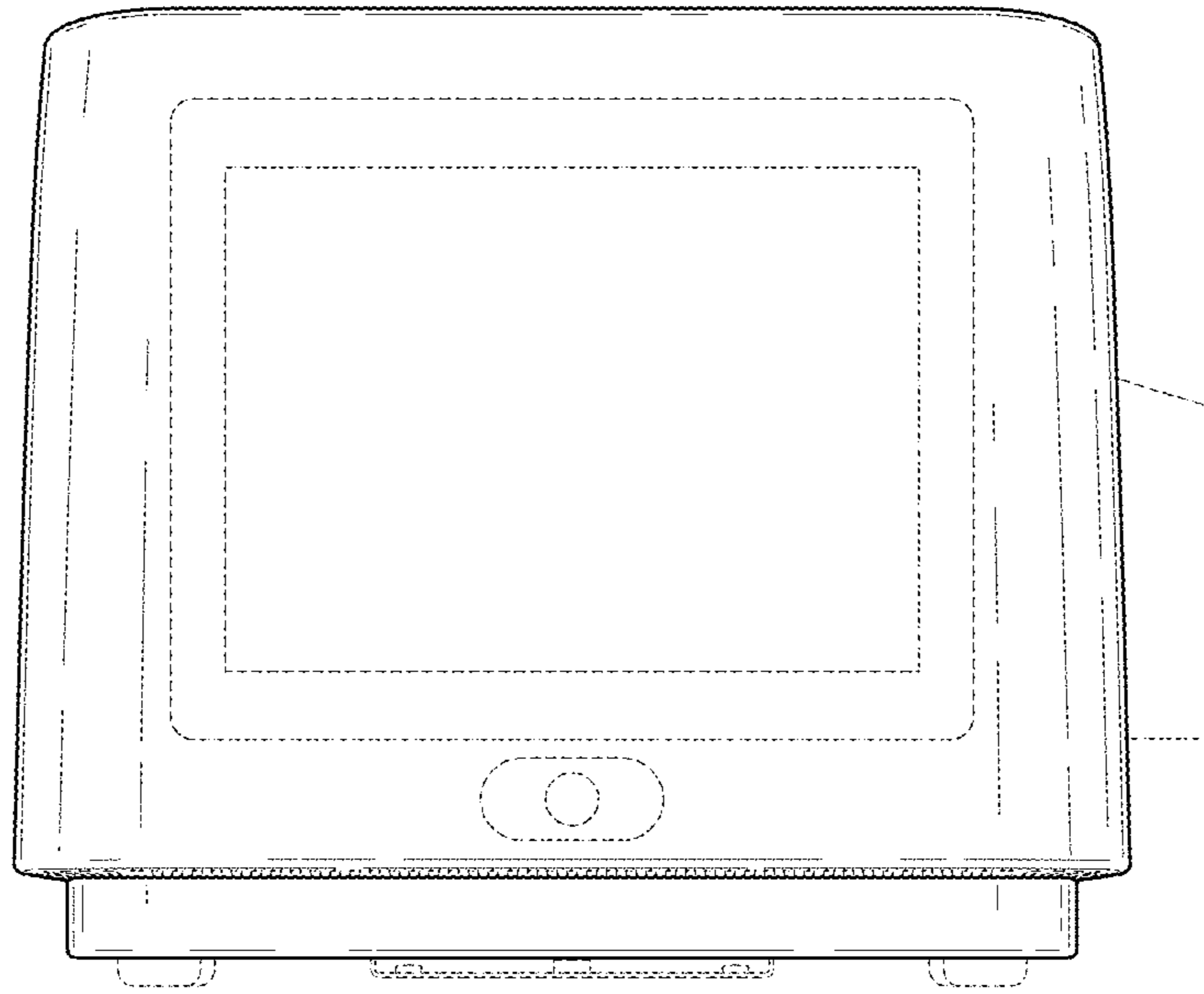


Fig. 17

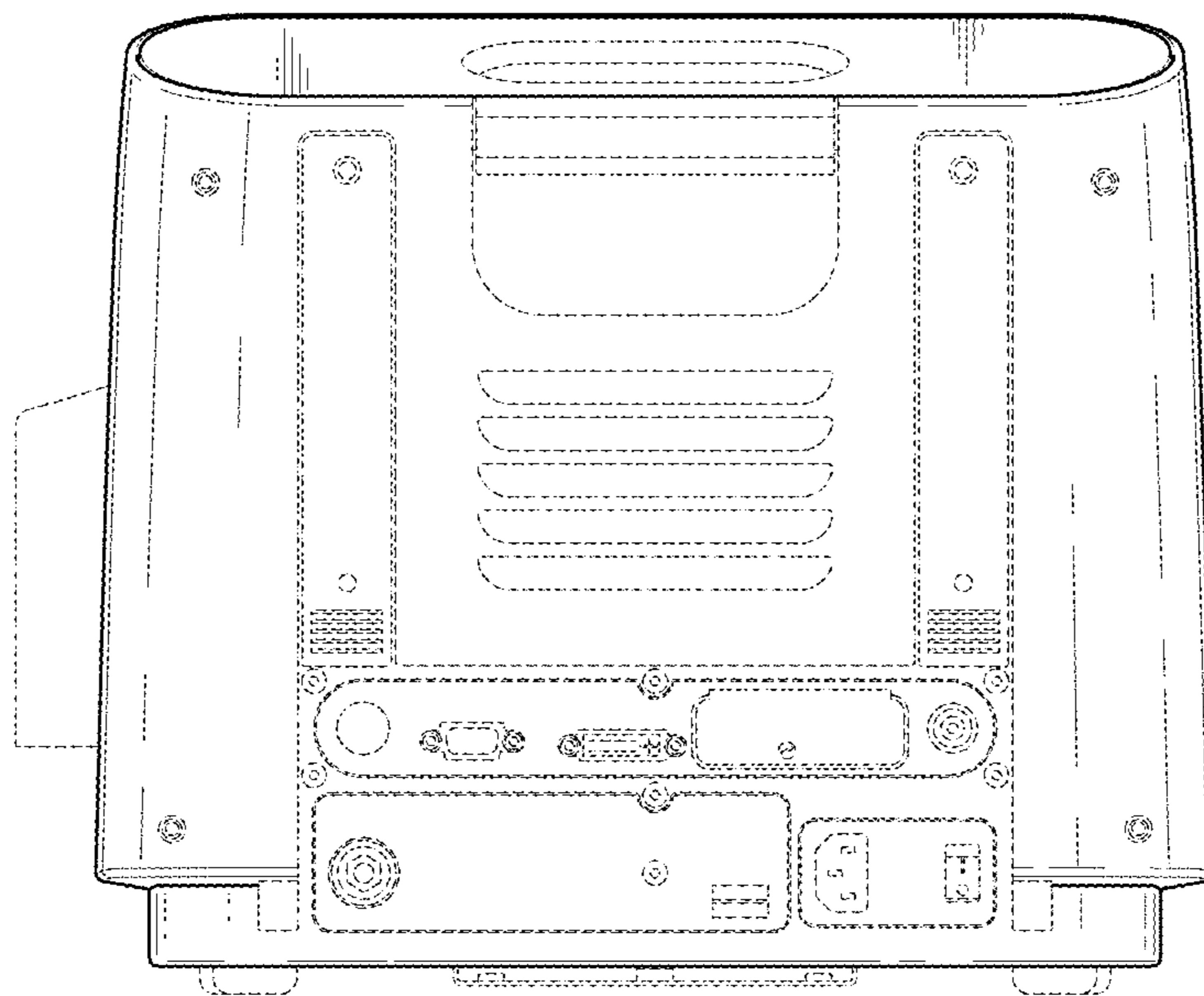


Fig. 18

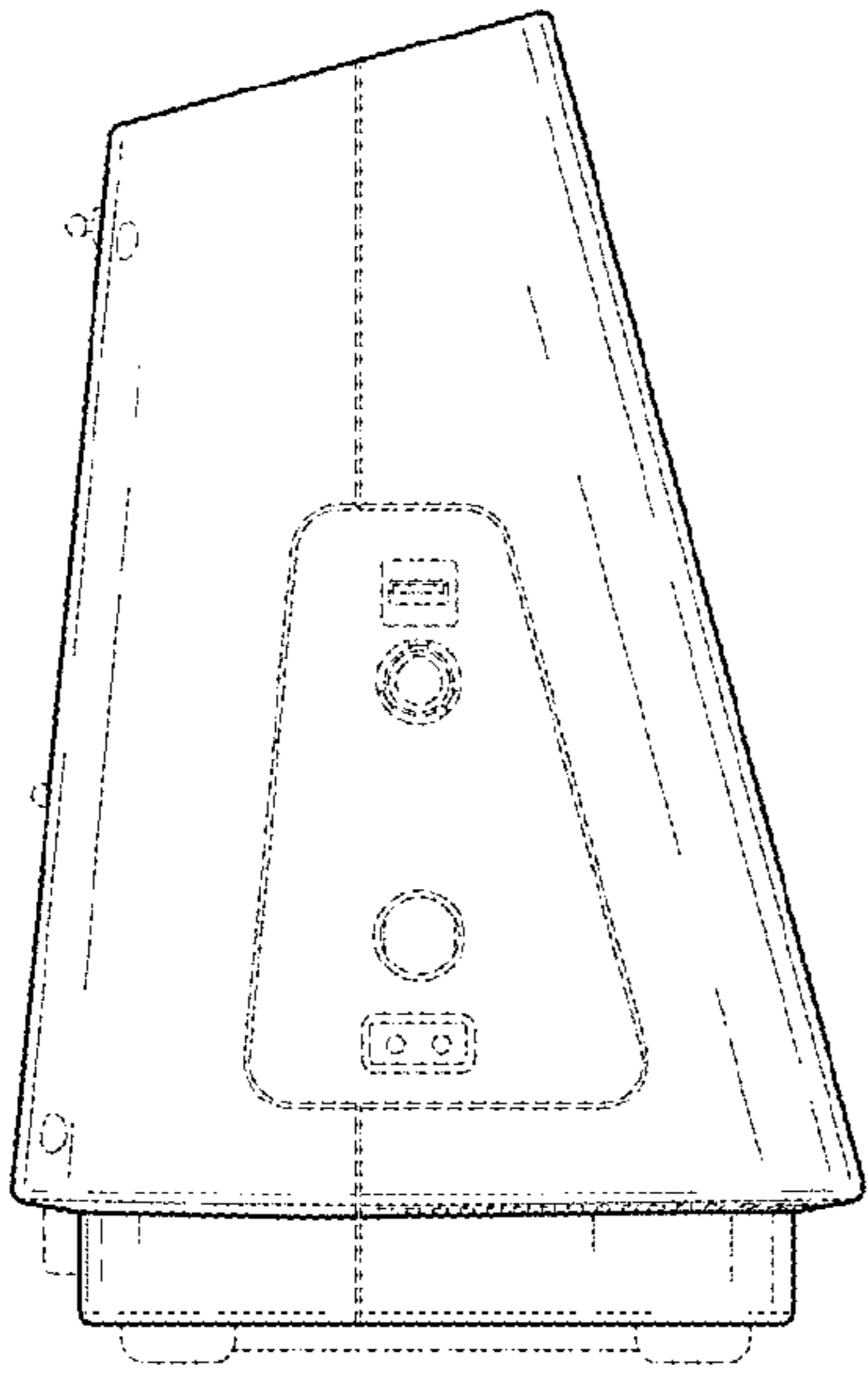


Fig. 19

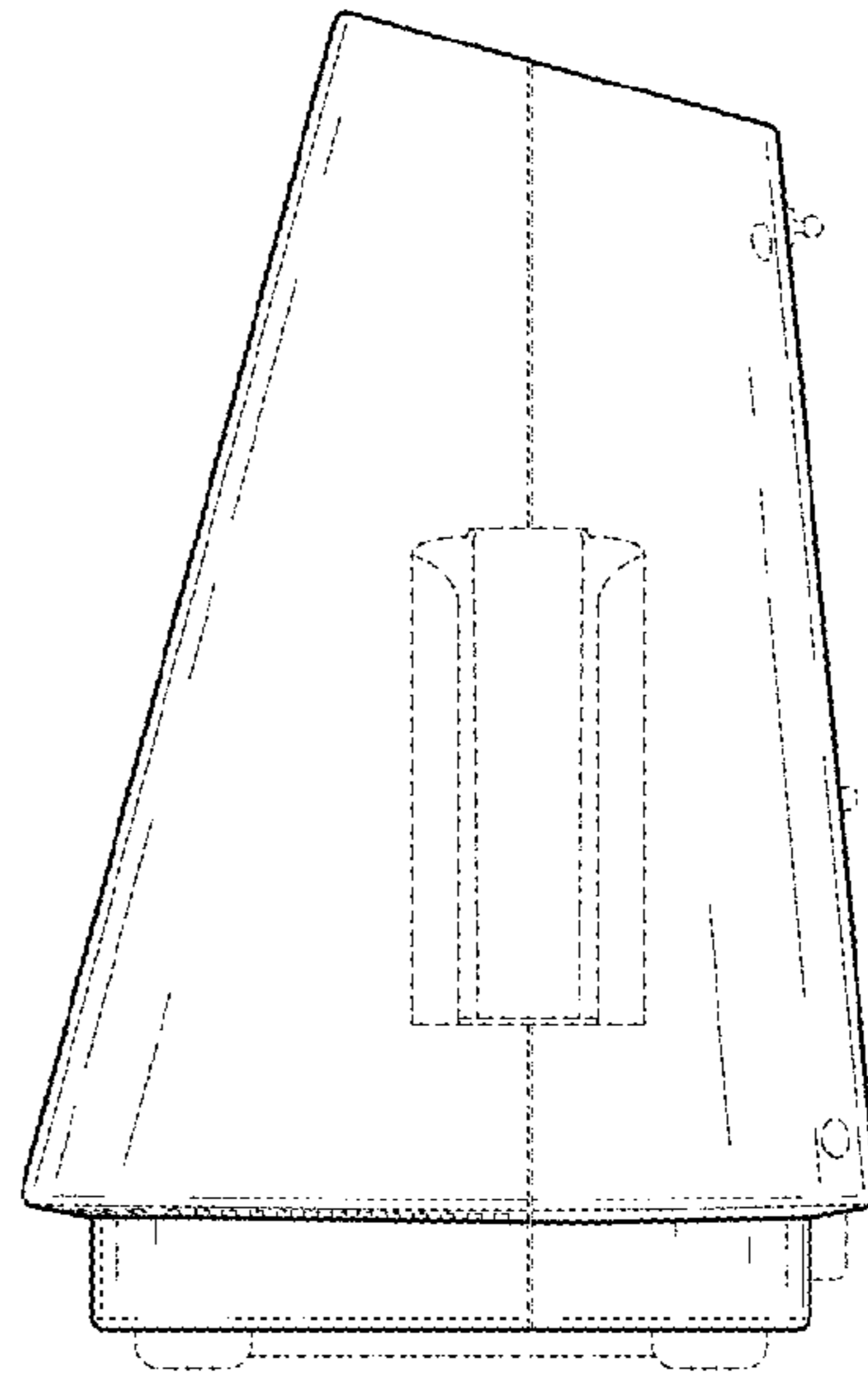


Fig. 20

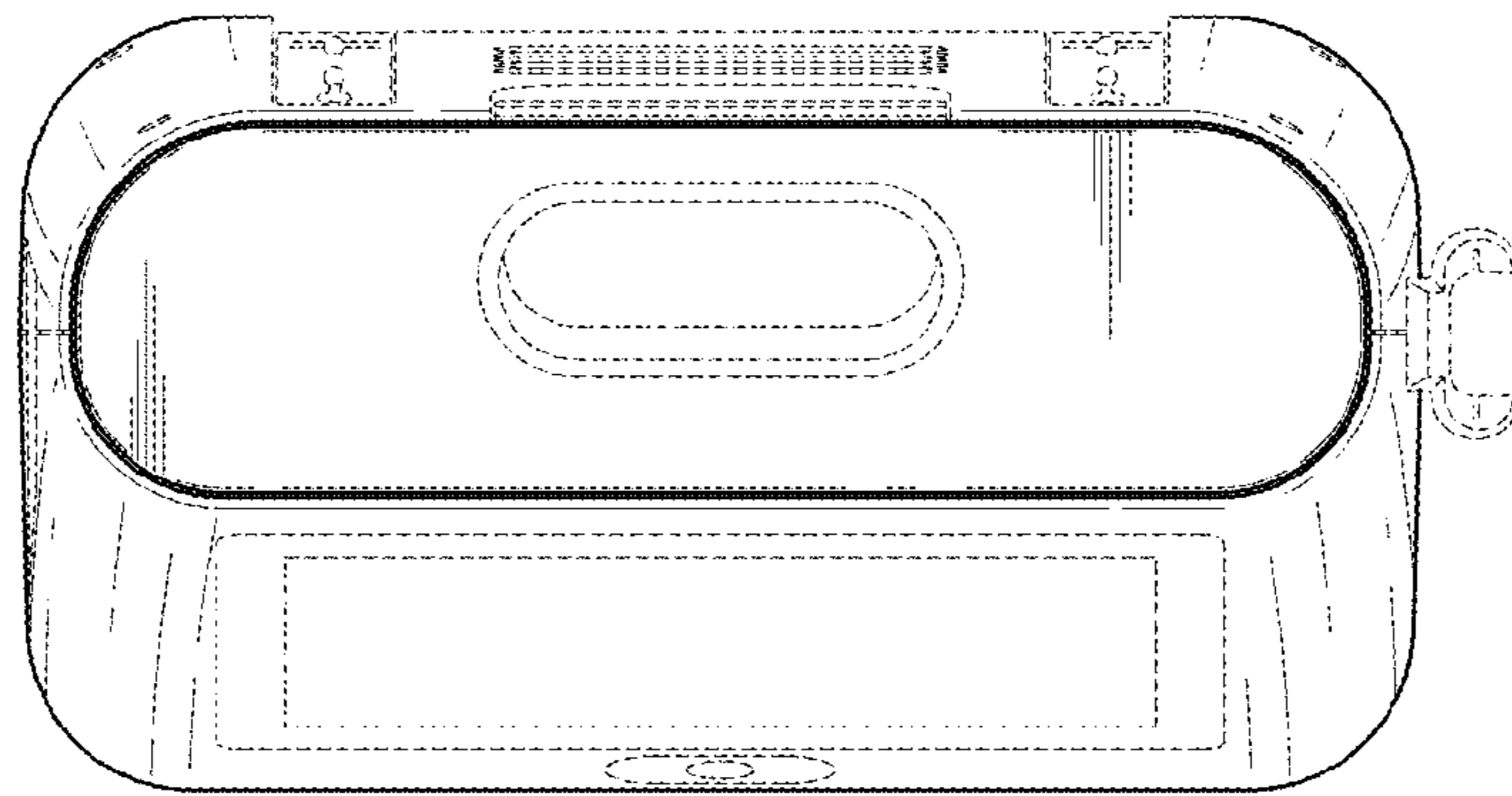


Fig. 21

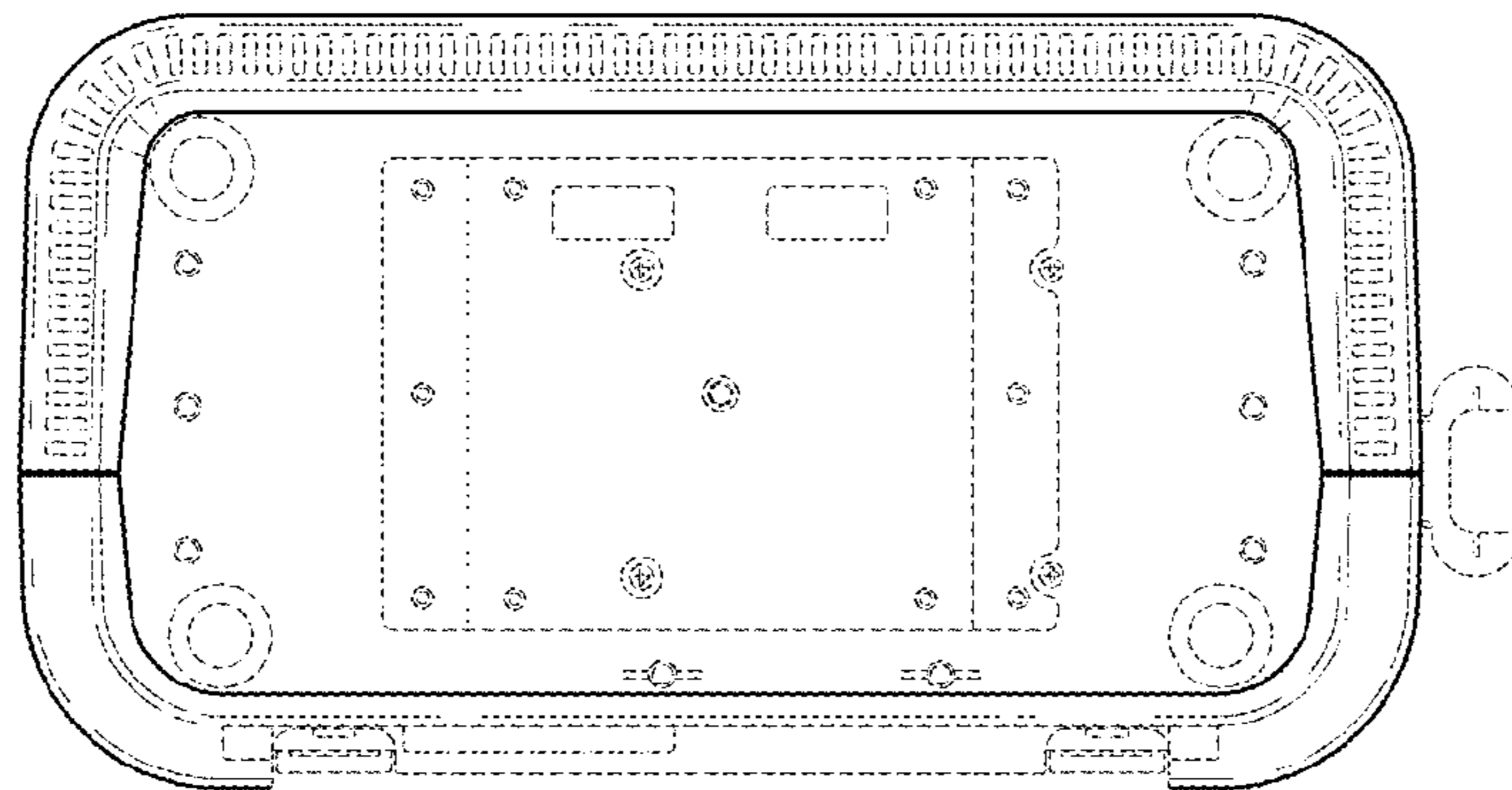


Fig. 22