



US00D712352S

(12) **United States Design Patent**
George et al.

(10) **Patent No.:** **US D712,352 S**
(45) **Date of Patent:** **** Sep. 2, 2014**

(54) **GENERATOR**
(71) Applicant: **Medtronic Ardian Luxembourg S.a.r.l.**, Luxembourg (LU)
(72) Inventors: **William R. George**, Santa Rosa, CA (US); **Charles R. Lewis, Jr.**, Santa Rosa, CA (US)
(73) Assignee: **Medtronic Ardian Luxembourg S.a.r.l.**, Luxembourg (LU)

D530,681 S 10/2006 Huang
7,168,715 B1 1/2007 Friedman
7,188,847 B1 3/2007 Friedman
D546,761 S * 7/2007 Schnackenberg D13/122
D549,185 S 8/2007 Tan
7,270,339 B2 9/2007 Feick
D553,324 S 10/2007 Lieblein
D572,205 S 7/2008 Landerholm et al.
D573,534 S * 7/2008 Andersson et al. D13/122
D574,323 S * 8/2008 Waaler D13/112

(Continued)

(**) Term: **14 Years**

(21) Appl. No.: **29/447,469**

(22) Filed: **Mar. 4, 2013**

(51) **LOC (10) Cl.** **13-01**

(52) **U.S. Cl.**
USPC **D13/112; D24/170**

(58) **Field of Classification Search**
USPC D13/112, 114, 118, 122, 123, 168, 184, D13/199; D24/170, 232; 310/300, 309, 311, 310/314, 319; 322/1; 606/34, 41; 607/101, 607/105

See application file for complete search history.

(56) **References Cited**

U.S. PATENT DOCUMENTS

D118,060 S 12/1939 Smith
3,074,734 A 1/1963 Munson et al.
D304,112 S 10/1989 Bettess
D305,710 S 1/1990 Ng et al.
D339,441 S 9/1993 Marchant et al.
D361,058 S 8/1995 Domel et al.
D363,590 S 10/1995 Kazmerchek et al.
6,688,634 B2 2/2004 Noffsinger
D490,374 S * 5/2004 Amakawa et al. D13/112
D491,666 S * 6/2004 Kimmell et al. D24/170
D496,633 S 9/2004 Krause
D500,575 S 1/2005 Lucas
D525,947 S 8/2006 Gerard et al.
D530,680 S 10/2006 Fox et al.

OTHER PUBLICATIONS

Klein, Brian, "The Design Story Behind the Vessix V2 Renal Denervation Device," 2012, accessed Jul. 15, 2013, 3 pages. <<http://www.medgadget.com/2012/04/the-design-story-behind-the-vessix-v2-renal-denervation-device.html>>.

(Continued)

Primary Examiner — Derrick Holland

(57) **CLAIM**

The ornamental design for a generator, as shown and described.

DESCRIPTION

FIG. 1 is a front perspective view of a generator showing our new design.

FIG. 2 is a front elevational view thereof.

FIG. 3 is a back elevational view thereof.

FIG. 4 is a left side elevational view thereof.

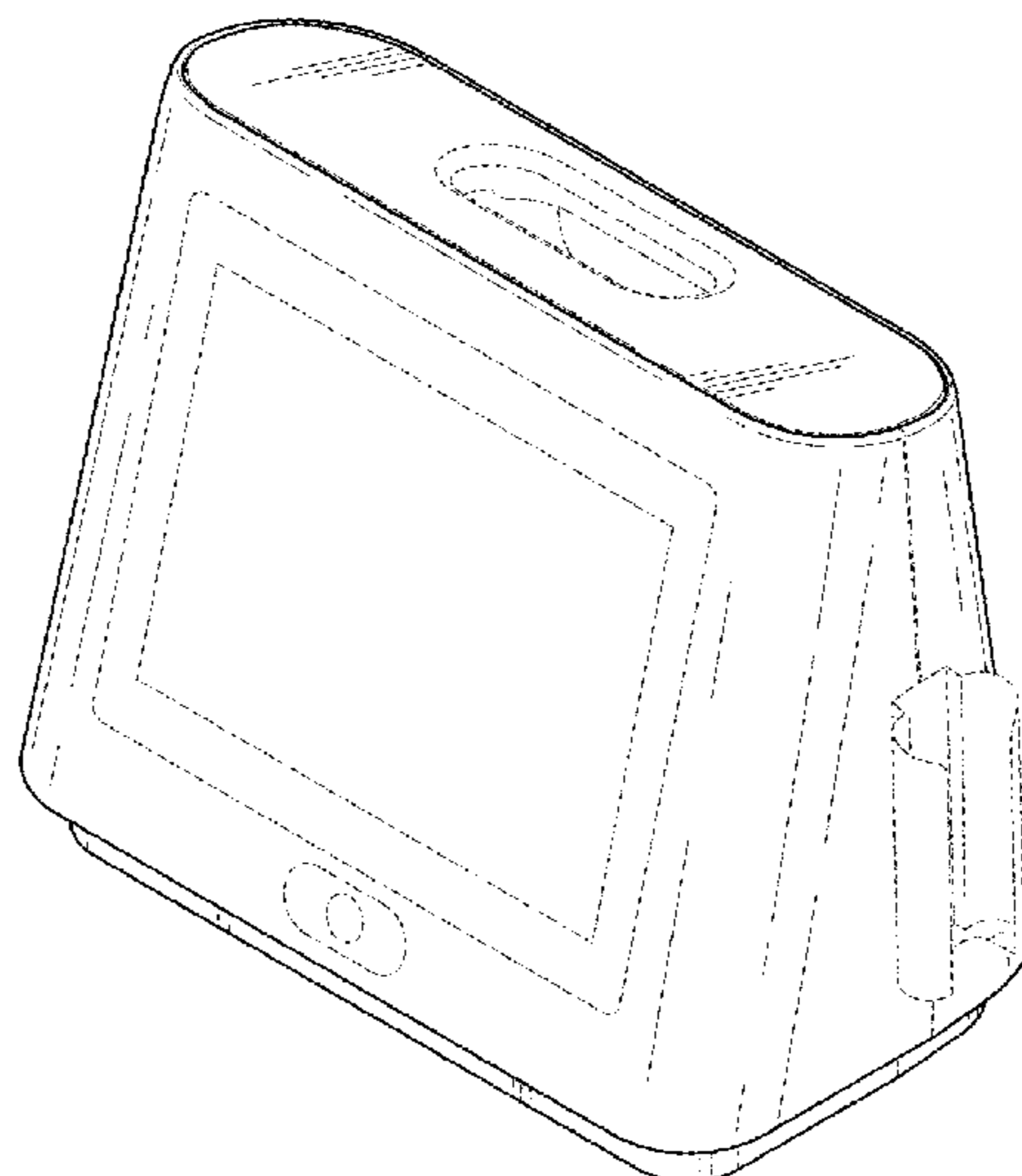
FIG. 5 is a right side elevational view thereof.

FIG. 6 is a top view thereof; and,

FIG. 7 is a bottom view thereof.

The broken lines shown represent unclaimed subject matter only and form no part of the claim. Where broken lines abut a claimed surface it is understood that those broken lines represent an unclaimed boundary between claimed and unclaimed surfaces. None of the broken lines form any part of the claimed design.

1 Claim, 3 Drawing Sheets



(56)

References Cited

U.S. PATENT DOCUMENTS

D575,747 S	8/2008	Abramovich
D576,960 S	9/2008	Aldape et al.
D602,878 S	10/2009	Coleman et al.
D633,447 S	3/2011	Schaal et al.
D668,243 S	10/2012	Aquillano
D670,472 S	11/2012	Ono
D670,660 S	11/2012	Cook

OTHER PUBLICATIONS

Wilson, Mark, "A Gold Rush In Medical Design, Inspired Partly By ipads," Co.Design: business + innovation + design, 2012, accessed Jul. 15, 2013, 3 pages, <<http://www.fastcodesign.com/1669613/a-gold-rush-in-medical-design-inspired-partly-by-ipads>>.

* cited by examiner

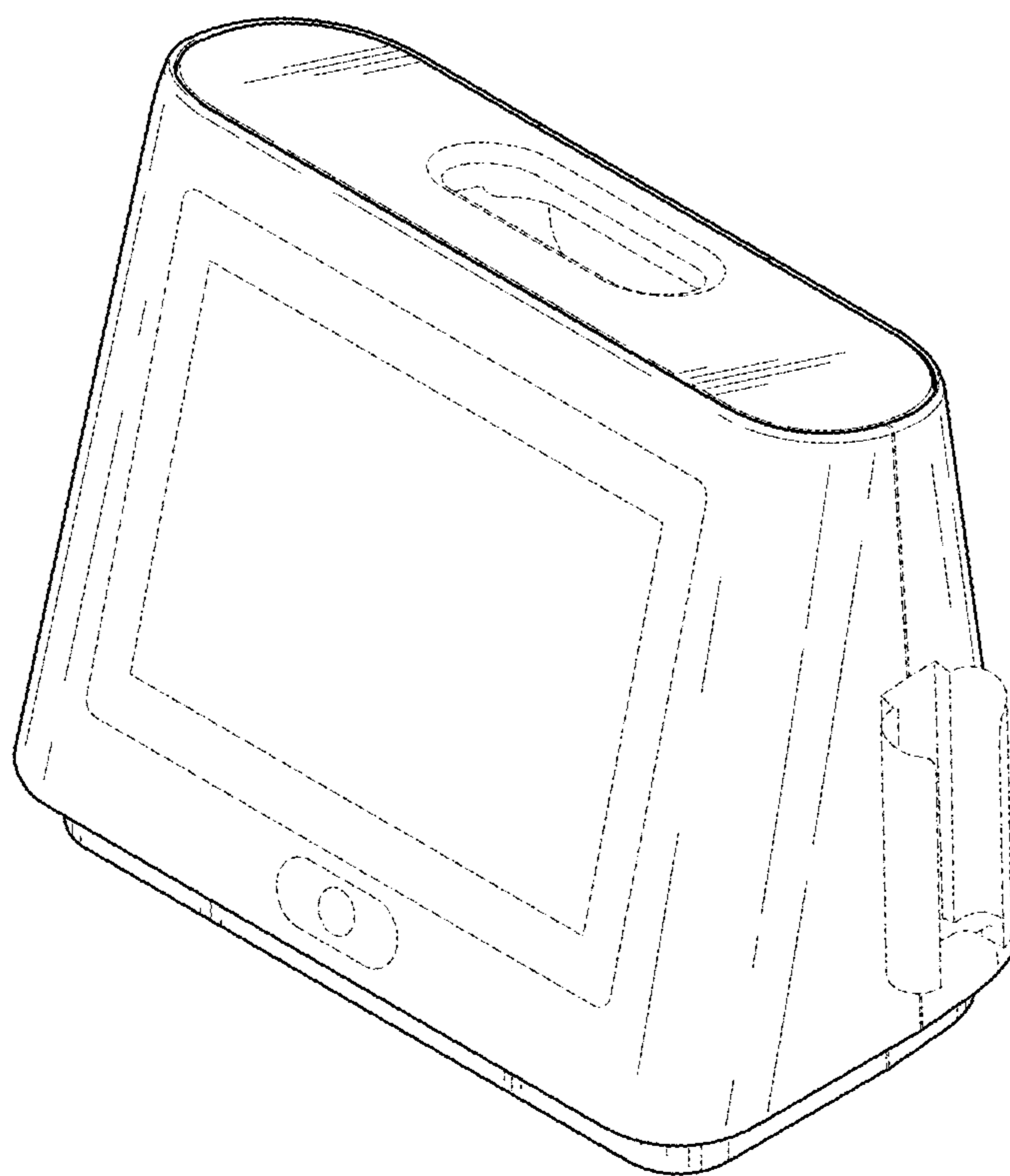


Fig. 1

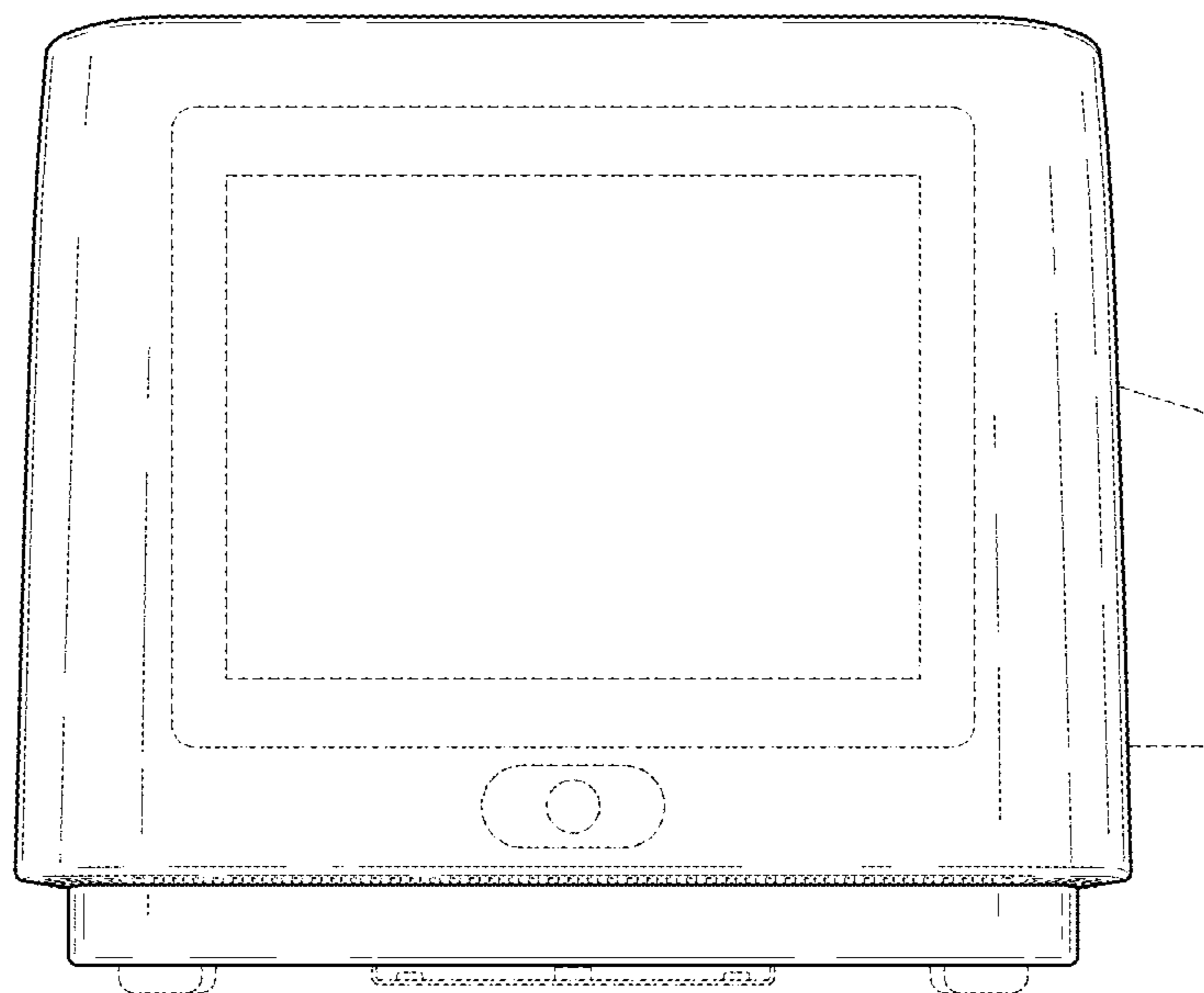


Fig. 2

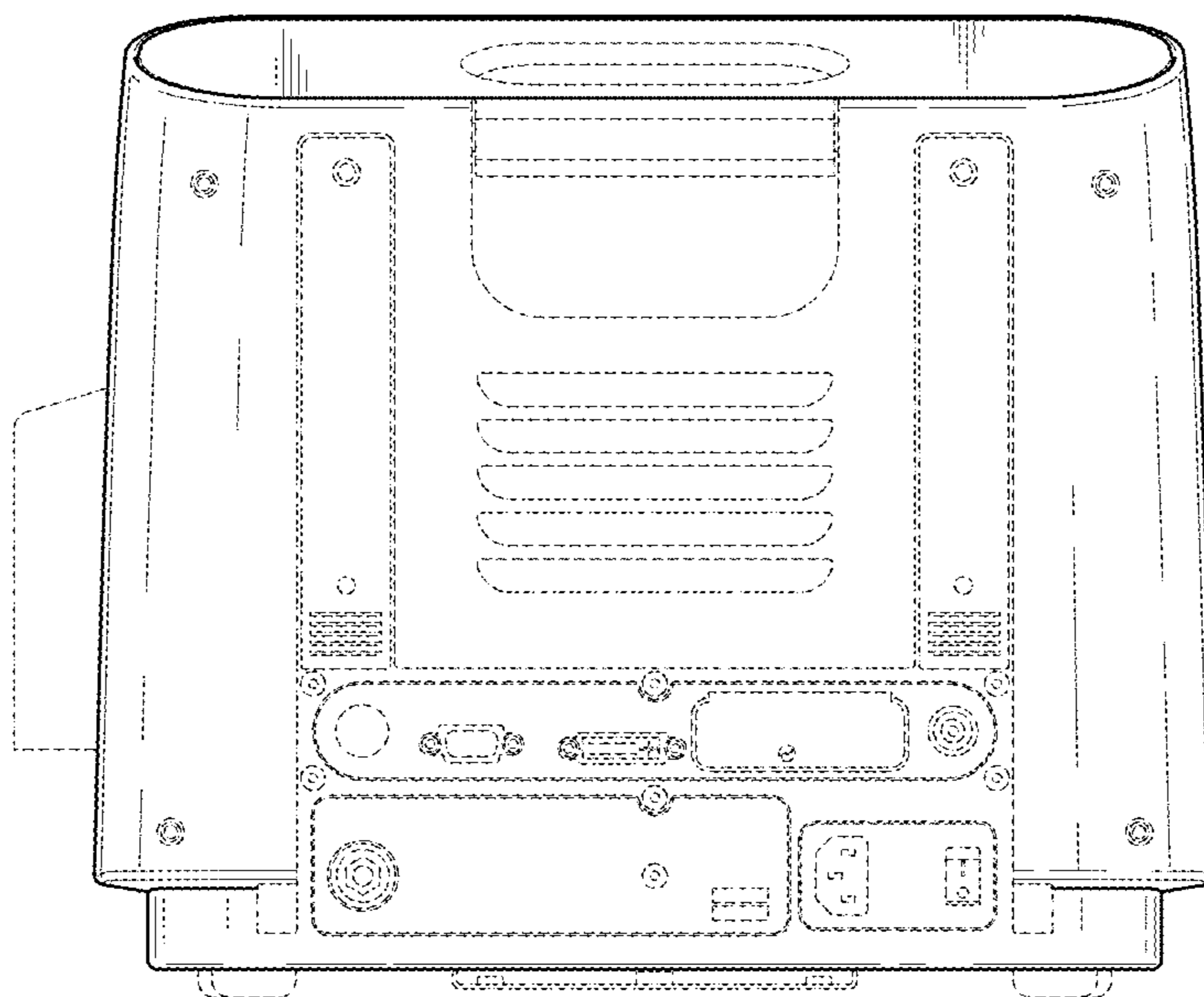


Fig. 3

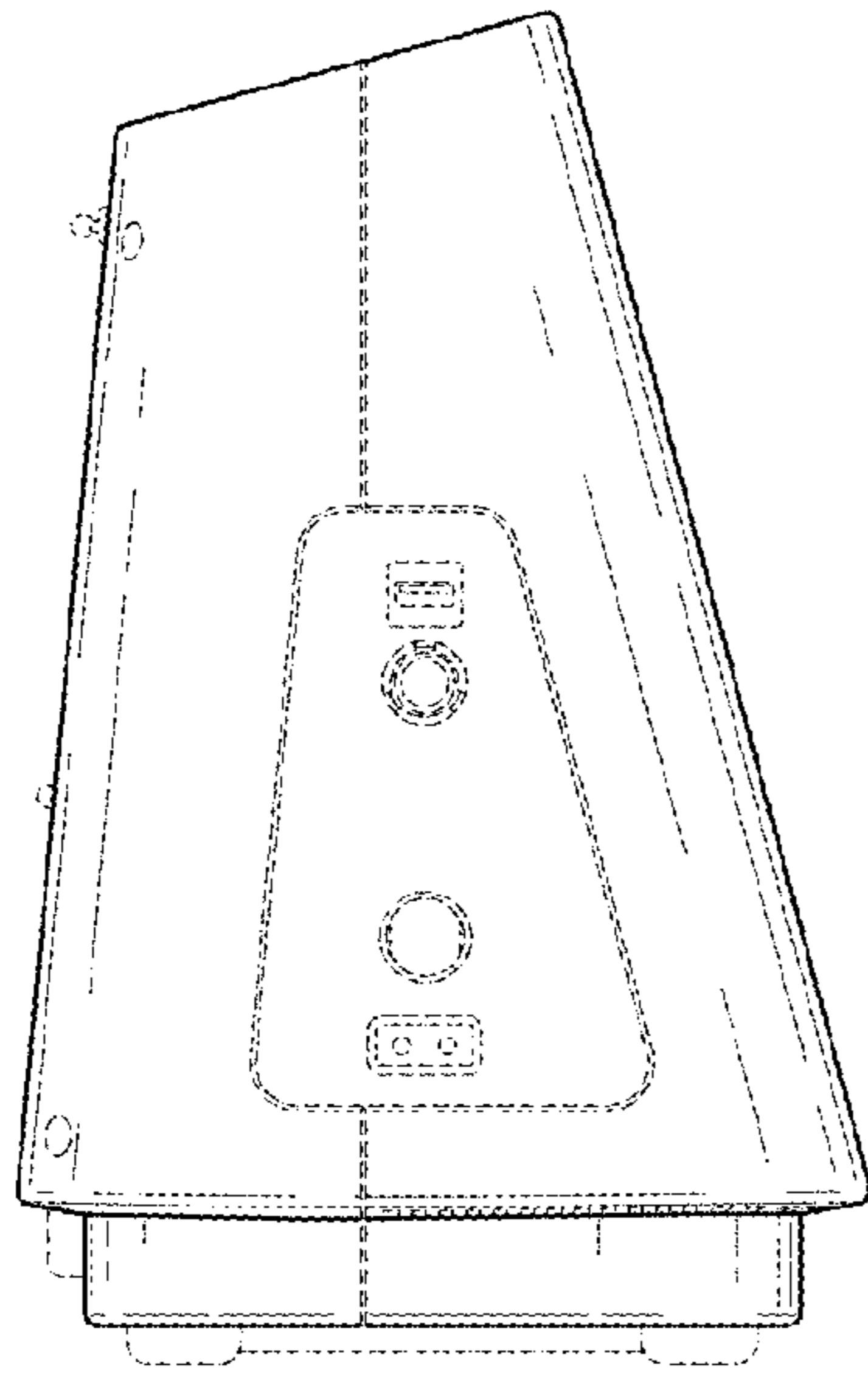


Fig. 4

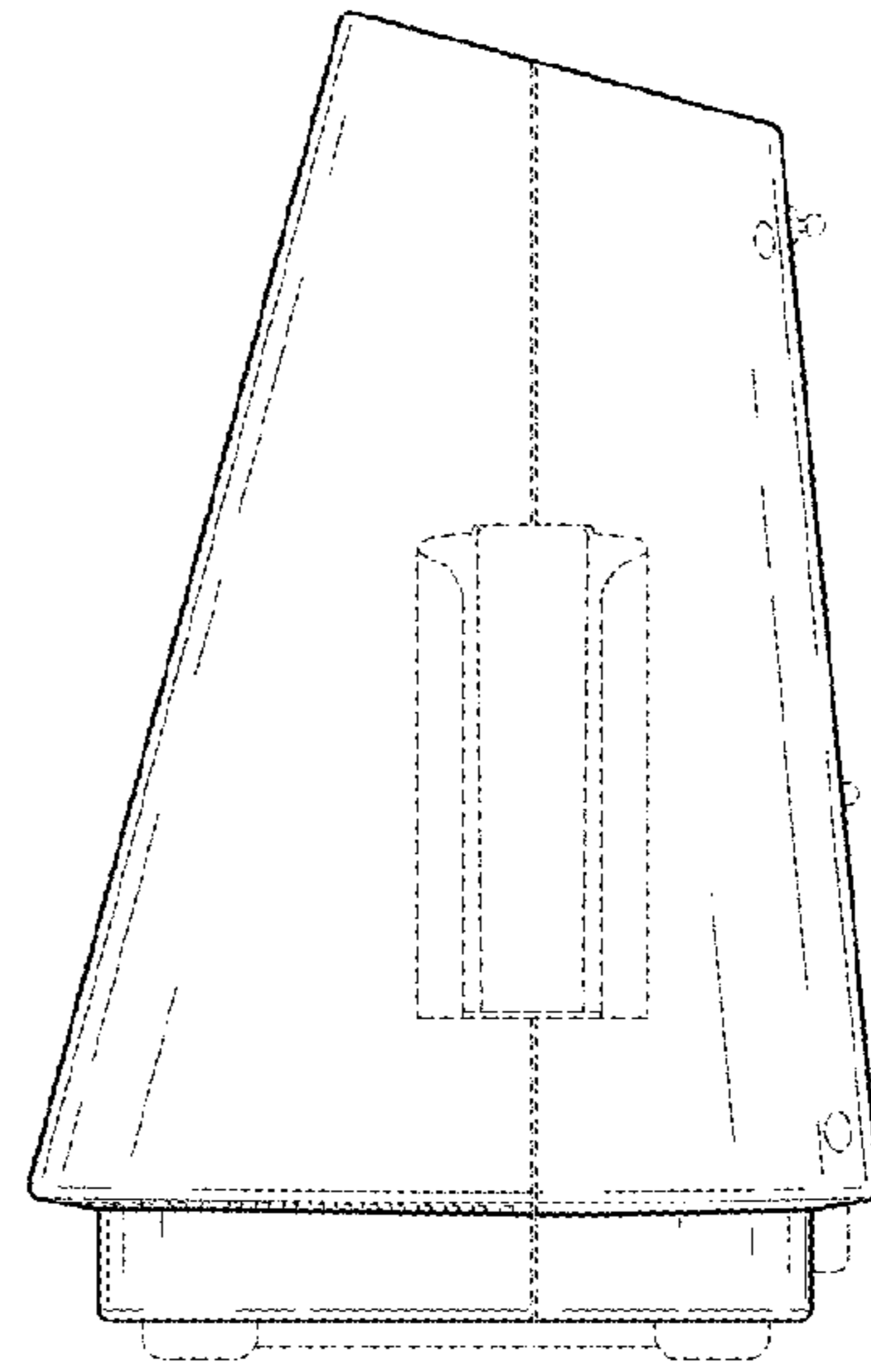


Fig. 5

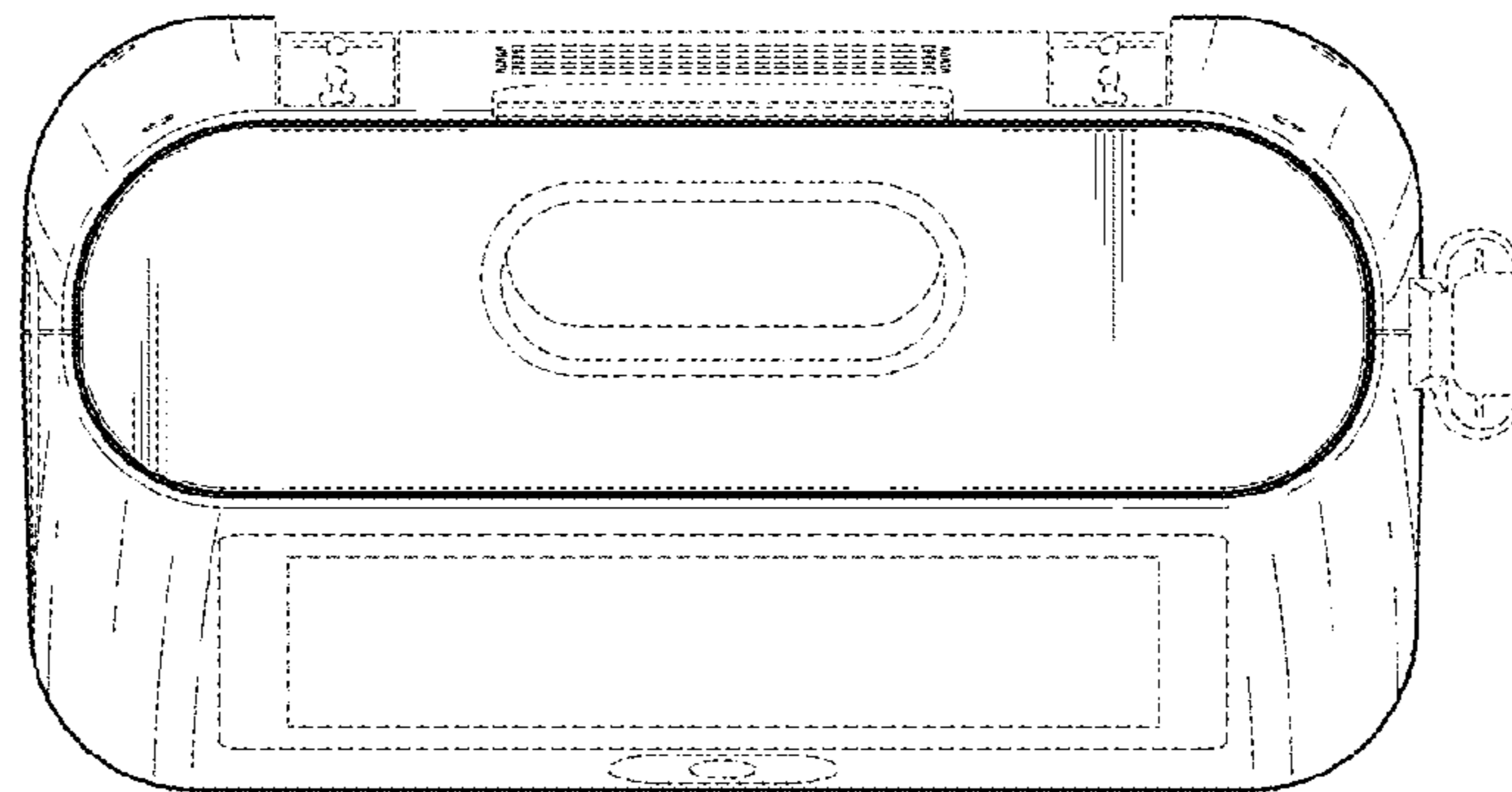


Fig. 6

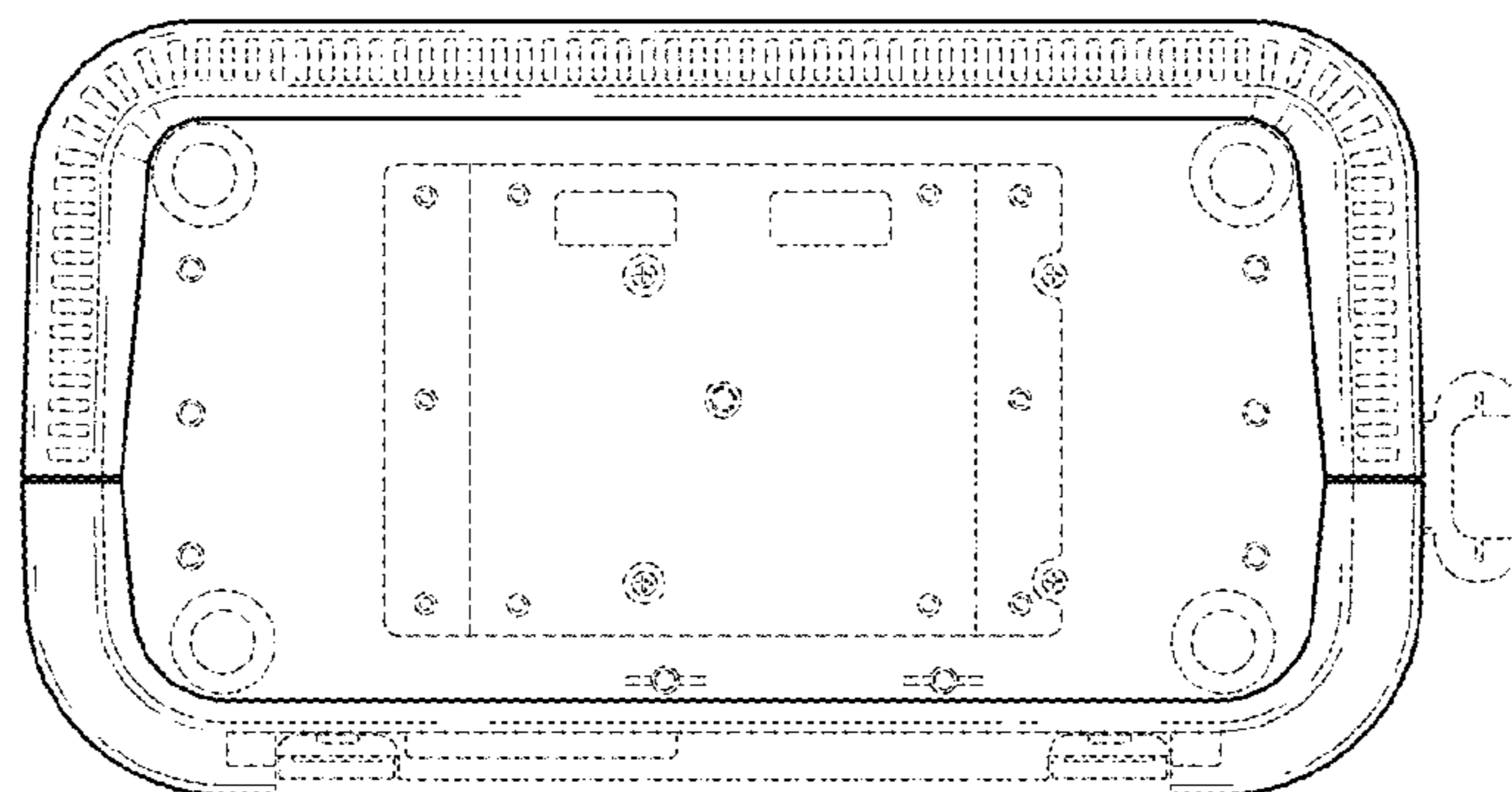


Fig. 7