



US00D712347S

(12) **United States Design Patent**
Awiszus et al.

(10) **Patent No.:** **US D712,347 S**

(45) **Date of Patent:** **** Sep. 2, 2014**

(54) **BATTERY**

(71) Applicant: **3M Innovative Properties Company**,
St. Paul, MN (US)

(72) Inventors: **Steven T. Awiszus**, Woodbury, MN (US);
Johan M. Sallander, Jönköping (SE)

(73) Assignee: **3M Innovative Properties Company**,
St. Paul, MN (US)

(**) Term: **14 Years**

(21) Appl. No.: **29/470,562**

(22) Filed: **Oct. 22, 2013**

(51) **LOC (10) Cl.** **13-02**

(52) **U.S. Cl.**
USPC **D13/103**

(58) **Field of Classification Search**
USPC D13/102–104, 110, 118–121, 184, 199;
429/96–100, 163, 176
See application file for complete search history.

(56) **References Cited**

U.S. PATENT DOCUMENTS

D382,536 S * 8/1997 Amero, Jr. D13/103
D399,484 S * 10/1998 Higgins et al. D13/103

D481,008 S * 10/2003 Wade D13/103
D492,248 S * 6/2004 Gregory et al. D13/103
D554,579 S * 11/2007 Ogasawara D13/103
D580,851 S * 11/2008 Kumthampinij et al. D13/103
D581,867 S * 12/2008 Crawford et al. D13/103
D680,061 S * 4/2013 Jiang et al. D13/103
D686,153 S * 7/2013 Qu D13/103
D697,024 S * 1/2014 Lathrop et al. D13/103

* cited by examiner

Primary Examiner — Rosemary K Tarcza

(74) *Attorney, Agent, or Firm* — David B. Patchett

(57) **CLAIM**

The ornamental design for a battery, as shown and described.

DESCRIPTION

FIG. 1 is a perspective view showing the new design for a battery;

FIG. 2 is a front view thereof;

FIG. 3 is a back view thereof;

FIG. 4 is a left side view thereof;

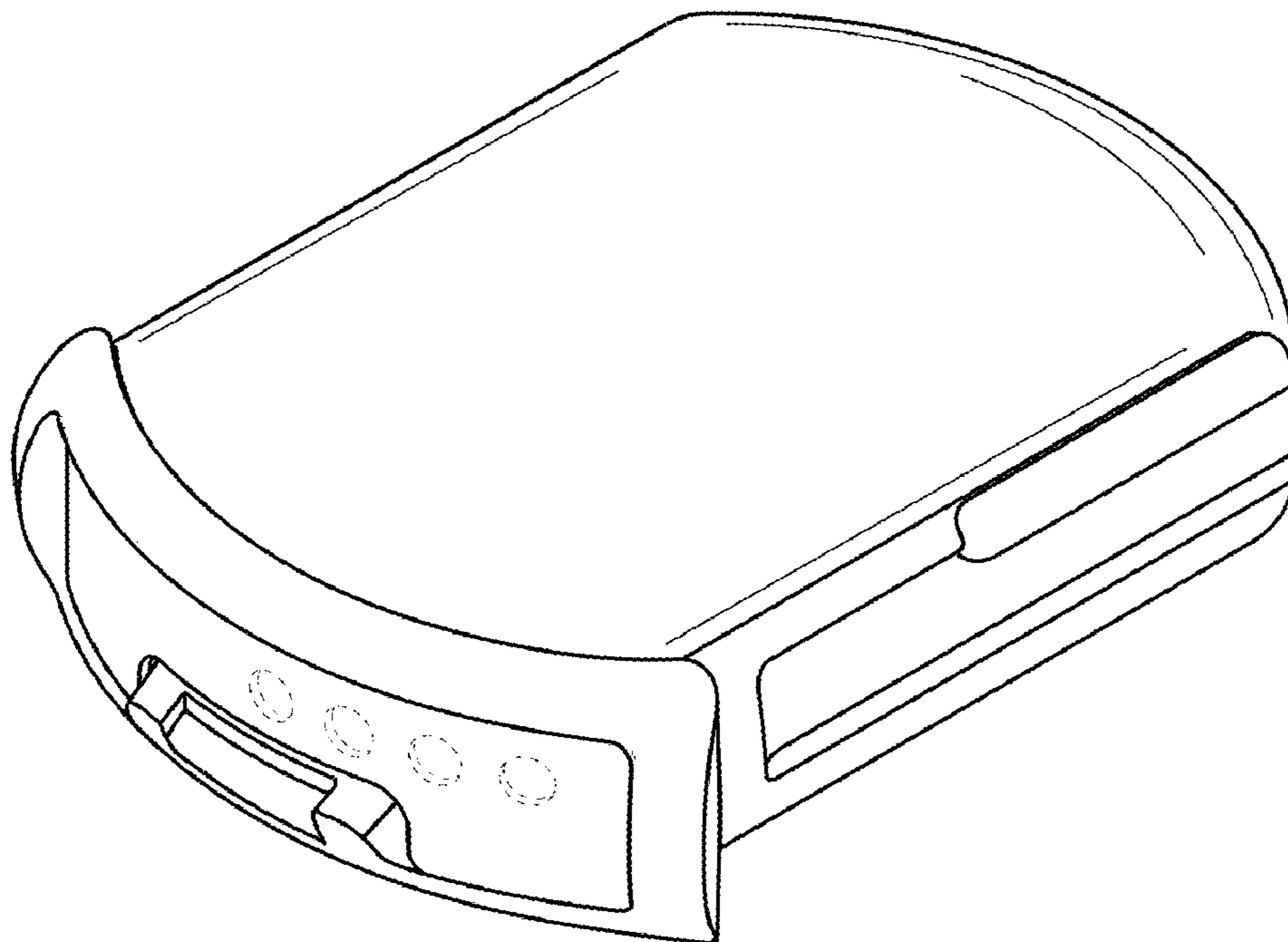
FIG. 5 is a right side view thereof;

FIG. 6 is a top view thereof; and,

FIG. 7 is a bottom view thereof.

The broken lines in the drawings are shown for illustrative purposes only and form no part of the claimed design.

1 Claim, 2 Drawing Sheets



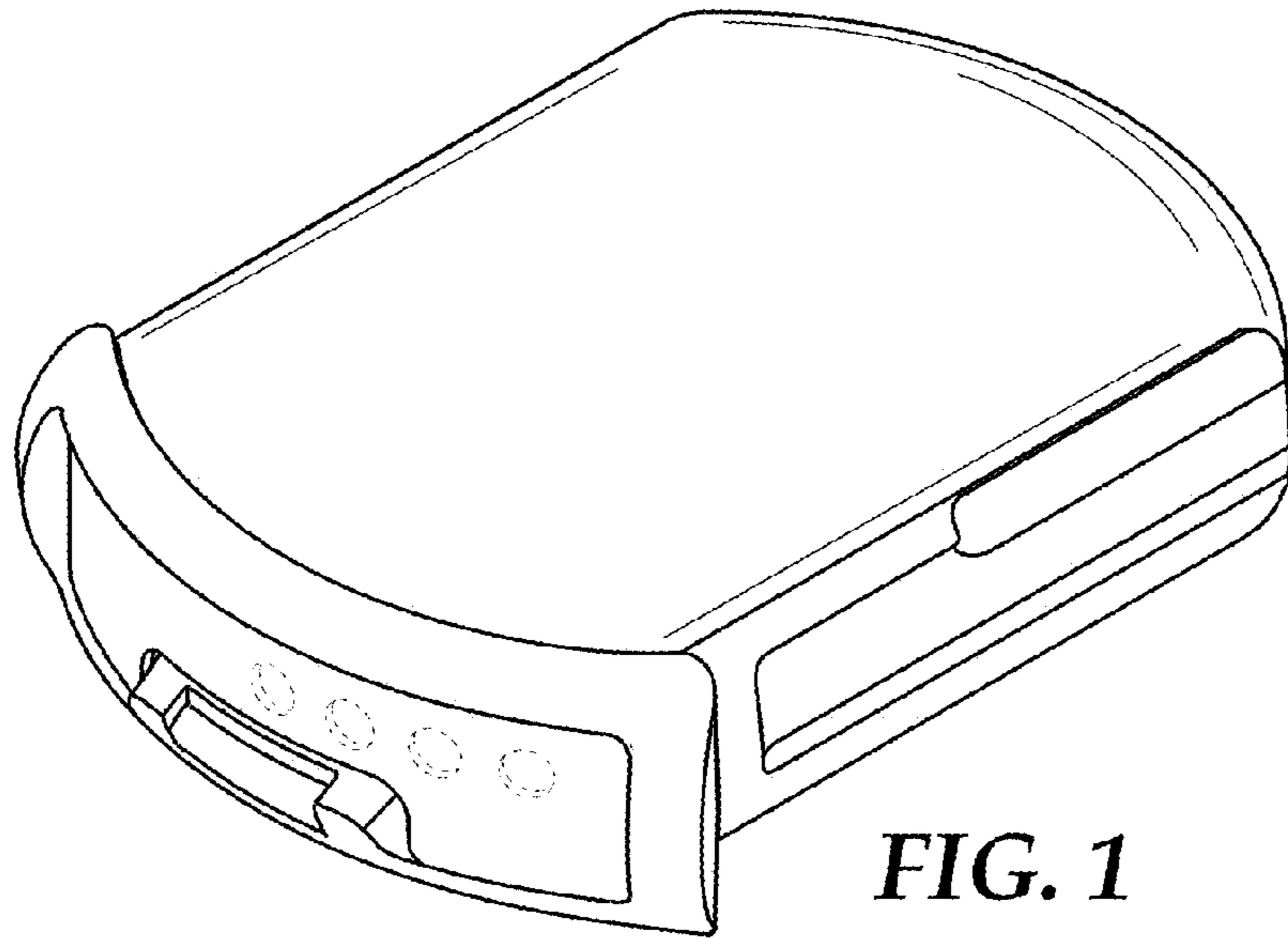


FIG. 1

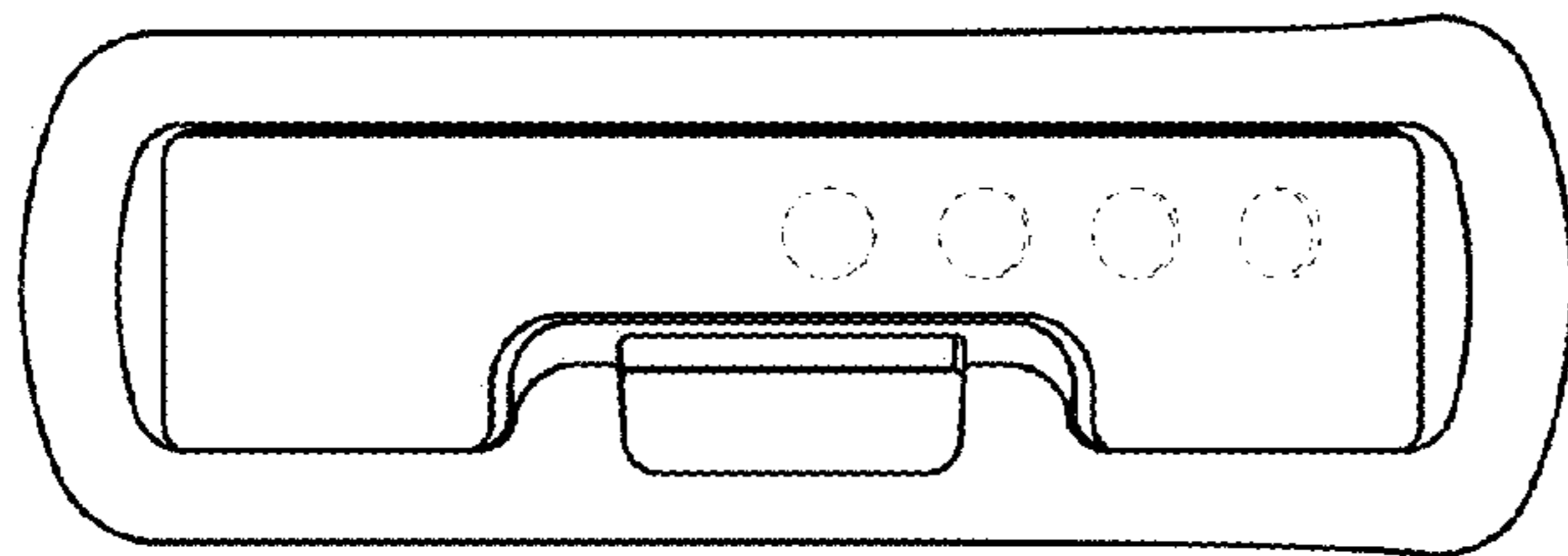


FIG. 2

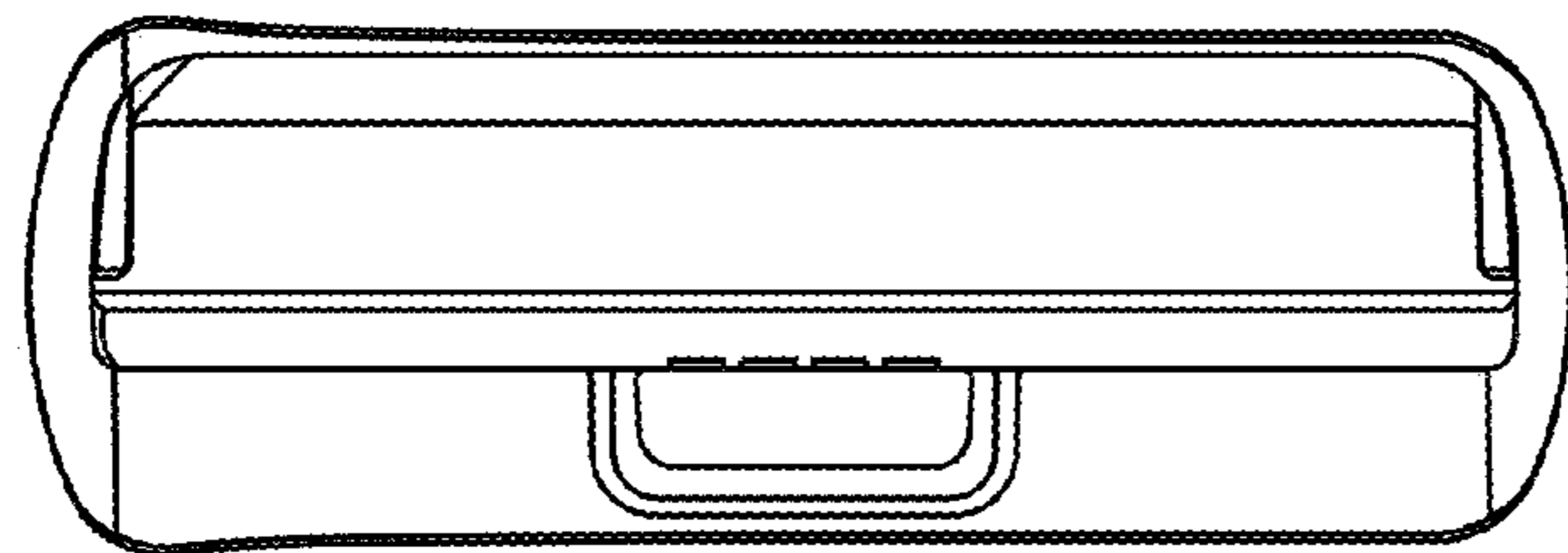


FIG. 3

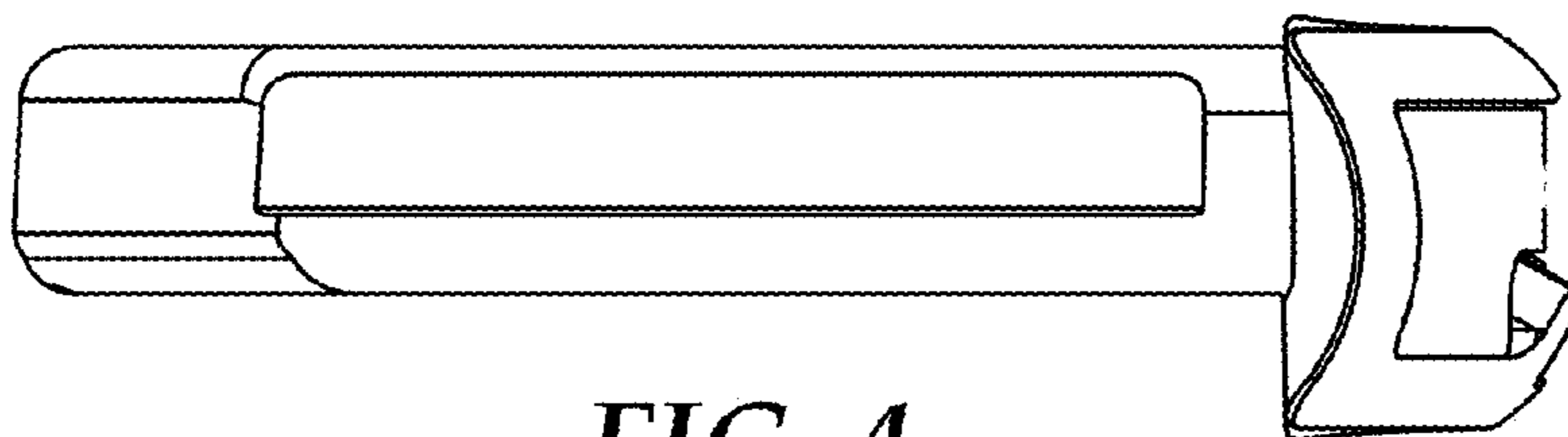


FIG. 4

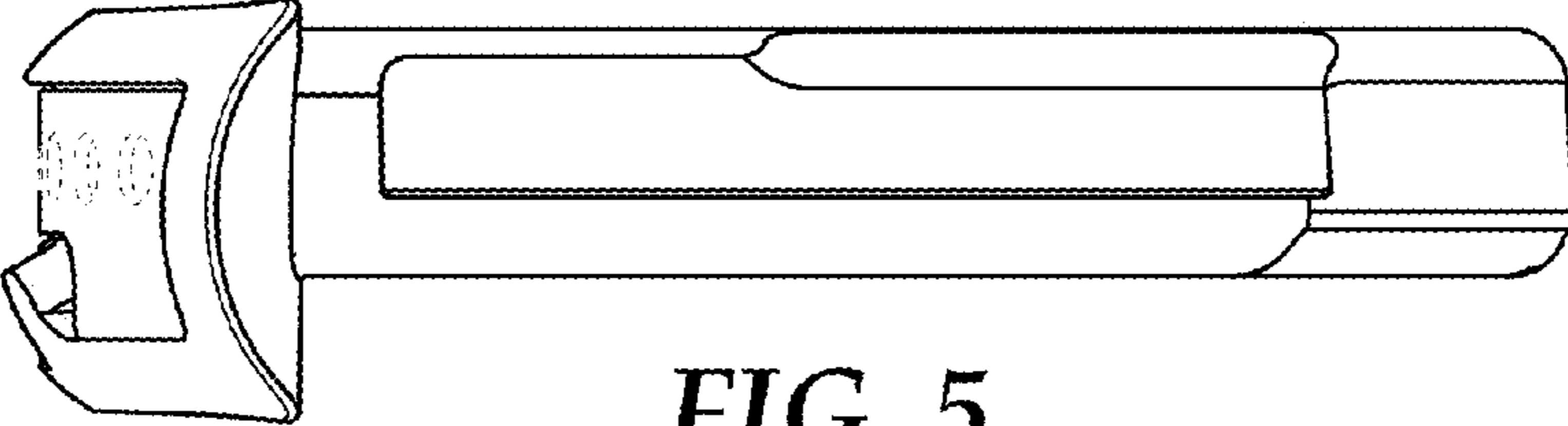


FIG. 5

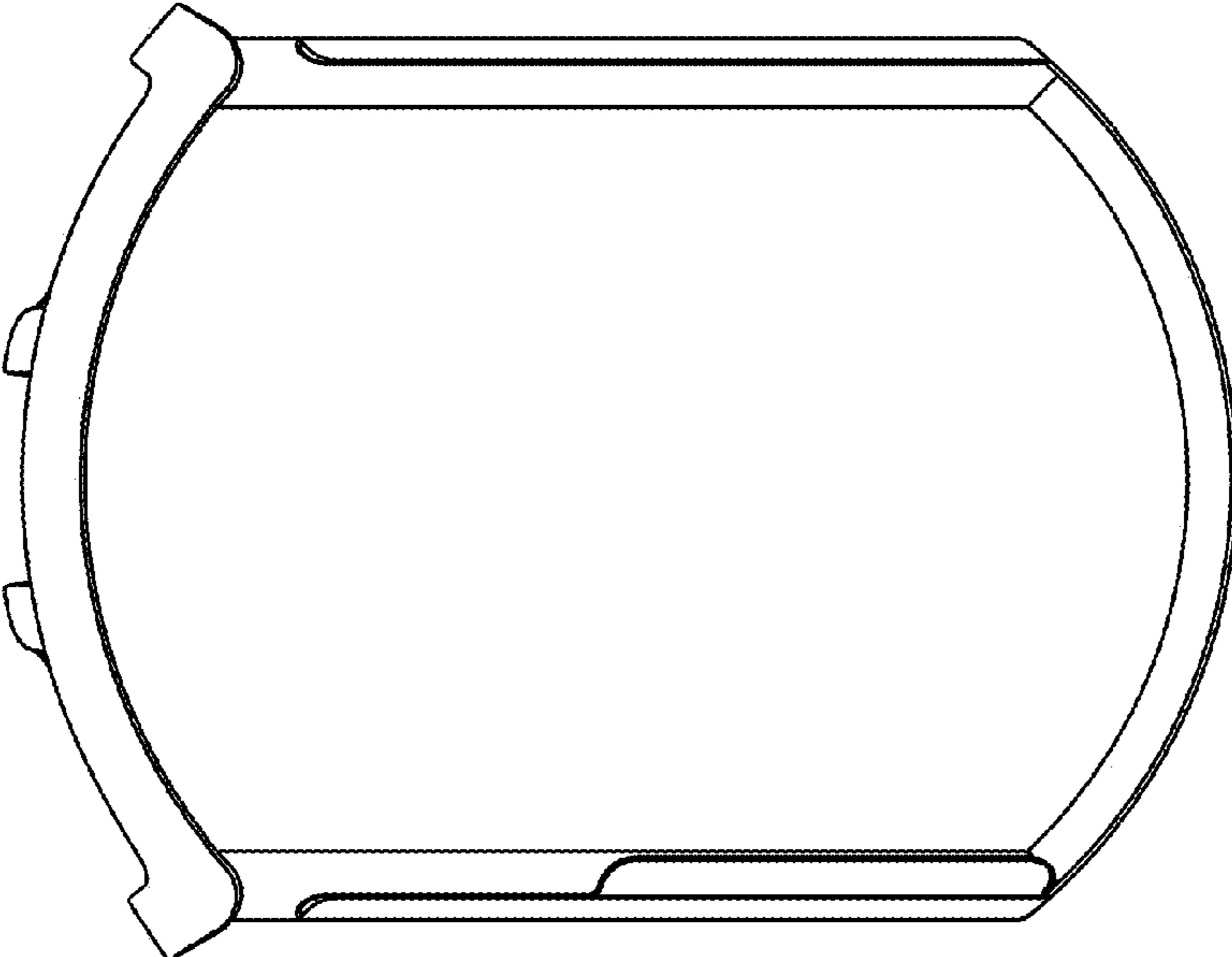


FIG. 6

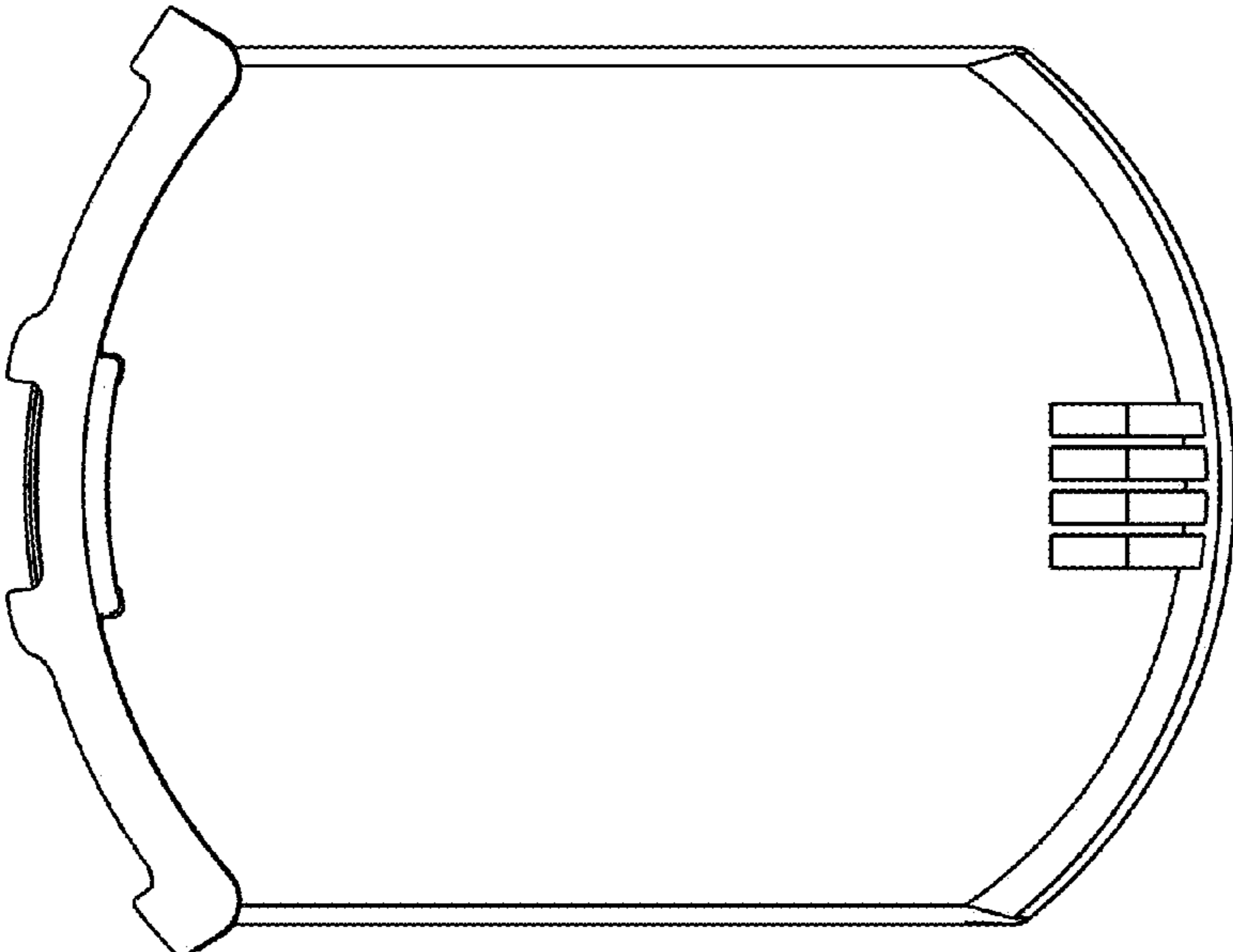


FIG. 7