



US00D712344S

(12) **United States Design Patent**  
**Ilzhoefner**

(10) **Patent No.:** **US D712,344 S**

(45) **Date of Patent:** **\*\* Sep. 2, 2014**

(54) **PHOTOVOLTAIC INSTALLATION**

(71) Applicant: **Werner Ilzhoefner**, Hassfurt (DE)

(72) Inventor: **Werner Ilzhoefner**, Hassfurt (DE)

(\*\*) Term: **14 Years**

(21) Appl. No.: **29/463,032**

(22) Filed: **Jul. 11, 2013**

(30) **Foreign Application Priority Data**

Jan. 14, 2013 (EM) ..... 002166272

(51) **LOC (10) Cl.** ..... **13-02**

(52) **U.S. Cl.**  
USPC ..... **D13/102**

(58) **Field of Classification Search**  
USPC ..... D13/102, 101, 107, 184, 199; D25/56,  
D25/61, 68, 134; 52/173.3; 126/569, 571,  
126/600, 621, 623, 680, 906; 136/243-246,  
136/251; 248/49, 346.01, 346.02  
See application file for complete search history.

(56) **References Cited**

**U.S. PATENT DOCUMENTS**

5,228,924 A \* 7/1993 Barker et al. .... 136/246  
6,563,040 B2 \* 5/2003 Hayden et al. .... 136/244  
D584,223 S \* 1/2009 Cooper ..... D13/102  
7,574,842 B2 \* 8/2009 Russell ..... 52/768

D633,033 S \* 2/2011 Conger ..... D13/102  
D649,930 S \* 12/2011 Lindor ..... D13/102  
2011/0265860 A1 \* 11/2011 Ciasulli et al. .... 136/251  
2013/0174891 A1 \* 7/2013 Tseng et al. .... 136/251

\* cited by examiner

*Primary Examiner* — Derrick Holland

(74) *Attorney, Agent, or Firm* — Manabu Kanesaka

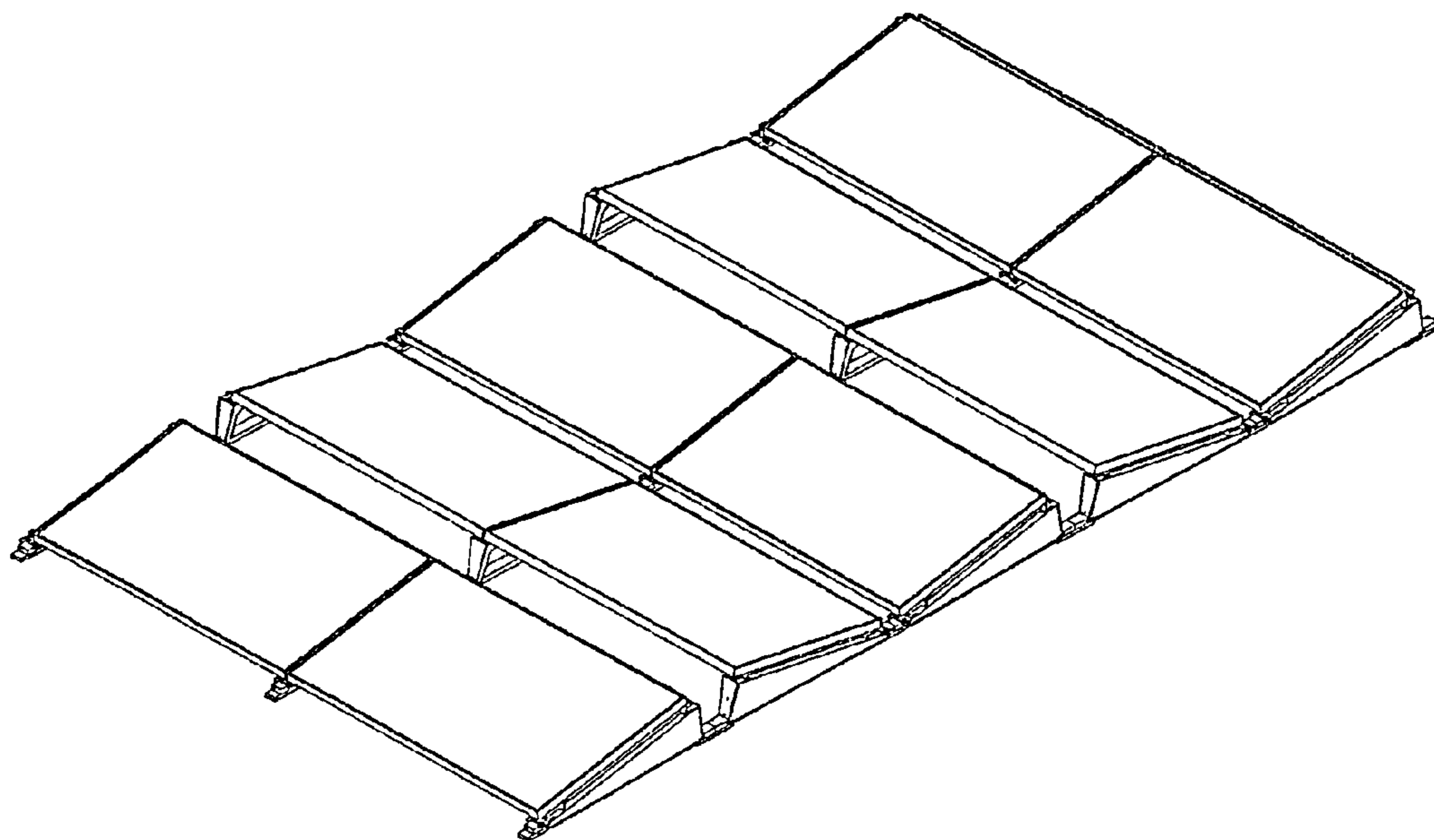
(57) **CLAIM**

The ornamental design for a photovoltaic installation, as shown and described.

**DESCRIPTION**

FIG. 1 is a top plan view of a photovoltaic installation showing my new design;  
FIG. 2 is a front view thereof;  
FIG. 3 is a left side view thereof;  
FIG. 4 is a rear view thereof;  
FIG. 5 is a right side view thereof;  
FIG. 6 is a bottom view thereof;  
FIG. 7 is a perspective view thereof;  
FIG. 8 is a top plan view of another photovoltaic installation showing my new design;  
FIG. 9 is a front view thereof;  
FIG. 10 is a left side view thereof;  
FIG. 11 is a rear view thereof;  
FIG. 12 is a right side view thereof;  
FIG. 13 is a bottom view thereof; and,  
FIG. 14 is a perspective view thereof.

**1 Claim, 14 Drawing Sheets**



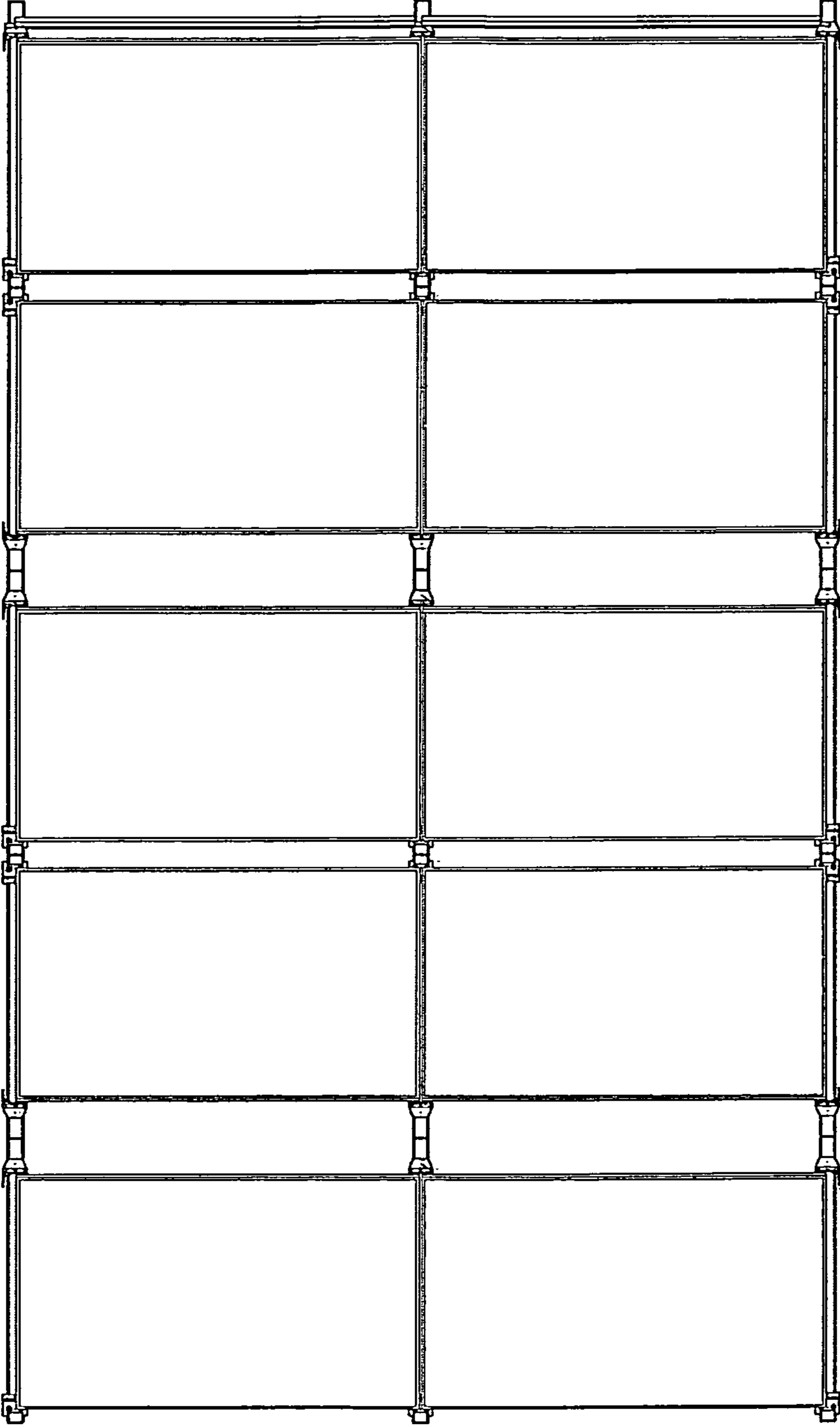


Fig. 1

Fig. 2

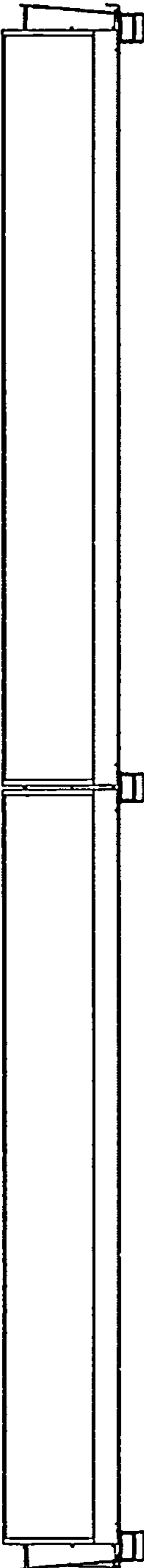


Fig. 3

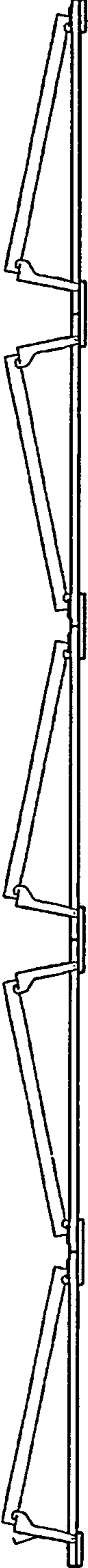


Fig. 4

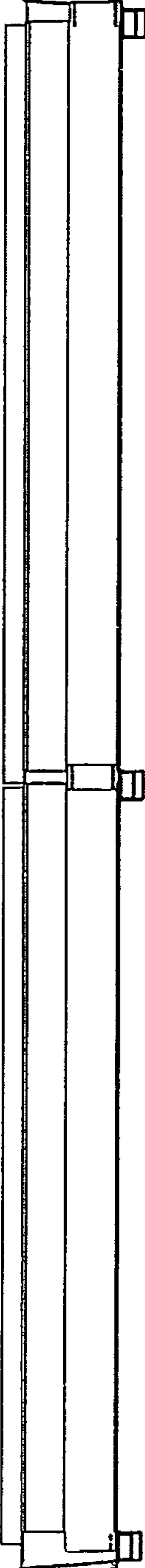
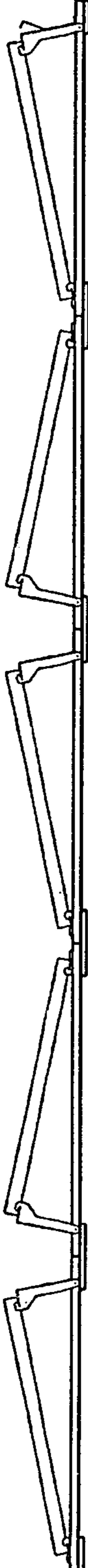


Fig. 5



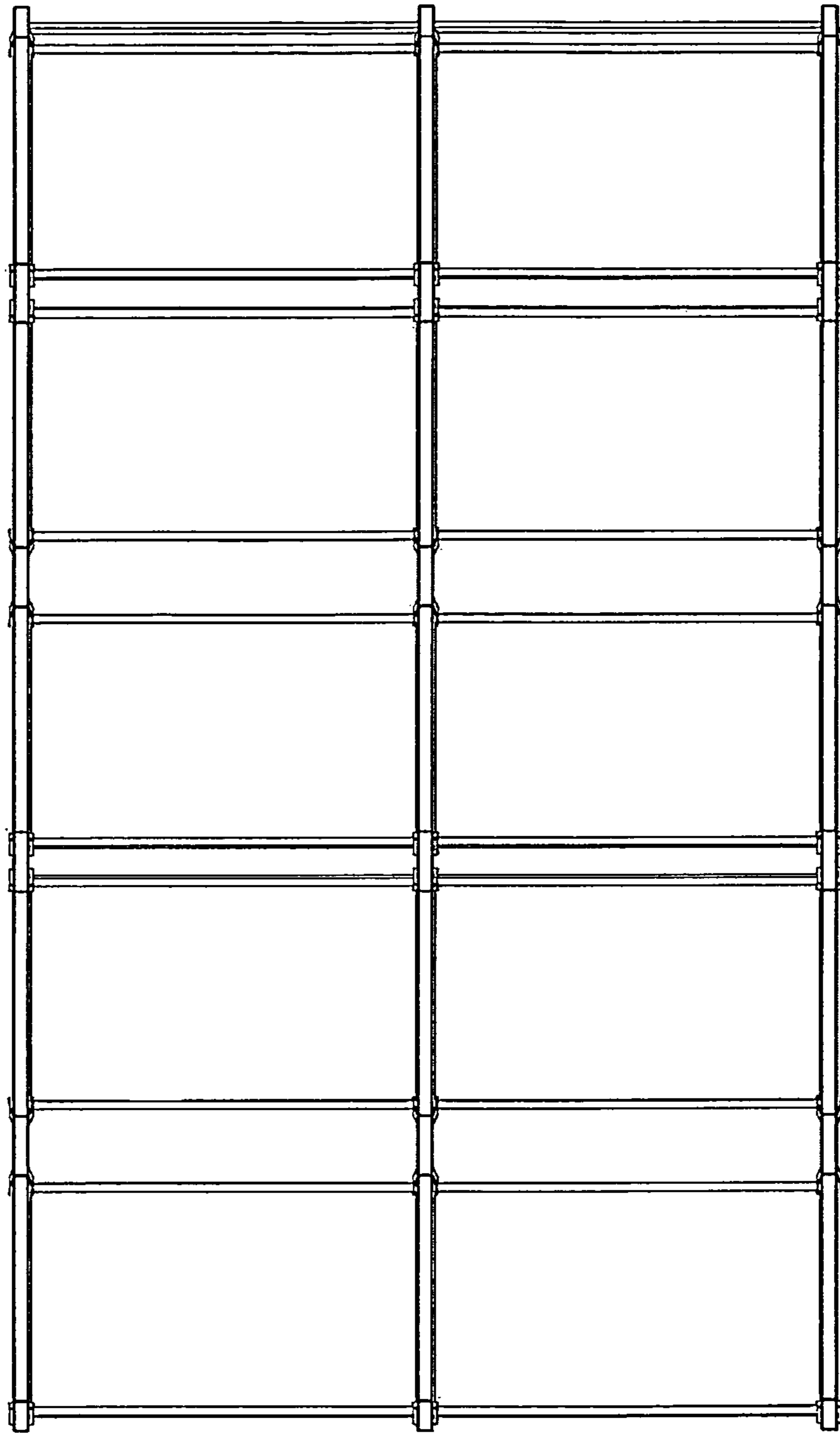


Fig. 6

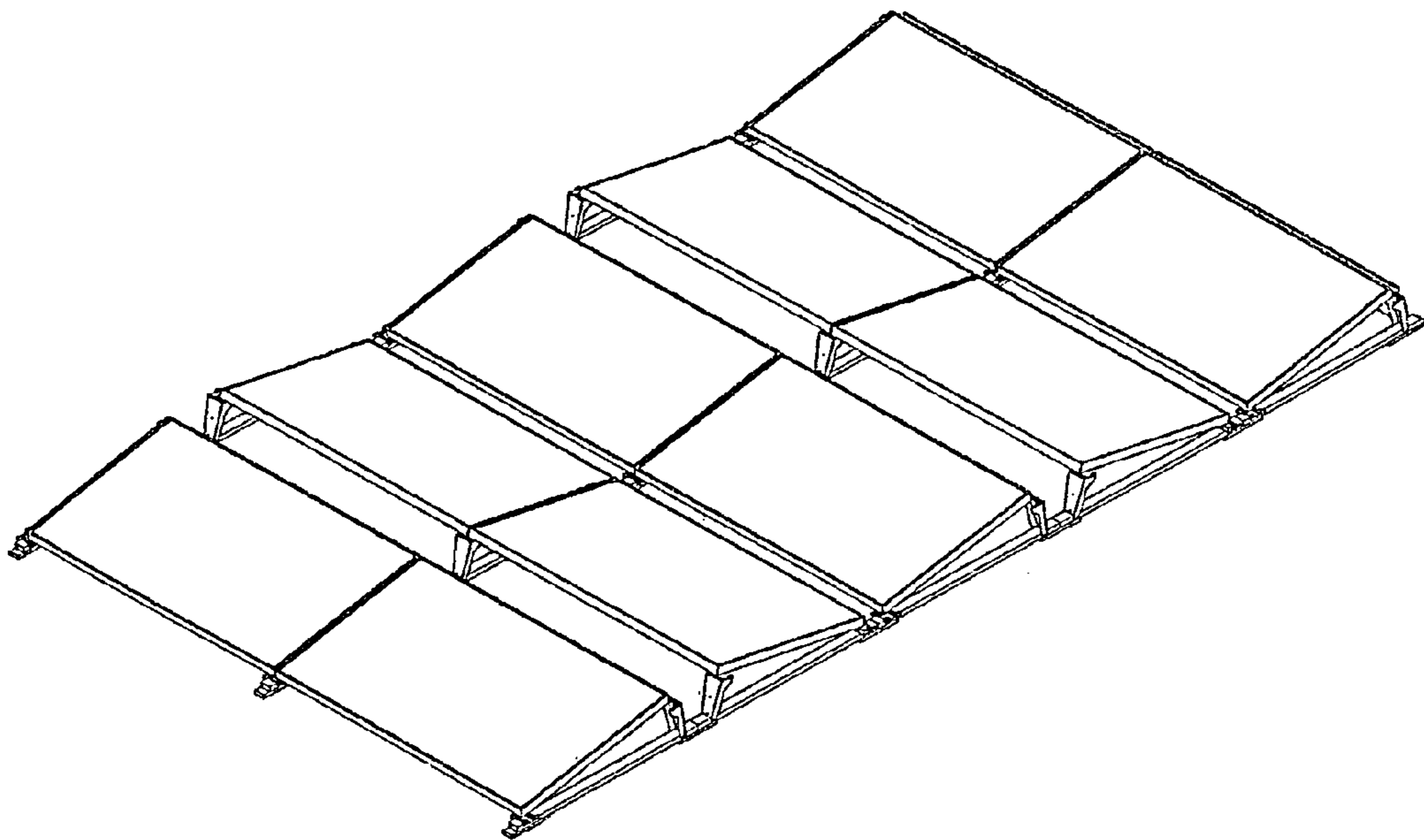


Fig. 7



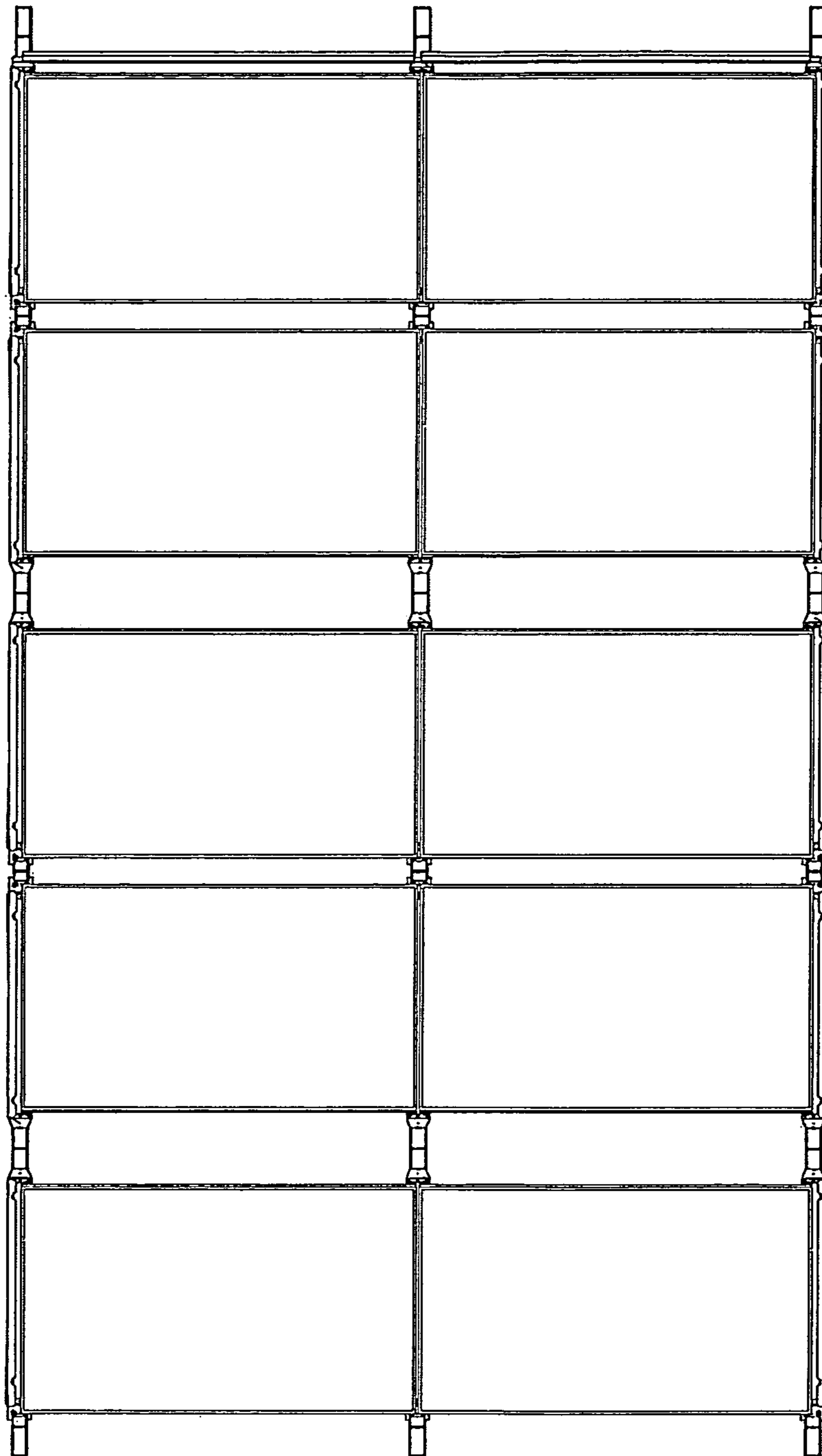


Fig. 8

Fig. 9

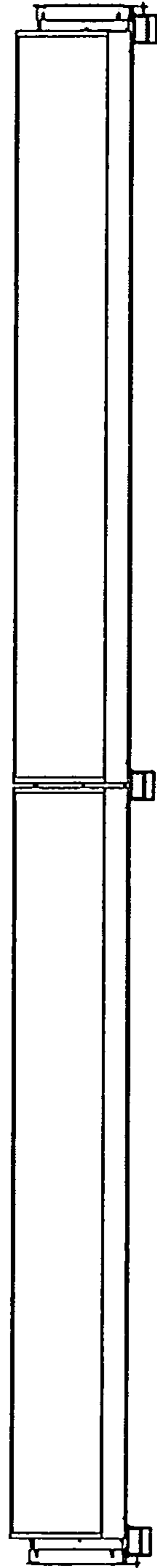


Fig. 10



Fig. 11

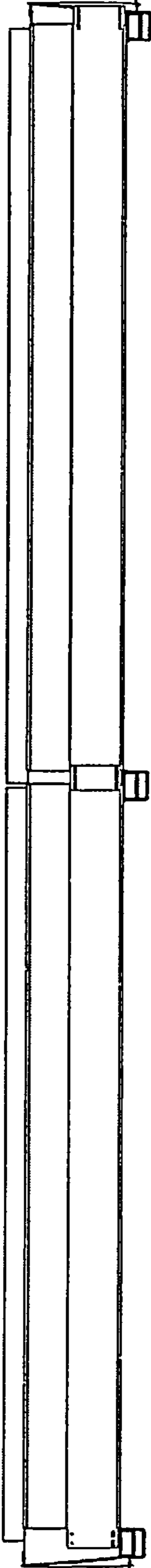
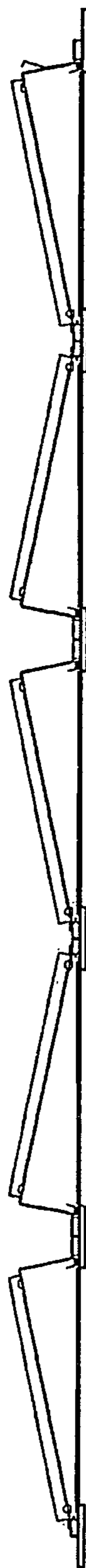


Fig. 12



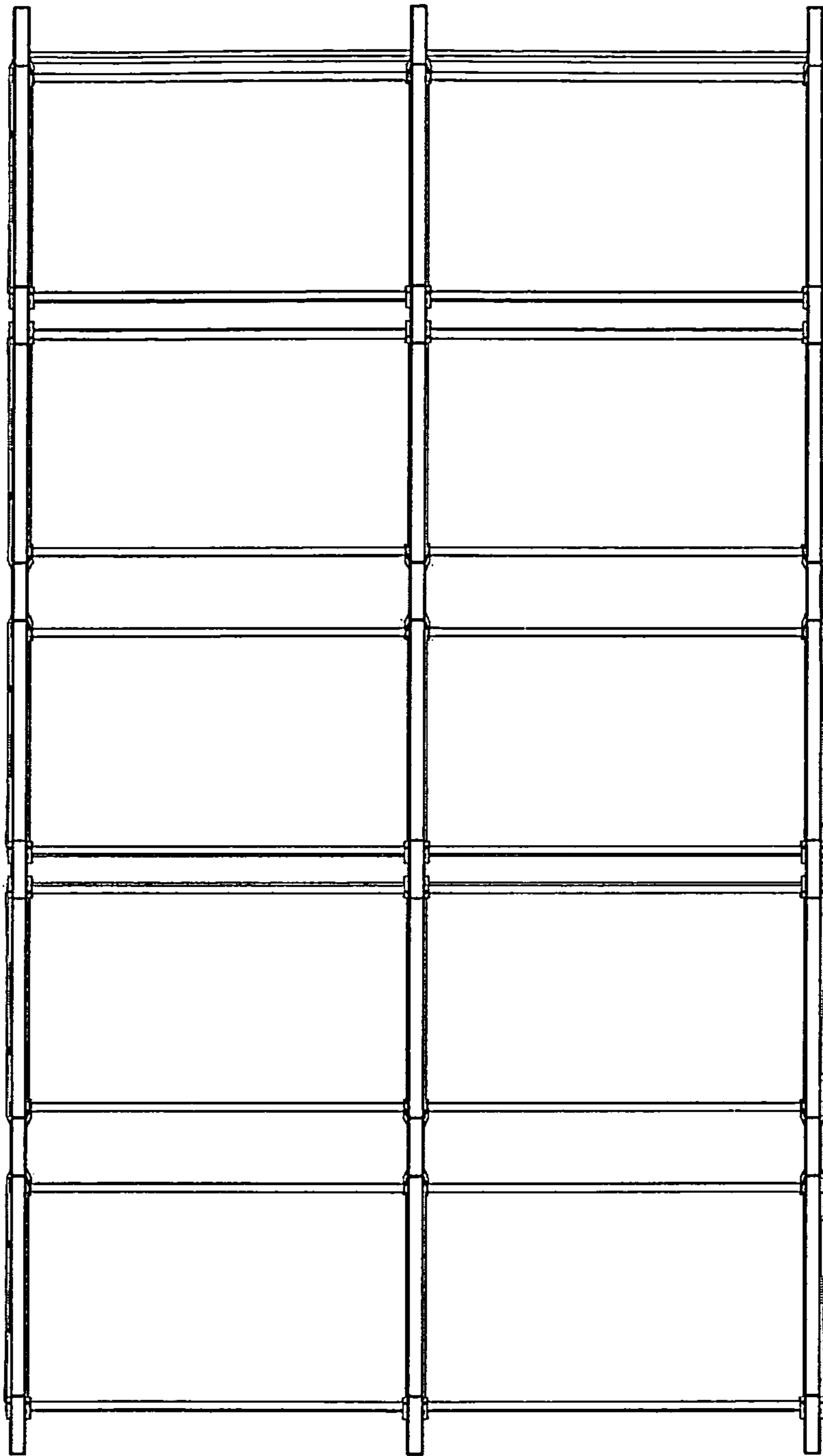


Fig. 13

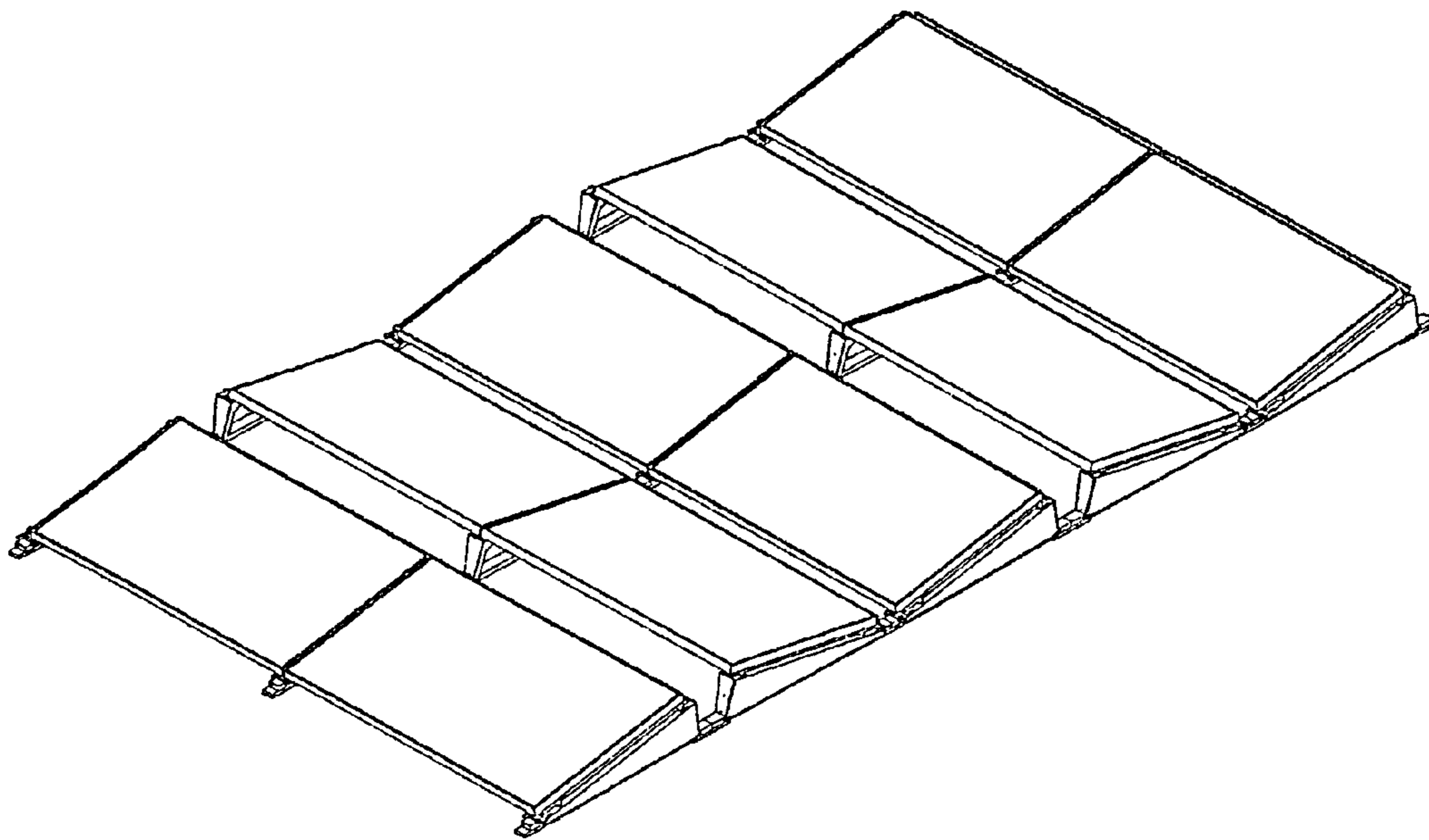


Fig. 14