

US00D712339S

(12) **United States Design Patent**  
**McMillan**

(10) **Patent No.:** **US D712,339 S**

(45) **Date of Patent:** **\*\* Sep. 2, 2014**

(54) **CATAMARAN FOR PARALYZED SCUBA DIVER**

(71) Applicant: **Norman McMillan**, Fort Lauderdale, FL (US)

(72) Inventor: **Norman McMillan**, Fort Lauderdale, FL (US)

(\*\*) Term: **14 Years**

(21) Appl. No.: **29/468,962**

(22) Filed: **Oct. 4, 2013**

(51) **LOC (10) Cl.** ..... **12-06**

(52) **U.S. Cl.**  
USPC ..... **D12/304; D12/308**

(58) **Field of Classification Search**  
CPC ..... B63C 11/00; B63C 11/46; E04H 4/144  
USPC ..... D12/300-318; 114/66, 313, 315;  
441/88, 130; 4/496

See application file for complete search history.

(56) **References Cited**

**U.S. PATENT DOCUMENTS**

3,379,157	A *	4/1968	Post	.....	114/66
3,420,202	A *	1/1969	Oversmith	.....	114/315
3,883,910	A *	5/1975	Naylor, III	.....	114/355
4,141,089	A *	2/1979	Krumbeck	.....	4/494
4,276,851	A *	7/1981	Coleman	.....	114/313
4,435,165	A *	3/1984	Johnson	.....	441/130
5,117,774	A *	6/1992	English et al.	.....	114/66
5,433,164	A *	7/1995	Sneath	.....	114/315

5,836,020	A *	11/1998	Morris	.....	4/496
6,612,251	B1 *	9/2003	Ness	.....	114/66
6,990,919	B1 *	1/2006	Calinawan	.....	114/315
7,152,548	B2 *	12/2006	Barstow et al.	.....	114/315
2006/0243187	A1 *	11/2006	Barstow et al.	.....	114/315

\* cited by examiner

*Primary Examiner* — Cynthia M Chin

(74) *Attorney, Agent, or Firm* — Gerald E. Helget; Briggs and Morgan, P.A.

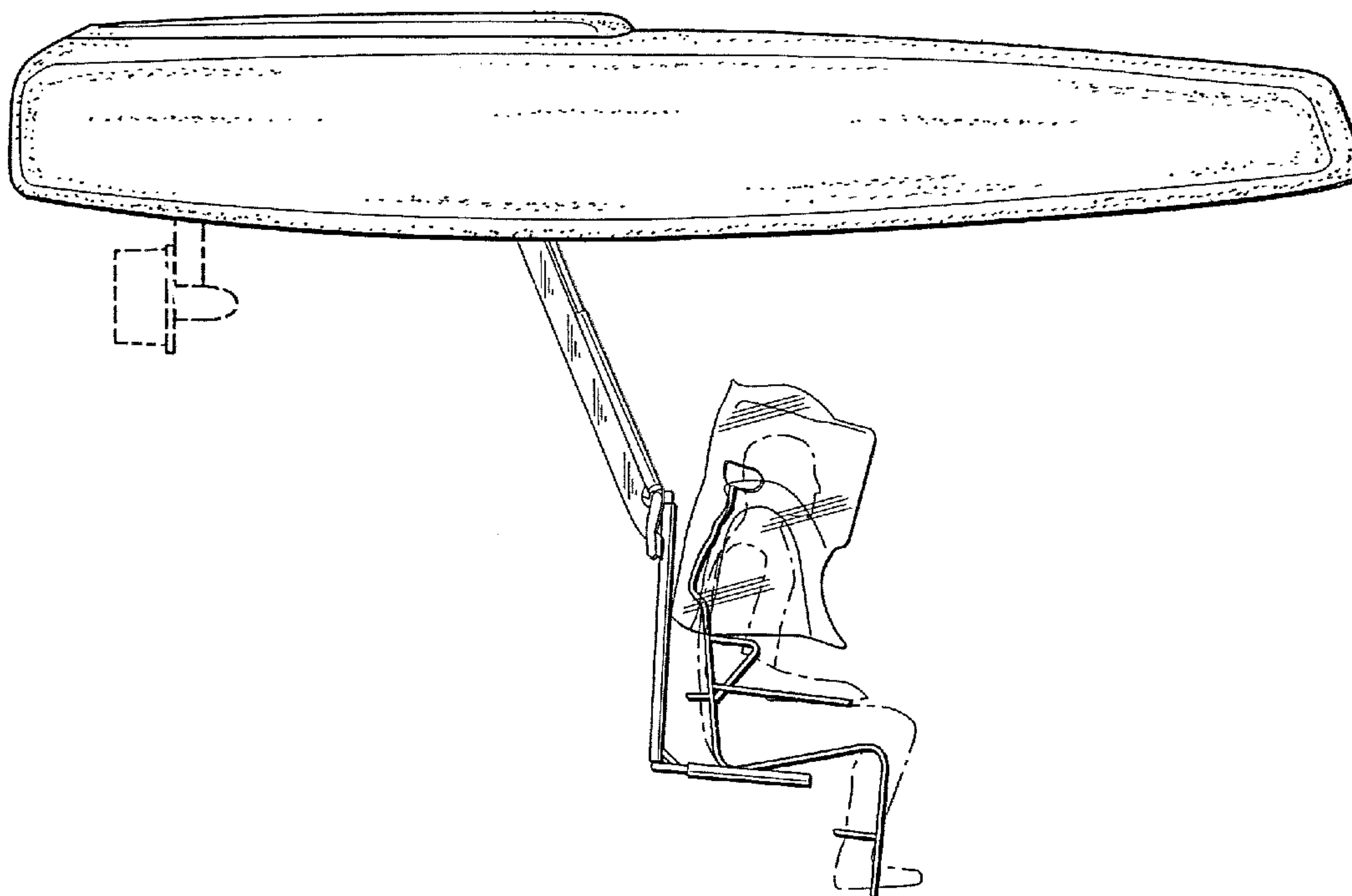
(57) **CLAIM**

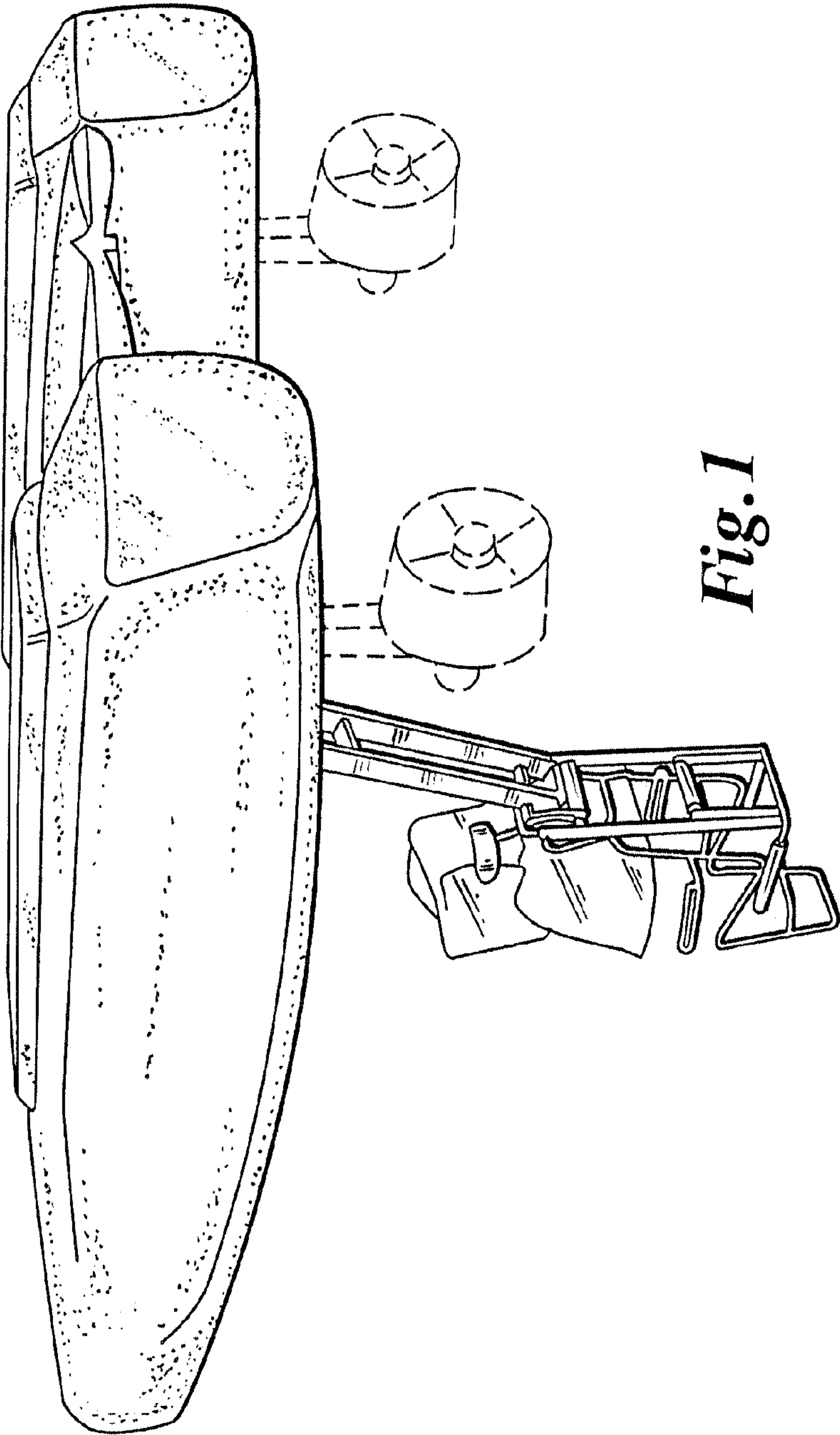
The ornamental design for a catamaran for paralyzed scuba diver, as shown and described.

**DESCRIPTION**

FIG. 1 is a rear perspective view showing my new design for a catamaran for paralyzed scuba diver;  
 FIG. 2 is a right side elevational view which is a mirror image of the left side elevational view;  
 FIG. 3 is a bottom plan view;  
 FIG. 4 is a front elevational view;  
 FIG. 5 is a rear elevational view;  
 FIG. 6 is a top plan view;  
 FIG. 7 is a right elevational view with the chair down; and,  
 FIG. 8 is a right side elevational view with the chair up.  
 The broken line drawings of the motors and paralyzed scuba diver represent the environment in which the article resides and forms no part of the claimed design.

**1 Claim, 7 Drawing Sheets**





*Fig. 1*

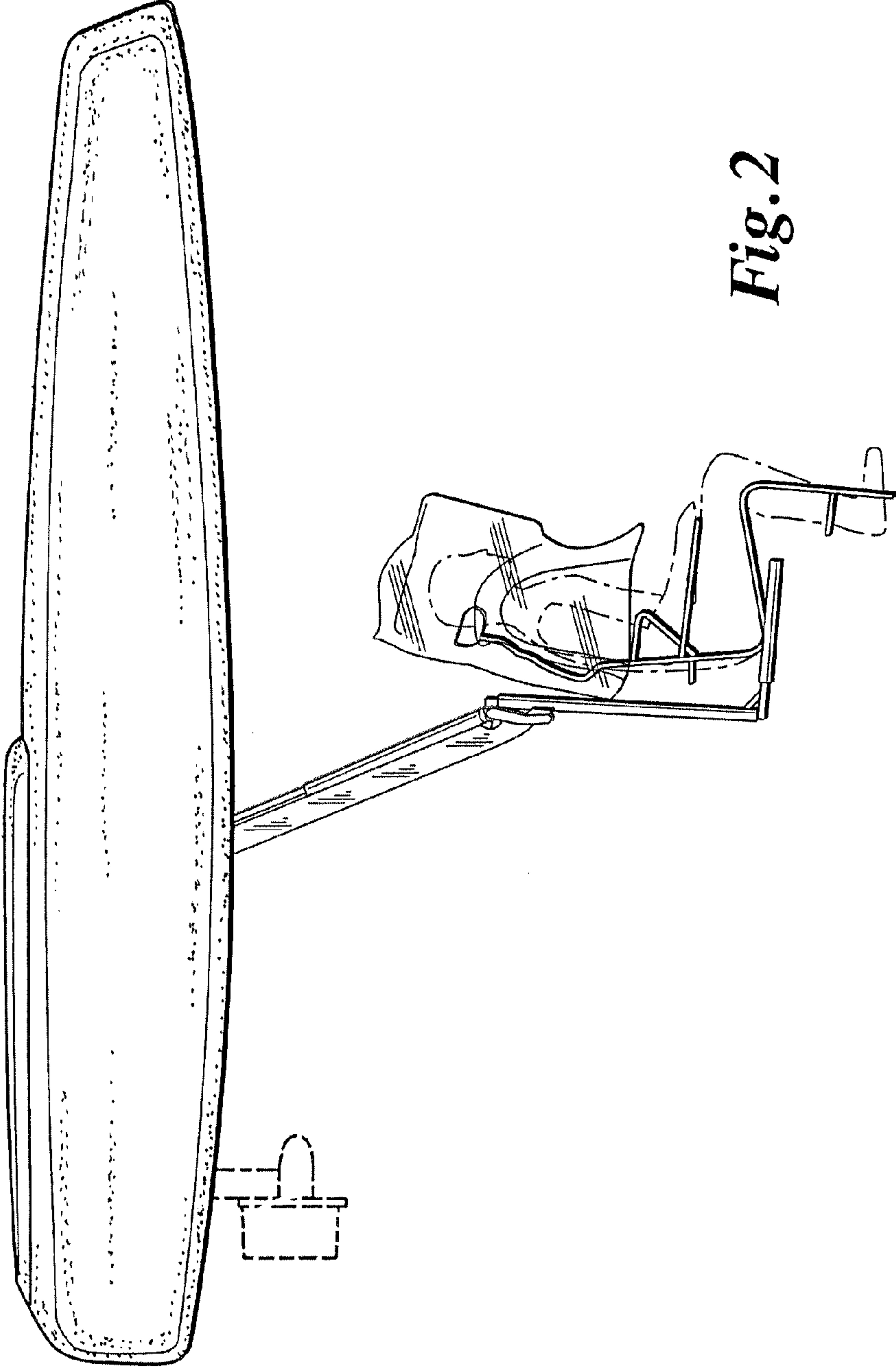
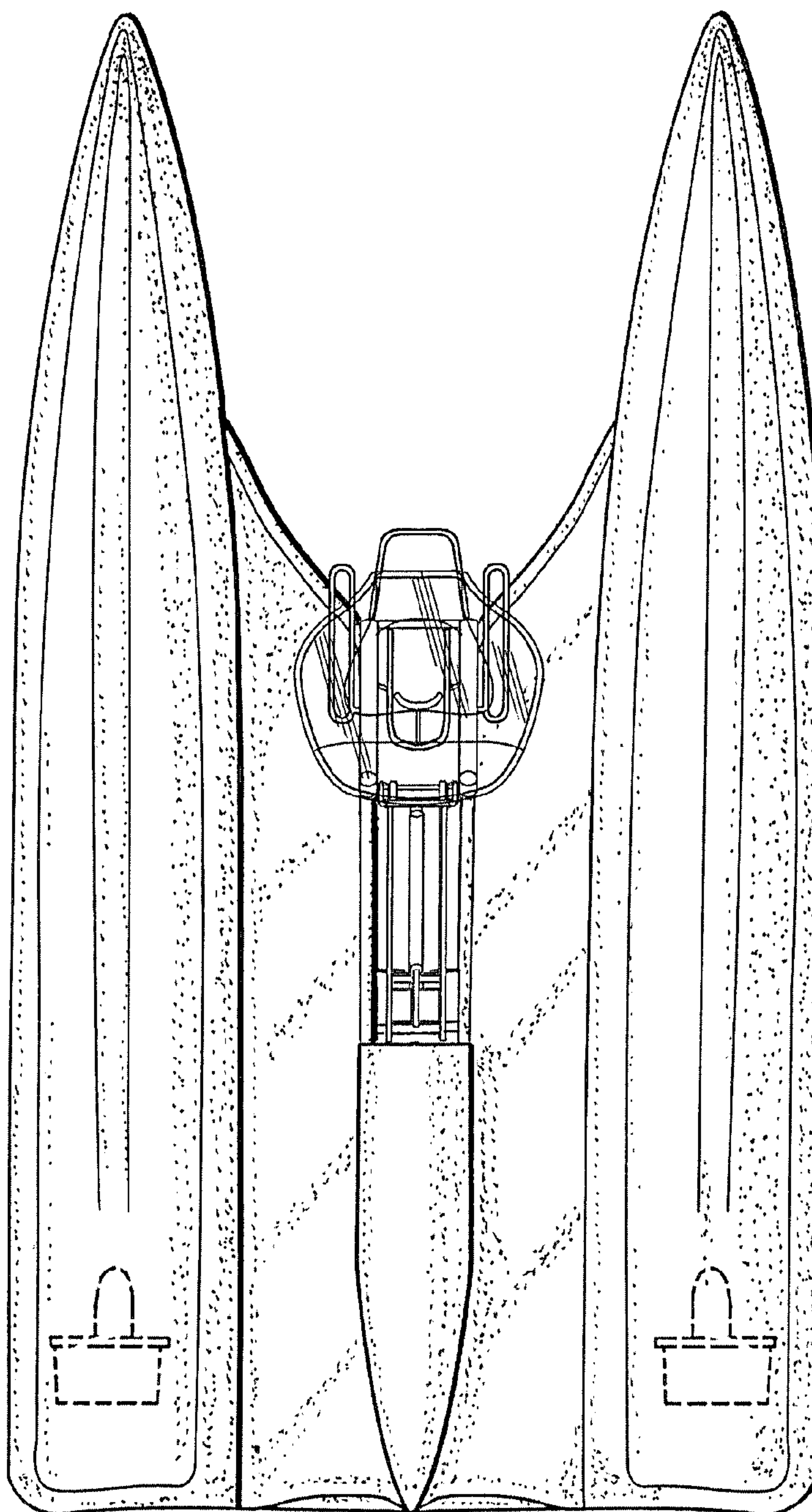
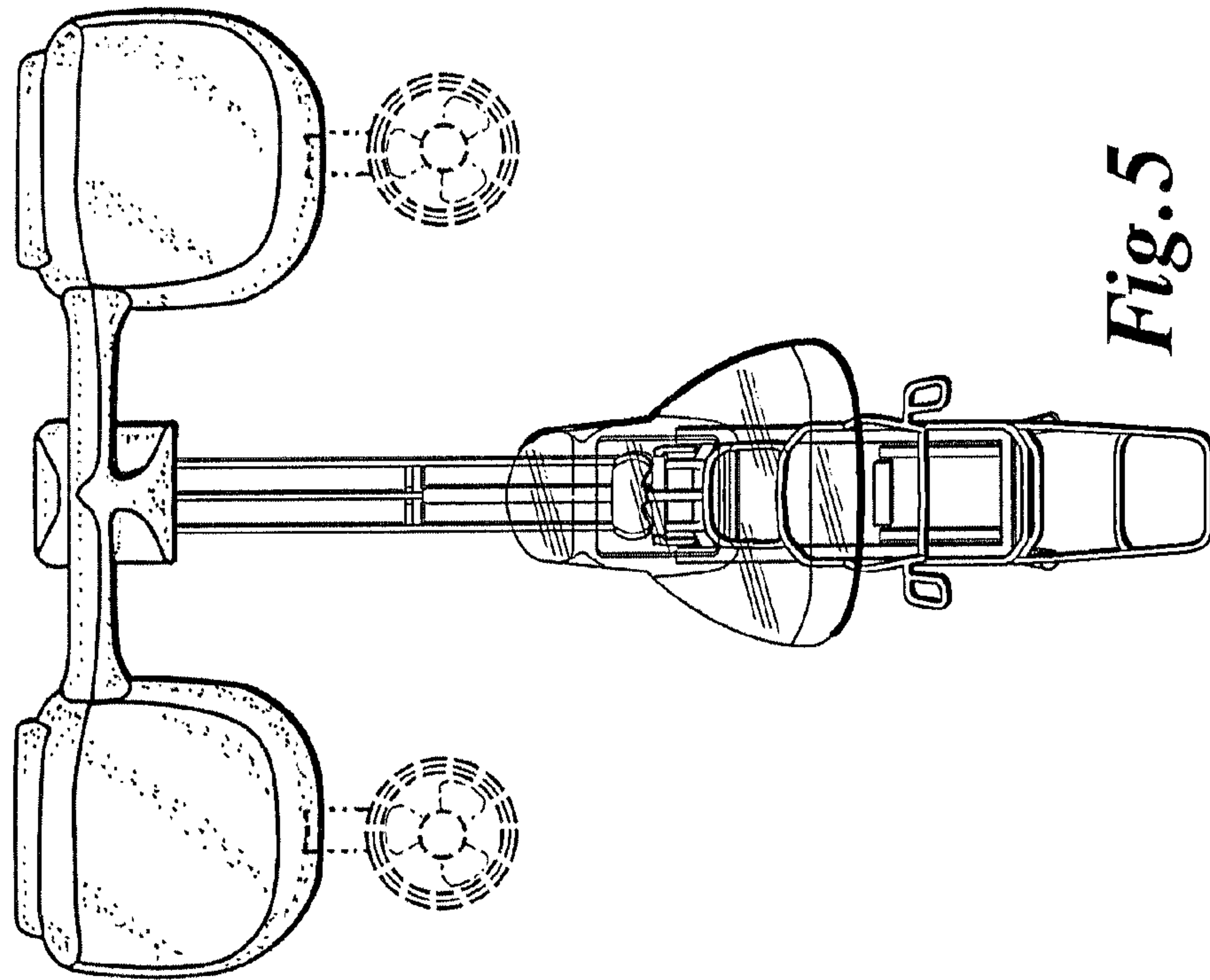


Fig. 2

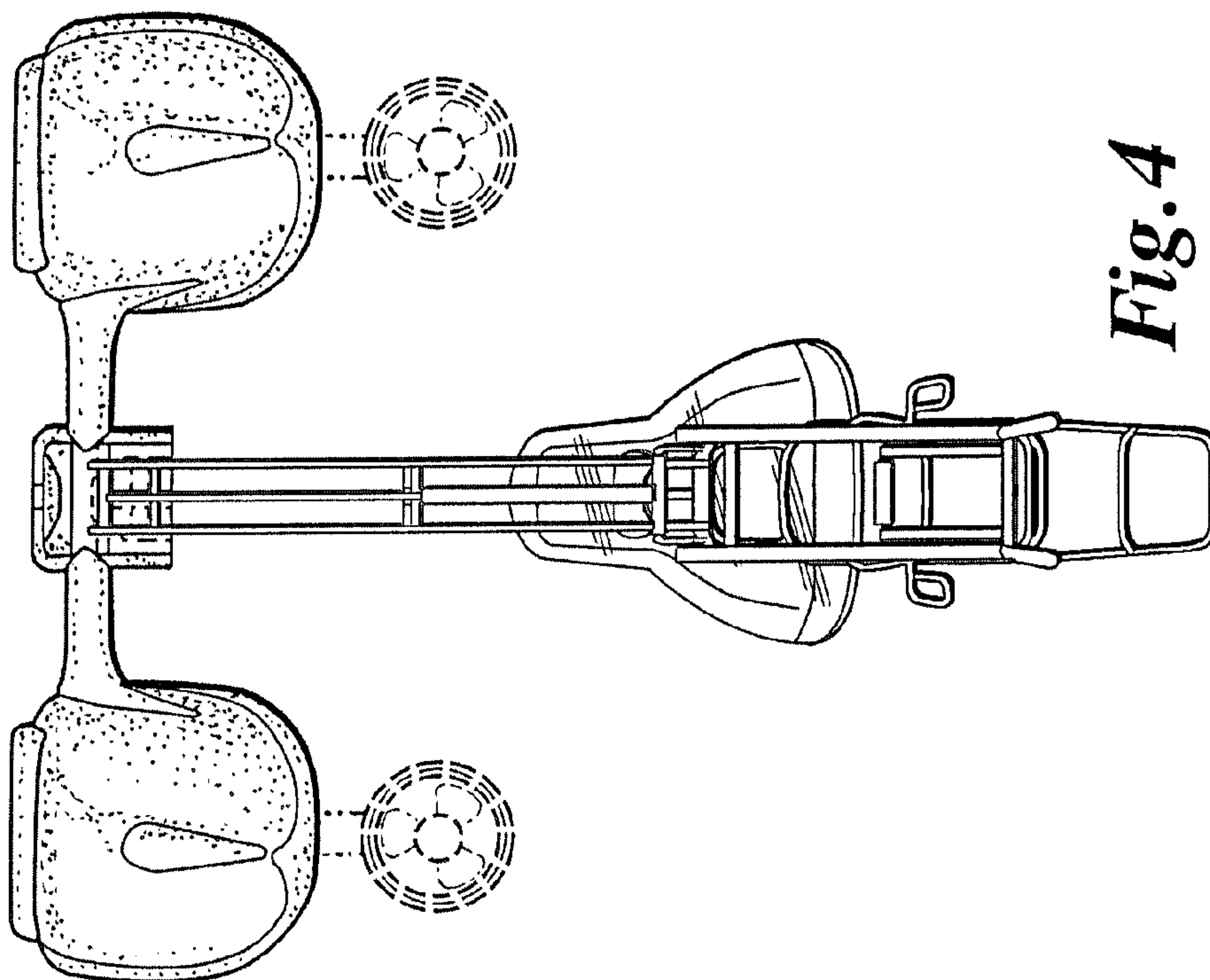


*Fig. 3*

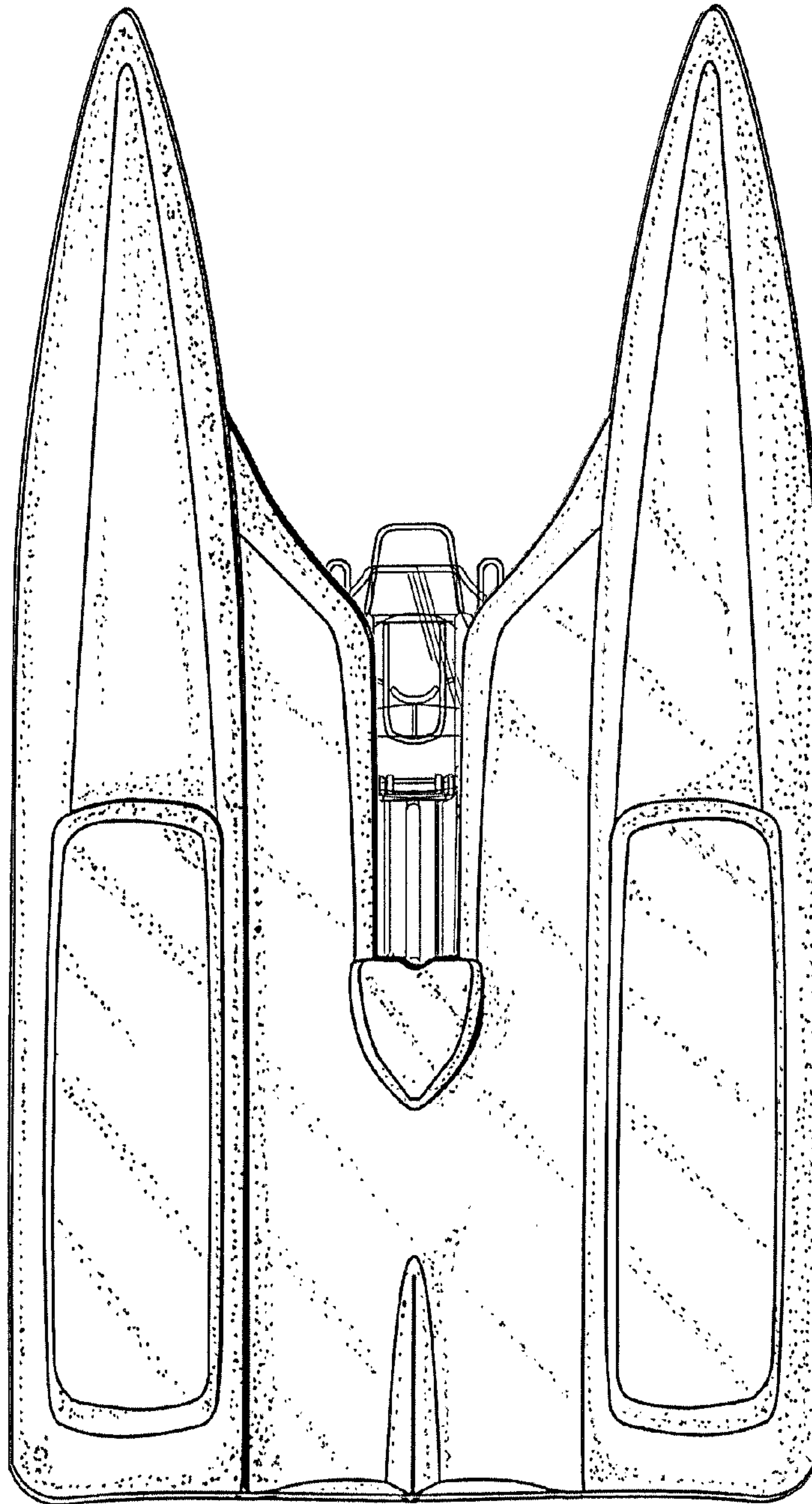




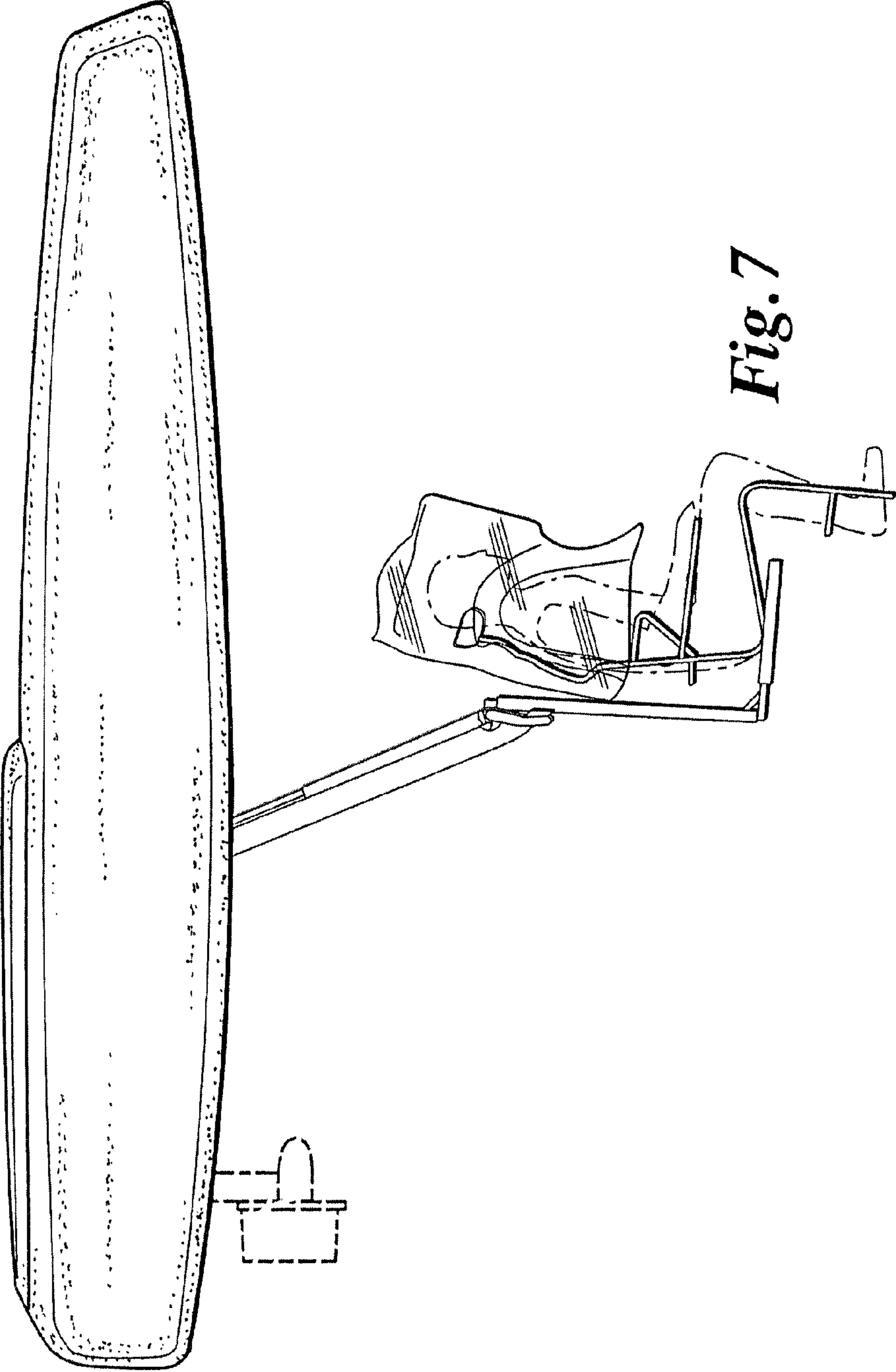
*Fig. 5*



*Fig. 4*



*Fig. 6*



*Fig. 7*

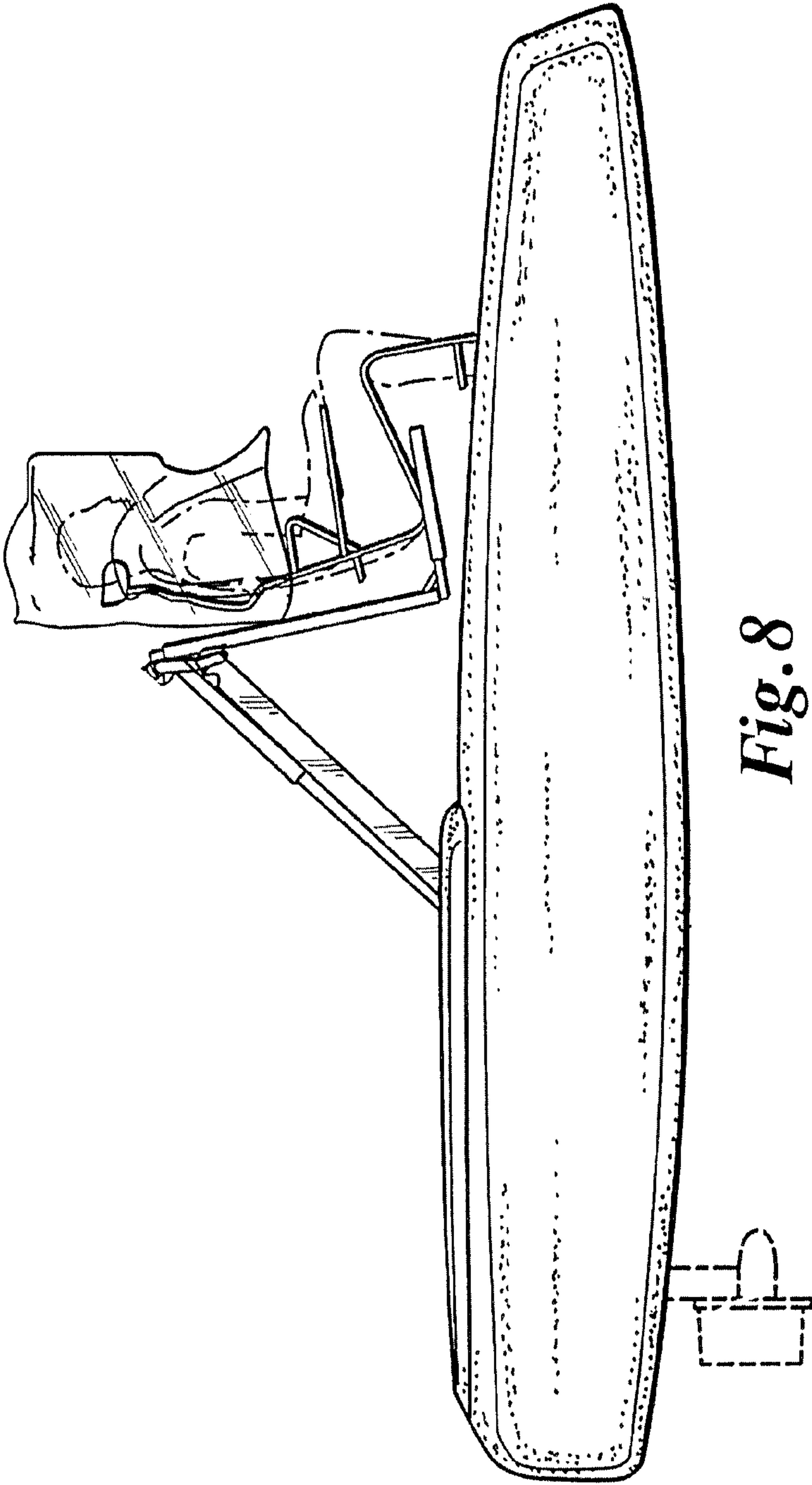


Fig. 8