



US00D712333S

(12) **United States Design Patent**
Chung

(10) **Patent No.:** **US D712,333 S**

(45) **Date of Patent:** **** Sep. 2, 2014**

(54) **WHEEL**

(71) Applicant: **Suny Chung**, Yorba Linda, CA (US)

(72) Inventor: **Suny Chung**, Yorba Linda, CA (US)

(73) Assignee: **Wheel Pros, LLC**, Greenwood Village, CO (US)

(**) Term: **14 Years**

(21) Appl. No.: **29/481,663**

(22) Filed: **Feb. 7, 2014**

(51) **LOC (10) Cl.** **12-16**

(52) **U.S. Cl.**
USPC **D12/211**

(58) **Field of Classification Search**
USPC D12/204-213; 301/37.101, 64.101, 65,
301/64.201

See application file for complete search history.

(56) **References Cited**

U.S. PATENT DOCUMENTS

D470,812 S *	2/2003	Chu	D12/211
D526,267 S *	8/2006	Looho	D12/211
D558,115 S *	12/2007	Groom	D12/209
D578,458 S *	10/2008	Cortes	D12/211
D579,845 S *	11/2008	Chung	D12/209
D597,012 S *	7/2009	Chung	D12/211
D624,863 S *	10/2010	Zhao	D12/211
D625,238 S *	10/2010	Zhao	D12/209
D670,227 S *	11/2012	Chung	D12/211

D683,296 S *	5/2013	Tirado	D12/209
D688,187 S *	8/2013	McMath	D12/209
D695,188 S *	12/2013	Chinavare	D12/209

* cited by examiner

Primary Examiner — Stacia Cadmus

(74) *Attorney, Agent, or Firm* — Garcia-Zamor IP Law; Ruy M. Garcia-Zamor

(57) **CLAIM**

The ornamental design for a wheel, as shown and described.

DESCRIPTION

FIG. 1 is a perspective view of a wheel showing my new design;

FIG. 2 is a front elevational view of the wheel of FIG. 1;

FIG. 3 is a left side elevational view of the wheel of FIG. 1;

FIG. 4 is a right side elevational view of the wheel of FIG. 1;

FIG. 5 is a top plan view of the wheel of FIG. 1;

FIG. 6 is a bottom plan view of the wheel of FIG. 1;

FIG. 7 is a rear elevational view of the wheel of FIG. 1;

FIG. 8 is a perspective view of a wheel according to a second preferred embodiment of my new design;

FIG. 9 is a front elevational view of the wheel of FIG. 8;

FIG. 10 is a left side elevational view of the wheel of FIG. 8;

FIG. 11 is a right side elevational view of the wheel of FIG. 8;

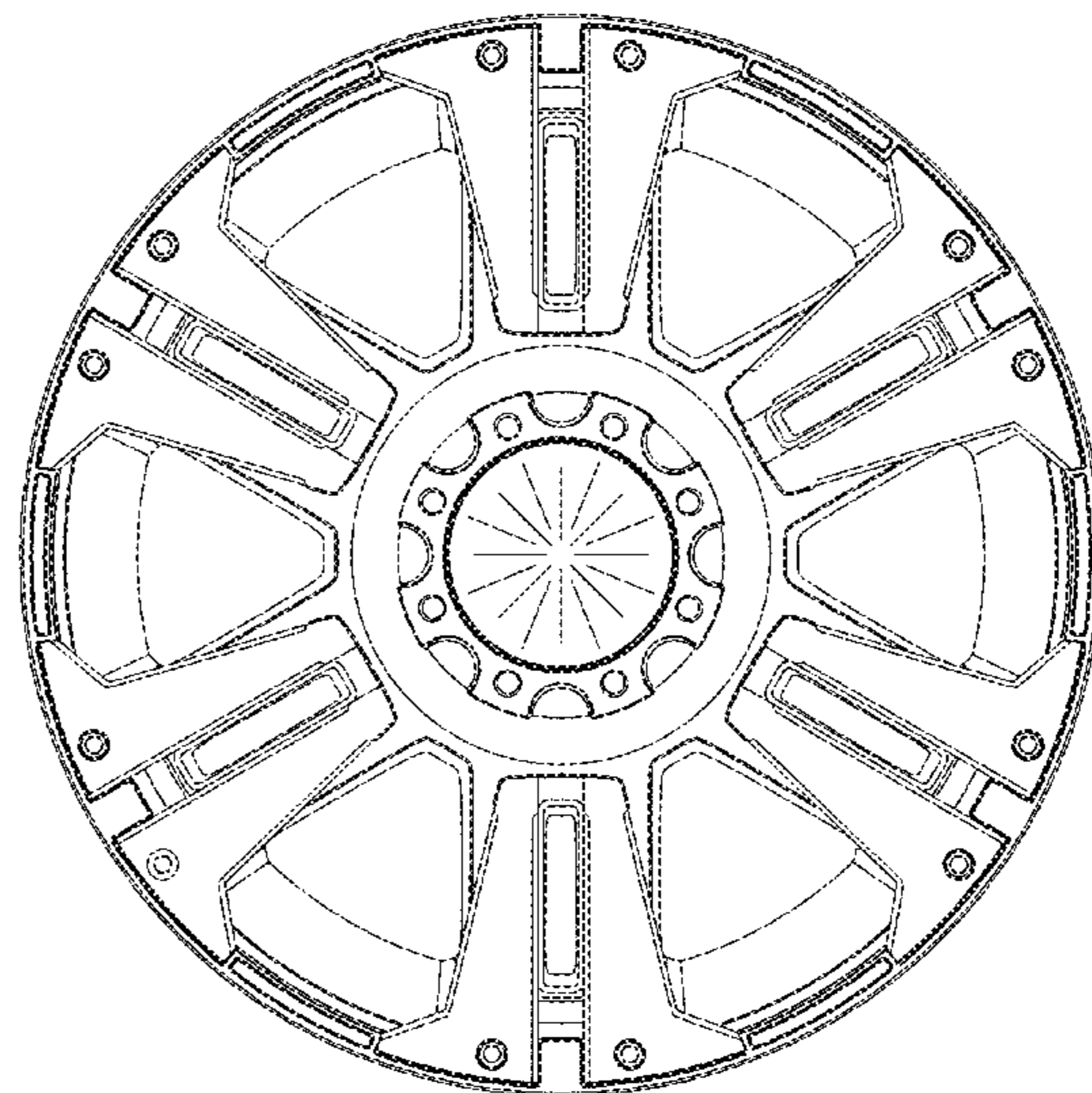
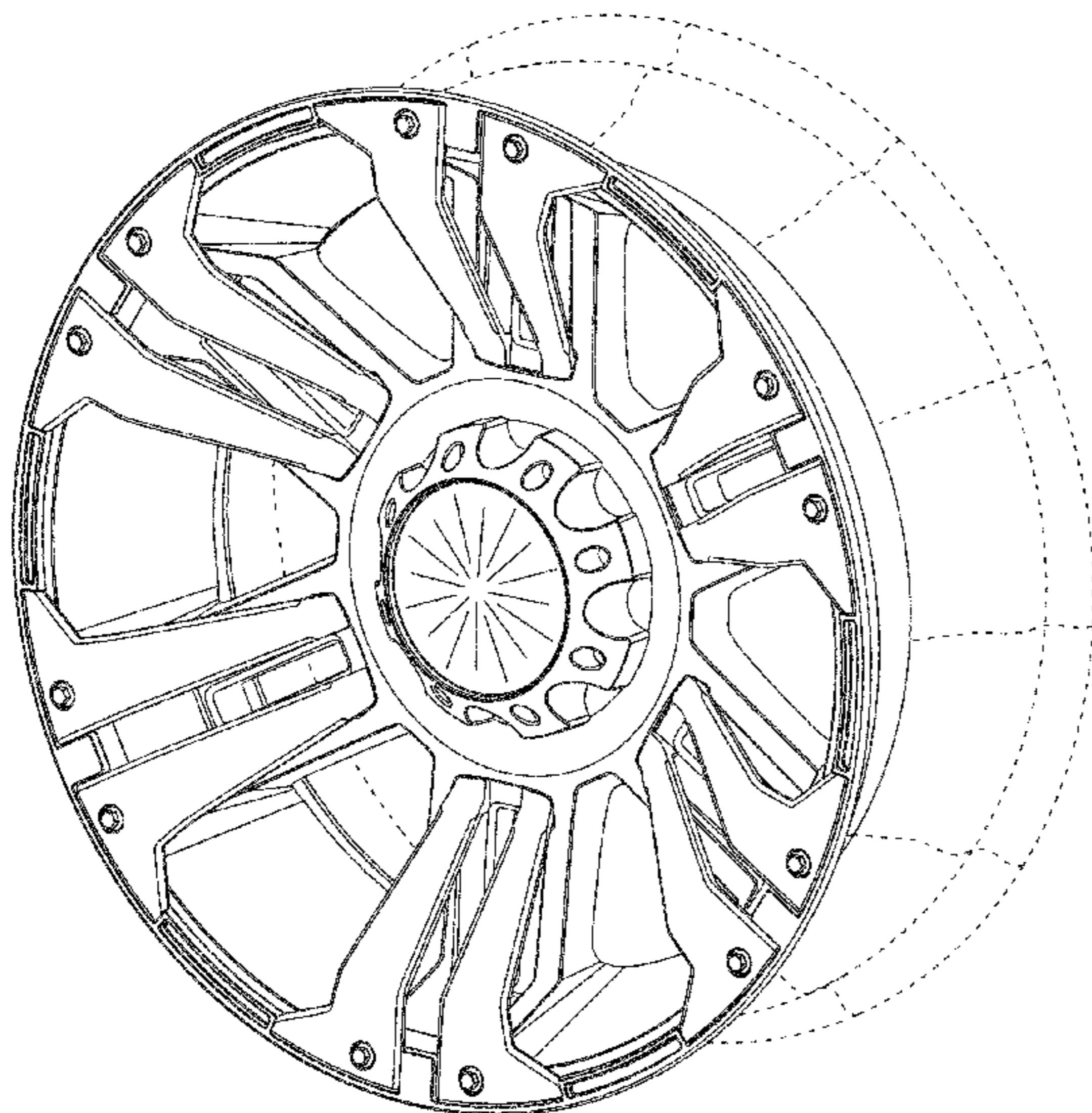
FIG. 12 is a top plan view of the wheel of FIG. 8;

FIG. 13 is a bottom plan view of the wheel of FIG. 8; and,

FIG. 14 is a rear elevational view of the wheel of FIG. 8.

The broken line showing of the rear of the wheel is included for the purpose of illustrating environment and forms no part of the claimed design.

1 Claim, 12 Drawing Sheets



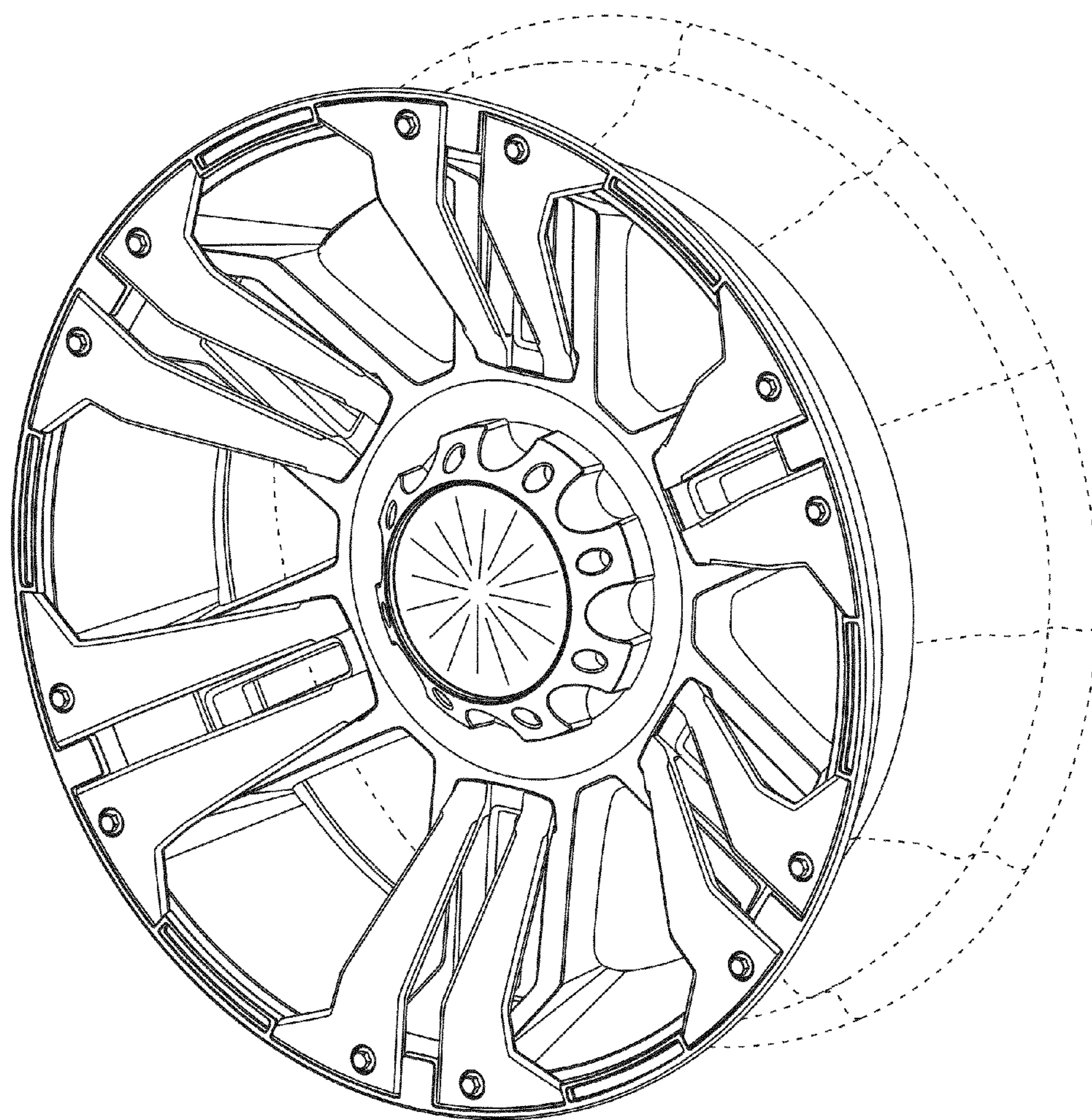


FIG. 1

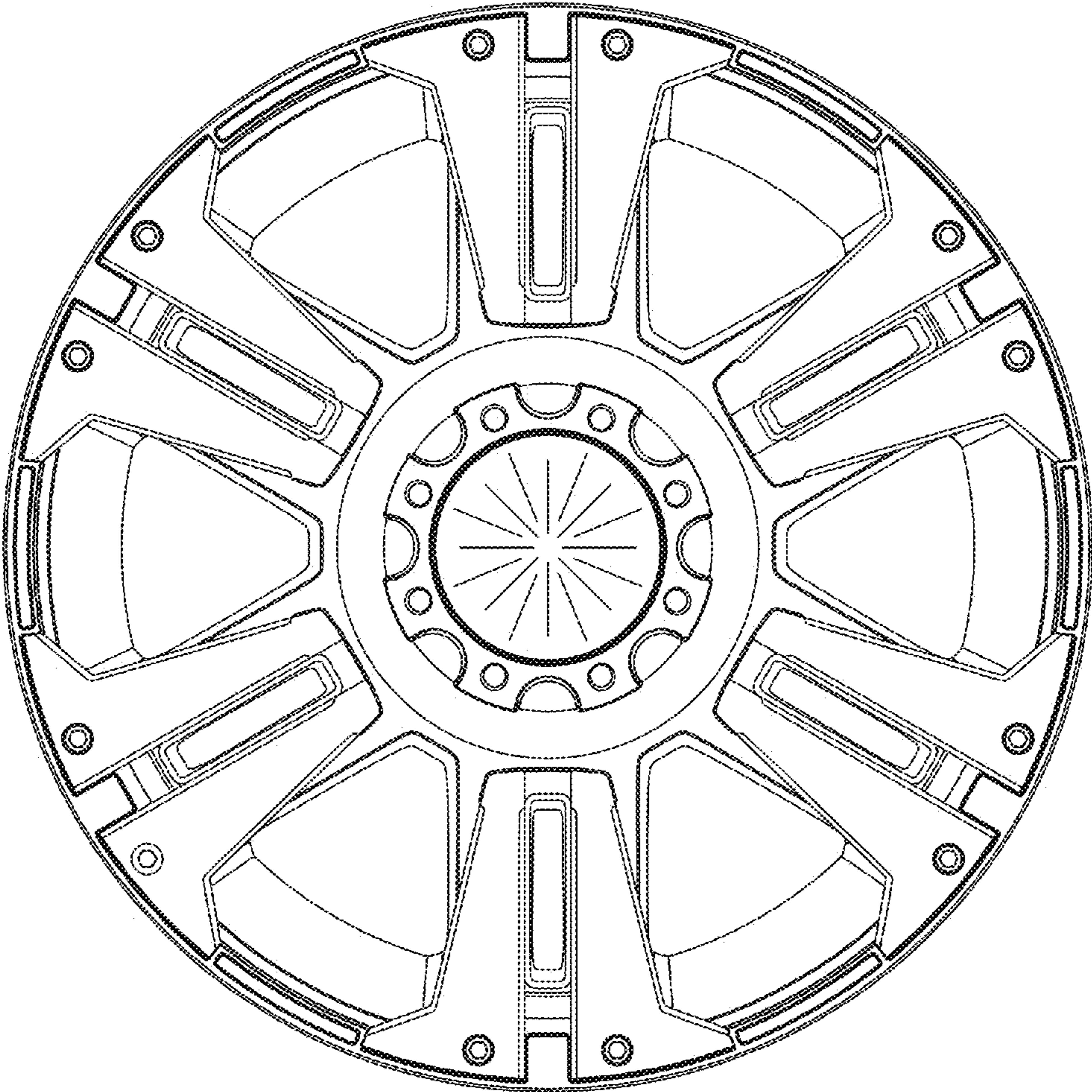


FIG. 2

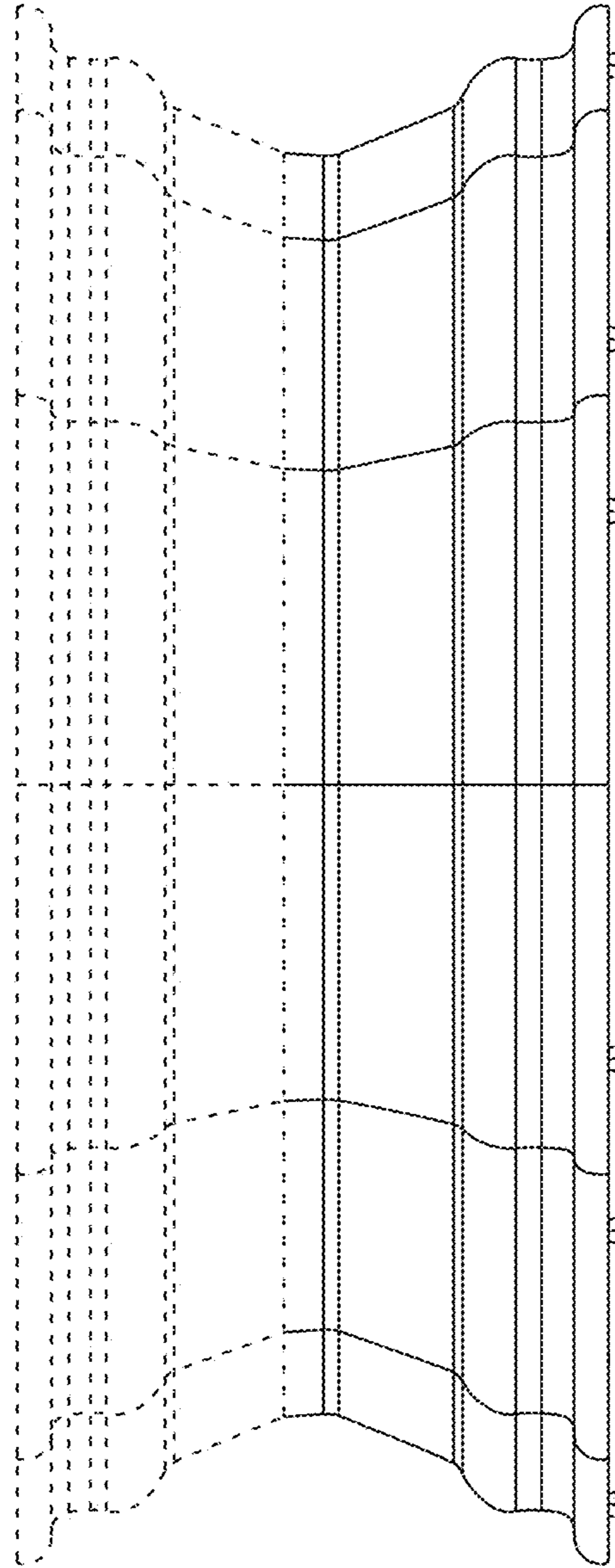


FIG. 3

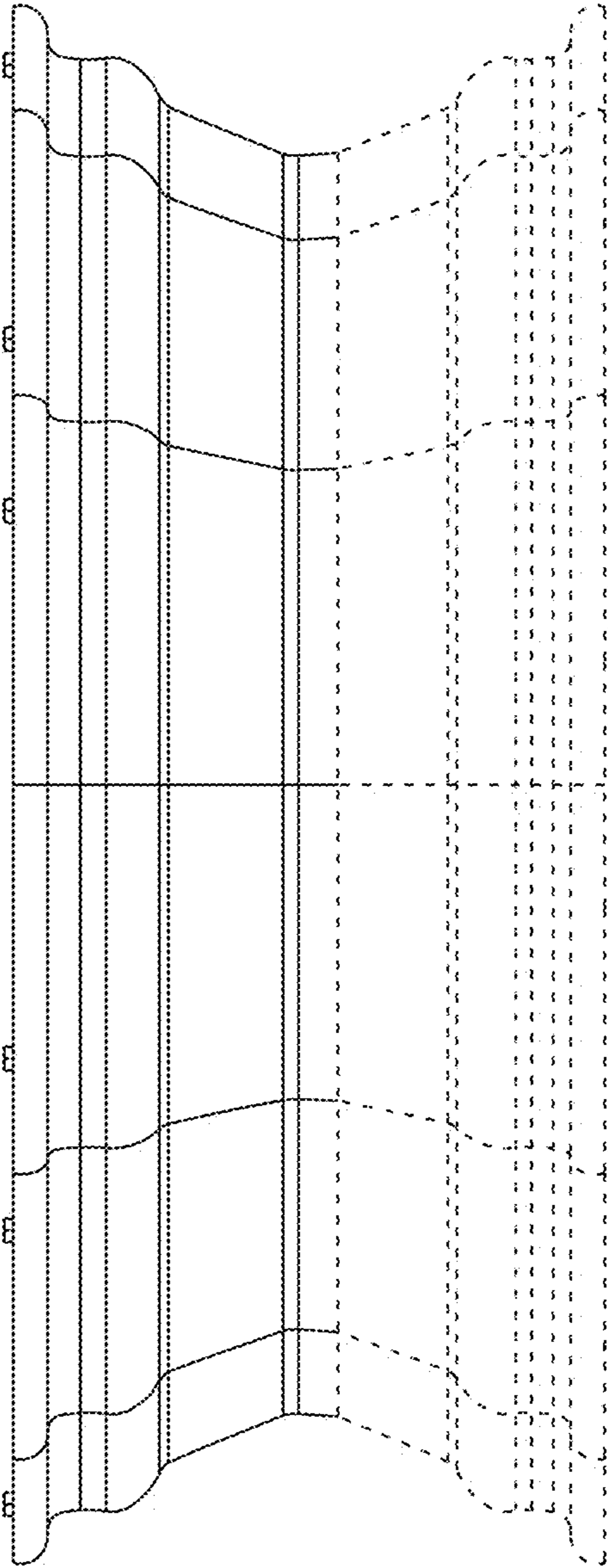


FIG. 4

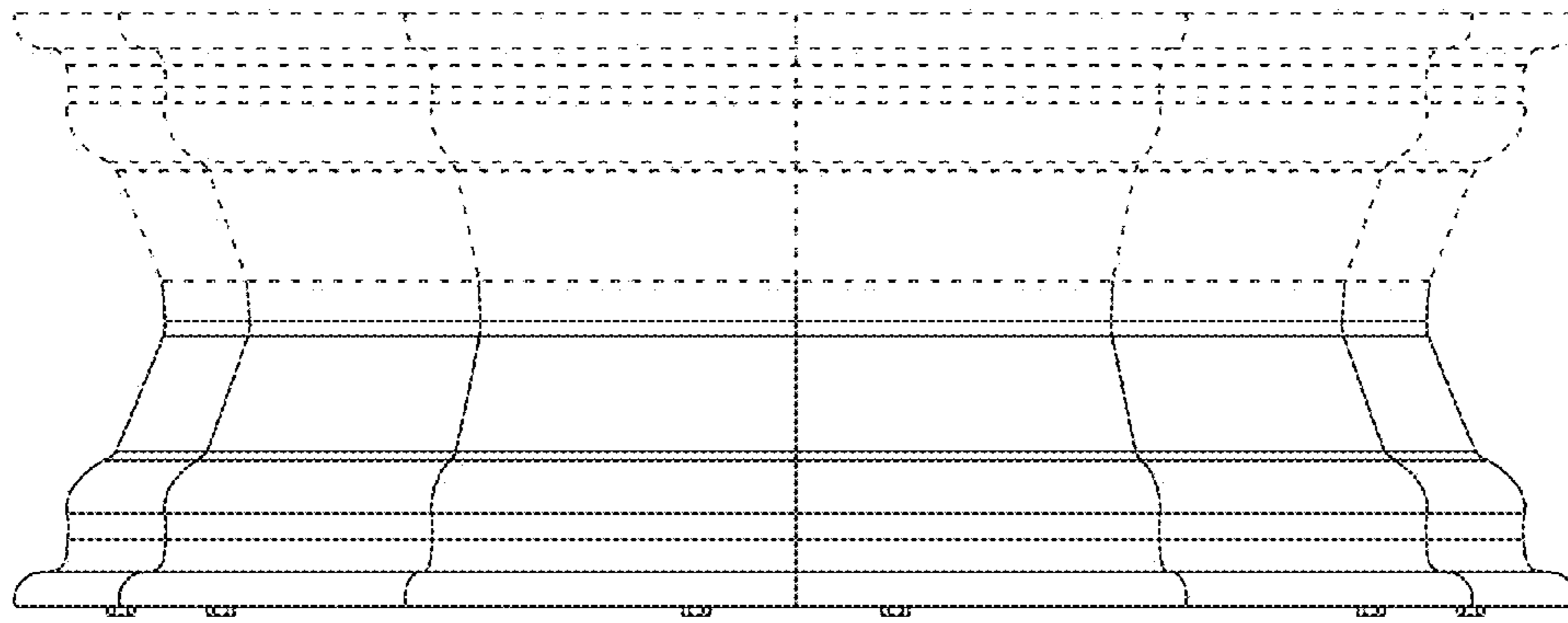


FIG. 5

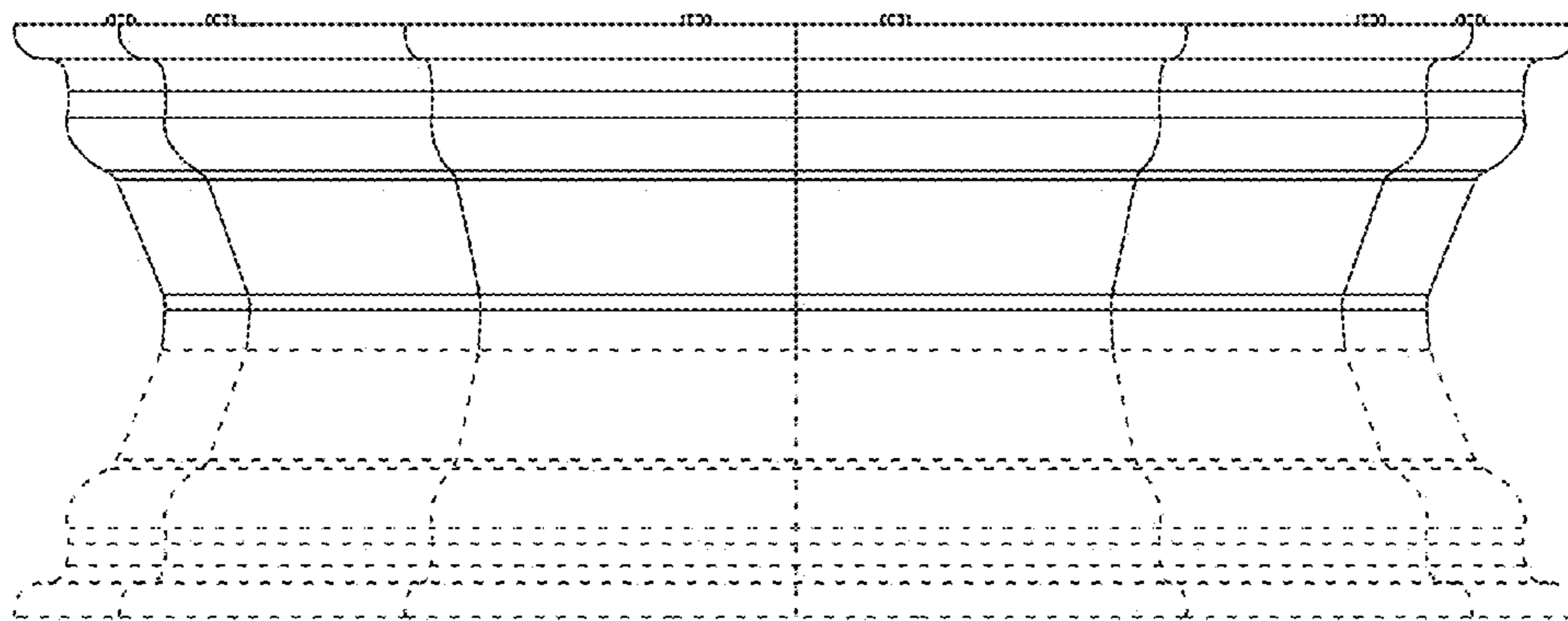


FIG. 6

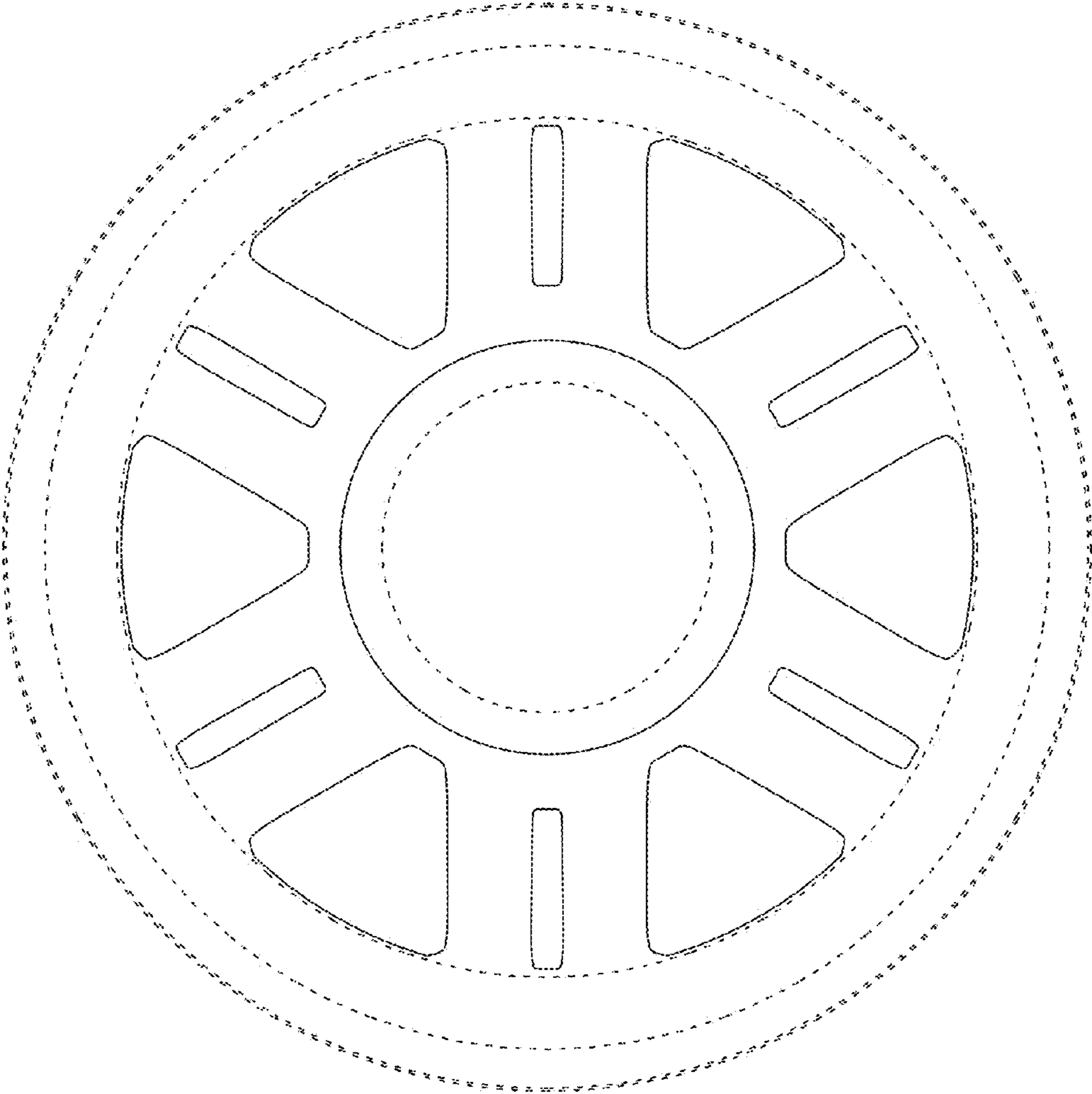


FIG. 7

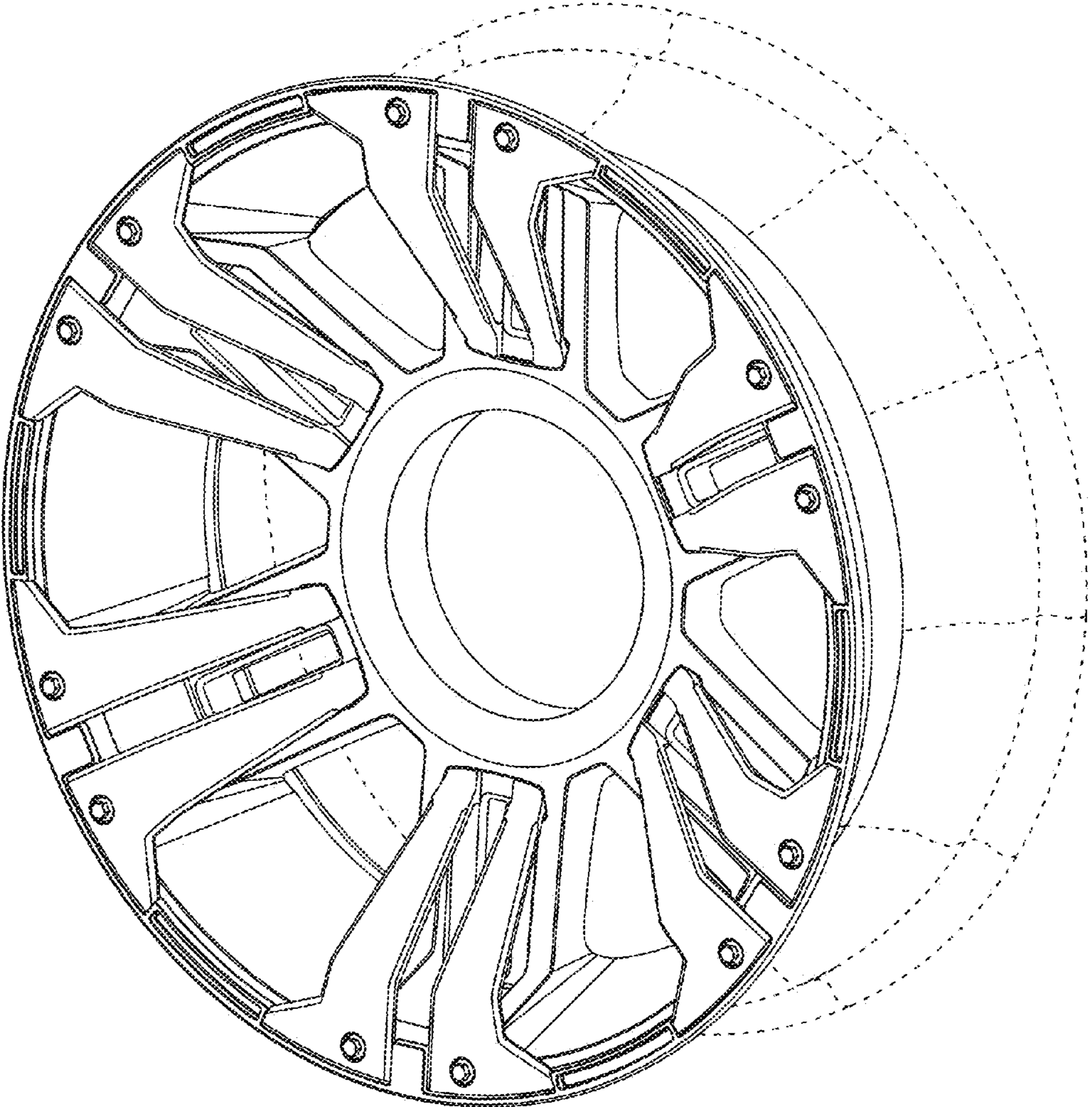


FIG. 8

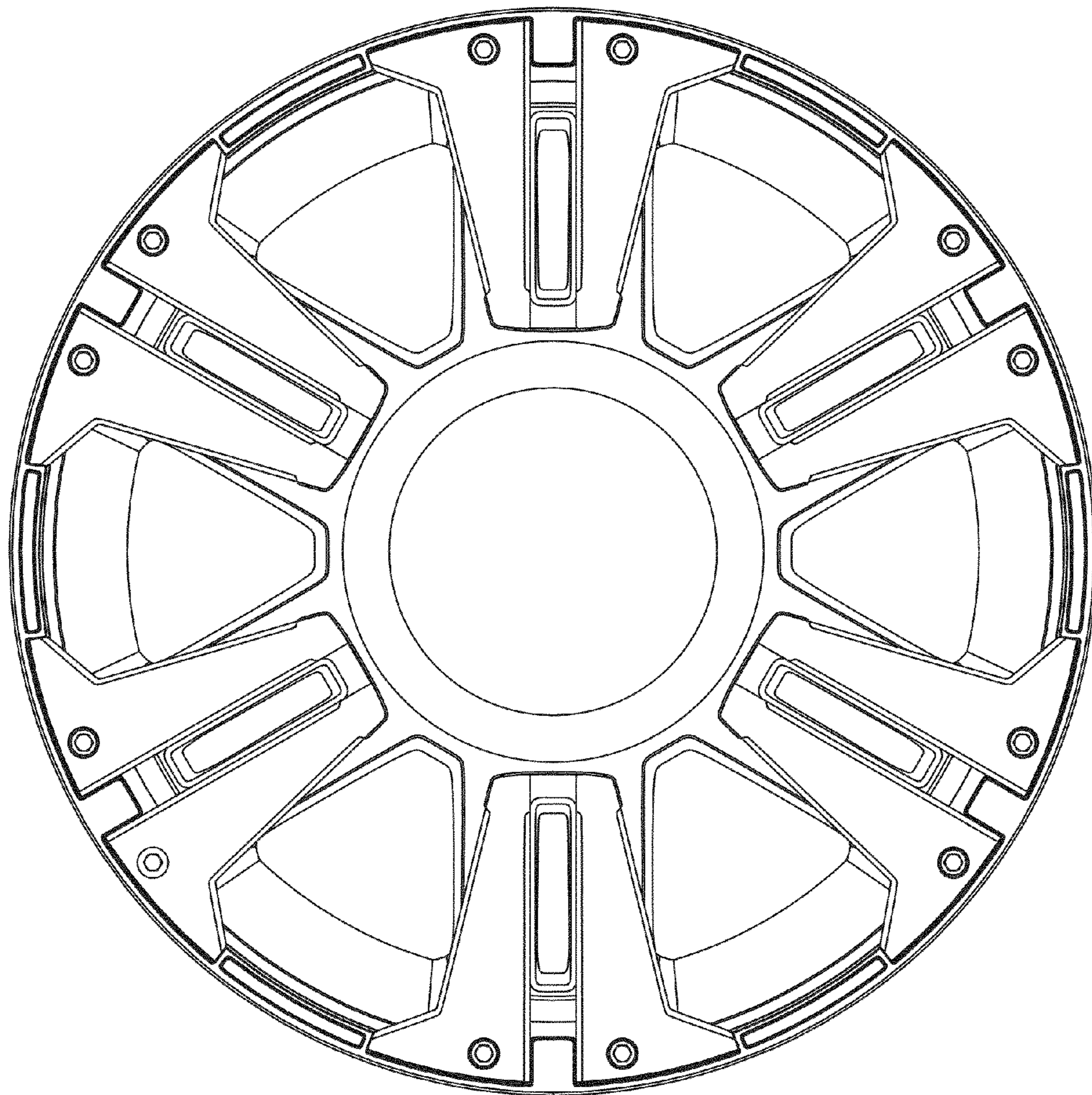


FIG. 9

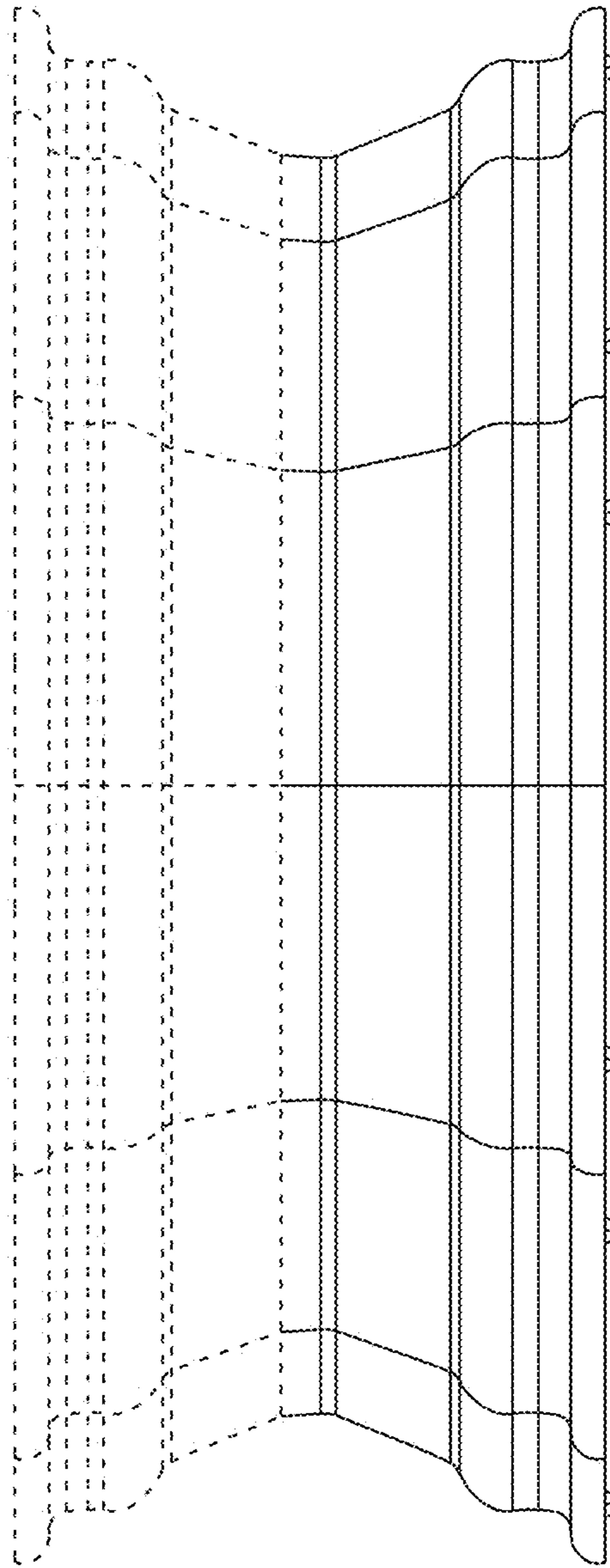


FIG. 10

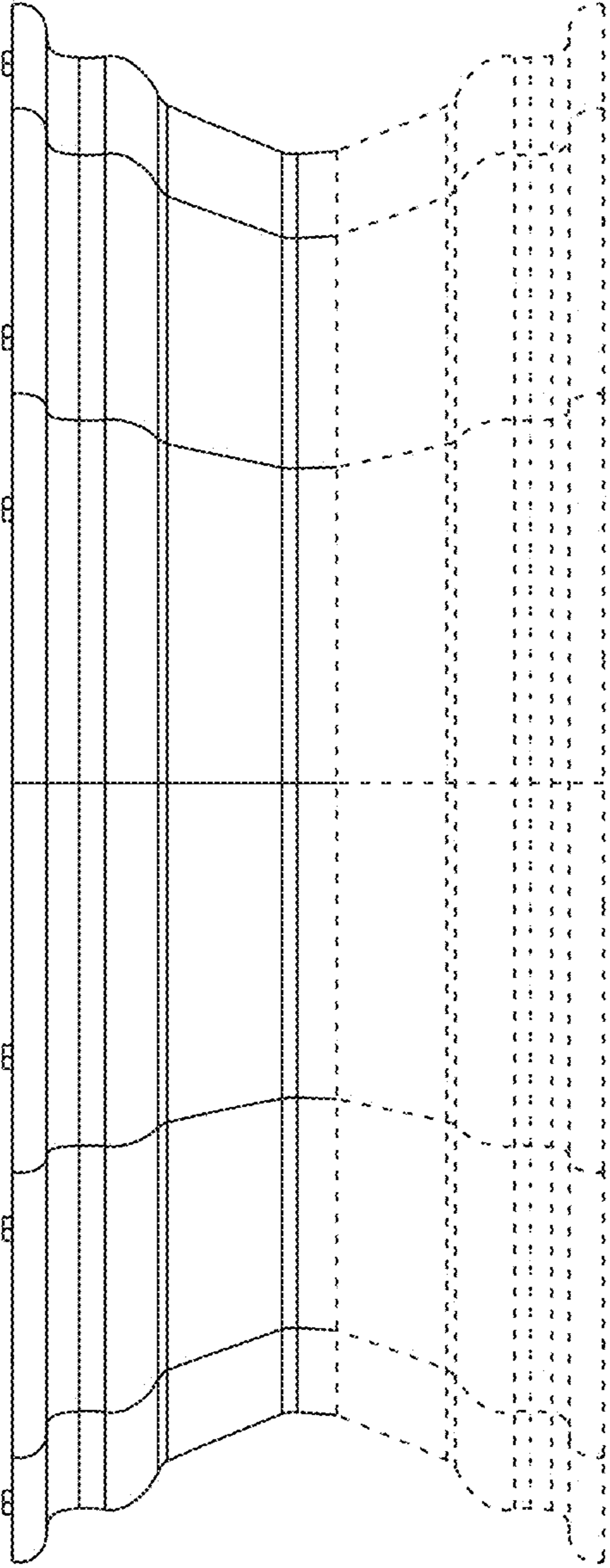


FIG. 11

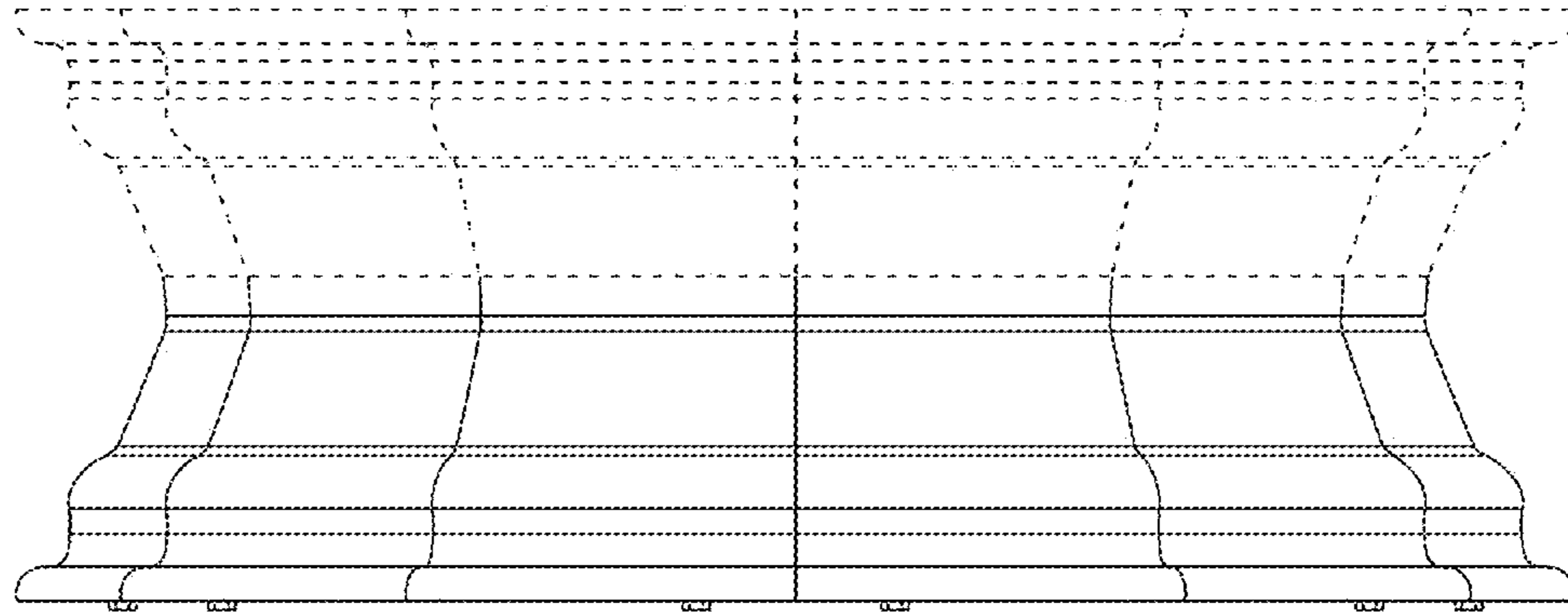


FIG. 12

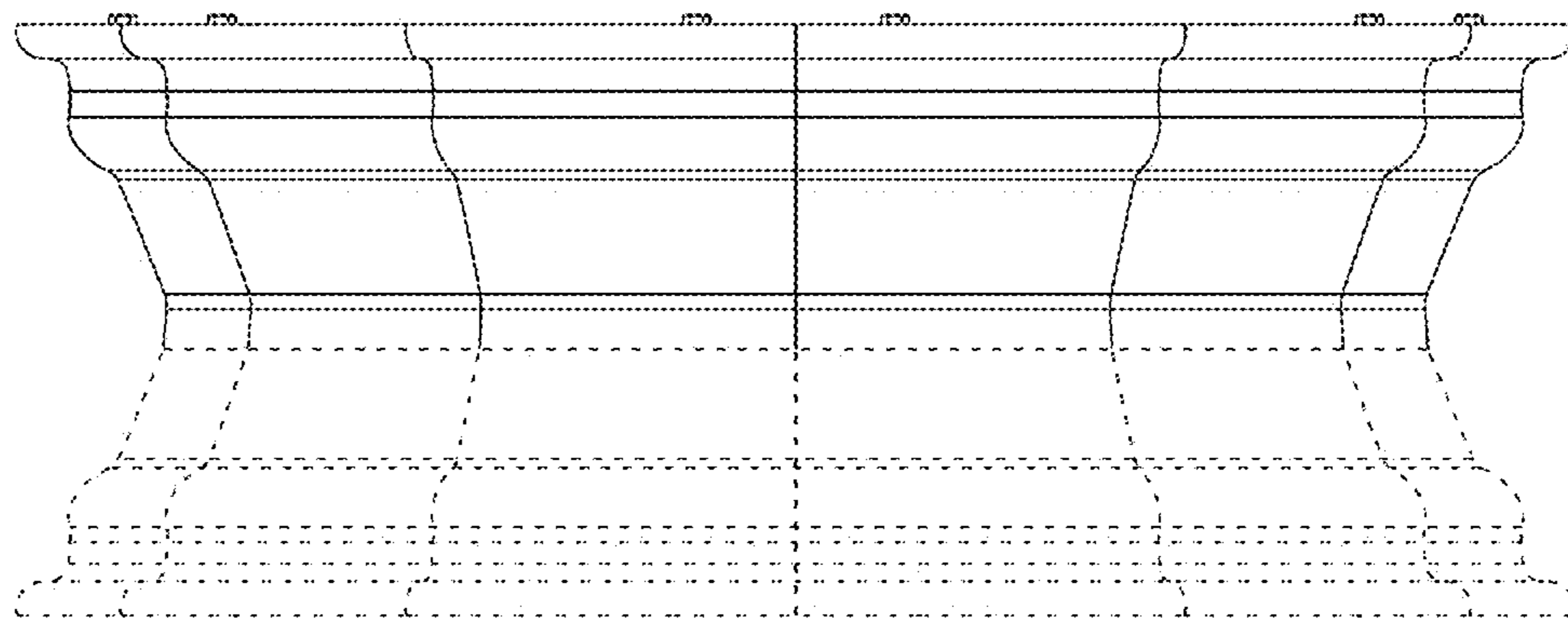


FIG. 13

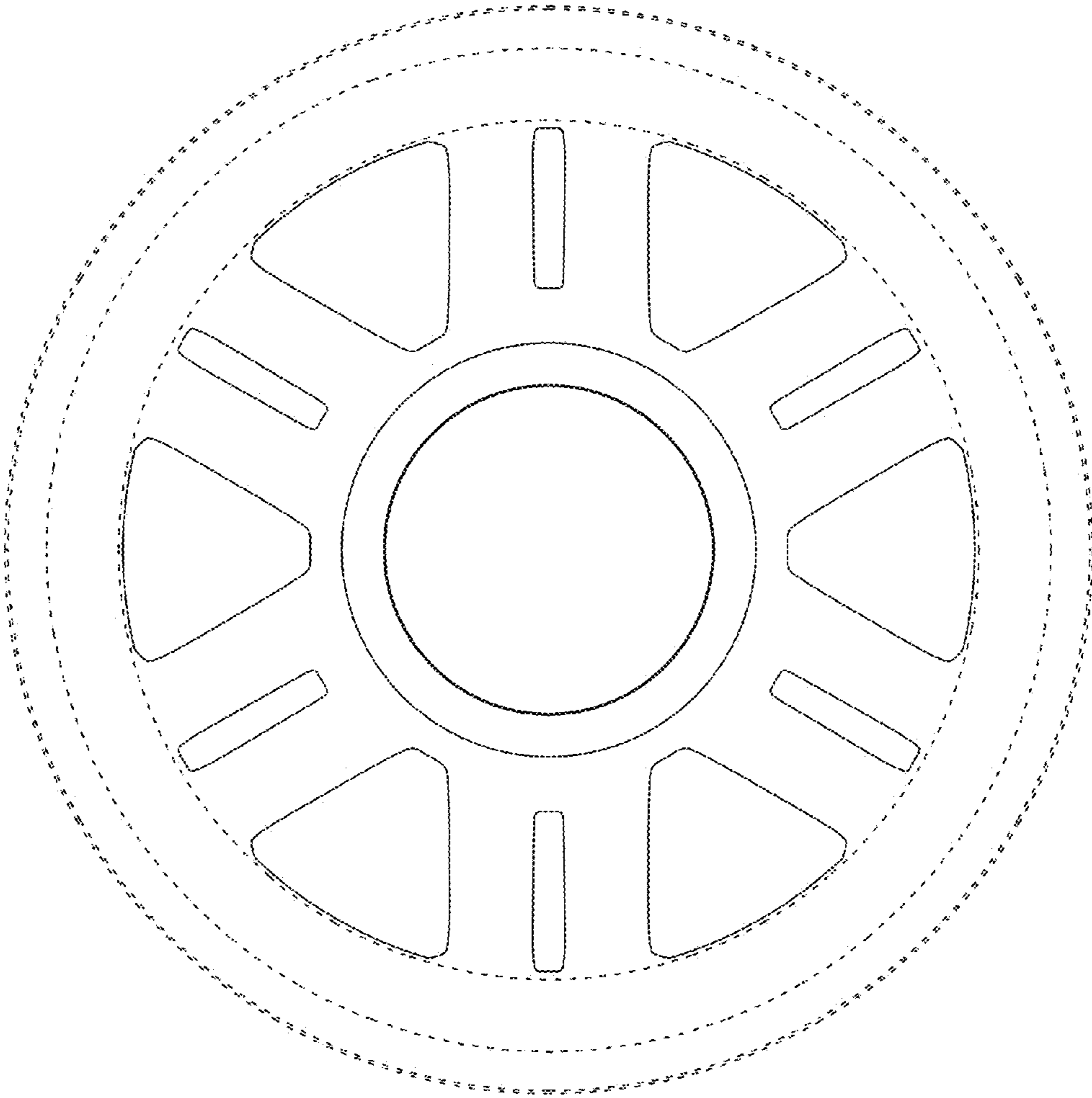


FIG. 14