



US00D712325S

(12) **United States Design Patent**
Bohanan et al.

(10) **Patent No.:** **US D712,325 S**

(45) **Date of Patent:** **** Sep. 2, 2014**

(54) **REAR-VIEW MIRROR DEVICE**

2010/0290141 A1* 11/2010 Huang 359/844

* cited by examiner

(71) Applicants: **Jeff Bohanan**, Powell, TN (US);
Charles Reeves, Woodlands, TX (US)

Primary Examiner — Katrina A Betton

(72) Inventors: **Jeff Bohanan**, Powell, TN (US);
Charles Reeves, Woodlands, TX (US)

(74) *Attorney, Agent, or Firm* — Pitts & Lake, P.C.

(73) Assignee: **Protomet Corporation**, Oak Ridge, TN (US)

(57) **CLAIM**

We claim the ornamental design for a rear-view mirror device, as shown and described.

(**) Term: **14 Years**

(21) Appl. No.: **29/434,846**

DESCRIPTION

(22) Filed: **Oct. 17, 2012**

(51) **LOC (10) Cl.** **12-16**

(52) **U.S. Cl.**

USPC **D12/187**

(58) **Field of Classification Search**

USPC D12/187–189, 96; D6/300, 309;
359/838, 841, 843, 844, 868, 871, 872,
359/604, 881, 514, 866; 248/479–483,
248/475.1

See application file for complete search history.

FIG. 1 is a perspective view of a rear-view mirror device of the present general inventive concept. The broken lines showing the attachment bracket are for illustrative purposes only, and form no part of the claimed design;

FIG. 2 is a front elevation view of the rear-view mirror device shown in FIG. 1;

FIG. 3 is a rear elevation view of the rear-view mirror device shown in FIG. 1;

FIG. 4 is an alternate embodiment of the rear elevation view shown in FIG. 3;

FIG. 5 is a top plan view of the rear-view mirror device shown in FIG. 1;

FIG. 6 is a bottom plan view of the rear-view mirror device shown in FIG. 1; and,

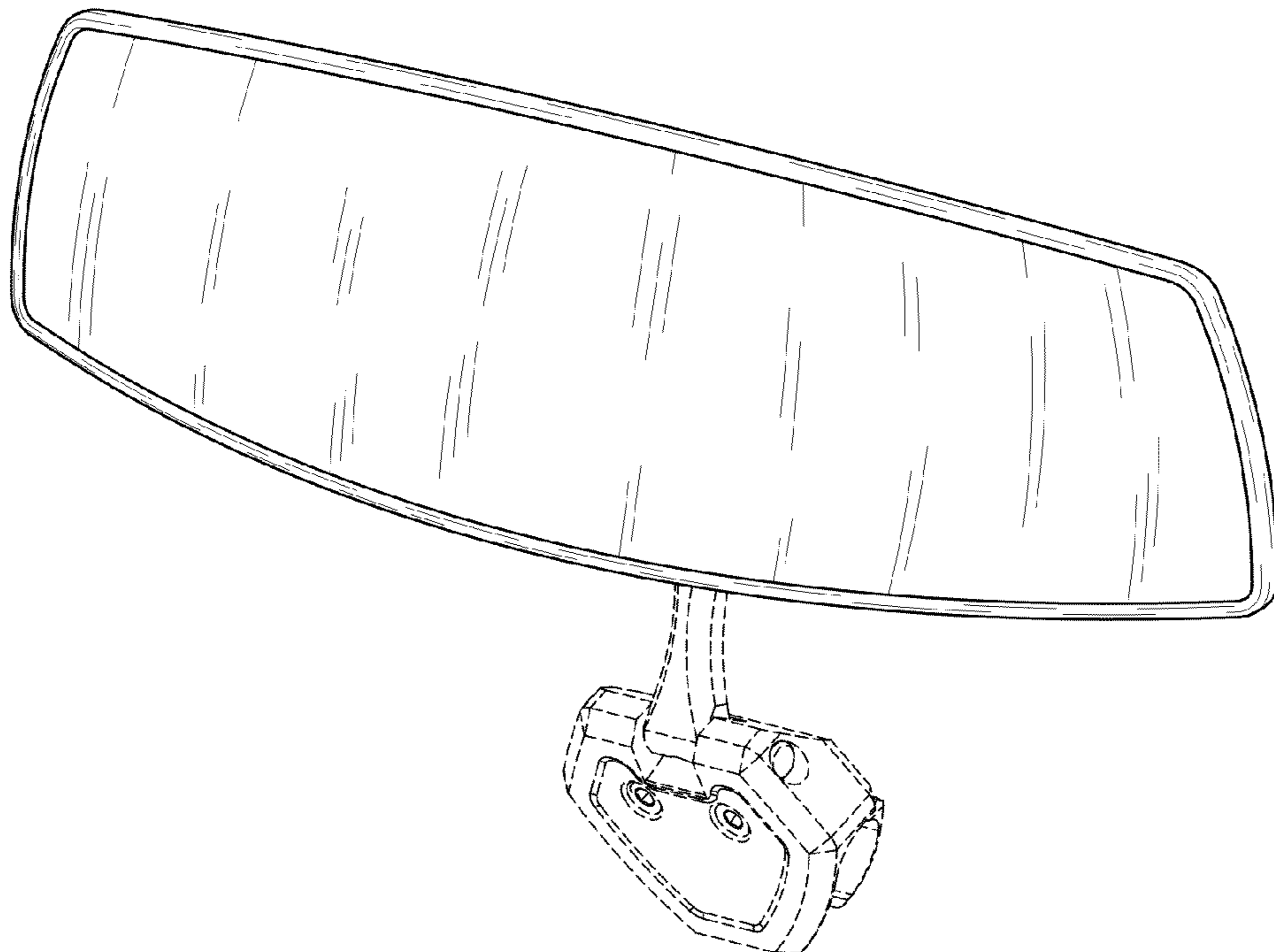
FIG. 7 is a right side elevation view of the rear-view mirror device shown in FIG. 1, the left side elevation view being a mirror image thereof.

(56) **References Cited**

U.S. PATENT DOCUMENTS

D659,617 S * 5/2012 Brockington et al. D12/187
D660,208 S * 5/2012 De Wind D12/187
D661,234 S * 6/2012 De Wind D12/187
2010/0085645 A1* 4/2010 Skiver et al. 359/604

1 Claim, 4 Drawing Sheets



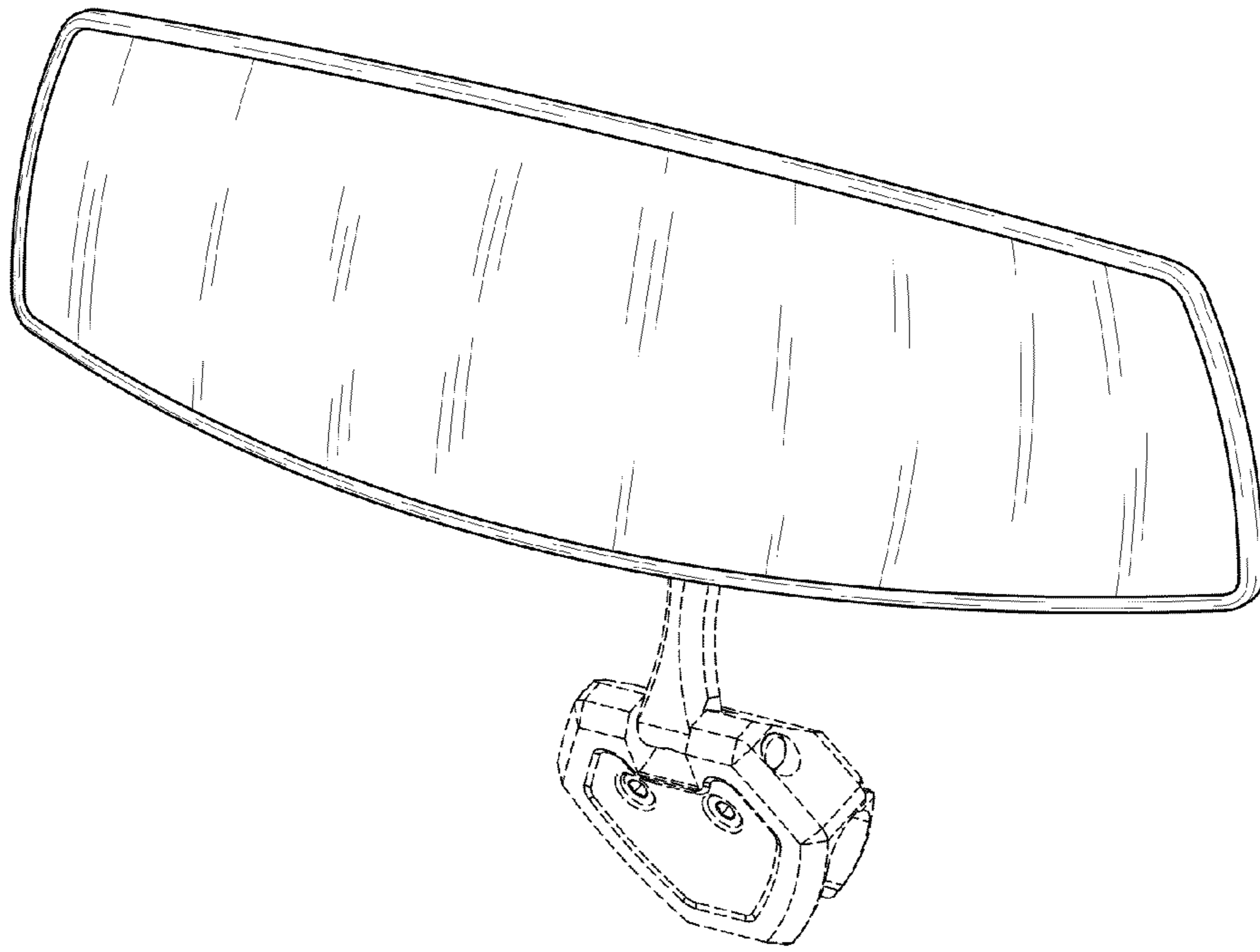


Fig. 1

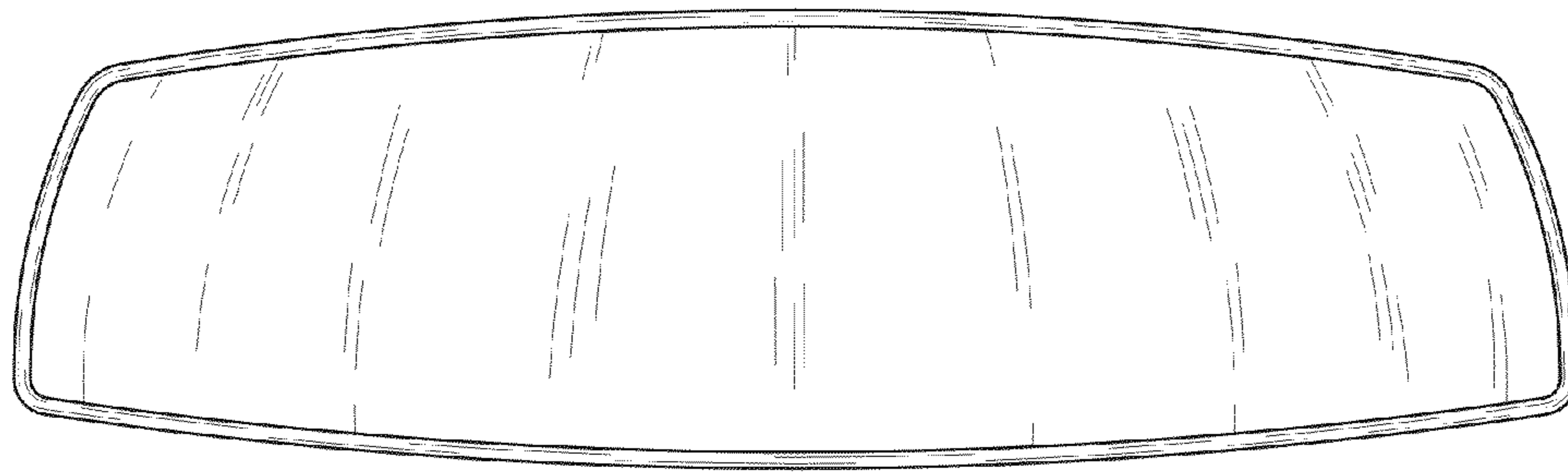


Fig. 2

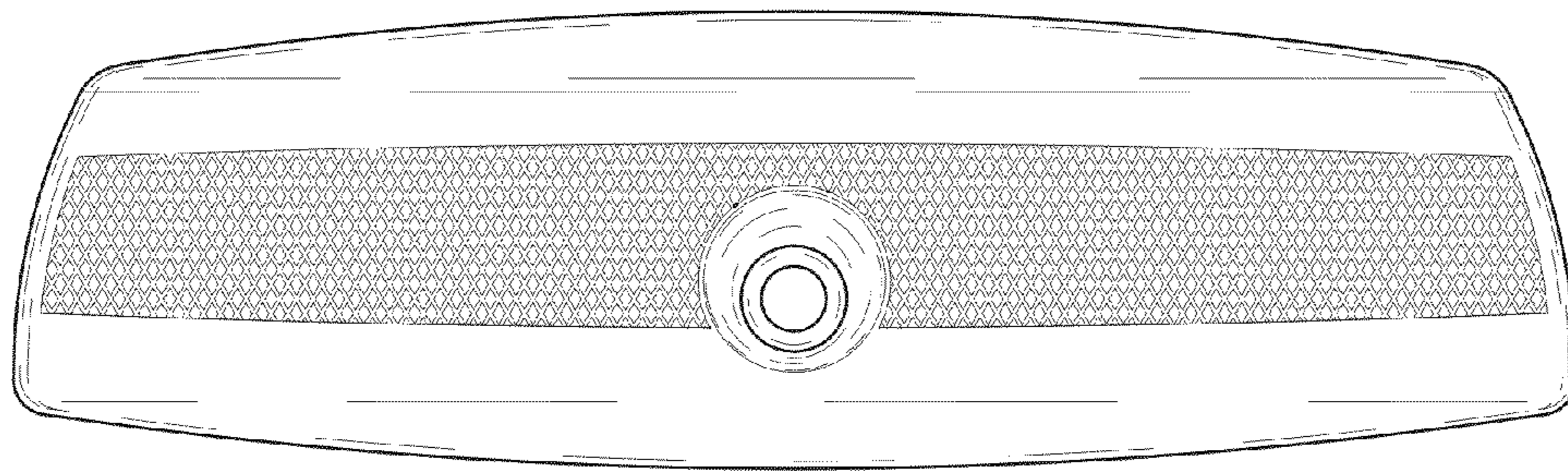


Fig. 3

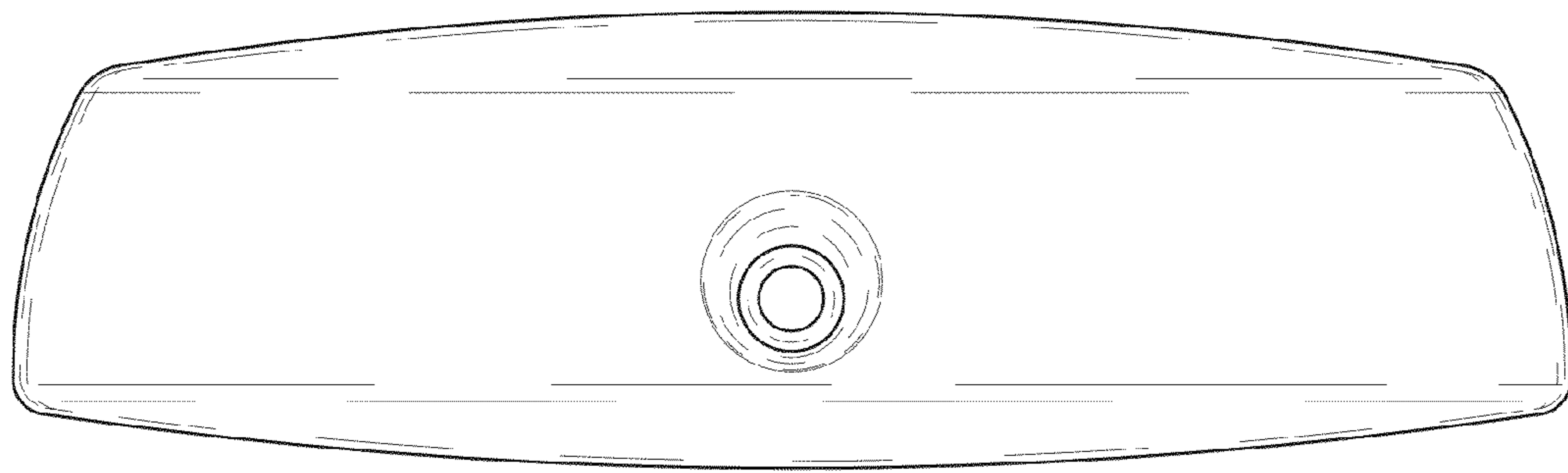


Fig. 4

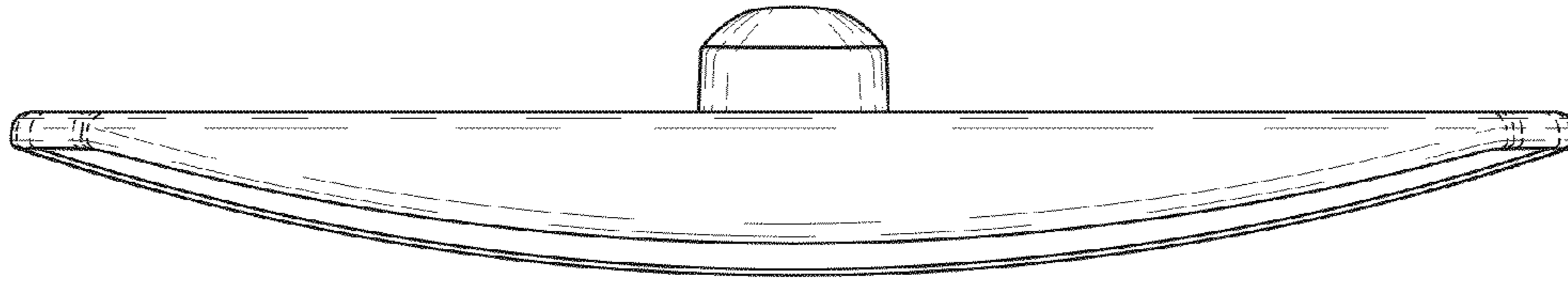


Fig. 5

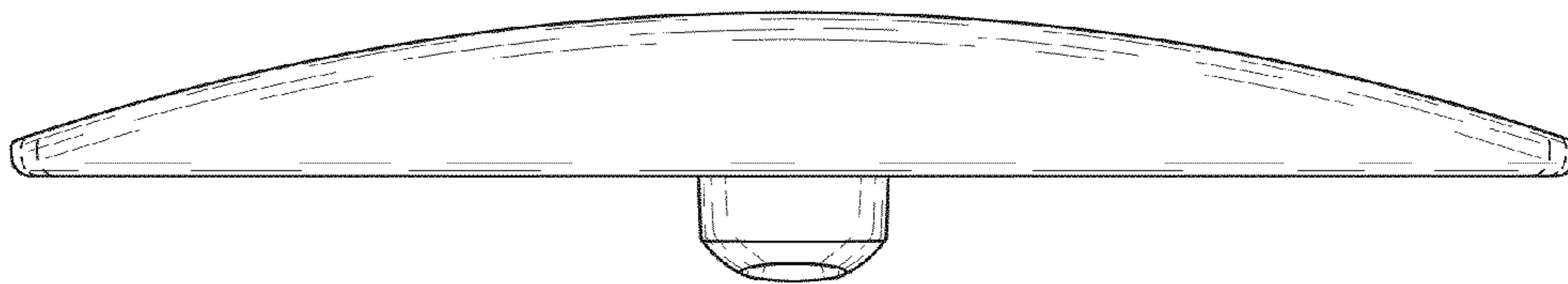


Fig. 6

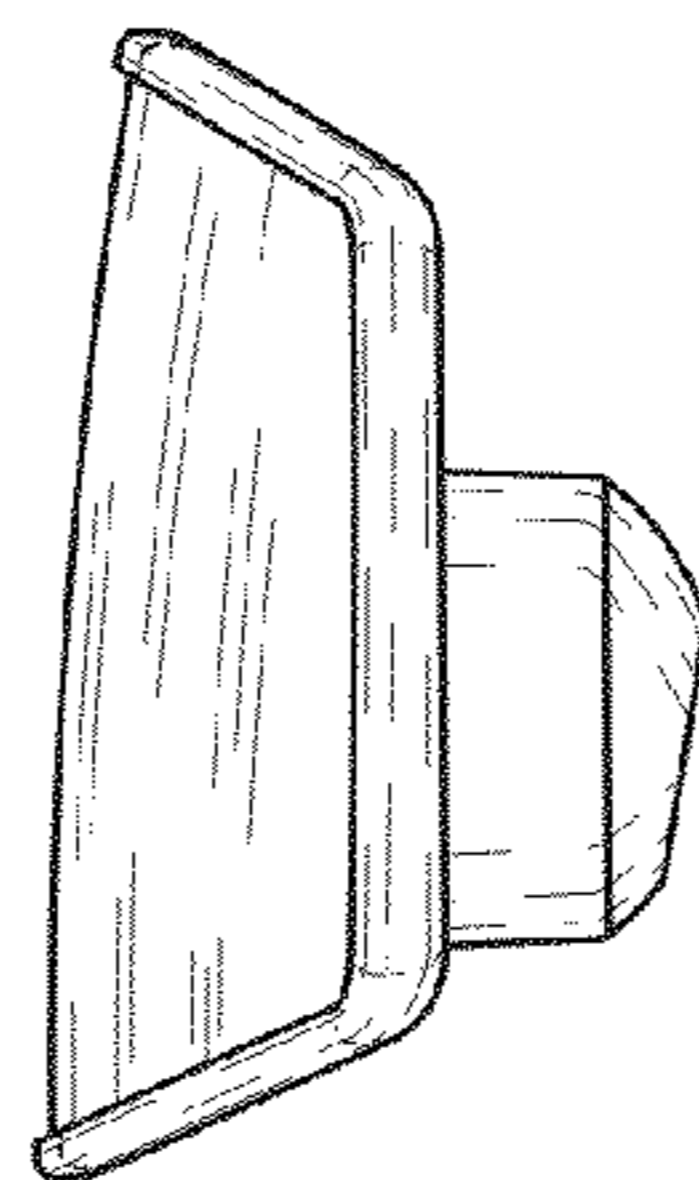


Fig. 7