



US00D712324S

(12) **United States Design Patent**
McFarlin et al.

(10) **Patent No.:** **US D712,324 S**

(45) **Date of Patent:** **** Sep. 2, 2014**

(54) **VEHICLE FENDER FLARES**

(71) Applicant: **Omix-Ada, Inc.**, Suwanee, GA (US)

(72) Inventors: **Reid McFarlin**, Suwanee, GA (US);
Patrick Bennett, Gainesville, GA (US);
Henk Van Dongen, Monroe, GA (US)

(73) Assignee: **Omix-Ada, Inc.**, Suwanee, GA (US)

(**) Term: **14 Years**

(21) Appl. No.: **29/462,701**

(22) Filed: **Aug. 7, 2013**

(51) **LOC (10) Cl.** **12-08**

(52) **U.S. Cl.**
USPC **D12/181**

(58) **Field of Classification Search**
USPC D12/181, 191, 196, 400, 190, 88;
280/727, 770, 848; 296/180.1-180.5,
296/91; 180/903

See application file for complete search history.

(56) **References Cited**

U.S. PATENT DOCUMENTS

D336,885 S * 6/1993 Hart et al. D12/203
D395,269 S * 6/1998 McCauley, Jr. D12/203

D582,825 S * 12/2008 Logan D12/196
D623,103 S * 9/2010 Braga D12/181
D644,581 S * 9/2011 Beigel et al. D12/181
D644,972 S * 9/2011 Beigel et al. D12/181

* cited by examiner

Primary Examiner — Katrina A Betton

(74) *Attorney, Agent, or Firm* — Womble Carlyle Sandridge & Rice LLP

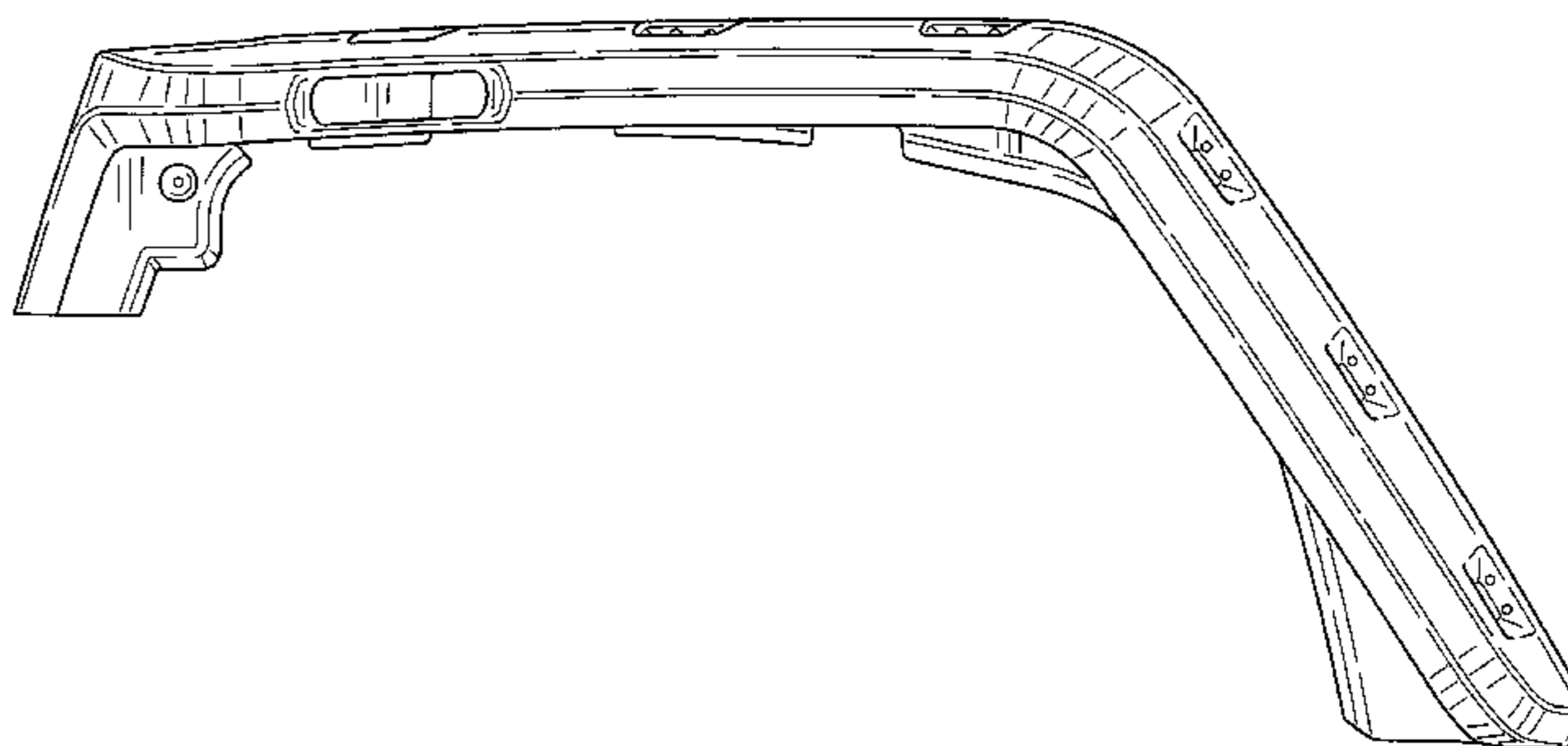
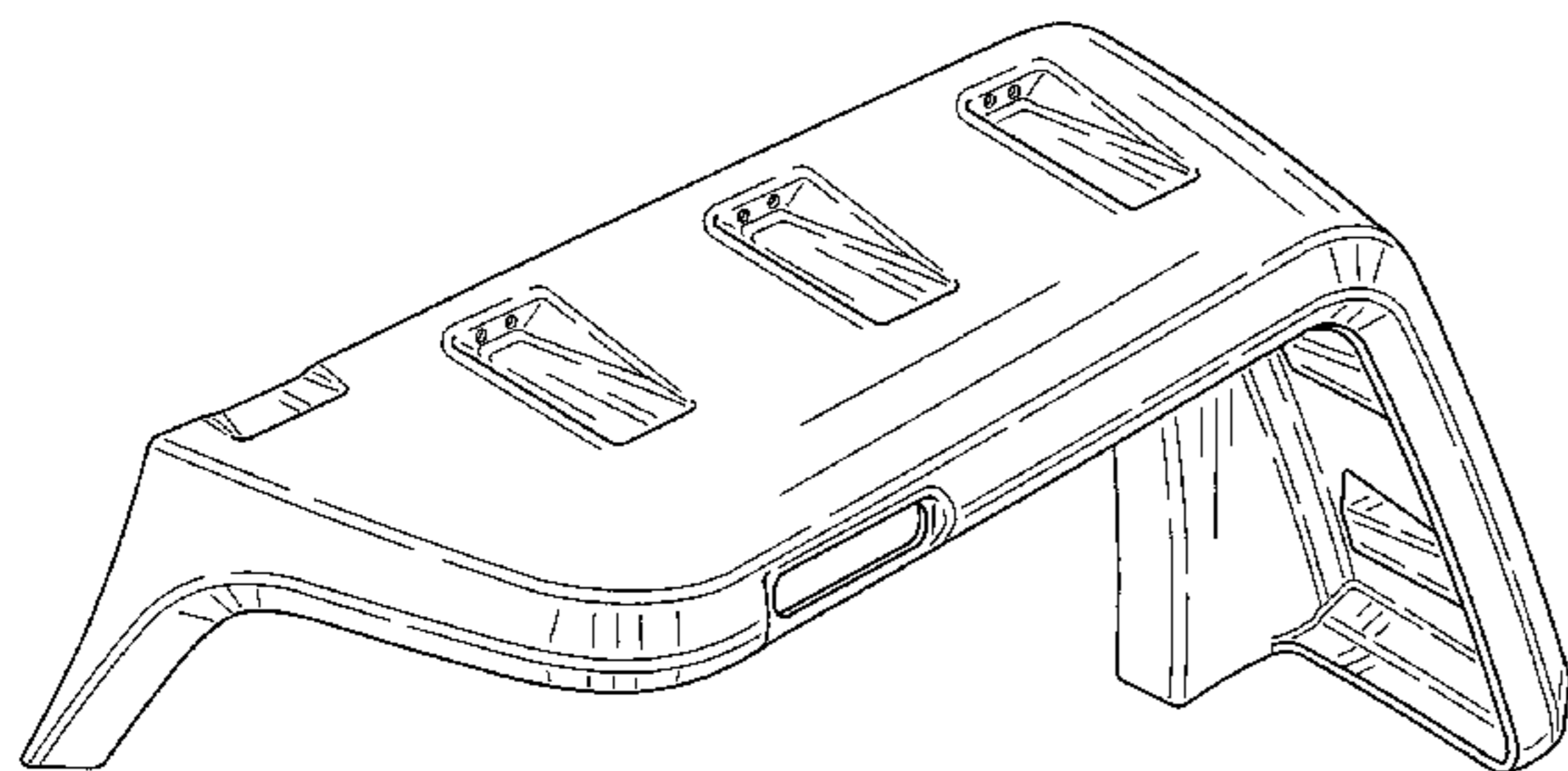
(57) **CLAIM**

The ornamental design for vehicle fender flares, as shown and described.

DESCRIPTION

FIG. 1 is a front top perspective view of a vehicle fender flare for the right side of a vehicle showing our new design. FIG. 2 is a rear bottom perspective view thereof. FIG. 3 is a right side elevational view thereof. FIG. 4 is a left side elevational view thereof. FIG. 5 is a front elevational view thereof. FIG. 6 is a rear elevational view thereof. FIG. 7 is a top elevational view thereof; and, FIG. 8 is a bottom elevational view thereof. For each view of the vehicle fender flare for the right side of a vehicle, a vehicle fender flare for the left side of a vehicle is a mirror image thereof and the mirror images are claimed.

1 Claim, 7 Drawing Sheets



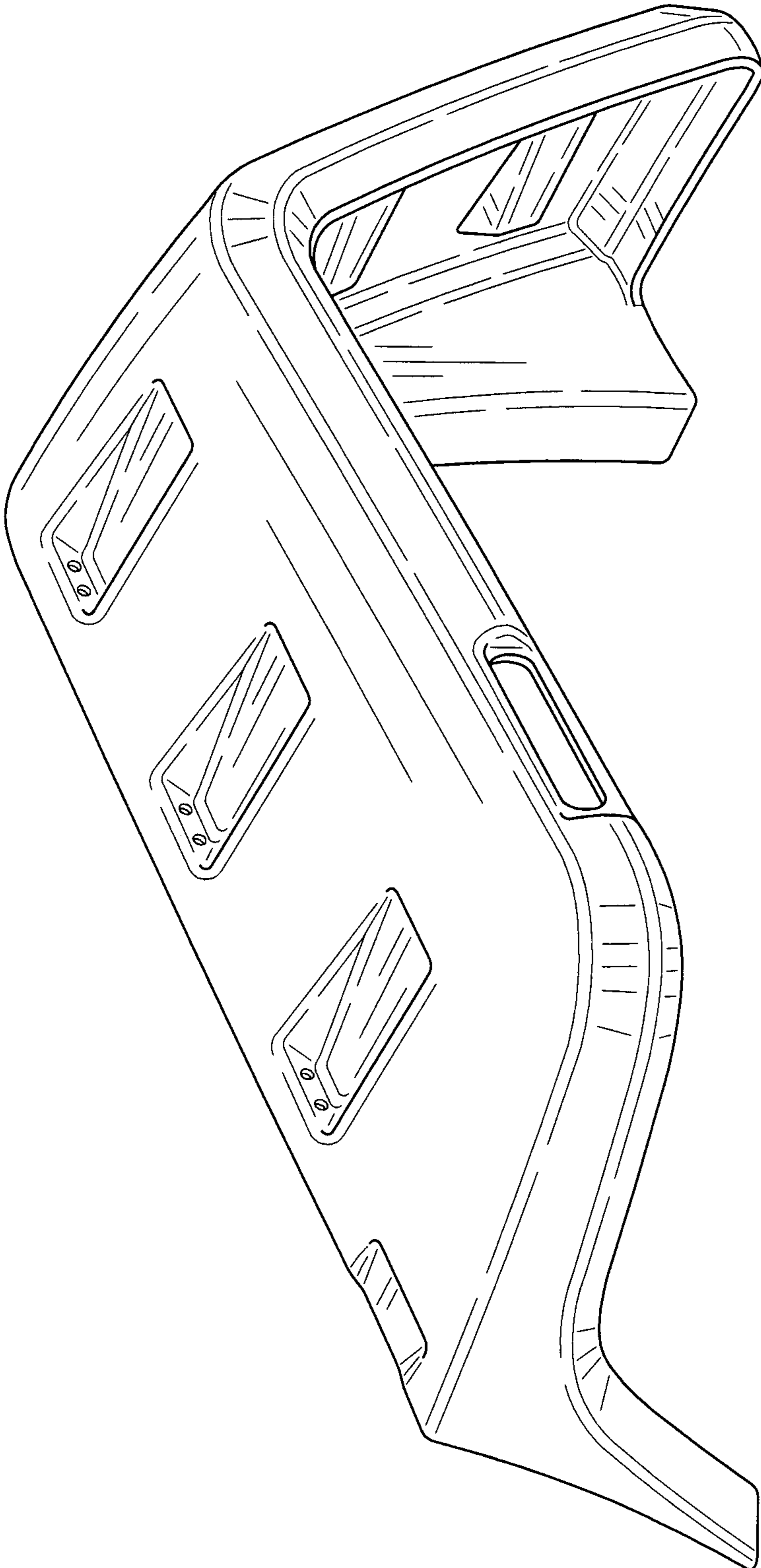


FIG. 1

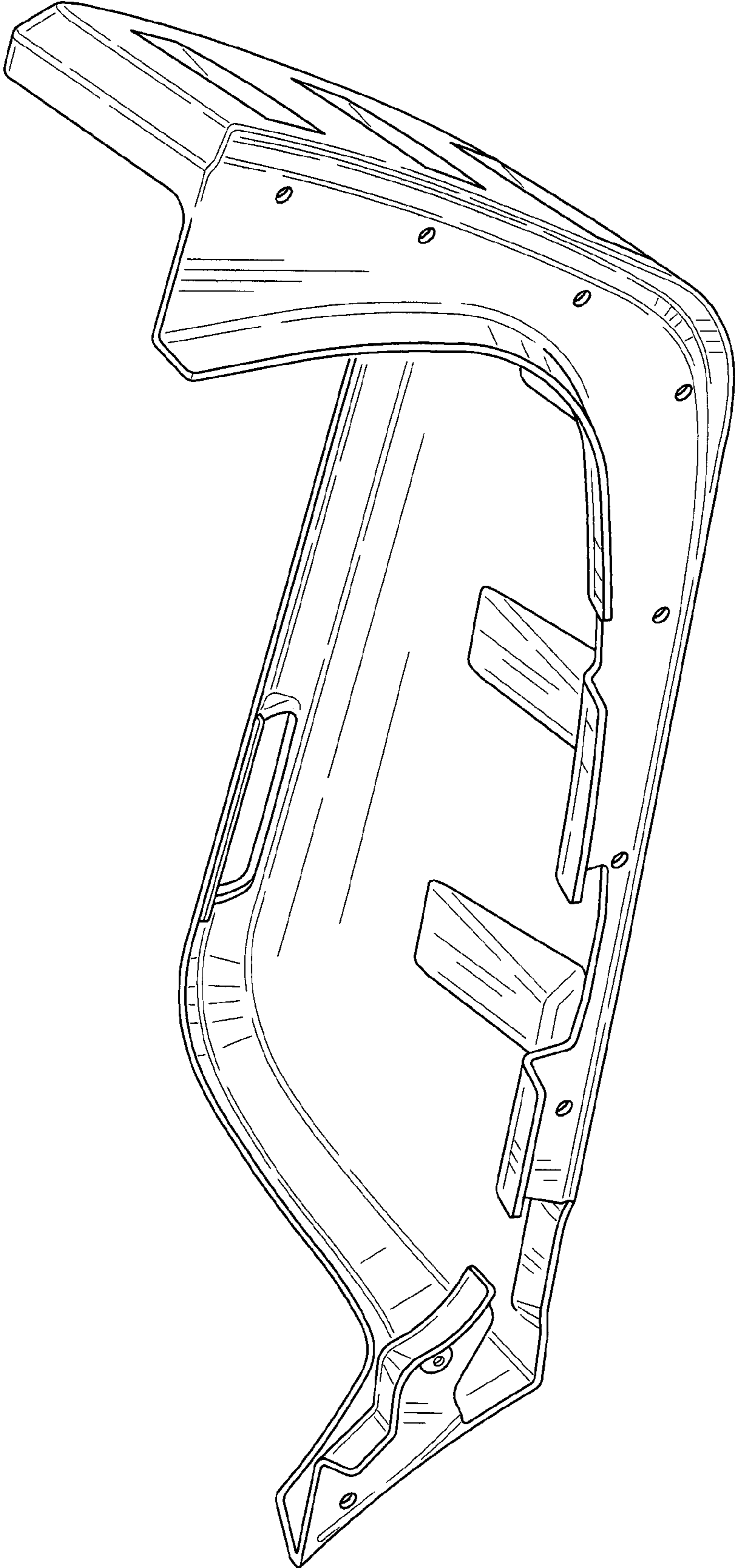


FIG. 2

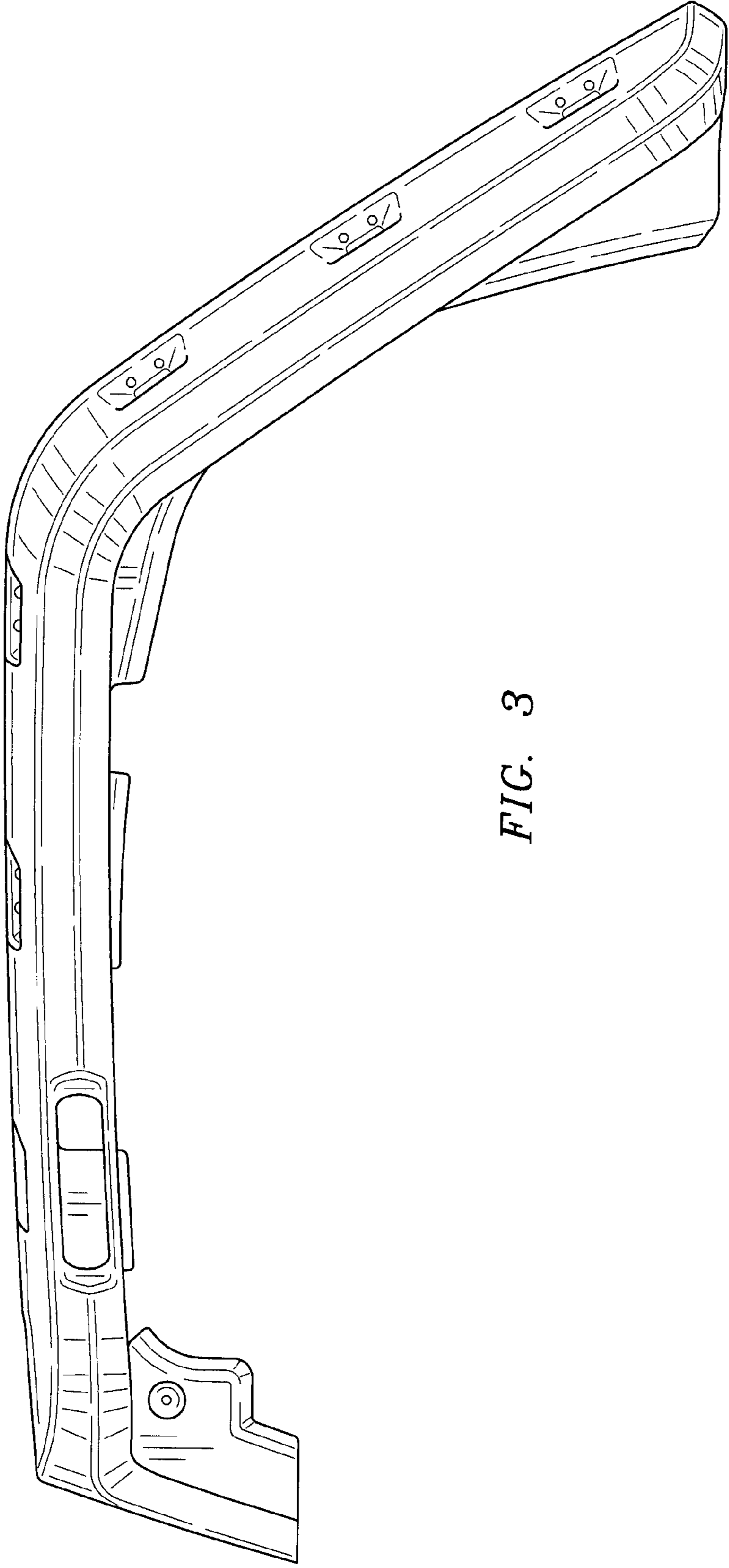


FIG. 3

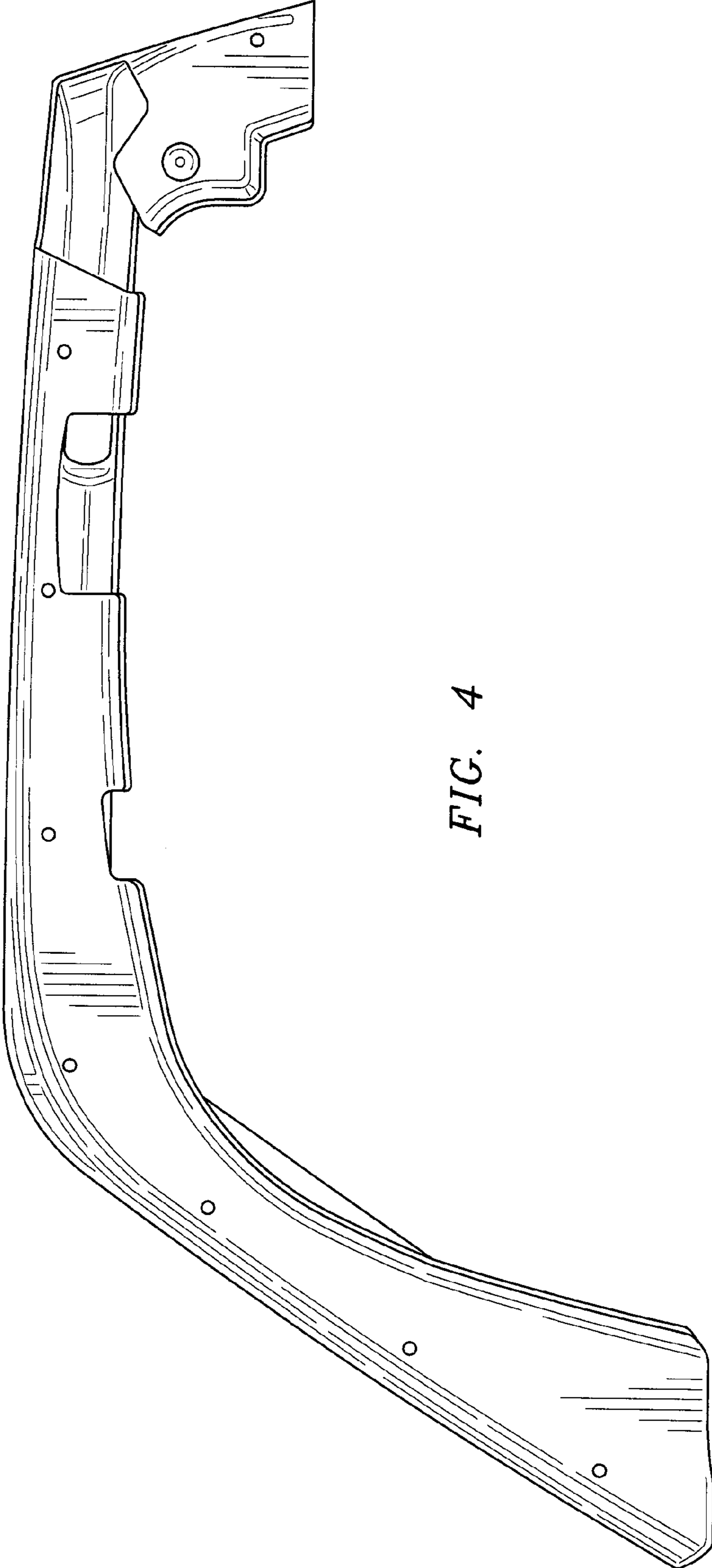


FIG. 4

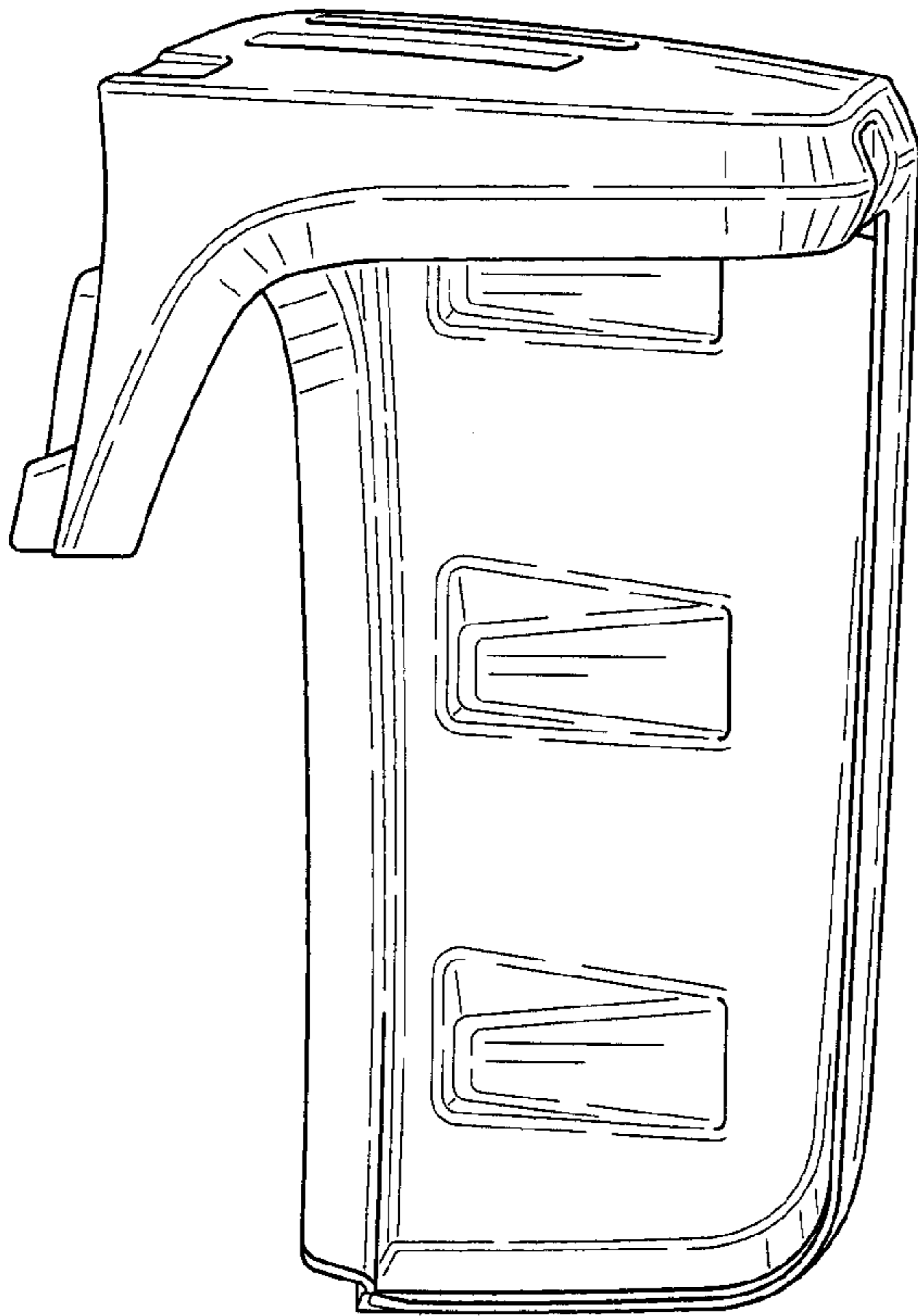


FIG. 5

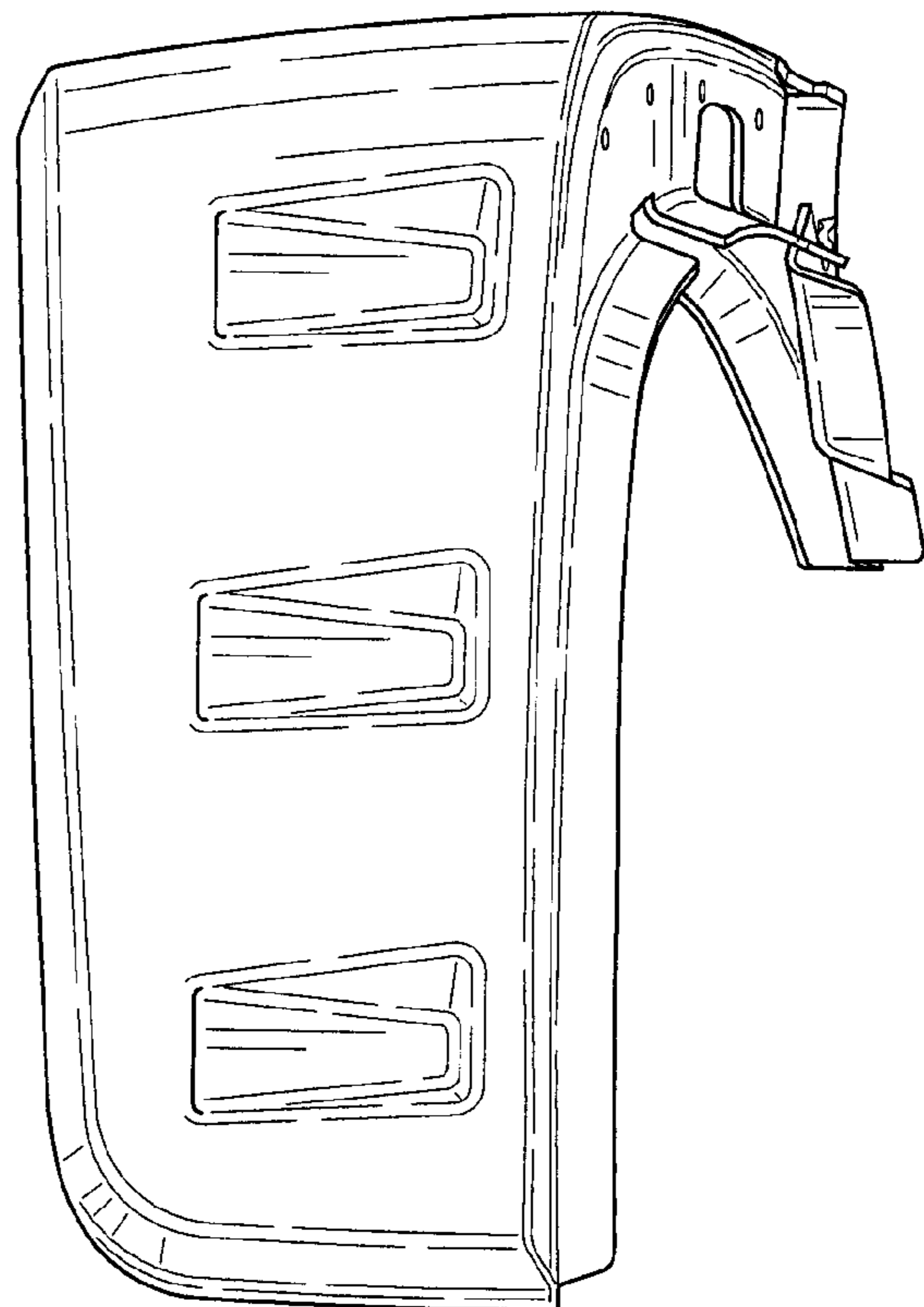


FIG. 6

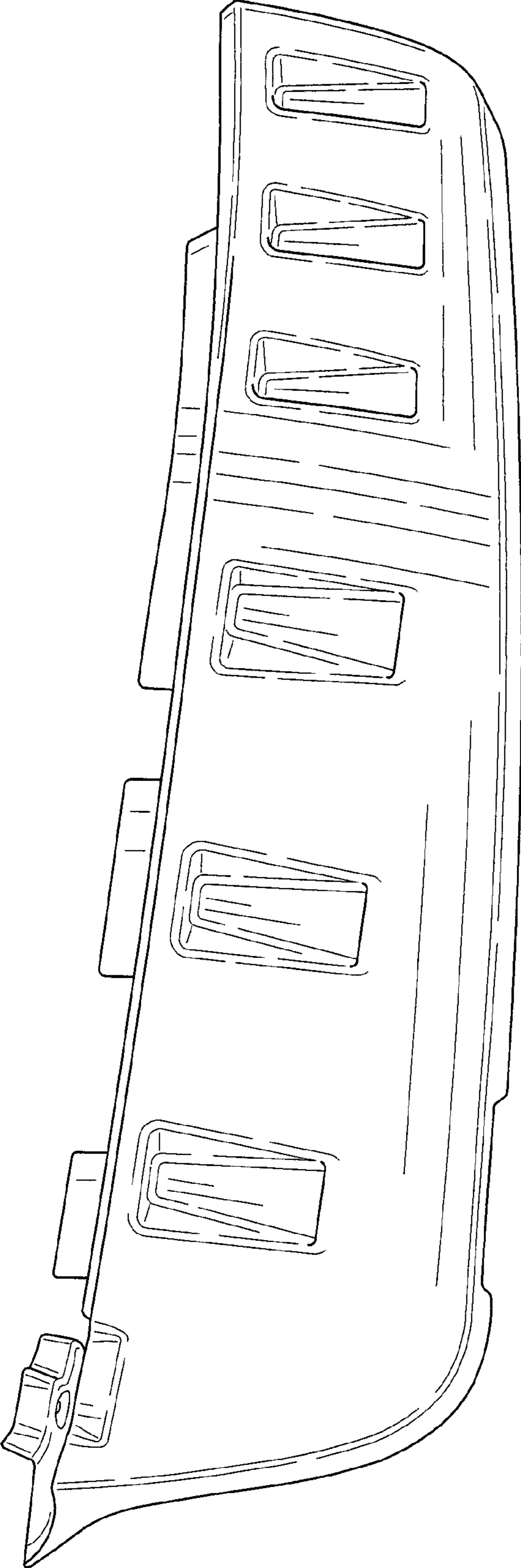


FIG. 7

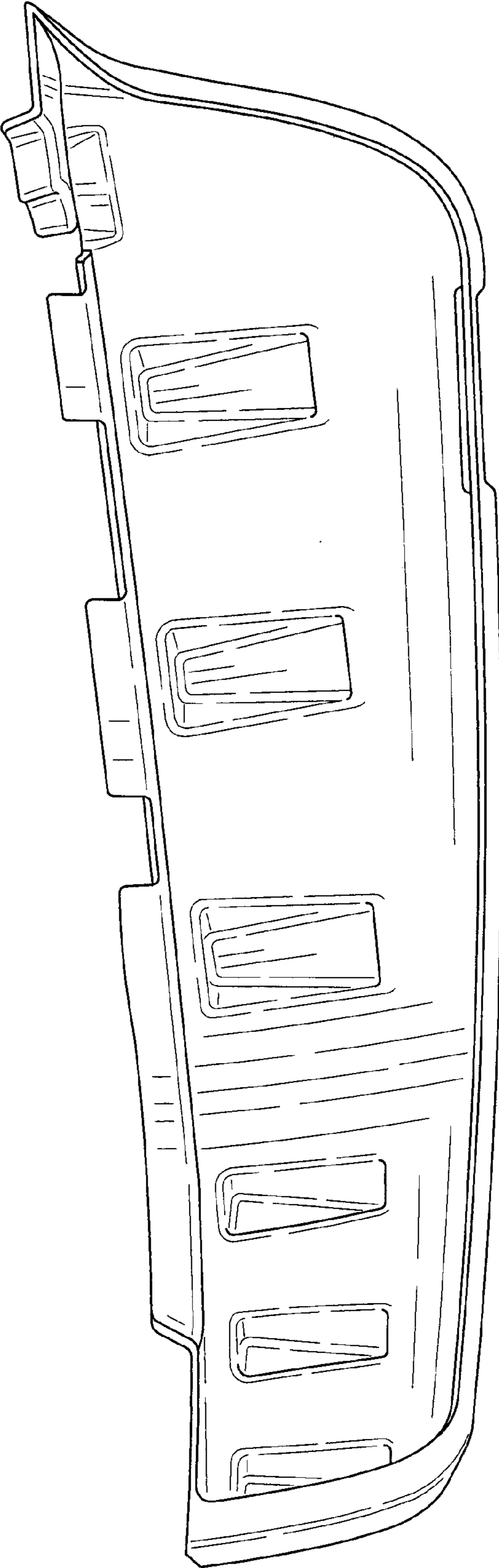


FIG. 8