



US00D712323S

(12) **United States Design Patent**  
**Mays et al.**

(10) **Patent No.:** **US D712,323 S**  
(45) **Date of Patent:** **\*\* Sep. 2, 2014**

(54) **VEHICLE HOOD**

(71) Applicant: **Ford Motor Company**, Dearborn, MI (US)

(72) Inventors: **J C. Mays**, Bloomfield Hills, MI (US);  
**Moray S. Callum**, Ann Arbor, MI (US);  
**Joel Piaskowski**, Brighton (AU);  
**Darrell Behmer**, Novi, MI (US); **Kemal Curic**, West Bloomfield, MI (US)

(73) Assignee: **Ford Motor Company**, Dearborn, MI (US)

(\*\*) Term: **14 Years**

(21) Appl. No.: **29/476,648**

(22) Filed: **Dec. 16, 2013**

**Related U.S. Application Data**

(63) Continuation of application No. 29/469,983, filed on Oct. 16, 2013.

(51) **LOC (10) Cl.** ..... **12-16**

(52) **U.S. Cl.**  
USPC ..... **D12/173**

(58) **Field of Classification Search**  
CPC .. B60R 21/34; B60R 2021/343; B62D 25/10;  
B62D 25/105; B62D 29/005; B62D 29/043  
USPC ..... D12/86, 90, 91, 92, 173, 196; 180/69.2,  
180/69.21, 69.22

See application file for complete search history.

(56) **References Cited**

**U.S. PATENT DOCUMENTS**

5,950,753 A \* 9/1999 Muldoon et al. .... 180/68.1  
D473,829 S \* 4/2003 Hoyle, Jr. .... D12/173  
7,232,178 B2 \* 6/2007 Neal et al. .... 296/187.04  
D572,639 S \* 7/2008 Hayashi et al. .... D12/173  
7,399,028 B1 \* 7/2008 Castillo et al. .... 296/193.11

D579,832 S \* 11/2008 Opfer et al. .... D12/173  
D580,323 S \* 11/2008 Gueler et al. .... D12/173  
D605,991 S \* 12/2009 Williams et al. .... D12/173

(Continued)

**FOREIGN PATENT DOCUMENTS**

EP 1228947 A2 \* 8/2002  
EP 2163460 A1 \* 3/2010  
JP 2010030327 A \* 2/2010

**OTHER PUBLICATIONS**

“14 Mustang. Ready, Set, Gone. Witness the burn.” May 19, 2013 [online], [retrieved on Apr. 11, 2014]. Retrieved from the Internet <URL: [http://www.auto-brochures.com/makes/Ford/Mustang/Ford\\_US%20Mustang\\_2014.pdf](http://www.auto-brochures.com/makes/Ford/Mustang/Ford_US%20Mustang_2014.pdf)>.\*

Rall, Patrick. “Similarities Across the 2015 Ford Mustang Lineup Could Equal Big Sales GainS.” TorqueNews. Dec. 31, 2013 [online], [retrieved on Apr. 11, 2014]. Retrieved from the Internet <URL: <http://www.torquenews.com/106/similarities-across-2015-ford-mustang-lineup-could-equal-big-sales-gains>>.\*

*Primary Examiner* — Philip S Hyder

*Assistant Examiner* — Darlington Ly

(74) *Attorney, Agent, or Firm* — Damian Porcari

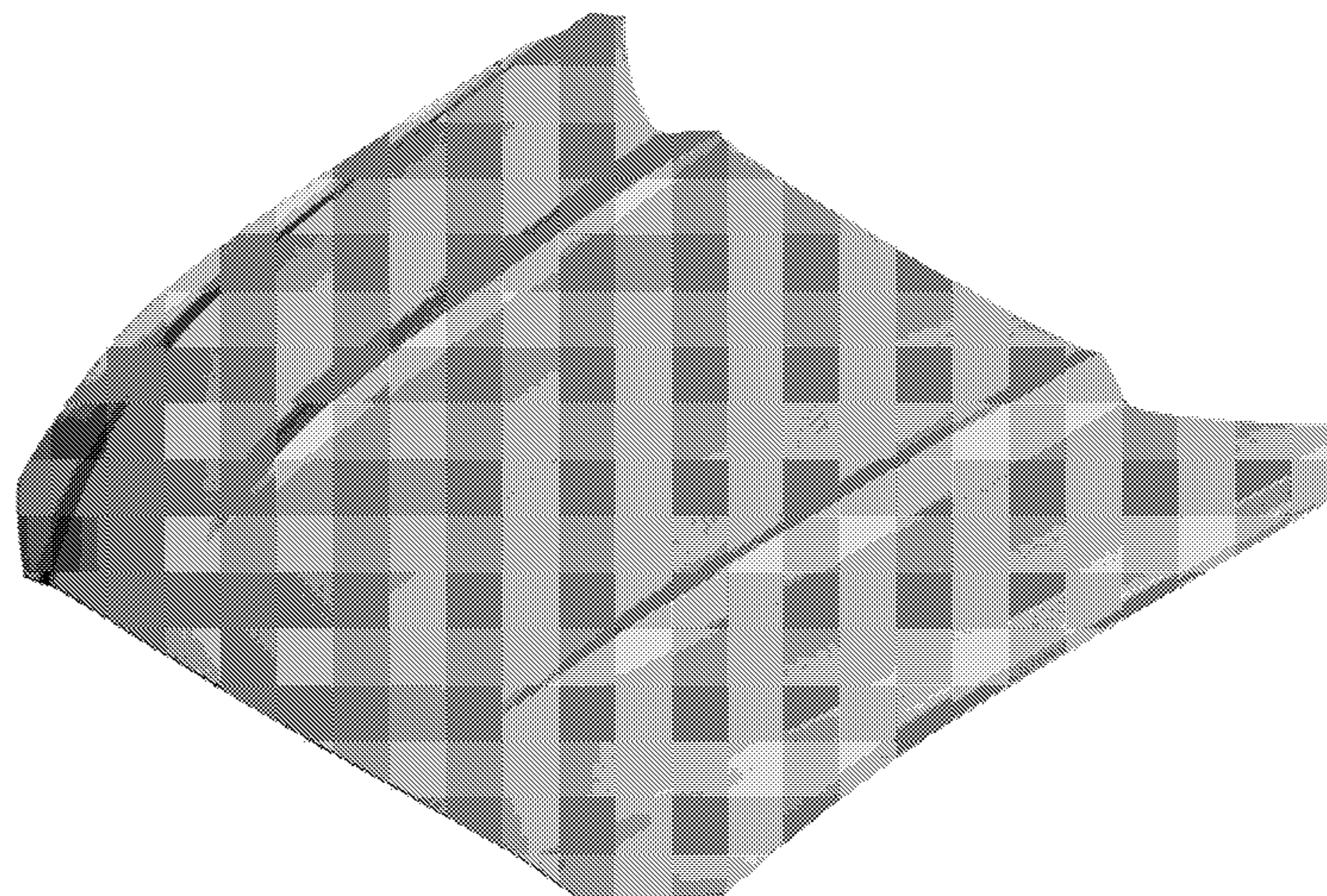
(57) **CLAIM**

The ornamental design for a vehicle hood, as shown and described.

**DESCRIPTION**

FIG. 1 is a top plan view of a vehicle hood;  
FIG. 2 is a bottom plan view thereof;  
FIG. 3 is front elevational view thereof;  
FIG. 4 is a left side elevational view thereof;  
FIG. 5 is a right side elevational view thereof;  
FIG. 6 is a top, front, and left-side perspective view thereof;  
and,  
FIG. 7 is a top, front, and right-side perspective view thereof.

**1 Claim, 7 Drawing Sheets**



# US D712,323 S

Page 2

---

(56)

## References Cited

### U.S. PATENT DOCUMENTS

D628,946 S	*	12/2010	Cogswell	.....	D12/173	
D640,959 S	*	7/2011	Furst	.....	D12/173	* cited by examiner
D641,669 S	*	7/2011	Vardis	.....	D12/173	
2006/0201727 A1	*	9/2006	Chan	.....	180/69.25	
2012/0285759 A1	*	11/2012	Ikeda et al.	.....	180/69.2	

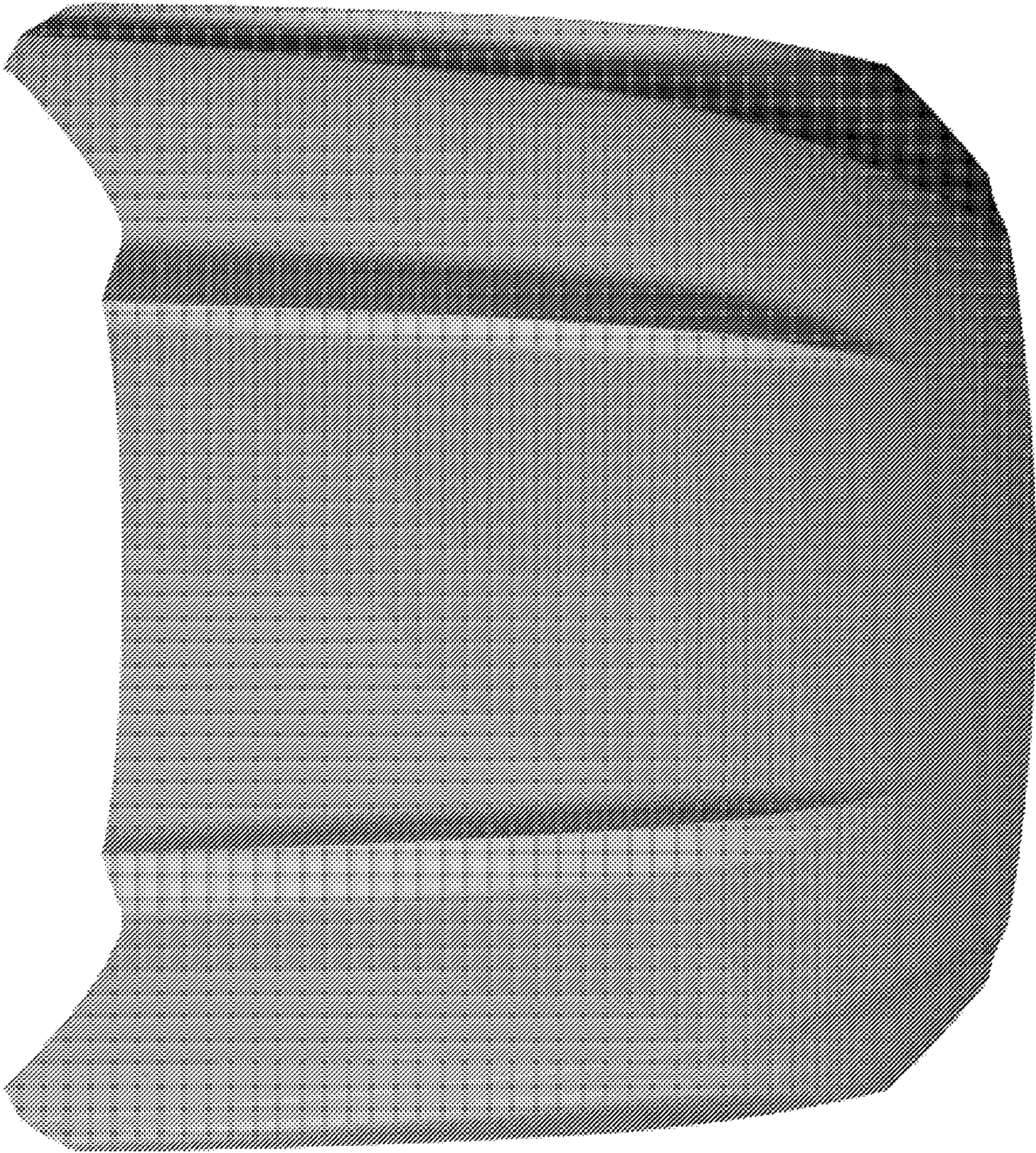
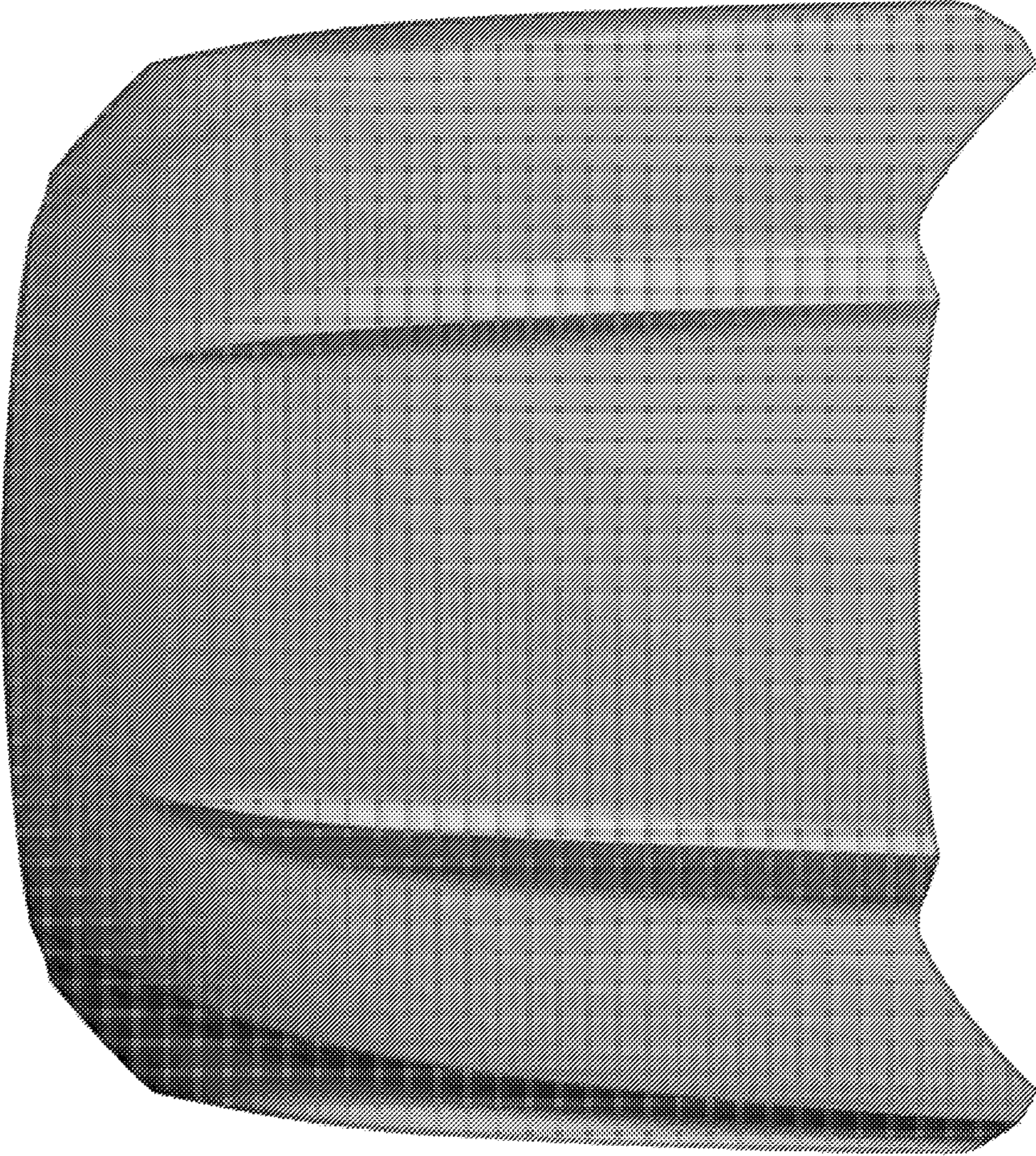


Figure 1

Figure 2



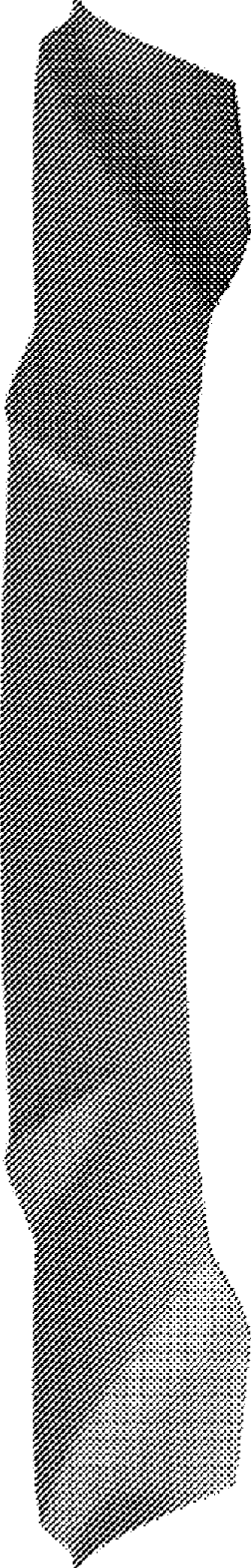
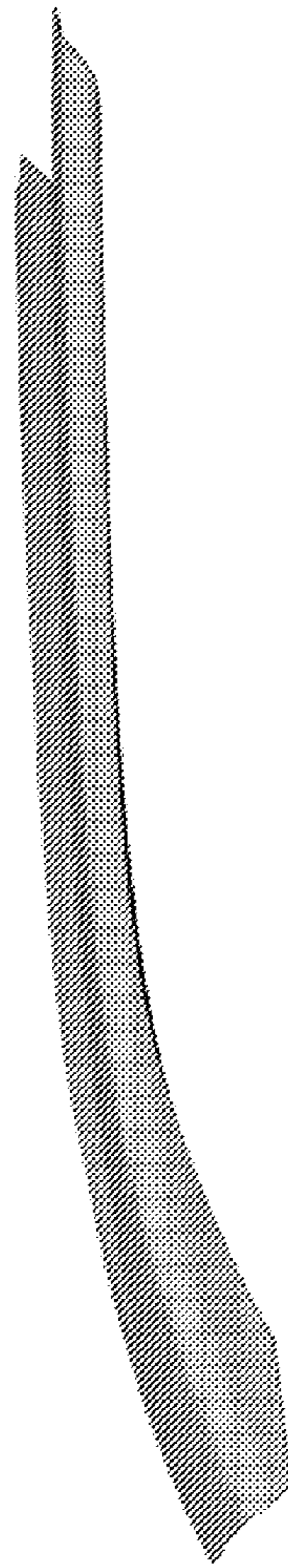
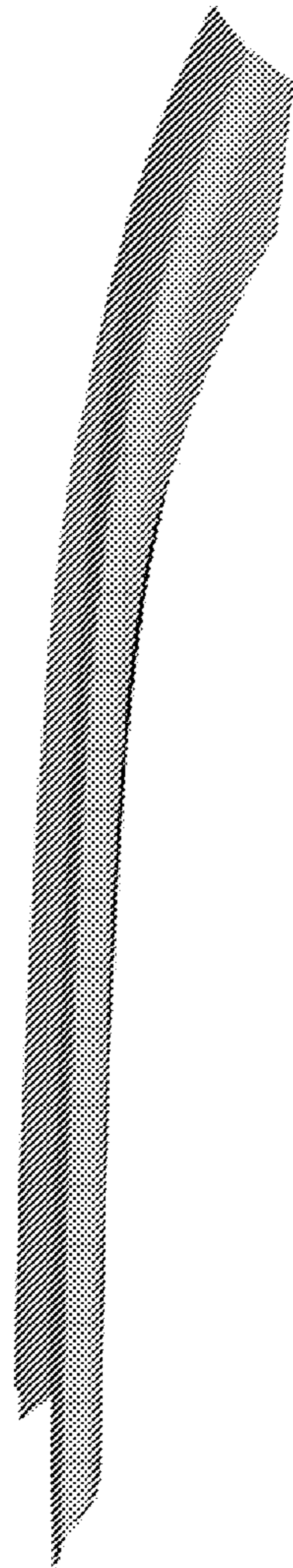


Figure 3



*Figure 4*



*Figure 5*

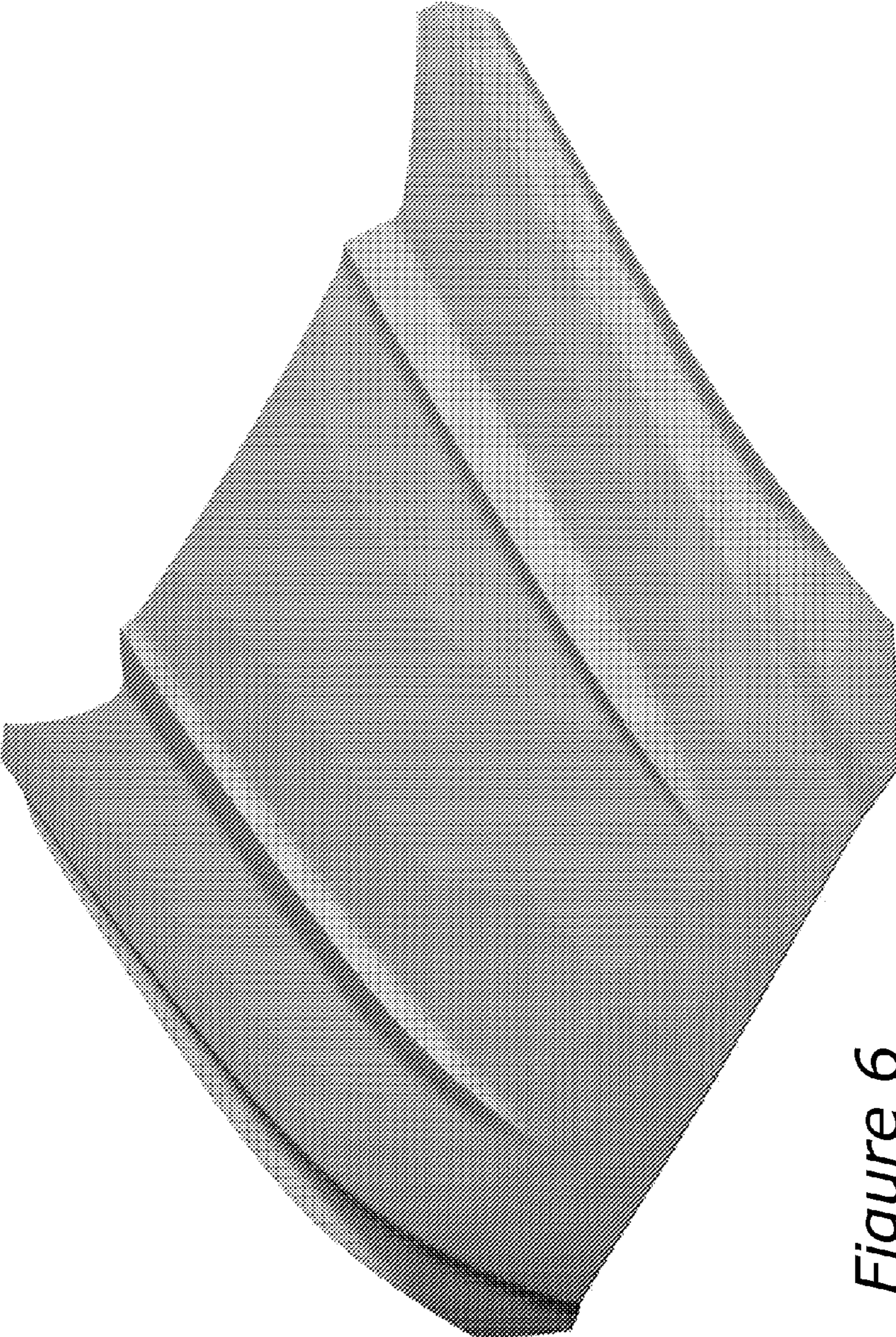


Figure 6



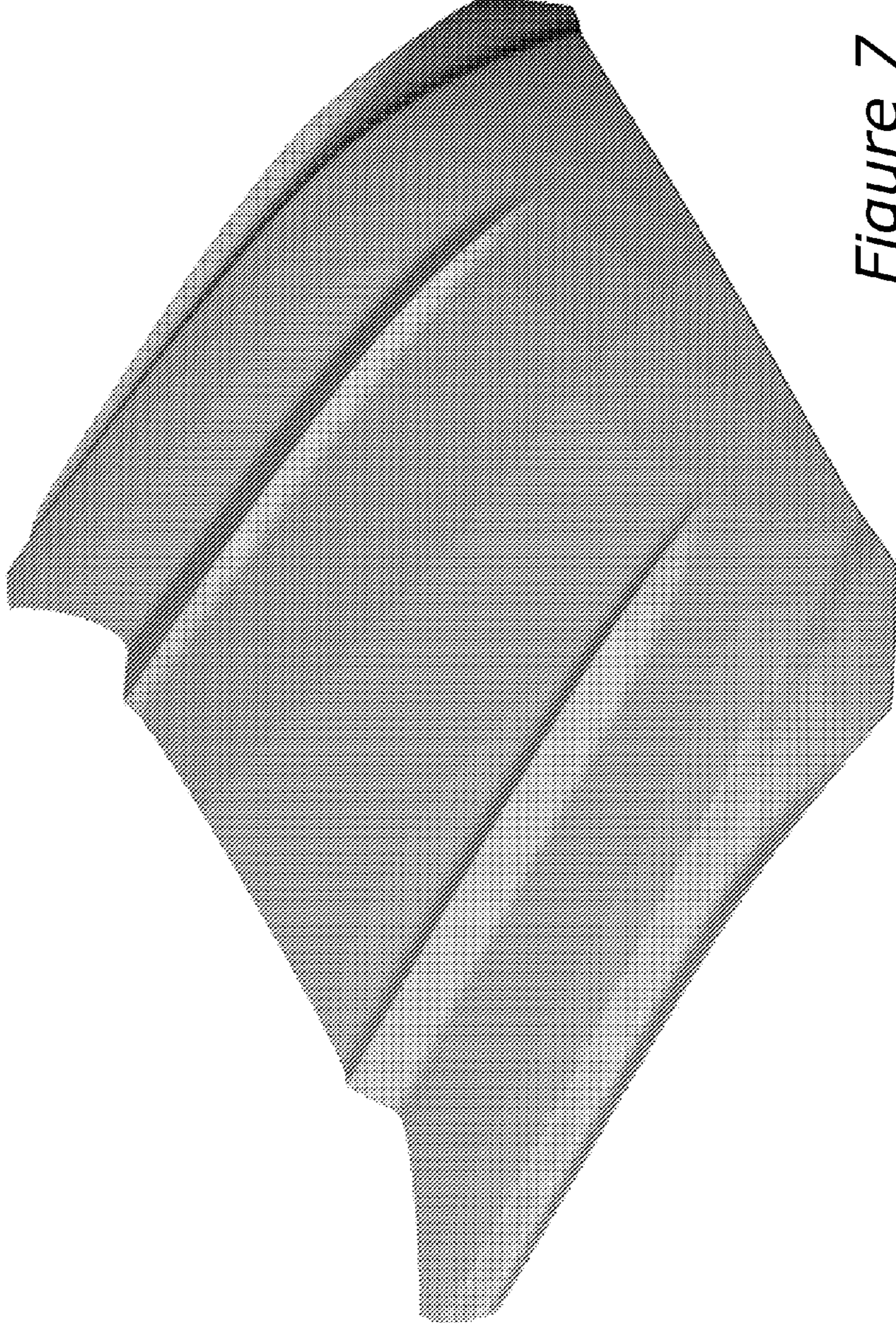


Figure 7