



US00D712320S

(12) **United States Design Patent**
Mays et al.

(10) **Patent No.:** **US D712,320 S**
(45) **Date of Patent:** **** Sep. 2, 2014**

(54) **VEHICLE FRONT UPPER GRILLE**

D586,267 S * 2/2009 Ebel et al. D12/163
D592,564 S * 5/2009 Kusamoto et al. D12/163
D602,820 S * 10/2009 Yukawa et al. D12/163

(71) Applicant: **Ford Motor Company**, Dearborn, MI (US)

(Continued)

(72) Inventors: **J C. Mays**, Bloomfield Hills, MI (US);
Moray S. Callum, Ann Arbor, MI (US);
Joel Piaskowski, Brighton (AU);
Darrell Behmer, Novi, MI (US); **Kemal Curic**, West Bloomfield, MI (US)

FOREIGN PATENT DOCUMENTS

JP 2012126270 A * 7/2012 B60R 19/52
JP 2013166502 A * 8/2013 B60R 19/52
WO WO 2007090572 A1 * 8/2007 B60R 19/52

(73) Assignee: **Ford Motor Company**, Dearborn, MI (US)

OTHER PUBLICATIONS

Lamas, Jonathan. "2008 Convertible Mustang Grille." Oct. 24, 2008 [online], [retrieved on Apr. 11, 2014]. Retrieved from the Internet <URL: <http://mustangs.about.com/od/2008mustang/ig/2008-Mustang-Convertible/2008-Mustang-Grille.htm>>.*

(**) Term: **14 Years**

"14 Mustang. Ready, Set, Gone. Witness the burn." May 19, 2013 [online], [retrieved on Apr. 11, 2014]. Retrieved from the Internet <URL: http://www.auto-brochures.com/makes/Ford/Mustang/Ford_US%20Mustang_2014.pdf>.*

(21) Appl. No.: **29/476,638**

(22) Filed: **Dec. 16, 2013**

(Continued)

Related U.S. Application Data

(63) Continuation of application No. 29/469,983, filed on Oct. 16, 2013.

Primary Examiner — Philip S Hyder

(51) **LOC (10) Cl.** **12-16**

Assistant Examiner — Darlington Ly

(52) **U.S. Cl.**

(74) *Attorney, Agent, or Firm* — Damian Porcari

USPC **D12/163**; D12/171

(58) **Field of Classification Search**

CPC B60R 19/52; B60R 2019/525; B60K 11/085; B62D 25/084; H01Q 1/32

(57) **CLAIM**

The ornamental design for a vehicle front upper grille, as shown and described.

USPC D12/86, 90, 91, 92, 163, 169, 196, 171, D12/216; 180/68.1, 68.6; 296/193.11

See application file for complete search history.

DESCRIPTION

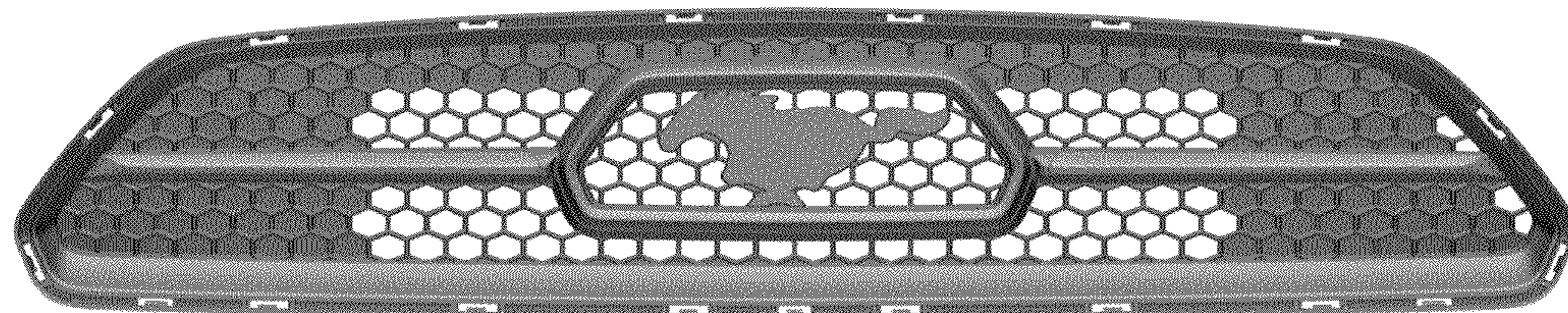
FIG. 1 is a top plan view of a vehicle front upper grille; FIG. 2 is a bottom plan view thereof; FIG. 3 is a front elevational view thereof; FIG. 4 is a left side elevational view thereof; FIG. 5 is a right side elevational view thereof; FIG. 6 is a bottom, front, and left-side perspective view thereof; and, FIG. 7 is a bottom, front, and right-side perspective view thereof.

(56) **References Cited**

U.S. PATENT DOCUMENTS

6,328,358 B1 * 12/2001 Berweiler 293/115
D560,572 S * 1/2008 Okamoto et al. D12/163
D573,924 S * 7/2008 Tachibana D12/163
D584,196 S * 1/2009 Ebel et al. D12/163
D584,197 S * 1/2009 Song et al. D12/163
D584,198 S * 1/2009 Tamura D12/163

1 Claim, 7 Drawing Sheets



(56)

References Cited

U.S. PATENT DOCUMENTS

D665,313 S * 8/2012 Asakura D12/163
D668,590 S * 10/2012 Furst et al. D12/163
D670,620 S * 11/2012 Frei et al. D12/163
2013/0119709 A1 * 5/2013 Guenther et al. 296/193.1

OTHER PUBLICATIONS

Kelsey, Mays. "2014 Ford Mustang." Oct. 15, 2013 [online],
[retrieved on Apr. 11, 2014]. Retrieved from the Internet <URL:
<http://www.cars.com/ford/mustang/2014/expert-reviews>>.*

* cited by examiner

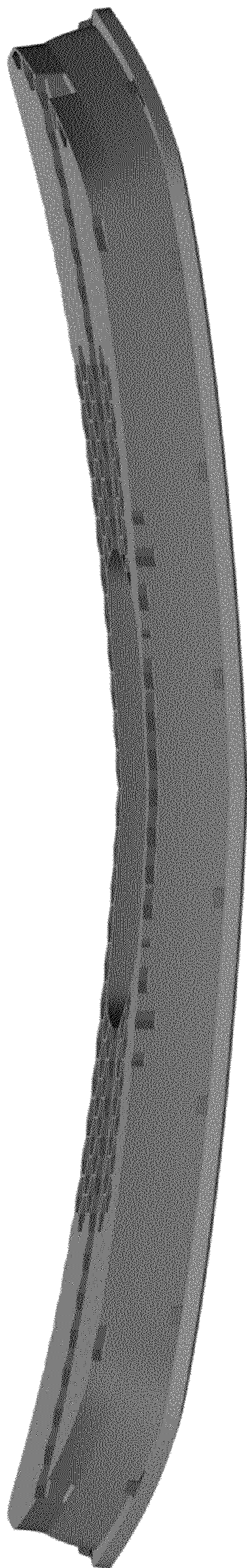


Figure 1

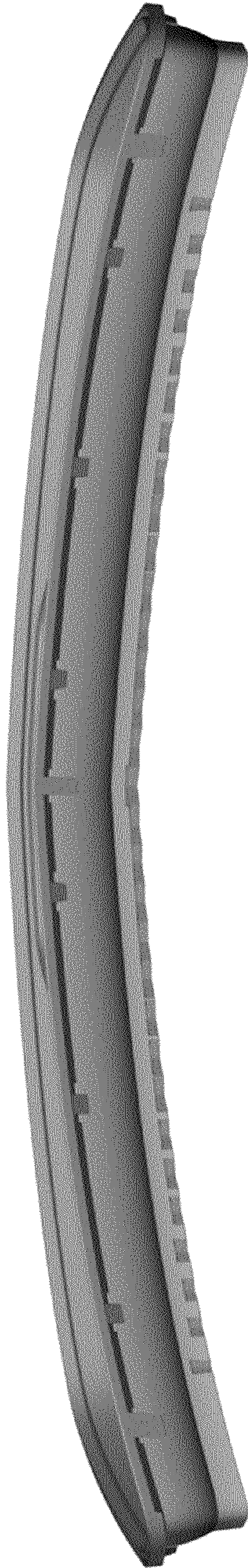


Figure 2

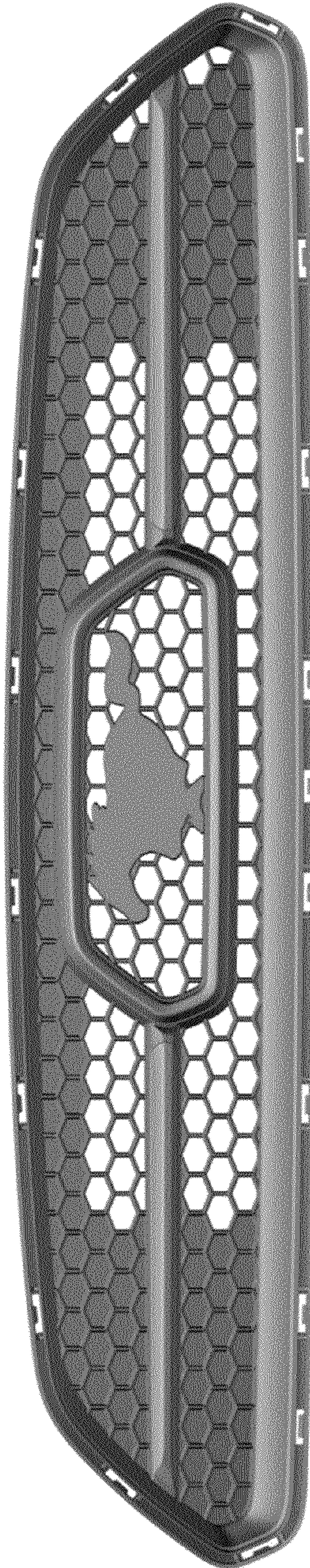


Figure 3

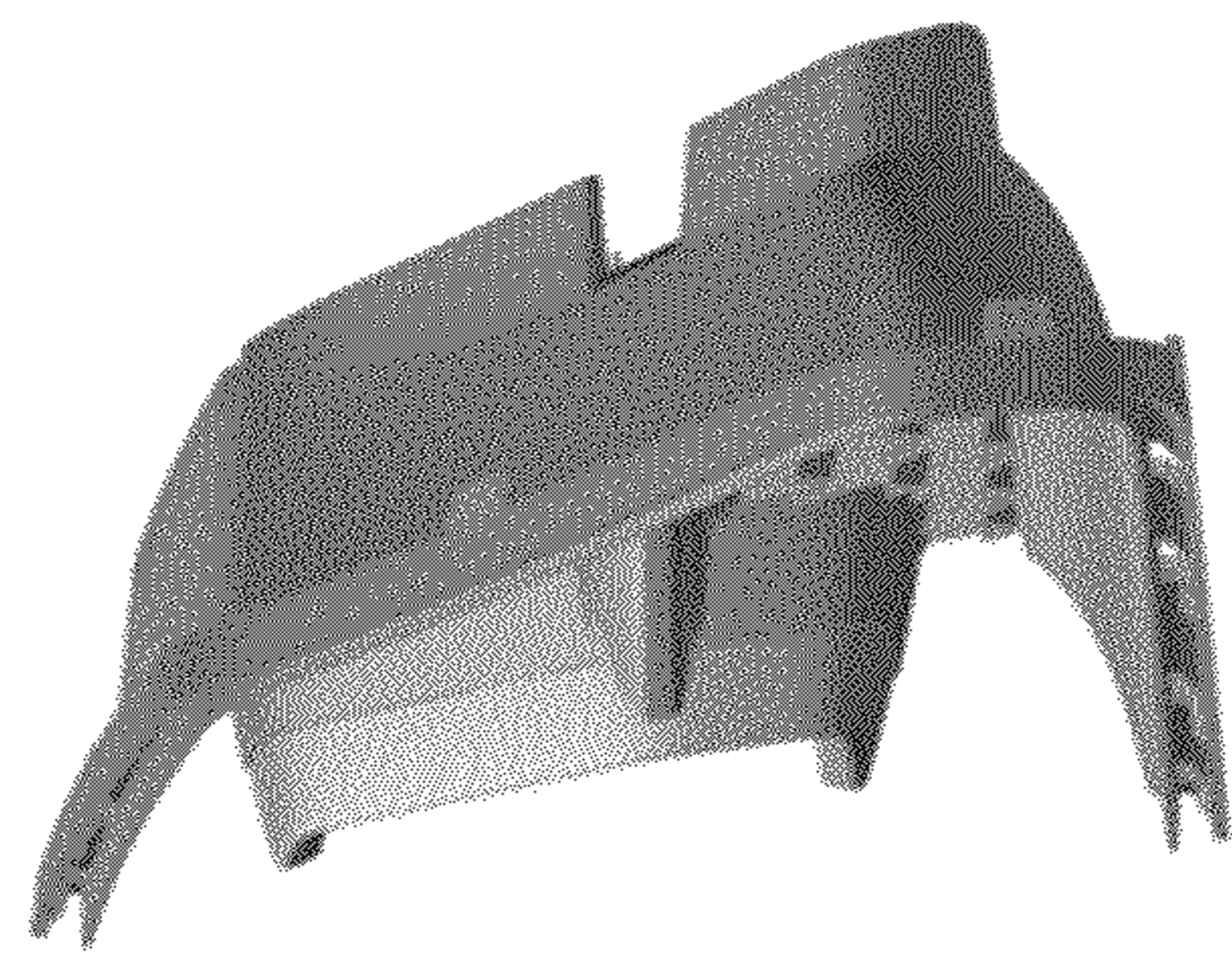


Figure 4

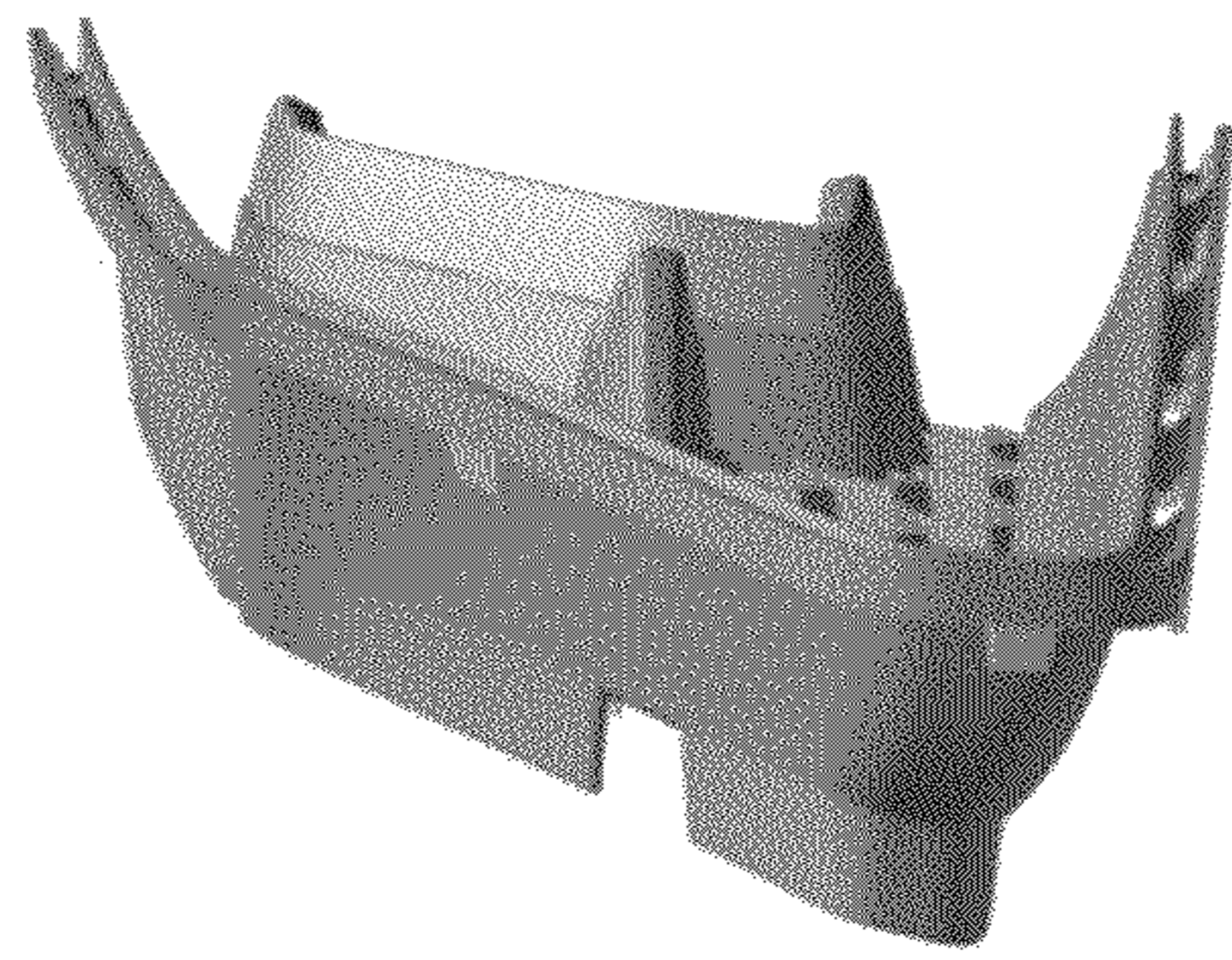


Figure 5

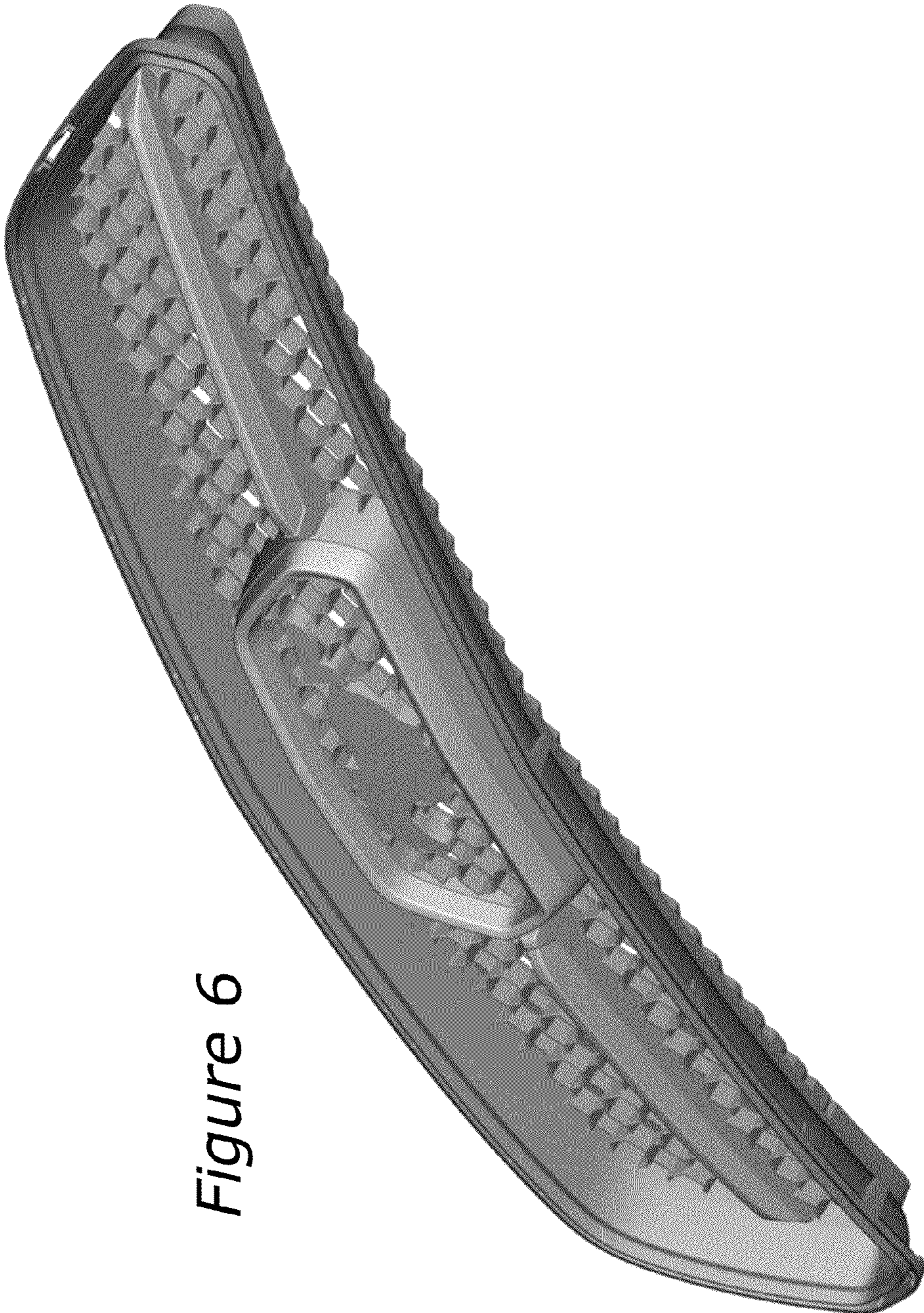


Figure 6

Figure 7

