



US00D712317S

(12) **United States Design Patent**
George et al.

(10) **Patent No.:** **US D712,317 S**
(45) **Date of Patent:** **** Sep. 2, 2014**

(54) **VEHICLE FRONT UPPER GRILLE**

D678,140 S * 3/2013 Hamilton et al. D12/169
D680,920 S * 4/2013 Jara D12/163
D698,705 S * 2/2014 Rugar D12/163

(71) Applicant: **Ford Motor Company**, Dearborn, MI (US)

FOREIGN PATENT DOCUMENTS

(72) Inventors: **Kevin George**, Canton, MI (US);
George Bucher, Dearborn, MI (US);
Steven Gilmore, Redford, MI (US);
Shawn Wehrly, Royal Oak, MI (US)

JP 2012126270 A * 7/2012
JP 2013166502 A * 8/2013
WO WO 2007090572 A1 * 8/2007

(73) Assignee: **Ford Motor Company**, Dearborn, MI (US)

OTHER PUBLICATIONS

(**) Term: **14 Years**

“2014 Ford Taurus—Review.” Motor Authority., Jan. 3, 2014 [online], [retrieved on Apr. 12, 2014]. Retrieved from the Internet <URL: http://www.motorauthority.com/photos/fordtaurus_2014>.*

(21) Appl. No.: **29/476,029**

“14taurus+sho.” Ford Electronic Brochure., Sep. 25, 2013 [online], [retrieved on Apr. 12, 2014]. Retrieved from the Internet <URL: http://www.auto-brochures.com/makes/Ford/Taurus/Ford_US%20Taurus_2014.pdf>.*

(22) Filed: **Dec. 10, 2013**

* cited by examiner

(51) **LOC (10) Cl.** **12-16**

(52) **U.S. Cl.**

USPC **D12/163**; D12/171

(58) **Field of Classification Search**

CPC B60R 19/52; B60R 2019/525; B60K 11/085;
B62D 25/084; H01Q 1/32

USPC D12/86, 90, 91, 92, 163, 169, 196, 171,
D12/216; 180/68.1, 68.6; 296/193.11

See application file for complete search history.

Primary Examiner — Philip S. Hyder

Assistant Examiner — Darlington Ly

(74) *Attorney, Agent, or Firm* — Damian Porcari

(57) **CLAIM**

The ornamental design for a vehicle front upper grille, as shown and described.

DESCRIPTION

FIG. 1 is a top, front, and left-side perspective view of a vehicle front upper grille;

FIG. 2 is a top, front, and right-side perspective view thereof;

FIG. 3 is front elevational view thereof;

FIG. 4 is rear elevational view thereof;

FIG. 5 is a left side elevational view thereof;

FIG. 6 is a right side elevational view thereof;

FIG. 7 is a top plan view thereof; and,

FIG. 8 is bottom plan view thereof.

1 Claim, 8 Drawing Sheets

(56) **References Cited**

U.S. PATENT DOCUMENTS

6,328,358 B1 * 12/2001 Berweiler 293/115
7,152,915 B2 * 12/2006 Diehl et al. 296/193.1
D538,716 S * 3/2007 Hogios D12/163
D598,335 S * 8/2009 George et al. D12/163
D603,305 S * 11/2009 Woolley et al. D12/163
D604,210 S * 11/2009 Kim D12/163
D630,975 S * 1/2011 Sperling et al. D12/163
D631,405 S * 1/2011 Kuze D12/163
8,157,303 B2 * 4/2012 Fortin 293/115
D664,480 S * 7/2012 Platto et al. D12/163

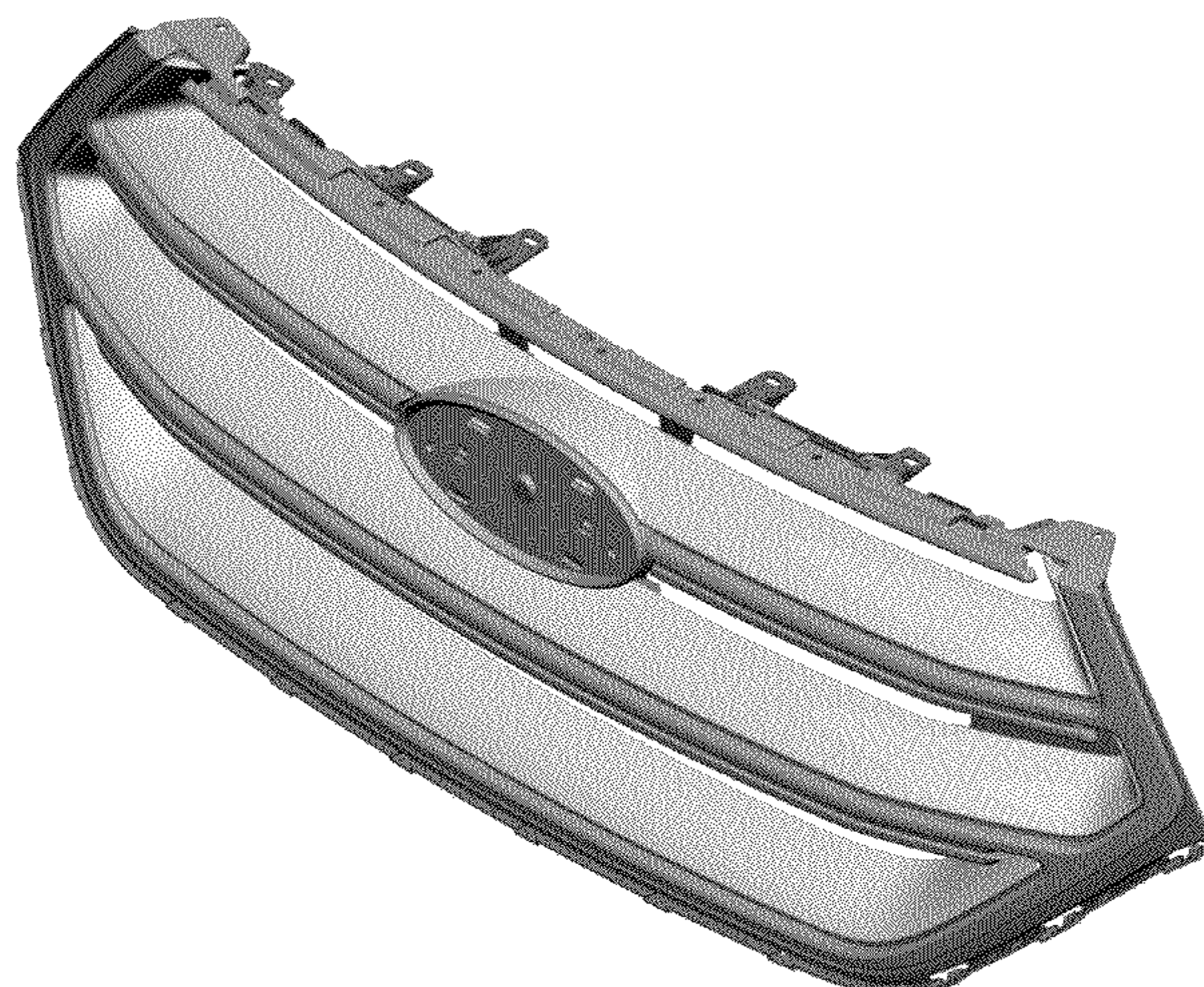




Figure 1



Figure 2

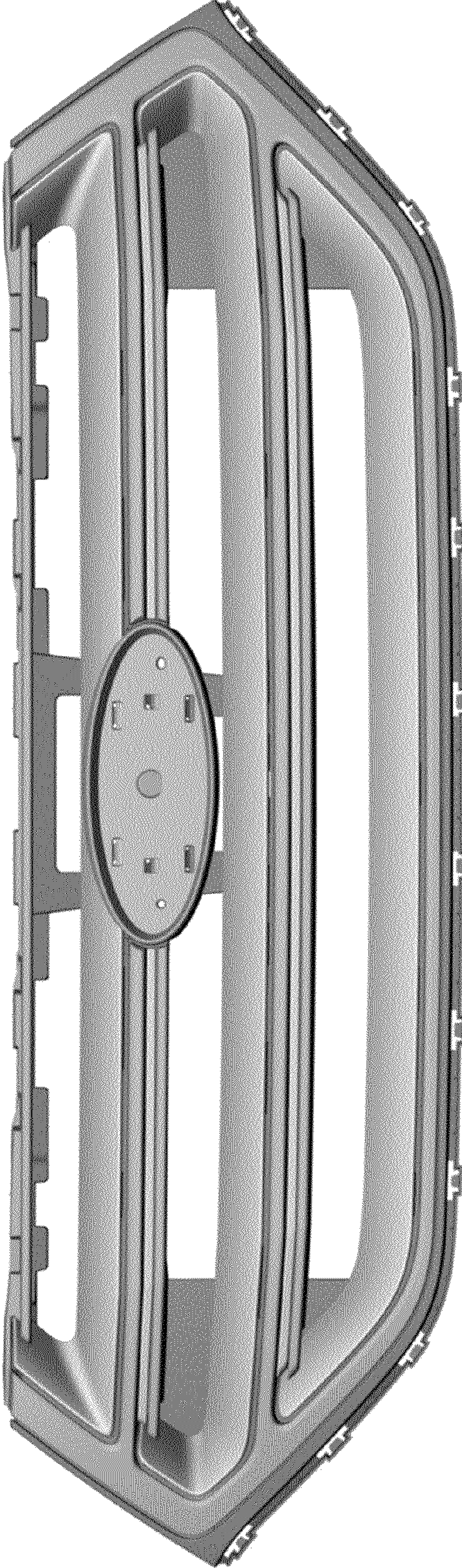


Figure 3

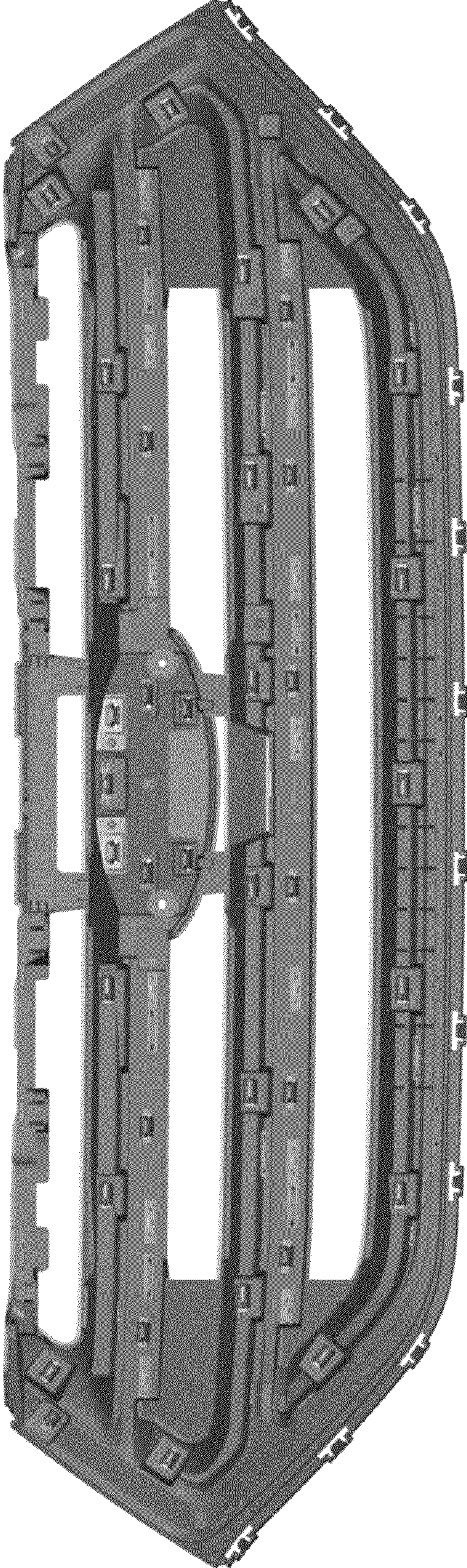


Figure 4

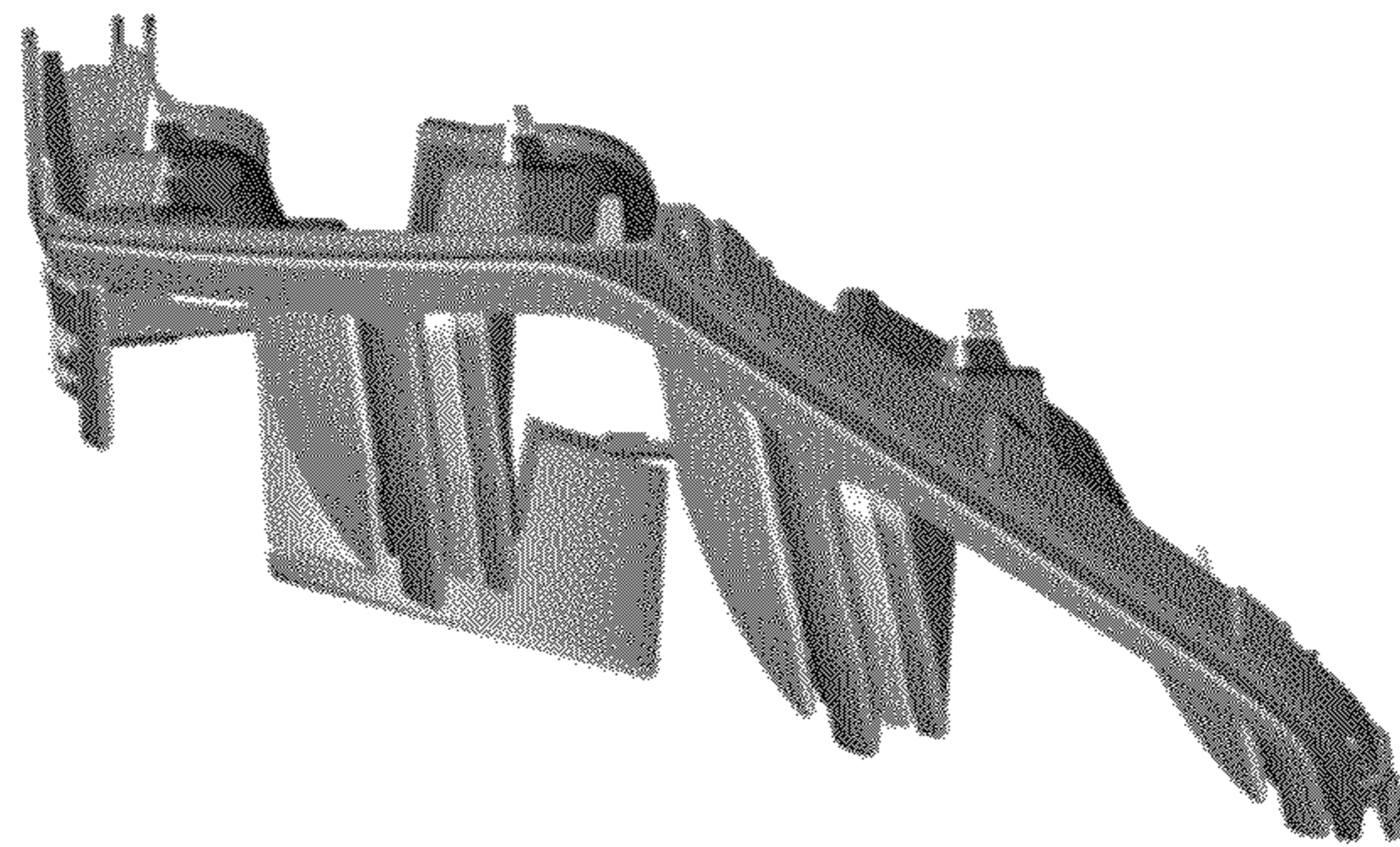


Figure 5

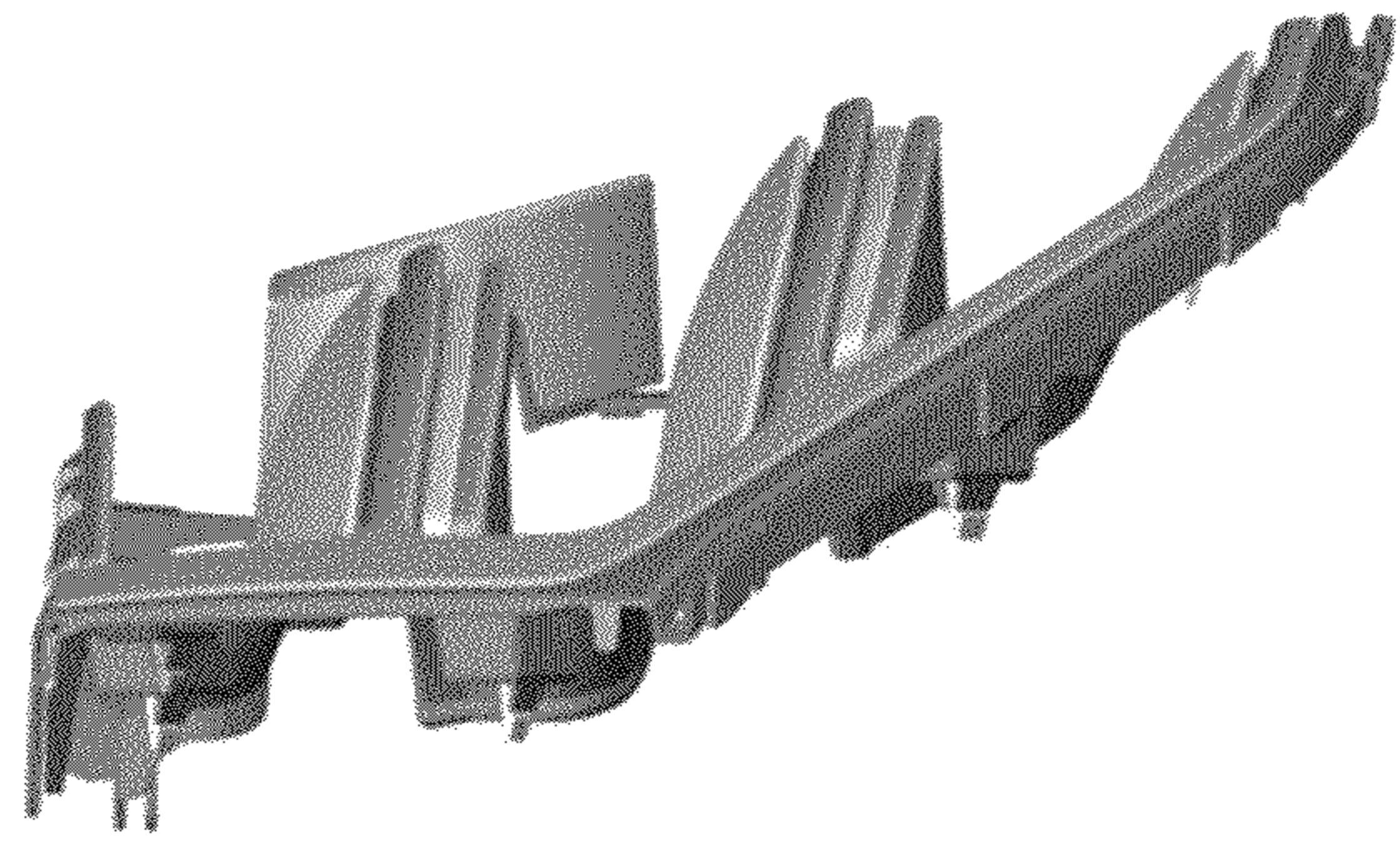


Figure 6

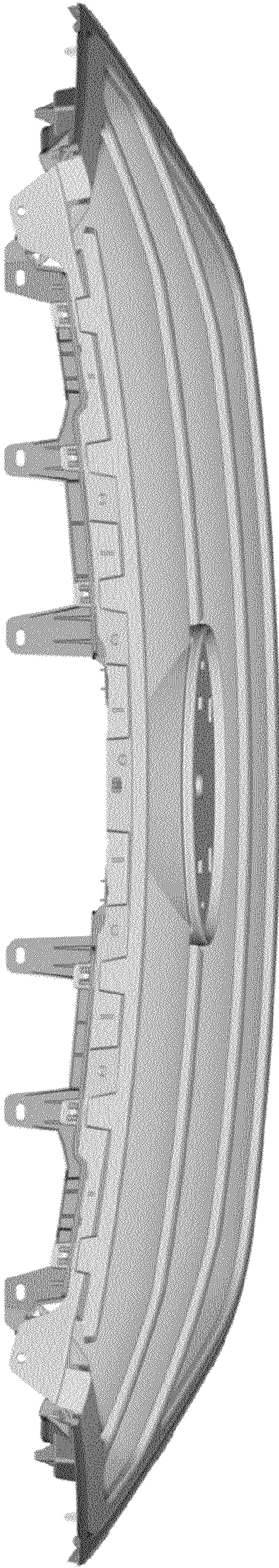


Figure 7

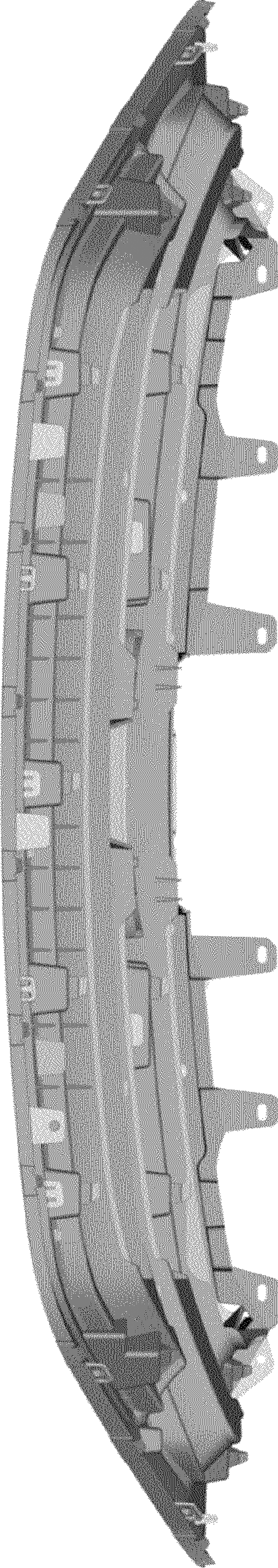


Figure 8