



US00D712315S

(12) **United States Design Patent**
Wagner

(10) **Patent No.:** **US D712,315 S**
(45) **Date of Patent:** **** Sep. 2, 2014**

(54) **TRAILER HITCH MOUNTED FLAG POLE HOLDER**
(75) Inventor: **Thomas E. Wagner**, St. Louis, MO (US)
(73) Assignee: **Wagner Products**, Fenton, MO (US)
(**) Term: **14 Years**
(21) Appl. No.: **29/395,686**
(22) Filed: **Mar. 13, 2012**
(51) **LOC (10) Cl.** **12-16**
(52) **U.S. Cl.**
USPC **D12/162**
(58) **Field of Classification Search**
USPC D12/162, 159, 160, 161; 56/DIG. 14;
37/399; 280/406.2, 407, 407.1, 408,
280/411.1, 416.1, 416.2, 416.3, 418, 418.1,
280/433, 434, 435, 441.1, 441.2, 455.1,
280/456.1, 480, 493, 504, 507, 508;
224/42.11, 42.12, 42.14, 42.26, 400,
224/401, 412, 413, 488, 494, 500-501, 519,
224/537; 135/88.05; 150/166
See application file for complete search history.

(56) **References Cited**
U.S. PATENT DOCUMENTS
4,095,788 A 6/1978 Benenson
5,524,857 A 6/1996 Eisenberg et al.
5,586,517 A * 12/1996 Willis et al. 116/173

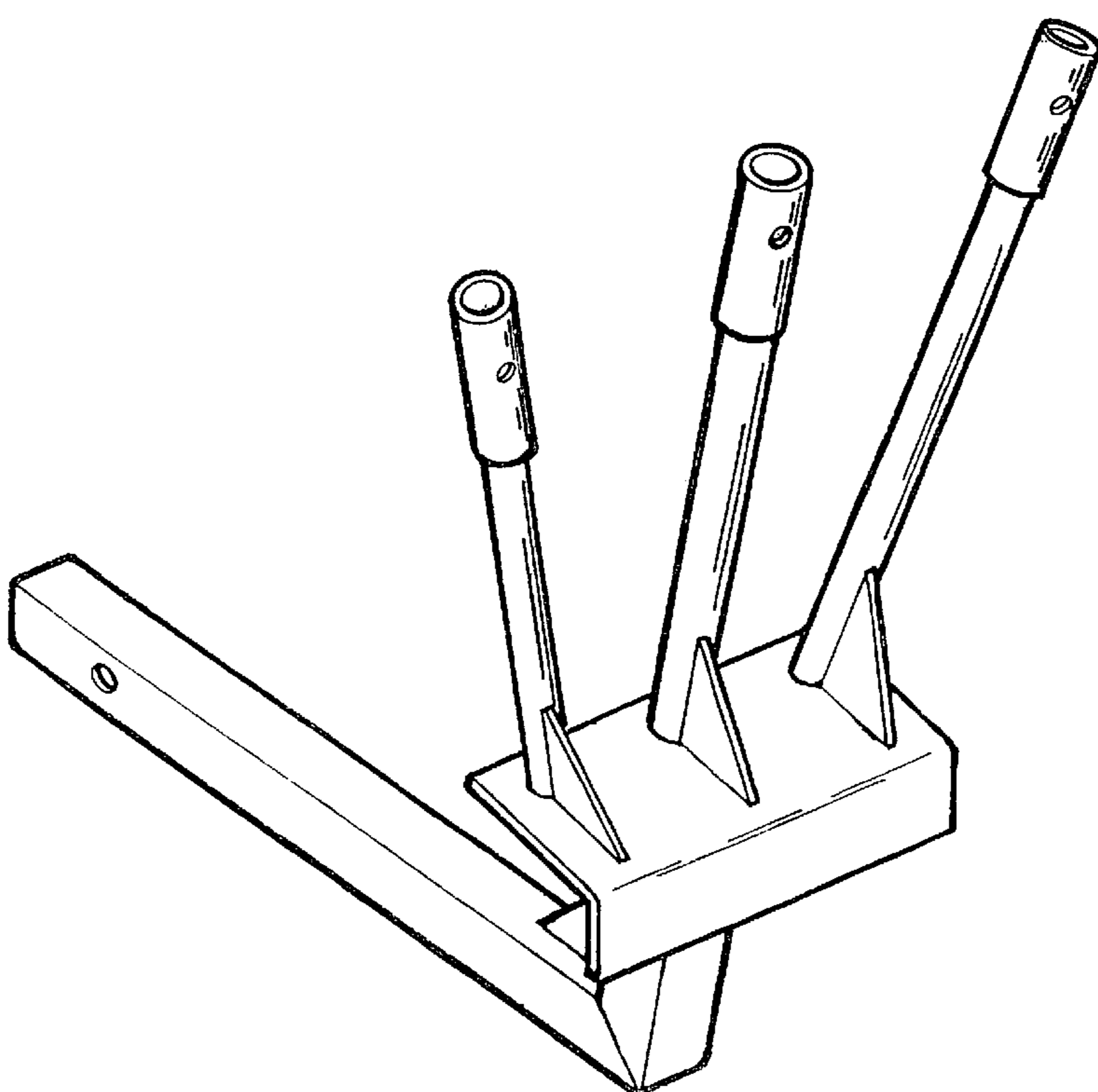
6,289,839 B1 * 9/2001 Flores 116/173
6,668,750 B1 12/2003 Walz et al.
D488,092 S 4/2004 Bruckler
6,811,132 B1 11/2004 Ferdinand et al.
D499,666 S * 12/2004 Ciaccia D11/181
6,857,386 B2 2/2005 Brewer
D522,915 S 6/2006 Bruckler
D529,839 S 10/2006 Howald
D530,239 S 10/2006 Morford
7,426,899 B1 * 9/2008 Heva 116/173
7,735,875 B2 6/2010 Jimenez
8,069,811 B2 * 12/2011 Ciaccia 116/173
2007/0246626 A1 * 10/2007 Reynolds 248/281.11
2008/0098951 A1 * 5/2008 Sullivan 116/173

* cited by examiner
Primary Examiner — Katrina A Betton
(74) *Attorney, Agent, or Firm* — Paul M. Denk

(57) **CLAIM**
The ornamental design for the trailer hitch mounted flag pole holder, as shown and described.

DESCRIPTION
FIG. 1 is a perspective view of the trailer hitch mounted flag pole holder of this invention;
FIG. 2 is a back view;
FIG. 3 is a front view;
FIG. 4 is a top plan view;
FIG. 5 is a bottom view;
FIG. 6 is a left side view; and,
FIG. 7 is a right side view.

1 Claim, 4 Drawing Sheets



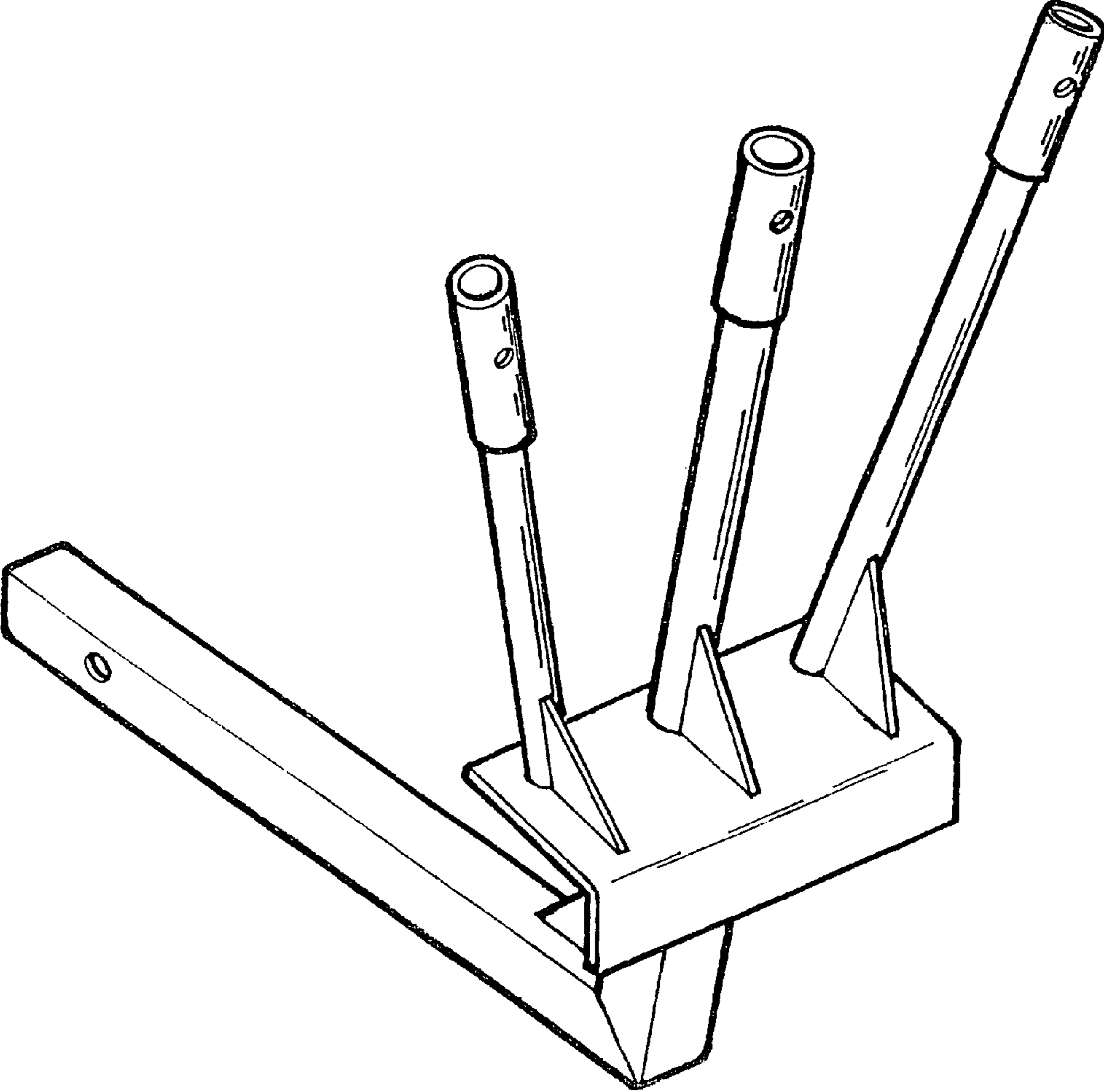


FIG. 1

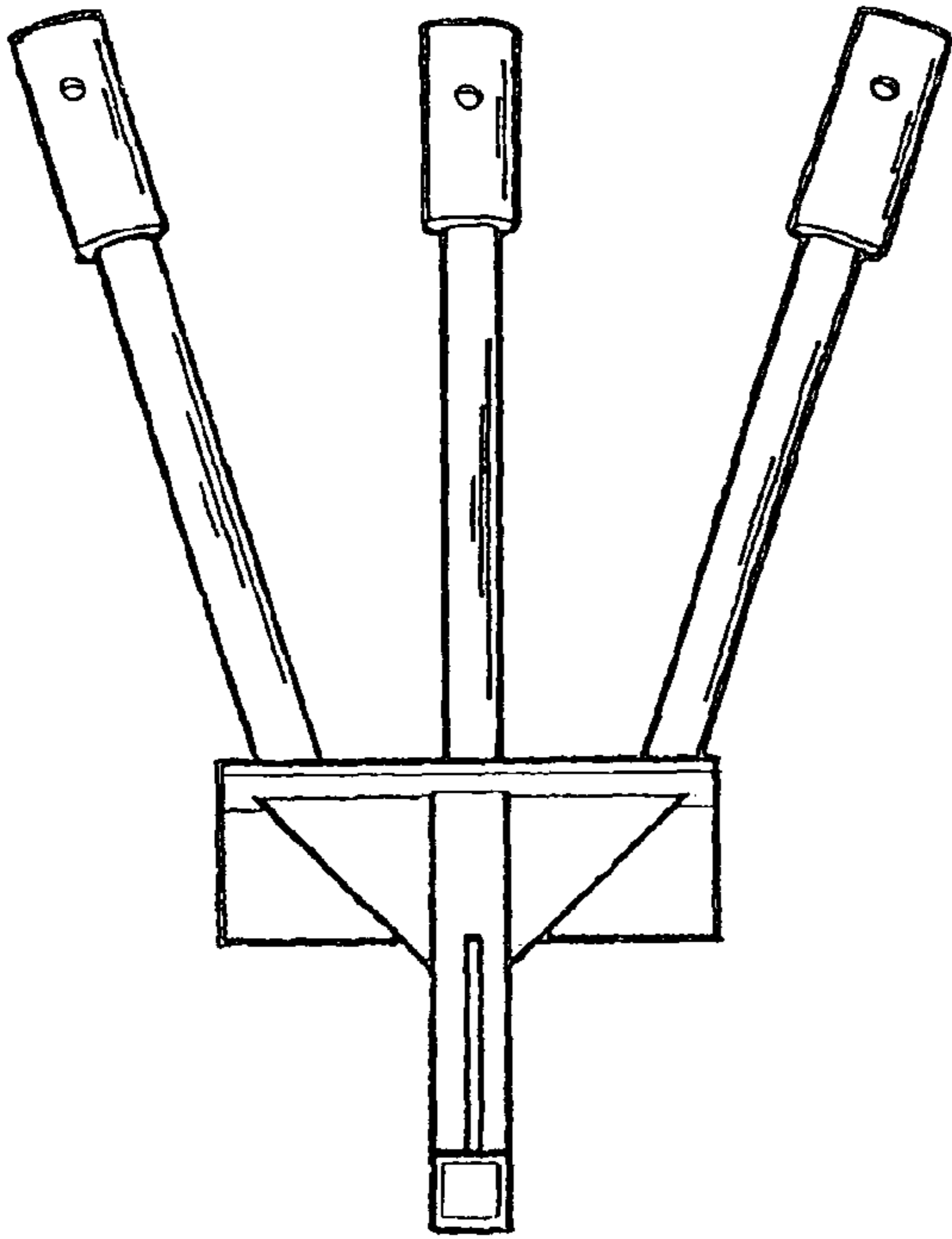


FIG. 2

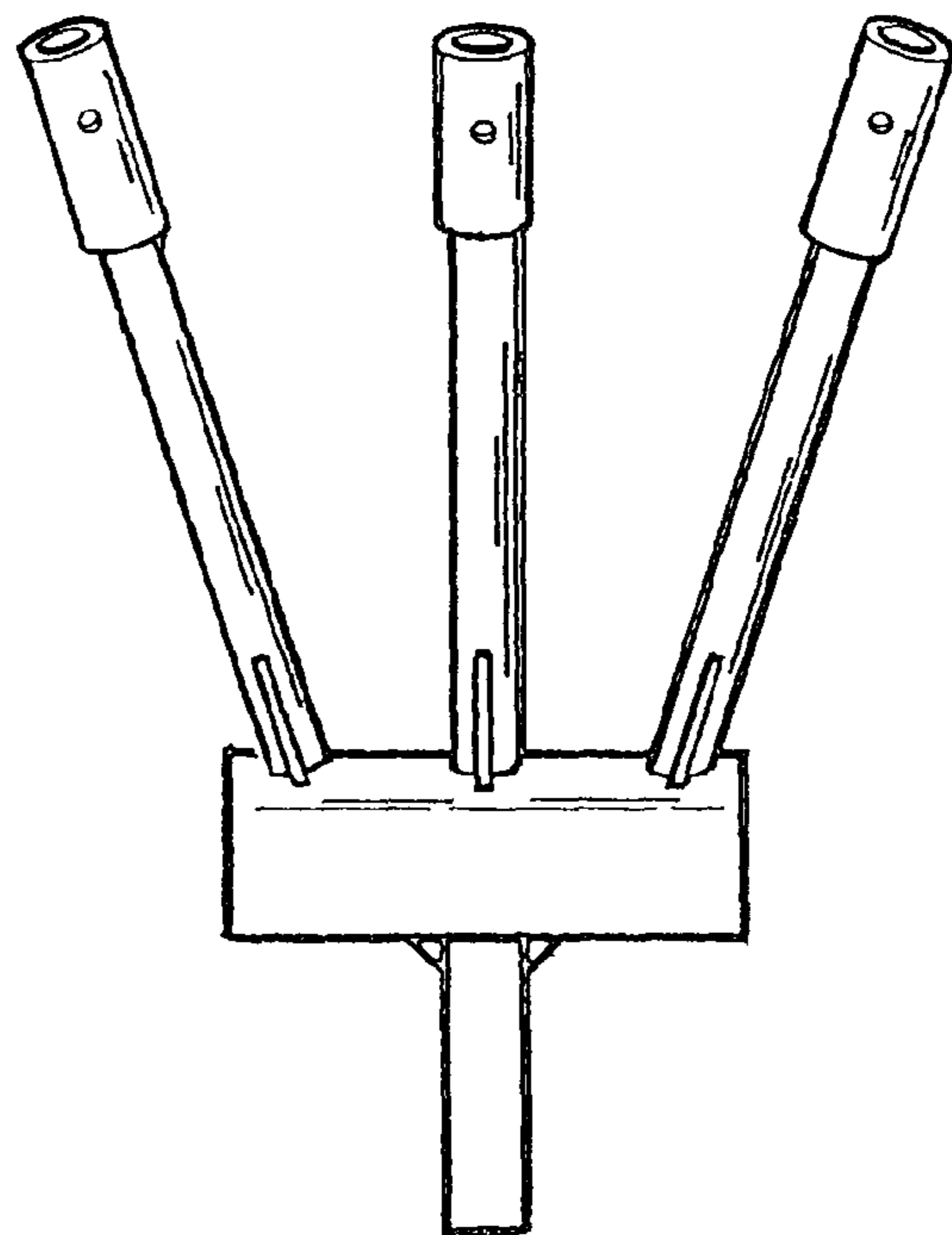
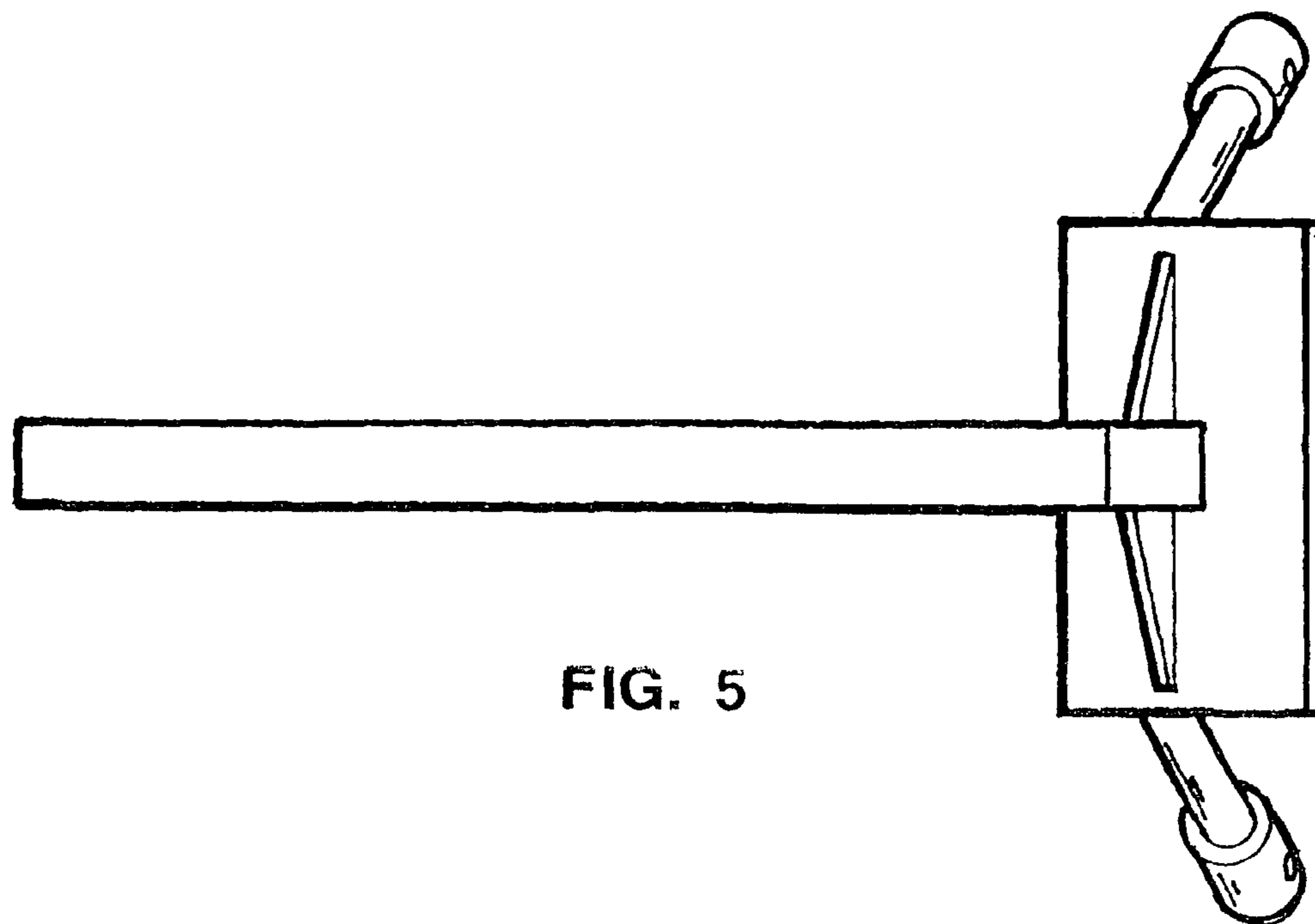
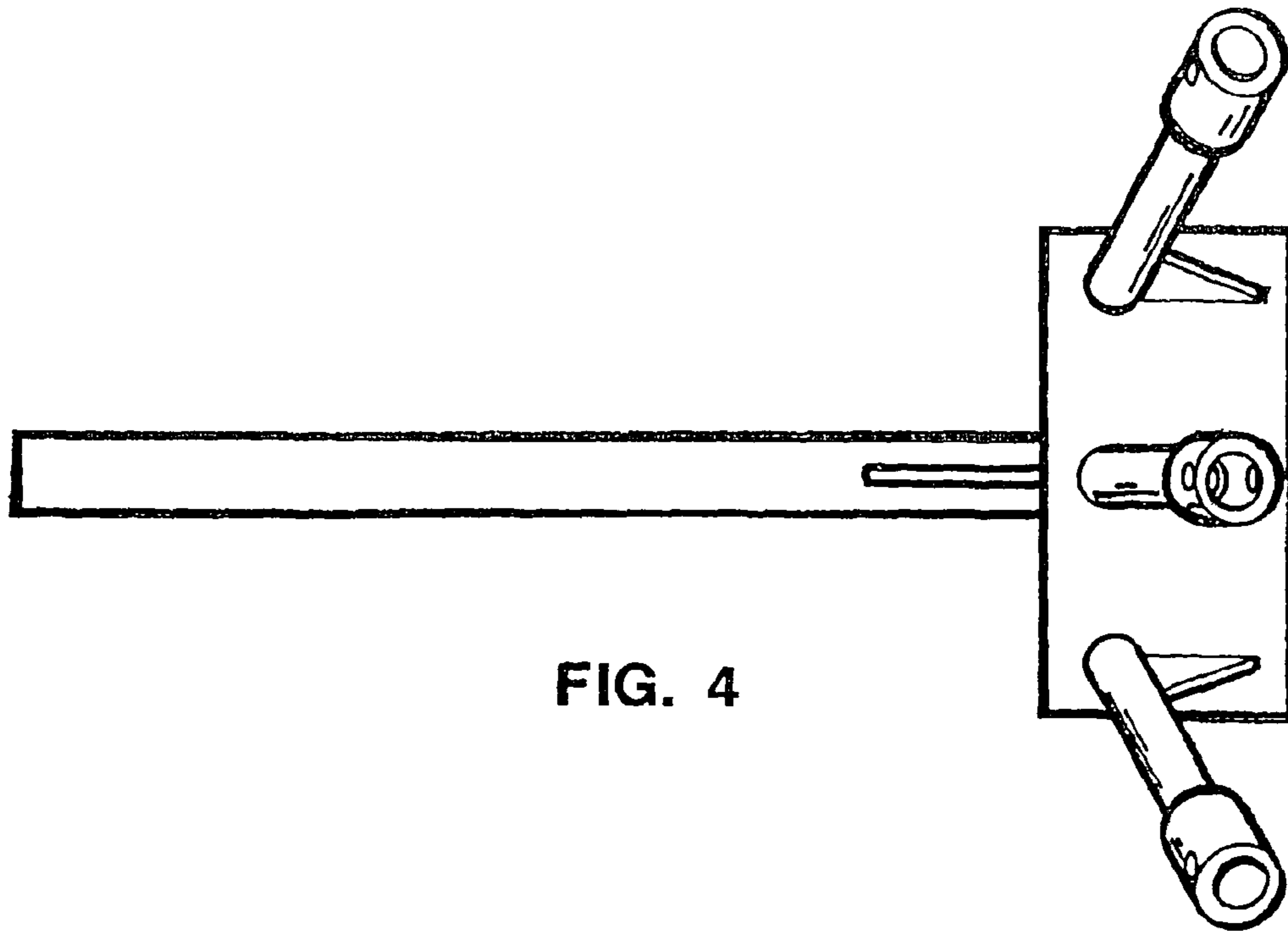


FIG. 3



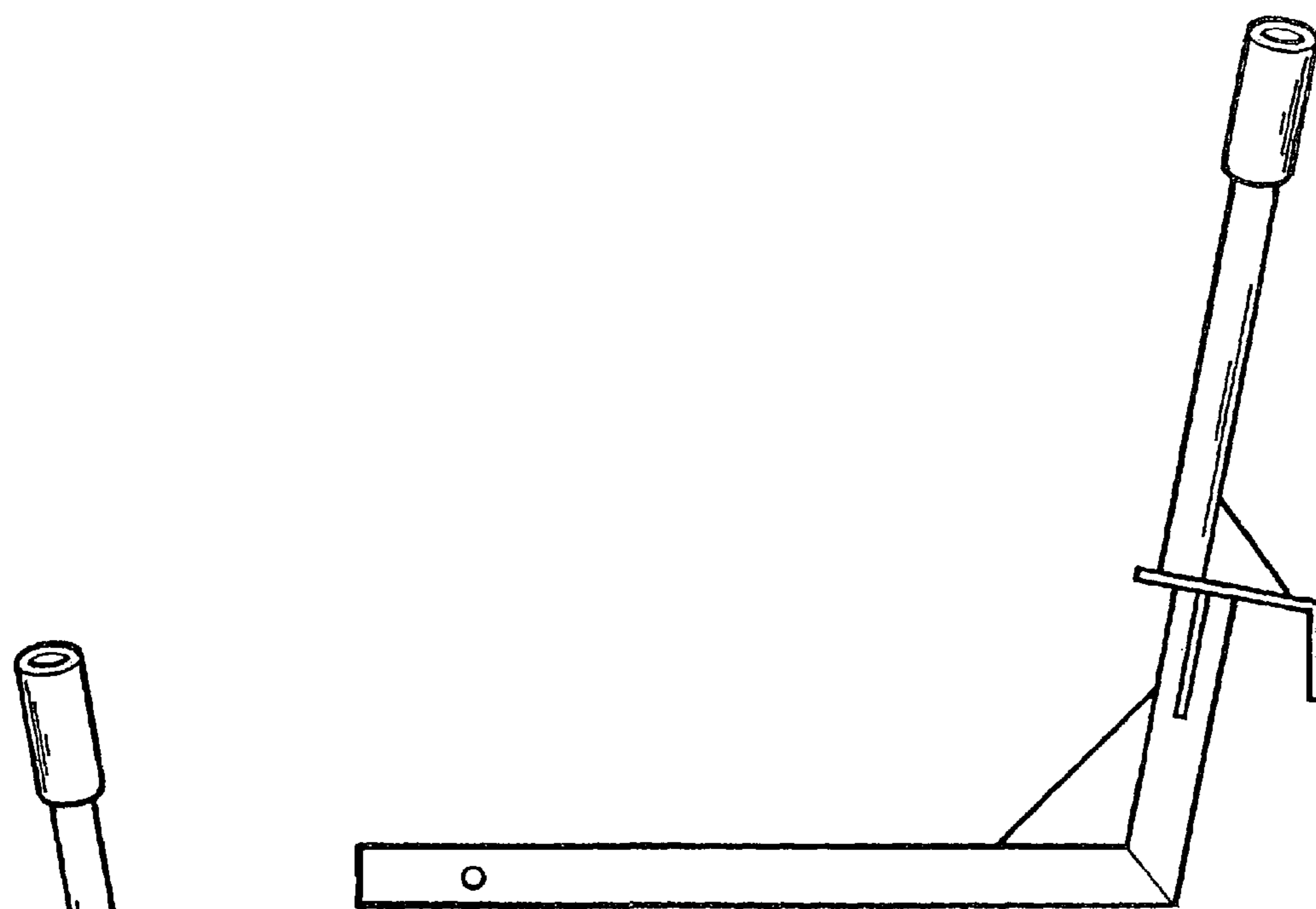


FIG. 6

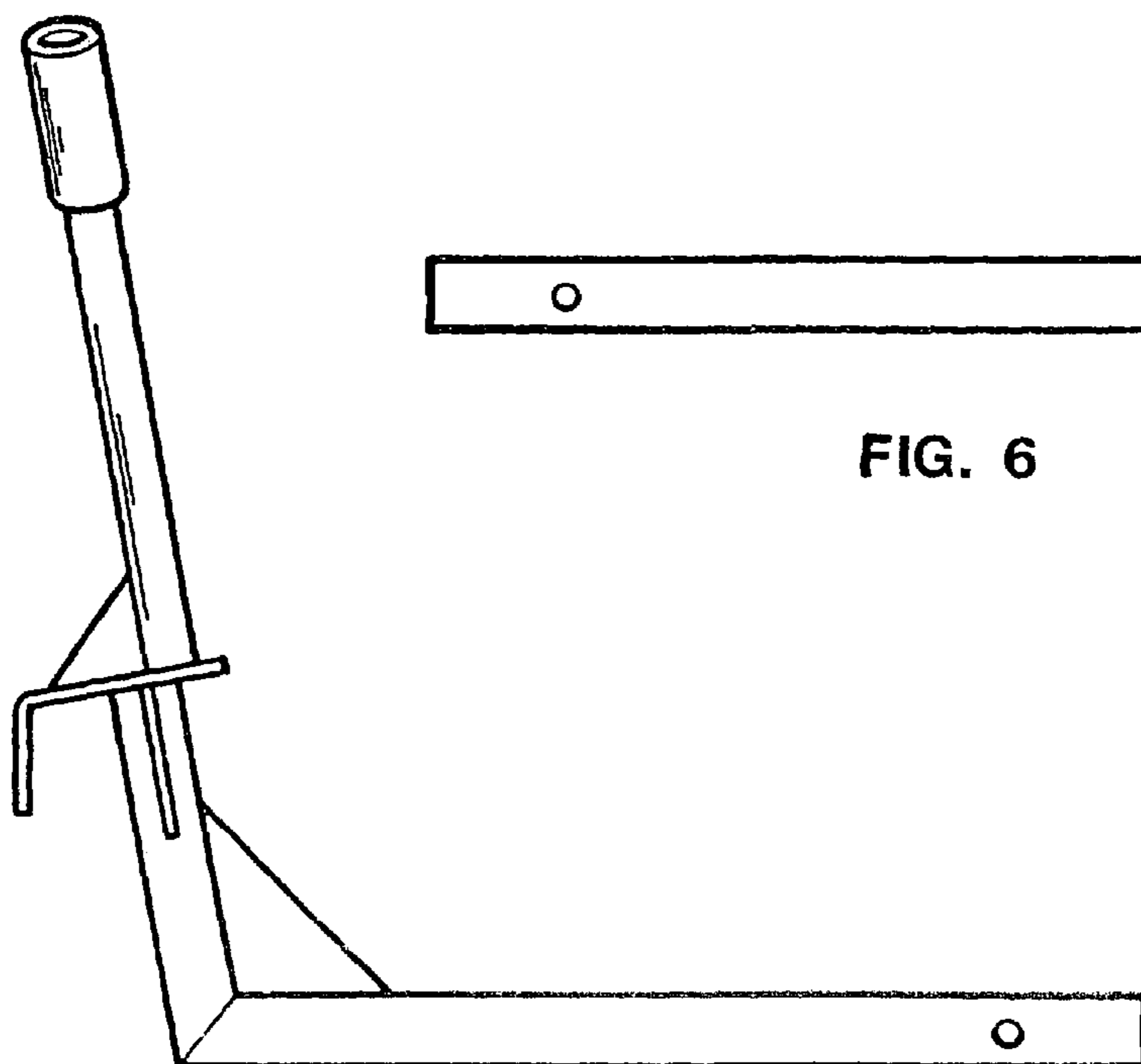


FIG. 7