



US00D712311S

(12) **United States Design Patent**  
**Morgan et al.**

(10) **Patent No.:** **US D712,311 S**

(45) **Date of Patent:** **\*\* Sep. 2, 2014**

(54) **ALL TERRAIN VEHICLE**

(71) Applicant: **Polaris Industries Inc.**, Medina, MN  
(US)

(72) Inventors: **Bennett J. Morgan**, Excelsior, MN  
(US); **Steven D. Wilcox**, Maple Grove,  
MN (US)

(73) Assignee: **Polaris Industries Inc.**, Medina, MN  
(US)

(\*\*) Term: **14 Years**

(21) Appl. No.: **29/447,346**

(22) Filed: **Mar. 1, 2013**

(51) **LOC (10) Cl.** ..... **12-08**

(52) **U.S. Cl.**  
USPC ..... **D12/87**

(58) **Field of Classification Search**  
USPC ..... D12/86, 87.1; D21/424, 433;  
296/181.1, 181.5

See application file for complete search history.

(56) **References Cited**

U.S. PATENT DOCUMENTS

D625,662 S \* 10/2010 Li ..... D12/87  
D650,311 S \* 12/2011 Bracy ..... D12/87  
D682,739 S \* 5/2013 Patterson et al. .... D12/87

\* cited by examiner

*Primary Examiner* — Philip S Hyder

*Assistant Examiner* — Darlington Ly

(74) *Attorney, Agent, or Firm* — Faegre Baker Daniels LLP

(57) **CLAIM**

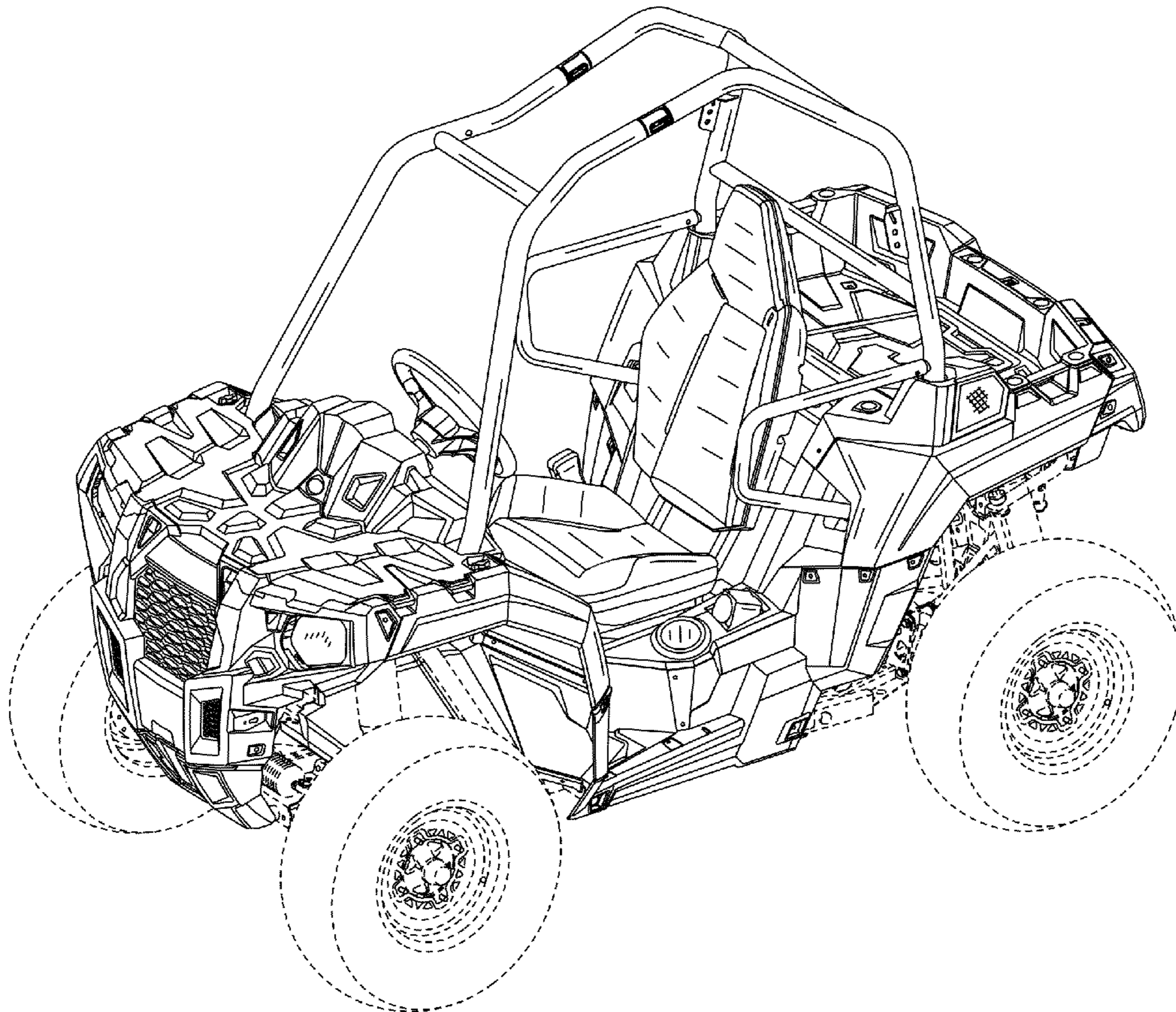
The ornamental design for an all terrain vehicle, as shown and described.

**DESCRIPTION**

FIG. 1 is a left front perspective view of the all terrain vehicle; FIG. 2 is a right rear perspective view of the all terrain vehicle; FIG. 3 is a left side view of the all terrain vehicle; FIG. 4 is a right side view of the all terrain vehicle; FIG. 5 is a top view of the all terrain vehicle; FIG. 6 is a front view of the all terrain vehicle; and, FIG. 7 is a rear view of the all terrain vehicle.

The broken lines show portions of the all terrain vehicle that form no part of the claimed design.

**1 Claim, 6 Drawing Sheets**



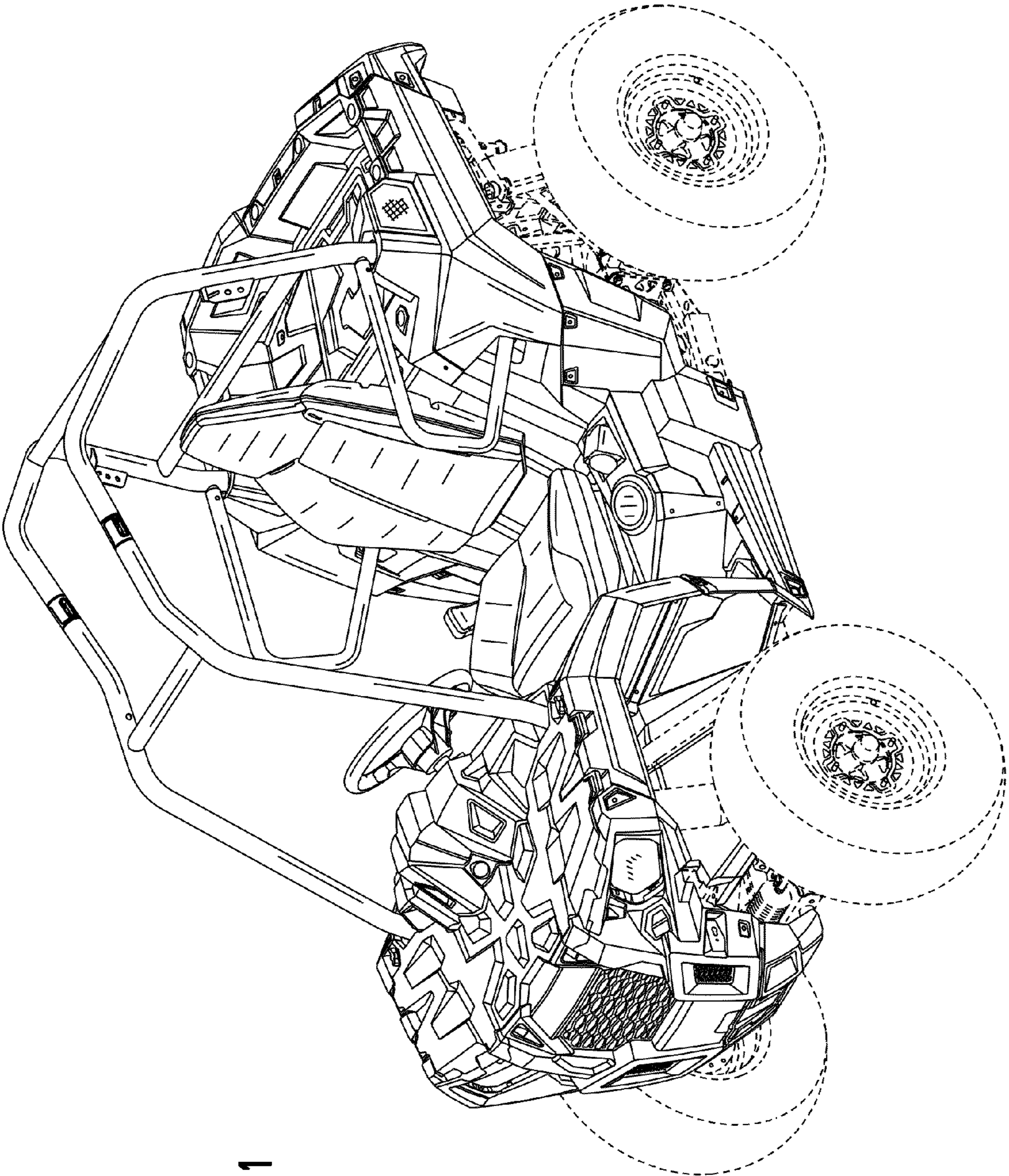


Fig. 1

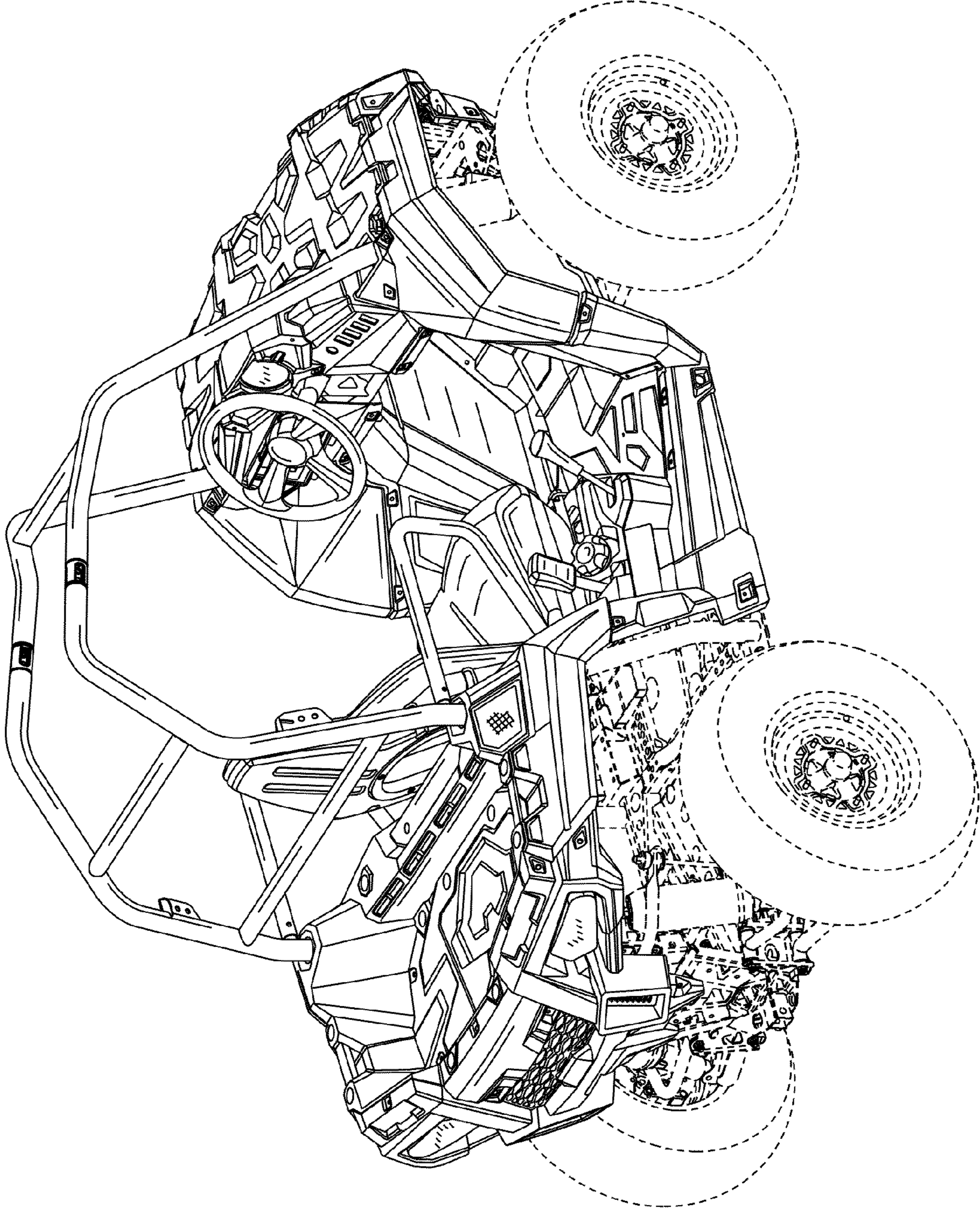


Fig. 2

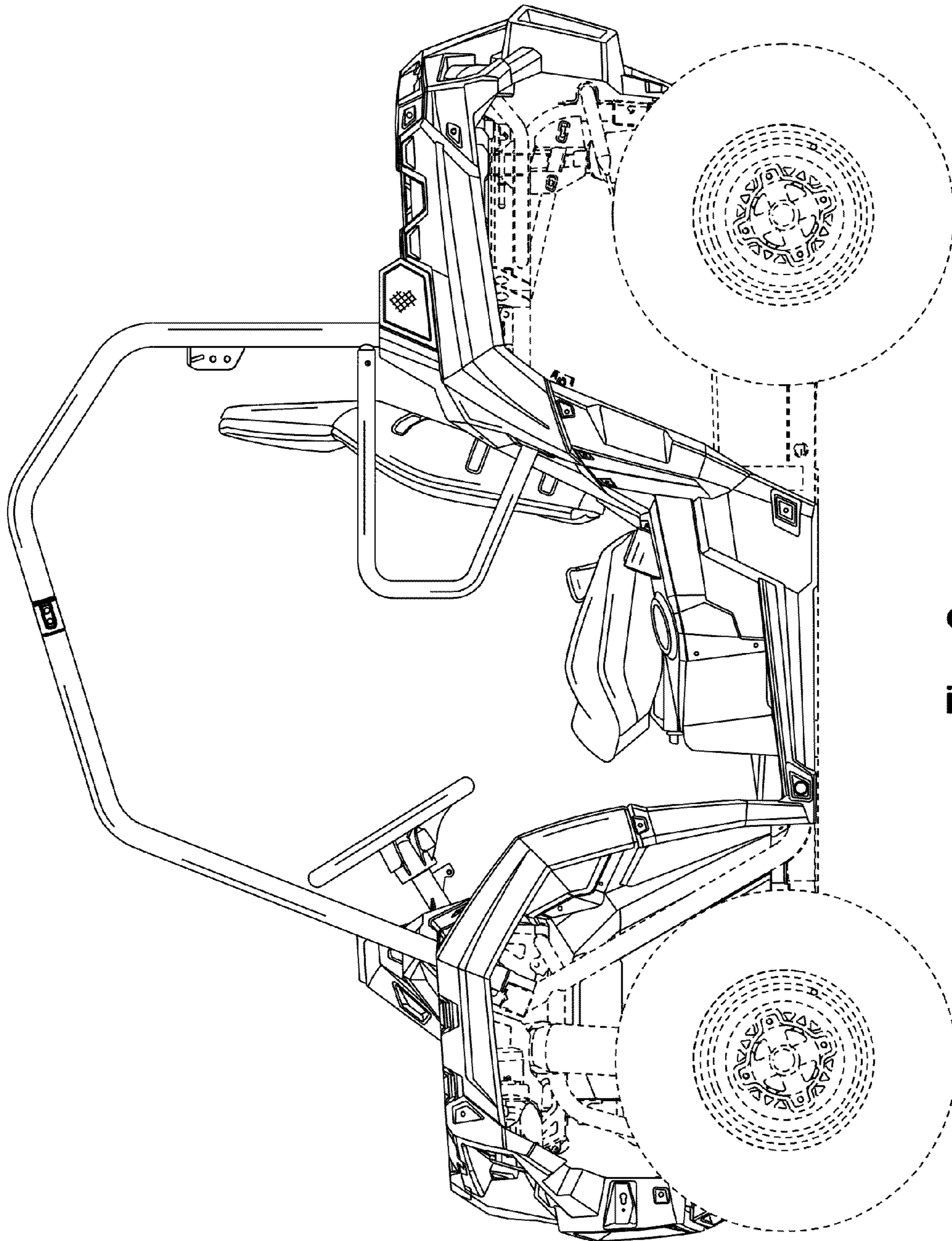


Fig. 3

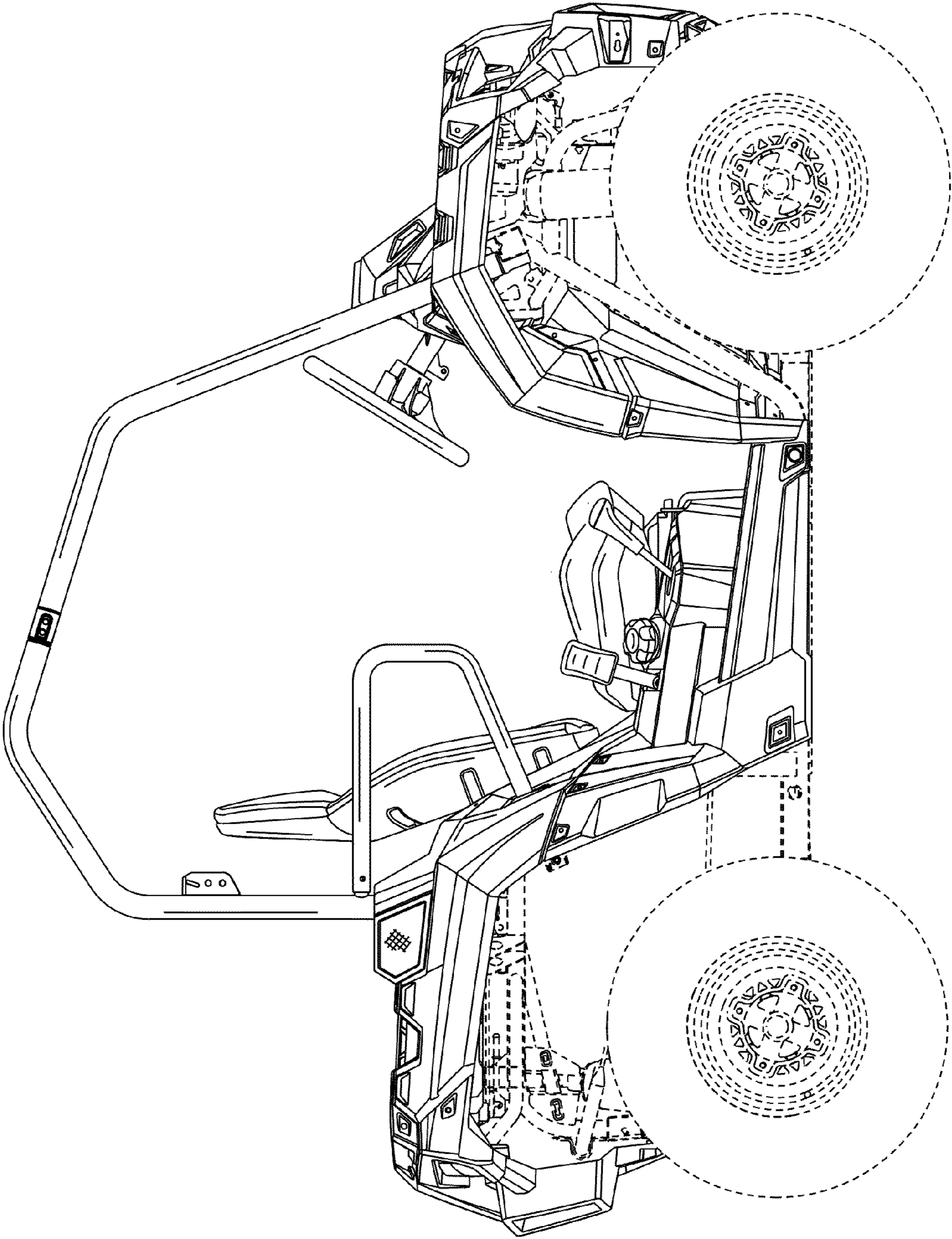


Fig. 4

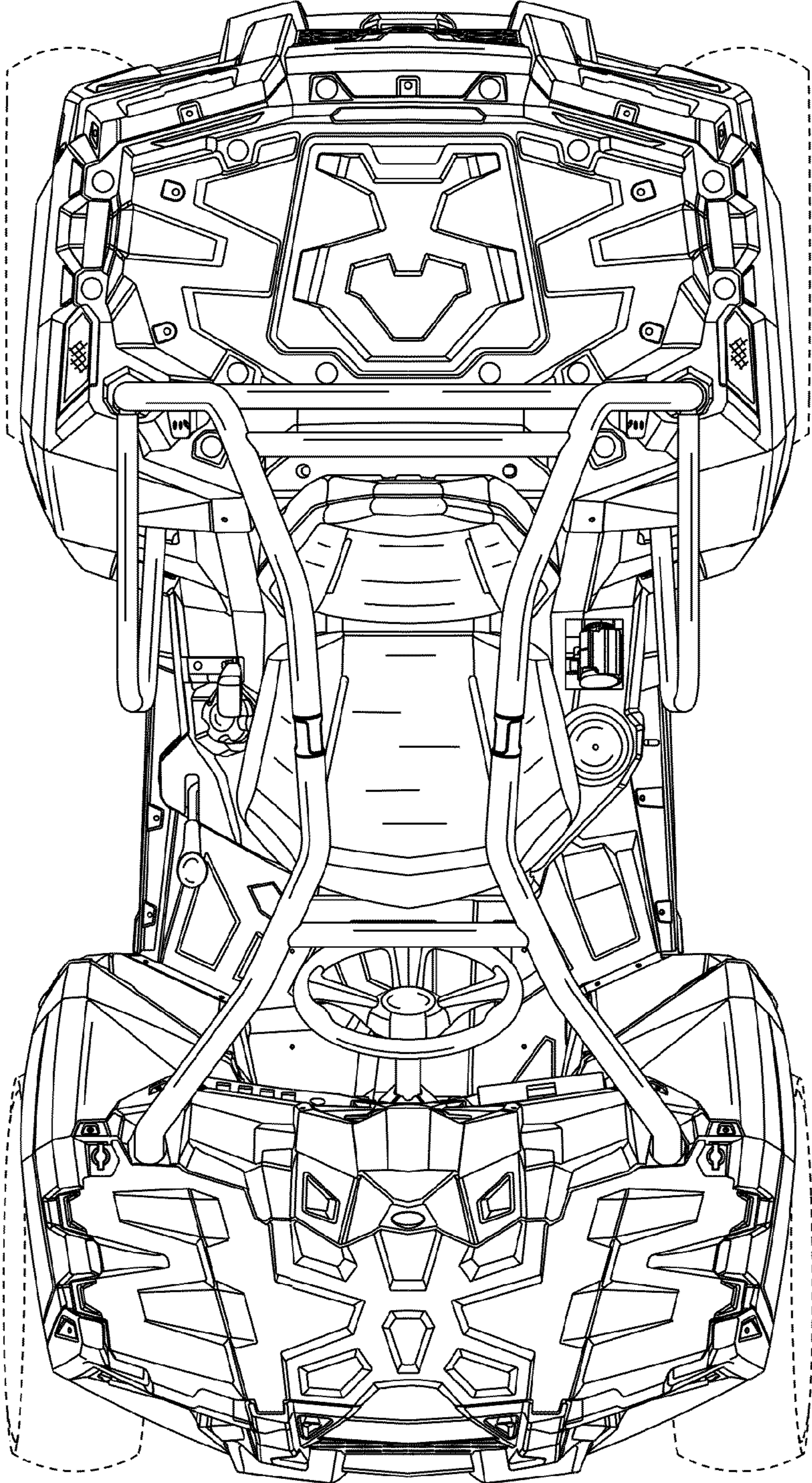


Fig. 5

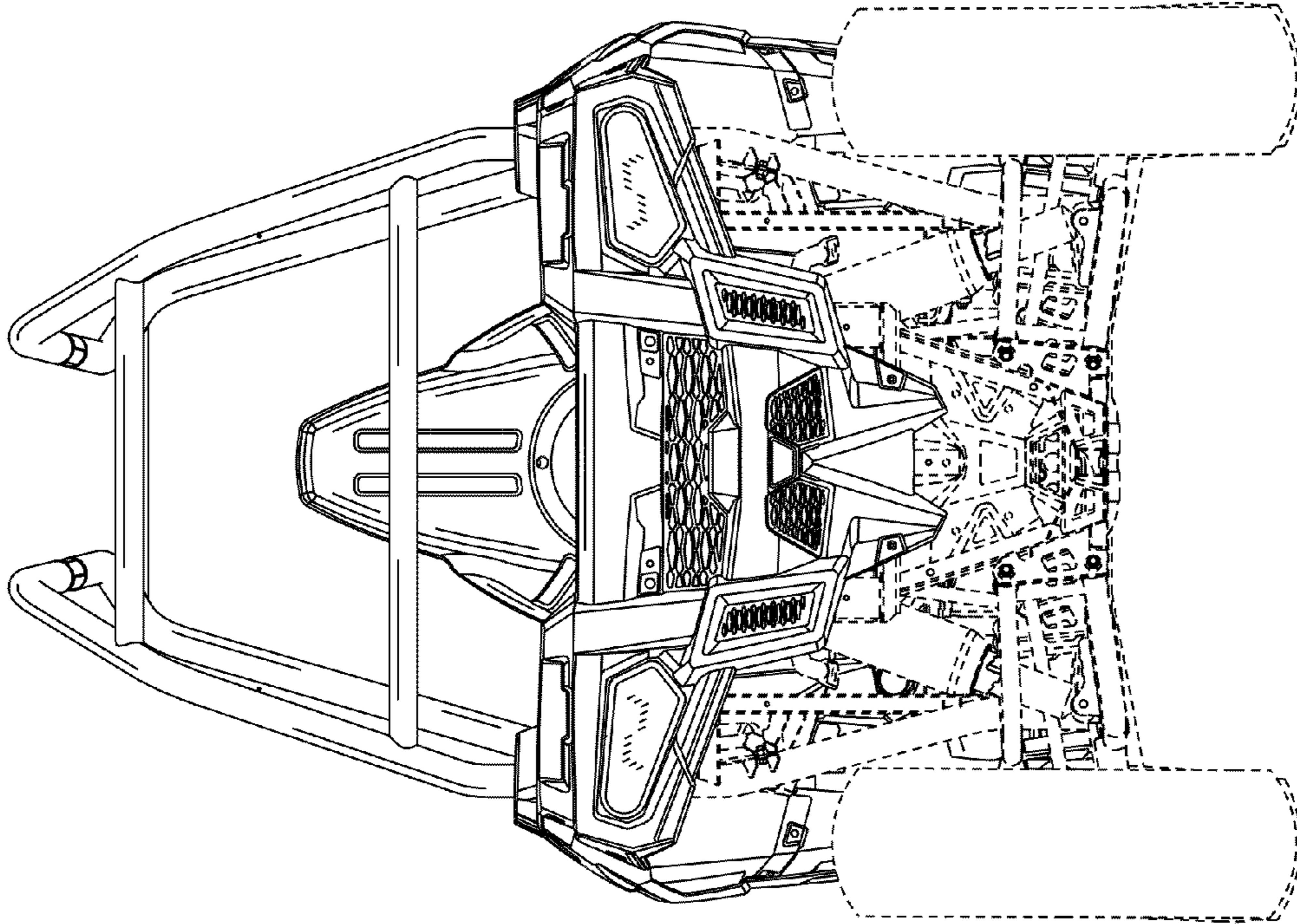


Fig. 7

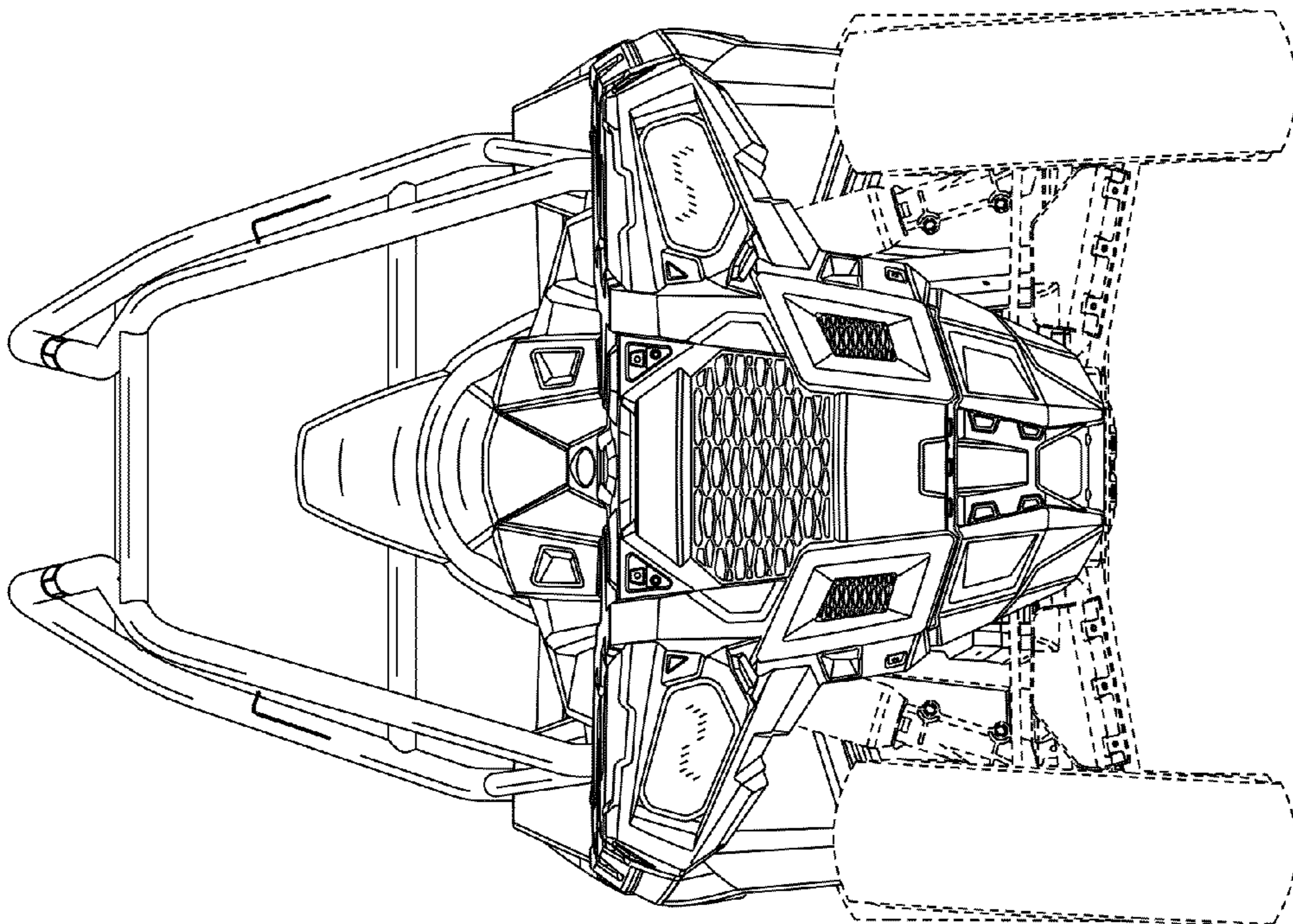


Fig. 6