



US00D712309S

(12) **United States Design Patent**
Wu et al.

(10) **Patent No.:** **US D712,309 S**
(45) **Date of Patent:** **** Sep. 2, 2014**

(54) **UTILITY VEHICLE**

(71) Applicant: **Kwang Yang Motor Co., Ltd.,**
Kaohsiung (TW)

(72) Inventors: **Wen-Yung Wu, Kaohsiung (TW);**
Kai-Tong Yang, Kaohsiung (TW)

(73) Assignee: **Kwang Yang Motor Co., Ltd.,**
Kaohsiung (TW)

(**) Term: **14 Years**

(21) Appl. No.: **29/459,095**

(22) Filed: **Jun. 26, 2013**

(51) **LOC (10) Cl.** **12-14**

(52) **U.S. Cl.**
USPC **D12/14**

(58) **Field of Classification Search**
USPC D12/14, 1, 87, 86, 433, 15, 16, 107, 82,
D12/88, 89, 90, 91, 92, 93; D21/803;
180/233, 908; 208/DIG. 5, 183, 184,
208/185, 186, 28, 37.7
See application file for complete search history.

(56) **References Cited**

U.S. PATENT DOCUMENTS

D578,433 S * 10/2008 Kawaguchi et al. D12/14
D586,694 S * 2/2009 Huang et al. D12/14
D604,201 S * 11/2009 Kawaguchi et al. D12/14
D631,395 S * 1/2011 Tandrup et al. D12/14

8,256,563 B2 * 9/2012 Suzuki et al. 180/292
D670,198 S * 11/2012 Li et al. D12/14
D682,738 S * 5/2013 Li et al. D12/14
D689,396 S * 9/2013 Wang D12/14
D699,627 S * 2/2014 Tang D12/14
2008/0053738 A1 * 3/2008 Kosuge et al. 180/311
2012/0152637 A1 * 6/2012 Hapka 180/233

* cited by examiner

Primary Examiner — T. Chase Nelson

Assistant Examiner — Ania Aman

(74) *Attorney, Agent, or Firm* — Leong C. Lei

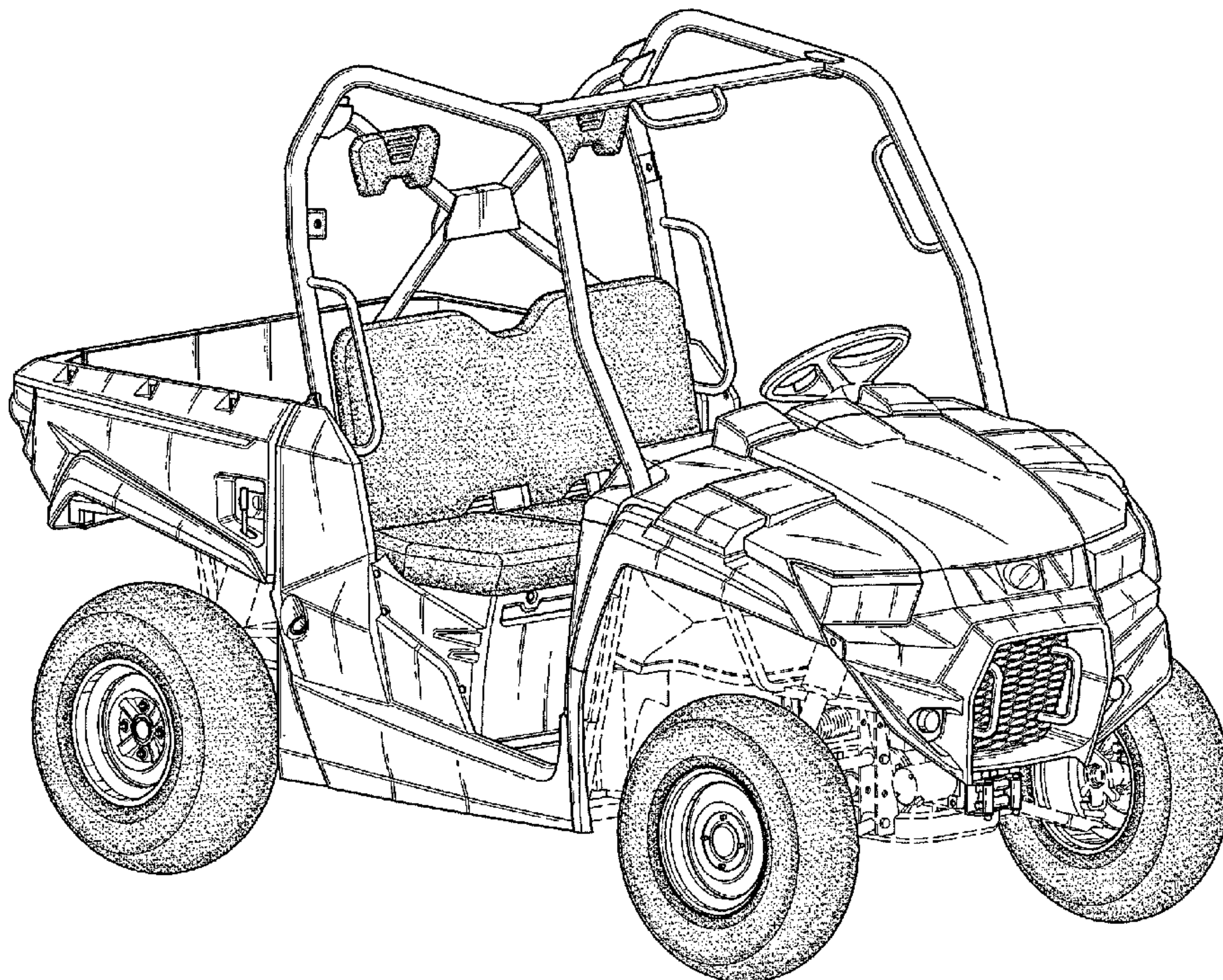
(57) **CLAIM**

The ornamental design for a utility vehicle, as shown and described.

DESCRIPTION

FIG. 1 is a perspective view of a utility vehicle showing my new design;
FIG. 2 is a front elevational view thereof;
FIG. 3 is a rear elevational view thereof;
FIG. 4 is a left side elevational view thereof;
FIG. 5 is a right side elevational view thereof;
FIG. 6 is a top plan view thereof; and,
FIG. 7 is a bottom plan view thereof.
The broken line shown in the drawings are for the purpose of illustrating portions of the article and form no part of the claimed design.

1 Claim, 7 Drawing Sheets



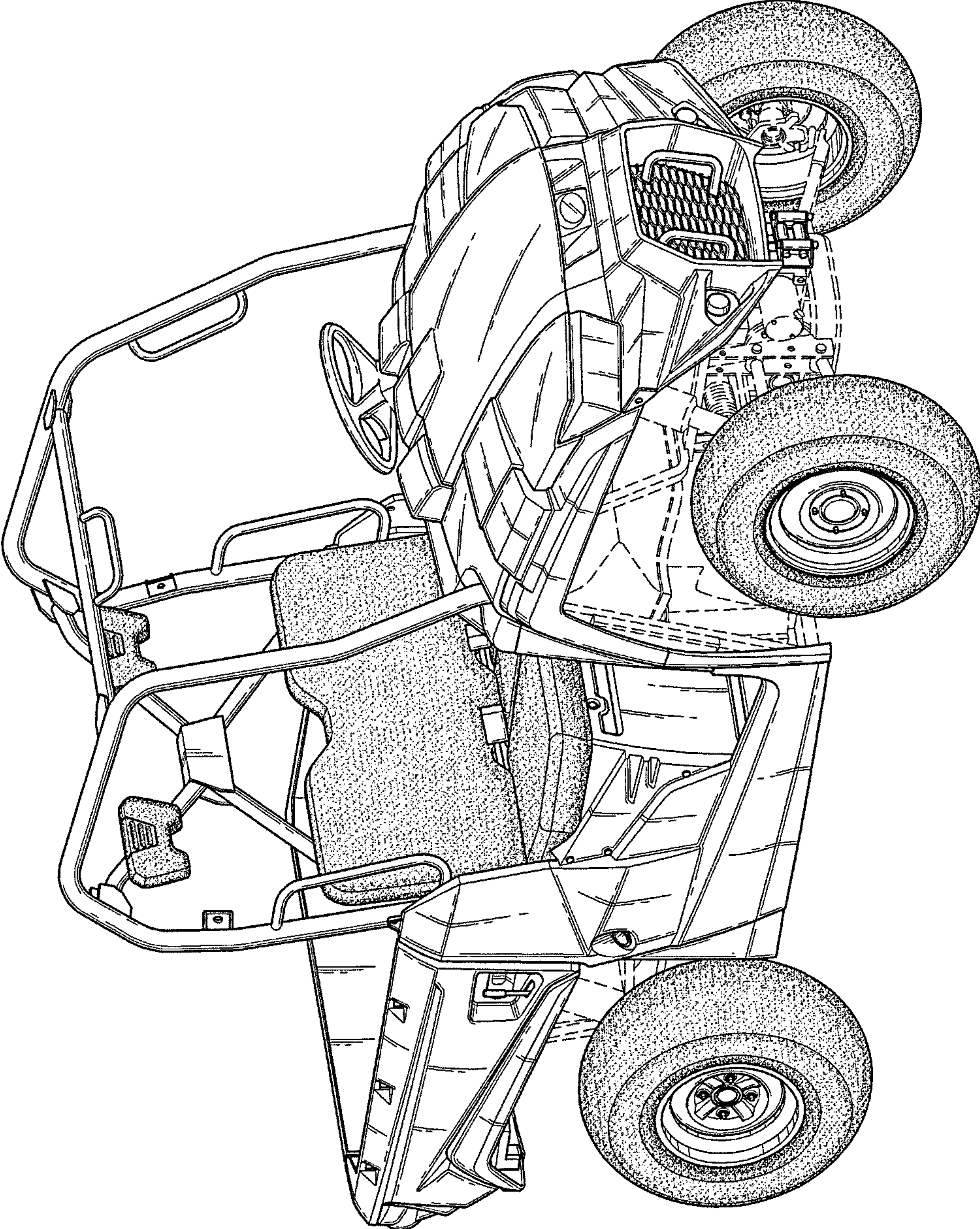


FIG.1

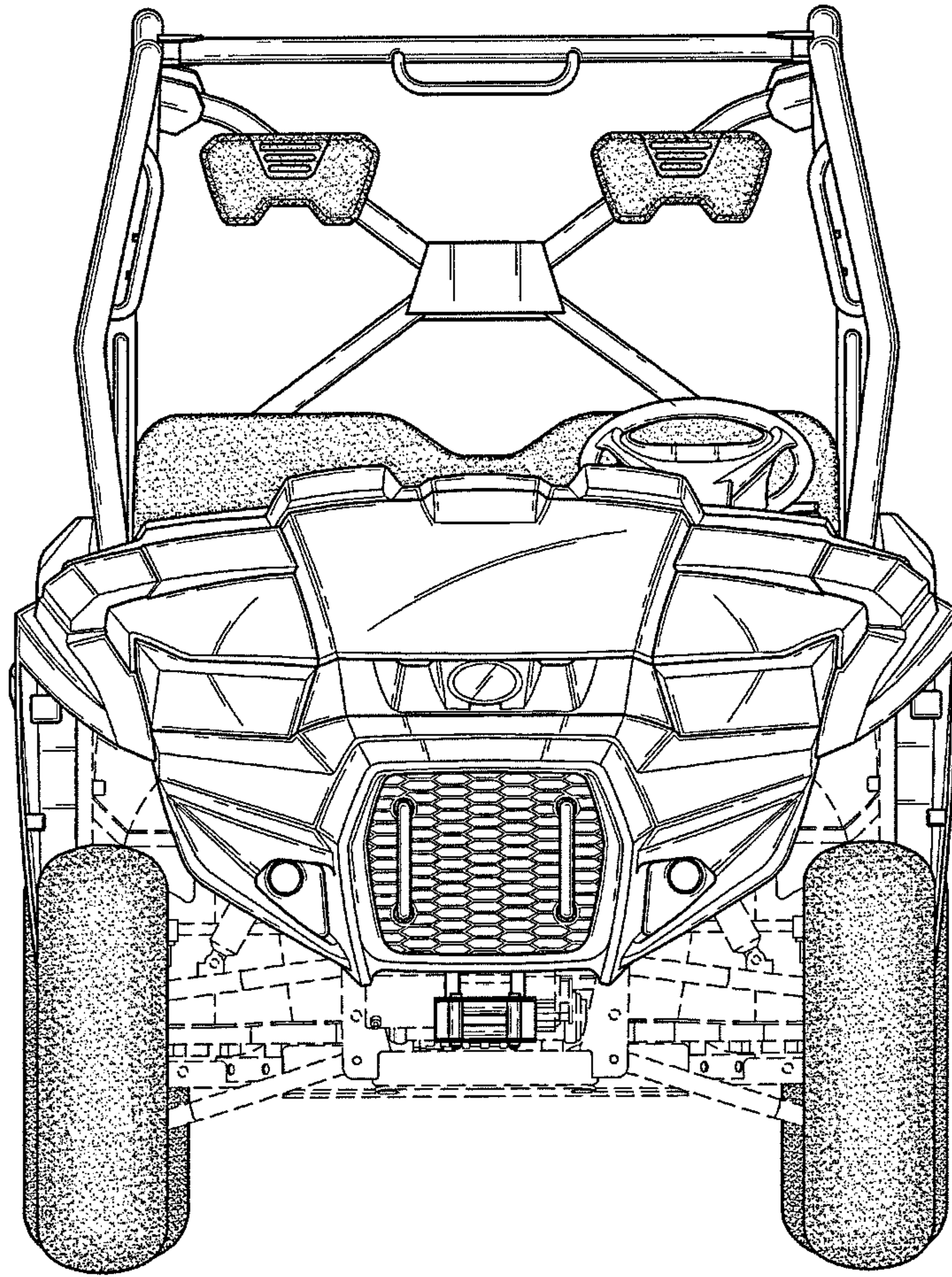


FIG.2

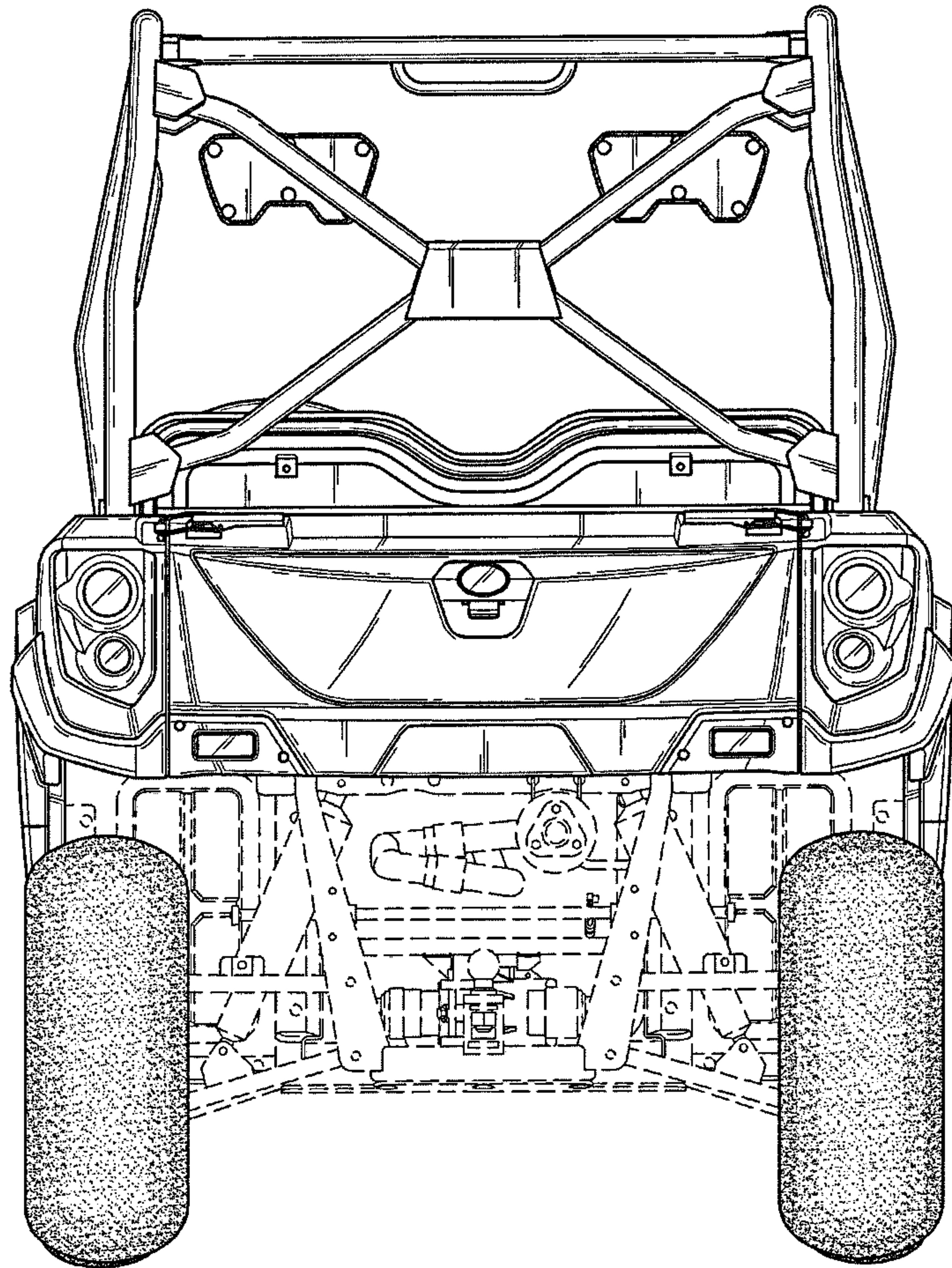


FIG.3

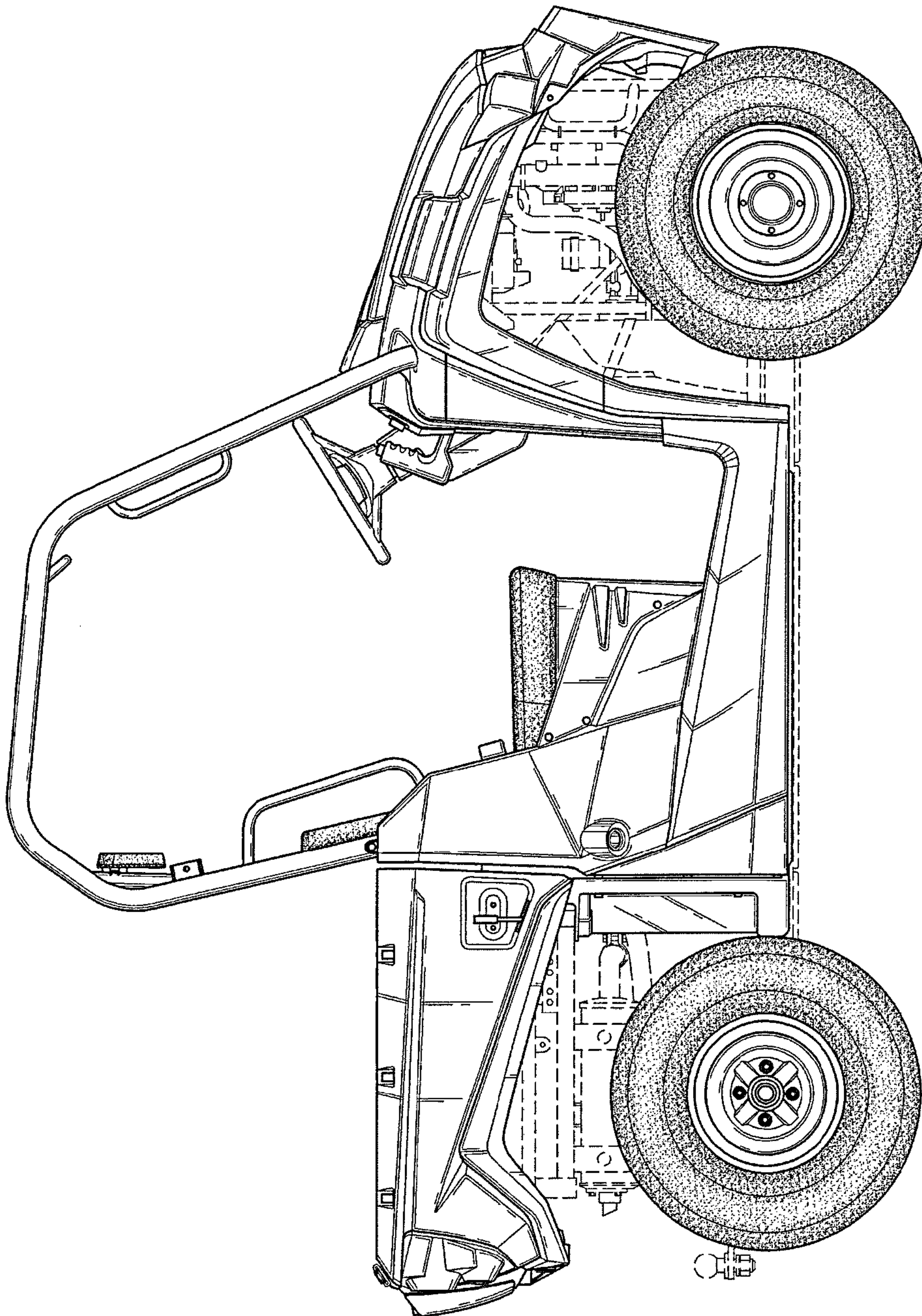


FIG.4

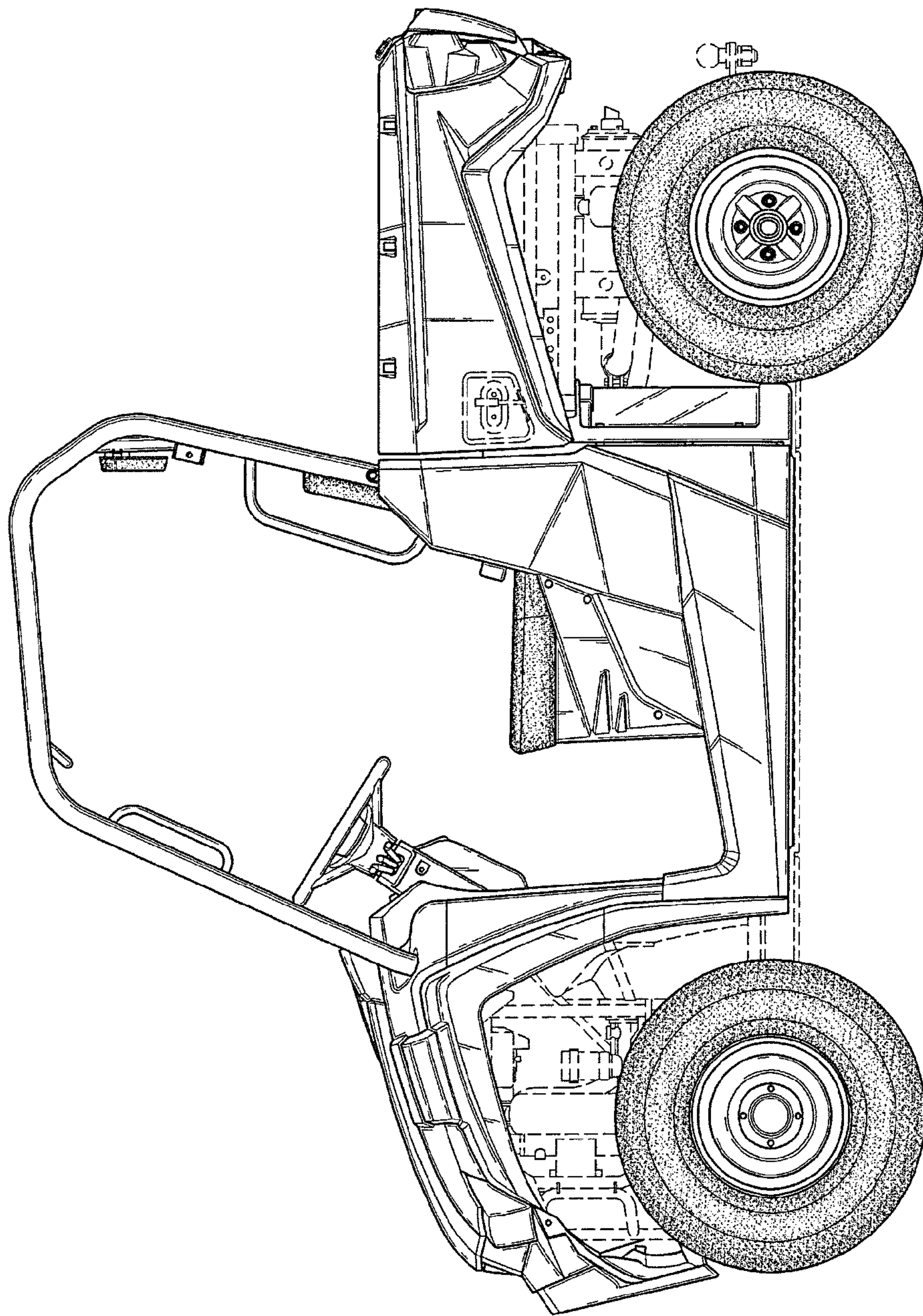


FIG.5

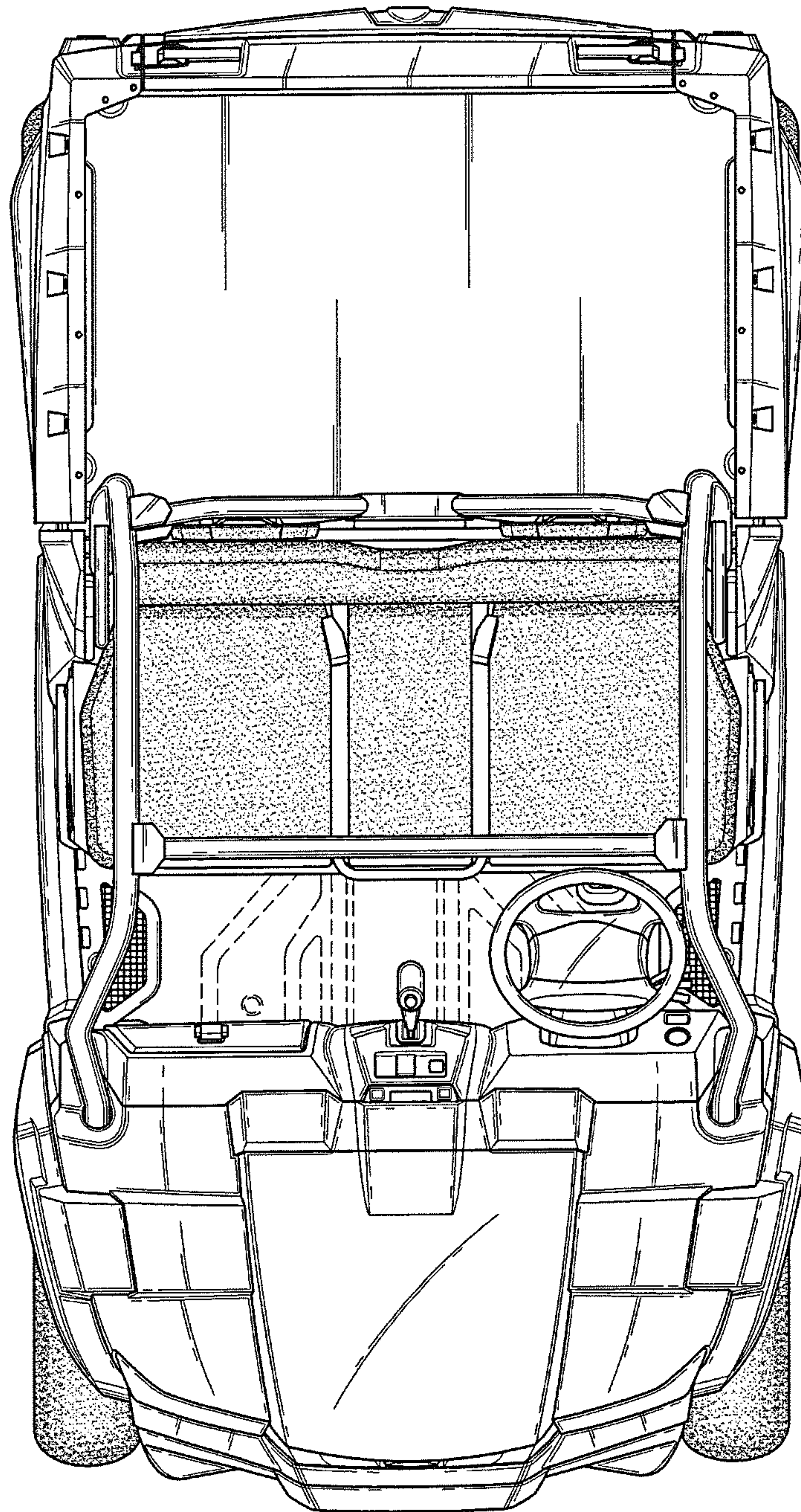


FIG.6

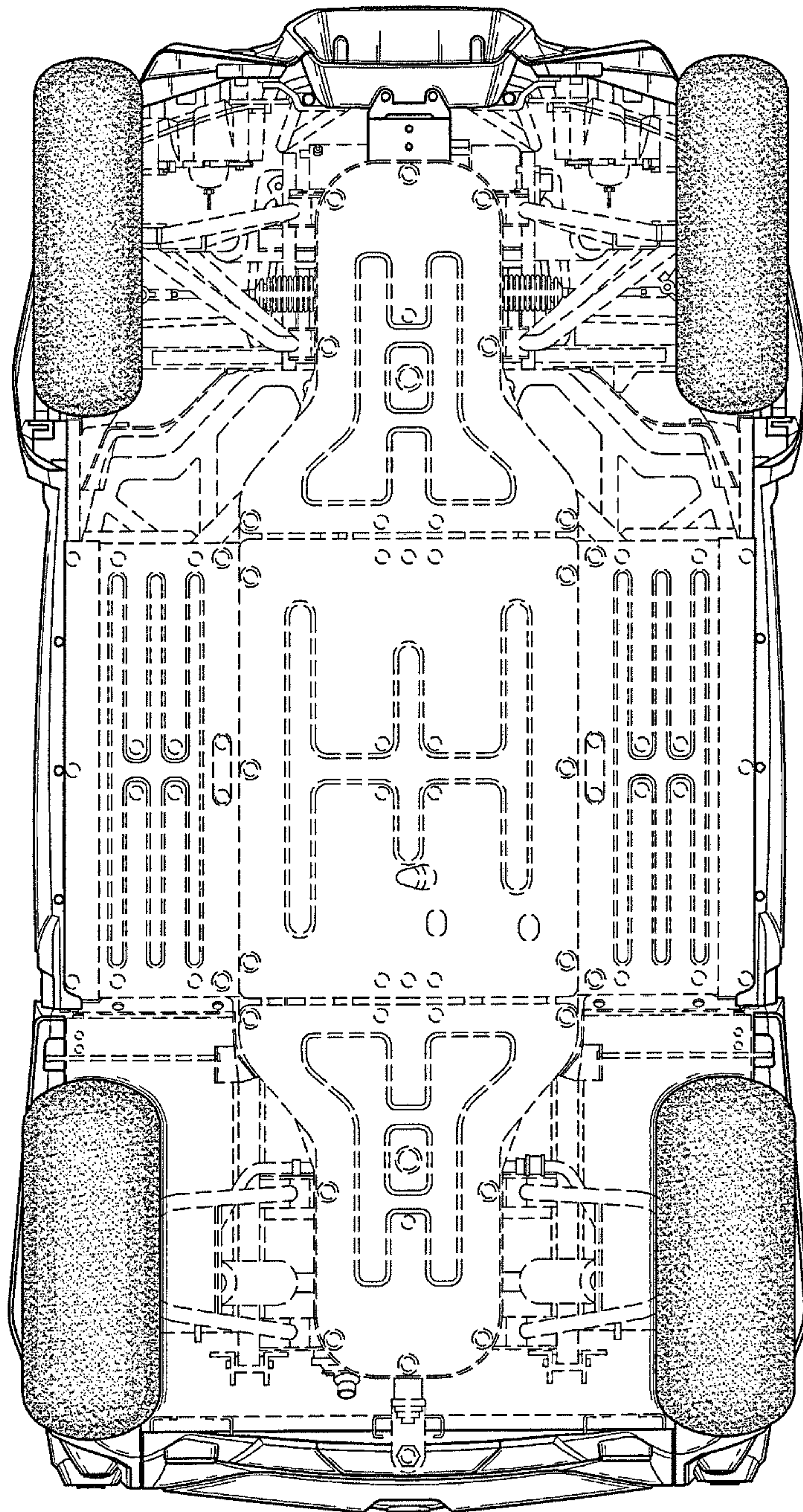


FIG.7