



US00D712307S

(12) **United States Design Patent**
Wang et al.

(10) **Patent No.:** **US D712,307 S**

(45) **Date of Patent:** **** Sep. 2, 2014**

- (54) **STUD FOR A FASHION ARTICLE**
- (75) Inventors: **Alexander Wang**, New York, NY (US);
Jennifer Newman, New York, NY (US)
- (73) Assignee: **Alexander Wang Incorporated**, New York, NY (US)
- (**) Term: **14 Years**
- (21) Appl. No.: **29/402,851**
- (22) Filed: **Sep. 28, 2011**
- (51) **LOC (10) Cl.** **02-07**
- (52) **U.S. Cl.**
USPC **D11/222**
- (58) **Field of Classification Search**
USPC D11/200–231; 24/97, 100, 120–103,
24/108, 623, 697.2, 688–690, 662, 381,
24/102 R, 95; 63/20, 12; D8/380,
D8/382–383, 356; D27/154, 157, 159;
396/433; 421/138; 434/235; 473/470;
43/42.05; 249/119; 307/117; 416/439;
428/72; 359/15; 206/222; 248/475.1;
D7/301, 306
See application file for complete search history.

(56) **References Cited**

U.S. PATENT DOCUMENTS

1,527,051	A *	2/1925	Longan	434/235
2,081,196	A *	5/1937	Emsig	24/95
3,028,646	A	4/1962	Janes		
3,761,087	A *	9/1973	Meyer	473/470
4,033,063	A *	7/1977	Mize	43/42.05
4,067,538	A *	1/1978	Doherty	249/119
4,075,506	A *	2/1978	Nakata	307/117
4,185,125	A *	1/1980	Sakakibara et al.	426/439
D263,765	S *	4/1982	Engelhardt	D11/226
4,348,442	A *	9/1982	Figge	428/72
D274,017	S *	5/1984	Engelhardt	D11/226
D286,223	S *	10/1986	Seehase	D11/232

D286,224	S *	10/1986	Seehase	D11/232
D286,225	S *	10/1986	Seehase	D11/232
D286,226	S *	10/1986	Seehase	D11/232
D318,412	S *	7/1991	Williams	D8/356
D337,255	S *	7/1993	Novelli, Sr.	D8/356
D337,967	S *	8/1993	Wright	D11/226
D344,252	S *	2/1994	Choi	D11/222
5,369,511	A *	11/1994	Amos	359/15
D354,720	S *	1/1995	Estes	D11/222
D355,396	S *	2/1995	Andrau	D11/222
D377,919	S *	2/1997	Singer et al.	D11/226
D397,064	S *	8/1998	Nelson	D11/222
5,979,647	A *	11/1999	Han	206/222
D449,564	S *	10/2001	Platt	D11/222
D508,432	S *	8/2005	Cogoli et al.	D11/222

(Continued)

OTHER PUBLICATIONS

Declaration of Dennis Wang dated Jan. 26, 2012, from U.S. Appl. 29/403,021, filed Sep. 30, 2011, now U.S. Patent No. D660,199 issued on May 22, 2012 (5 pages).

(Continued)

Primary Examiner — T. Chase Nelson
Assistant Examiner — Mark Cavanna
(74) *Attorney, Agent, or Firm* — McCarter & English, LLP

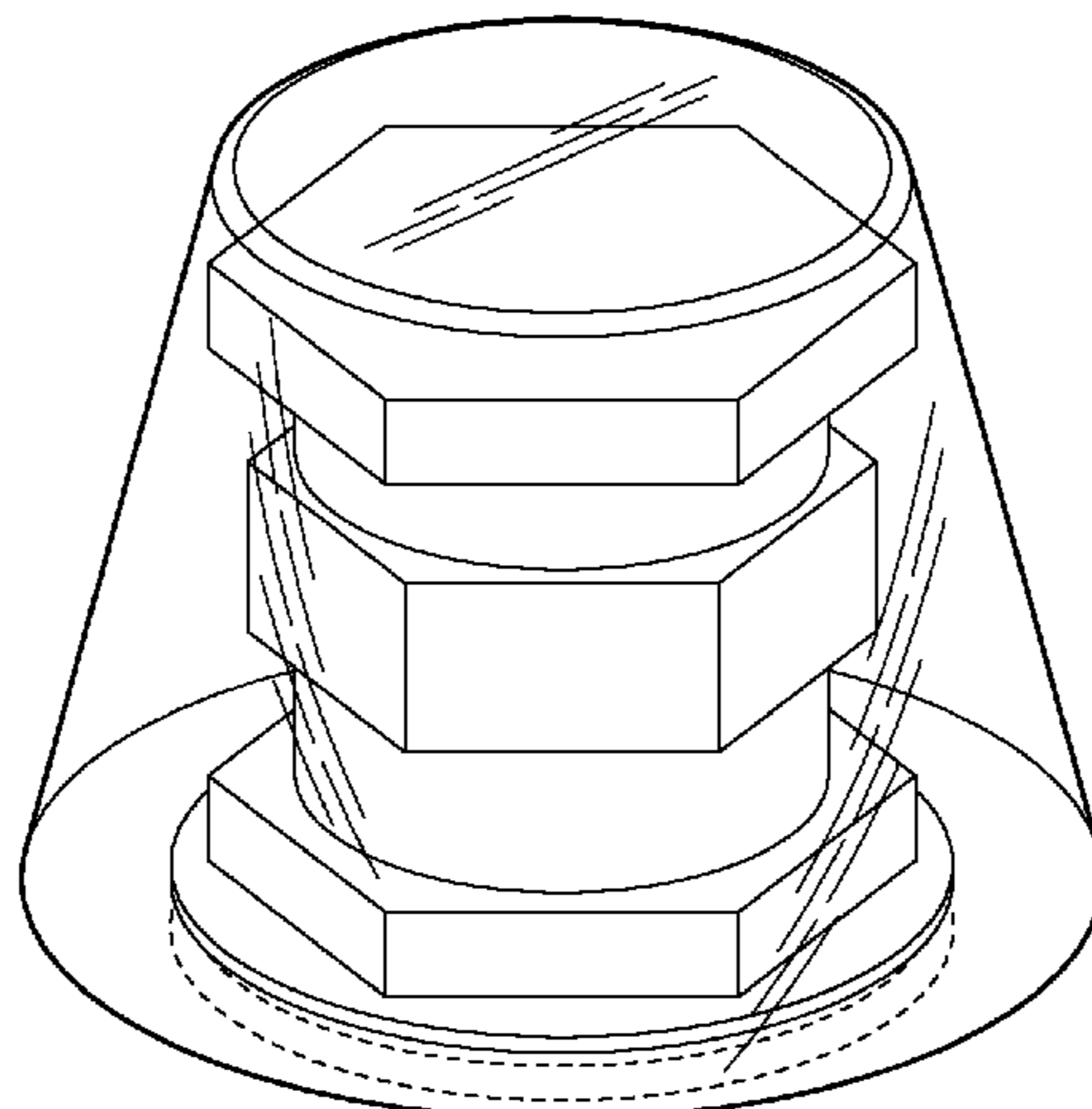
(57) **CLAIM**

The ornamental design for a stud for a fashion article, as shown and described.

DESCRIPTION

FIG. 1 is a top perspective view of a stud showing our new design;
FIG. 2 is a top plan view thereof;
FIG. 3 is an elevational view thereof;
FIG. 4 is a bottom plan view thereof; and,
FIG. 5 is a vertical cross-sectional view of the stud.
The broken lines are for illustrative purposes only and form no part of the claimed design.

1 Claim, 2 Drawing Sheets



(56)

References Cited

U.S. PATENT DOCUMENTS

D543,768 S * 6/2007 Ford D7/301
D546,730 S 7/2007 Nichanian
D547,236 S * 7/2007 Arasheben et al. D11/222
7,261,272 B2 * 8/2007 Courbon 248/475.1
D551,117 S * 9/2007 Edocs D11/222
D578,037 S 10/2008 Edocs
D592,097 S 5/2009 Androuais
D599,159 S * 9/2009 Stein D7/306
D625,052 S 10/2010 Mastoras et al.
D625,659 S * 10/2010 Sawyer D11/222
D645,785 S 9/2011 Wang et al.
D659,592 S 5/2012 Wang et al.

D660,199 S 5/2012 Wang et al.
D688,159 S * 8/2013 Farabow D11/232
2006/0007668 A1 1/2006 Chien
2008/0060110 A1 3/2008 Schmelzer et al.

OTHER PUBLICATIONS

“Stop ’N Shop: Fashion Bloggers with Style” UMagazine, Mar. 2011 (1 page).
Michael Carl, “Tough it Out,” Fashion Bulletin, Apr. 2011 (1 page).
Anne Monoky, “Alexander Wang’s Must Have Accessories,” Harper’s Bazaar, Aug. 25, 2010 (1 page).
Photo of third party bag with studs on sale Feb. 11, 2011 (2 pages).

* cited by examiner

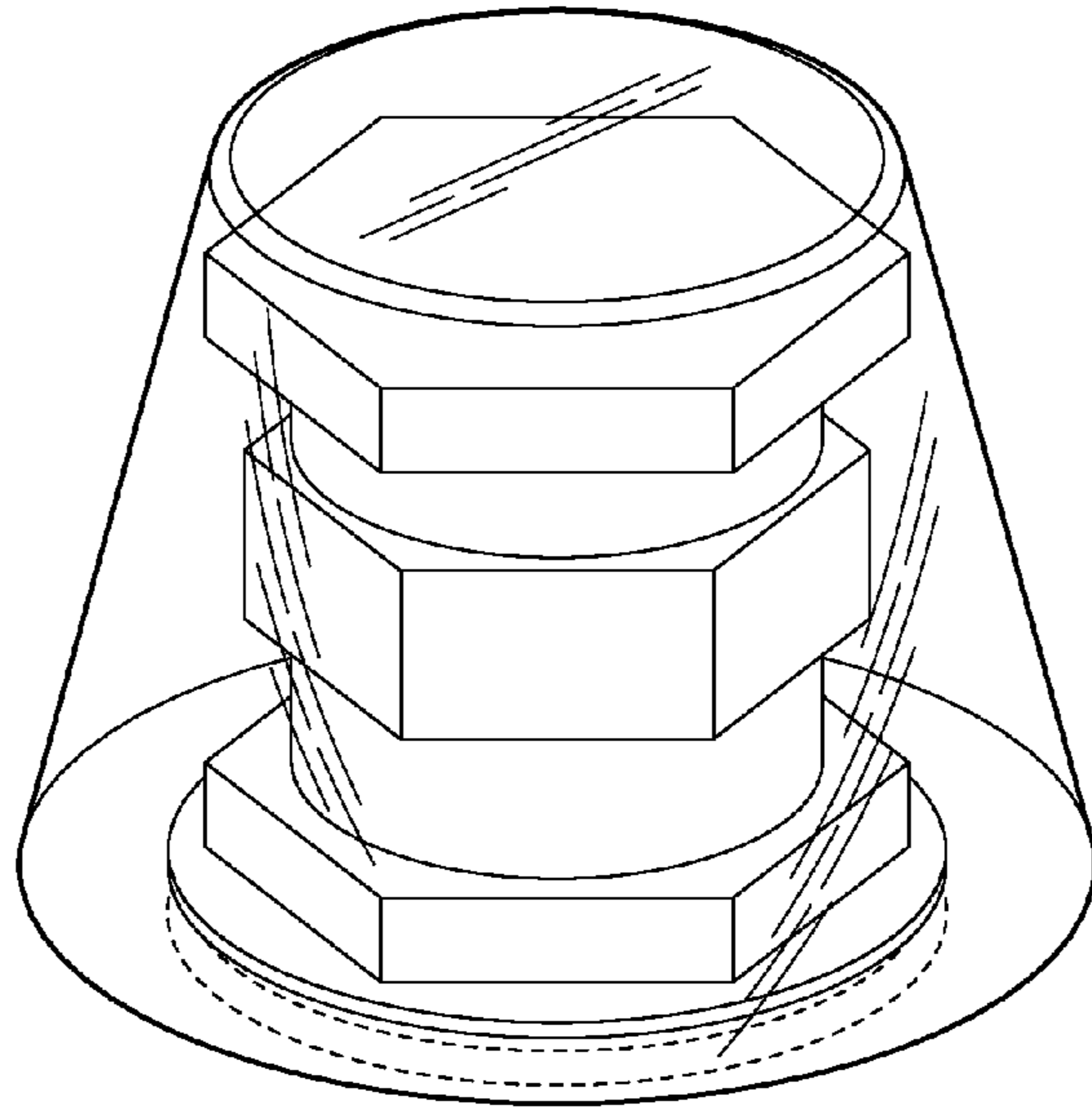


FIG. 1

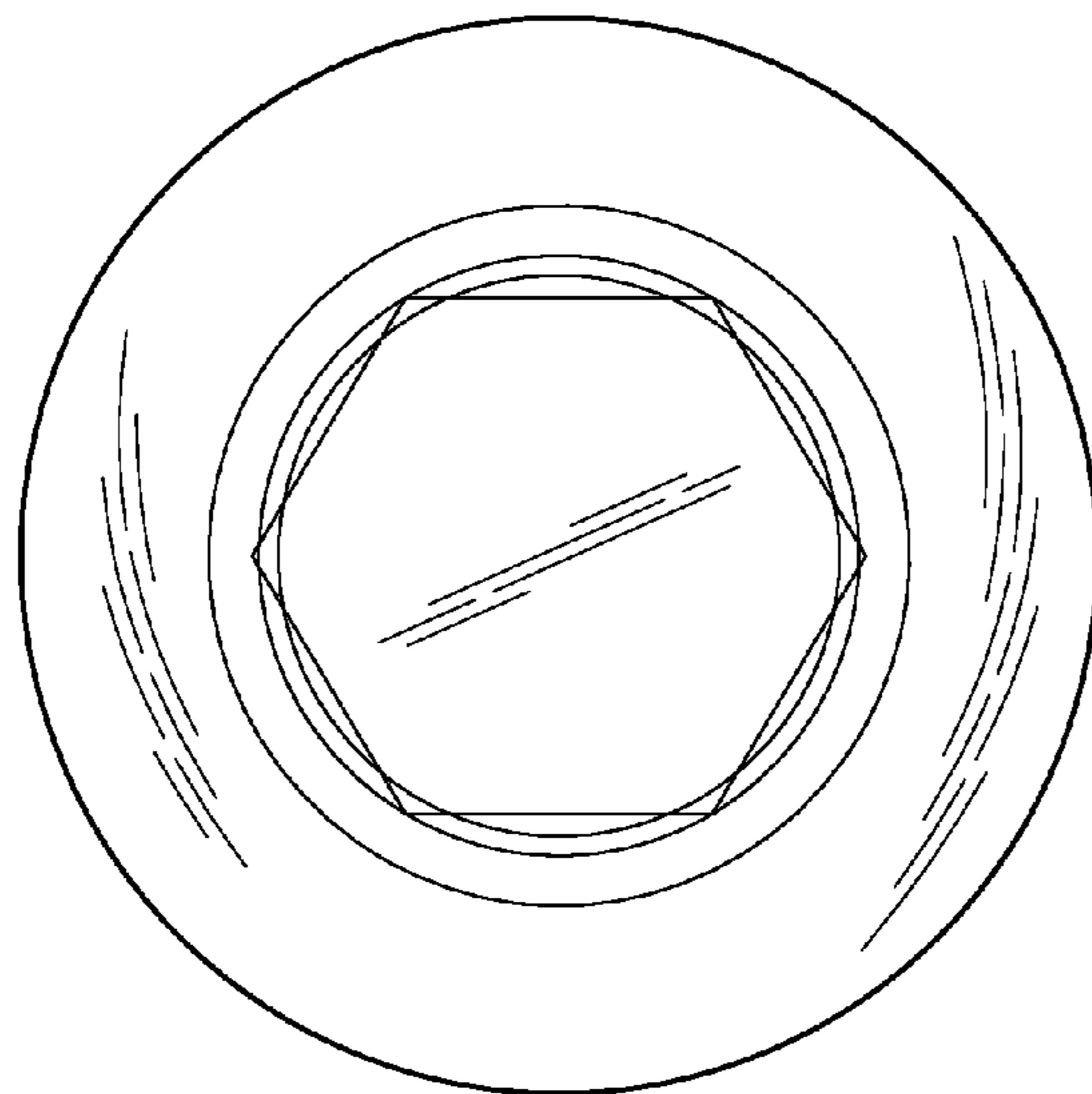


FIG. 2

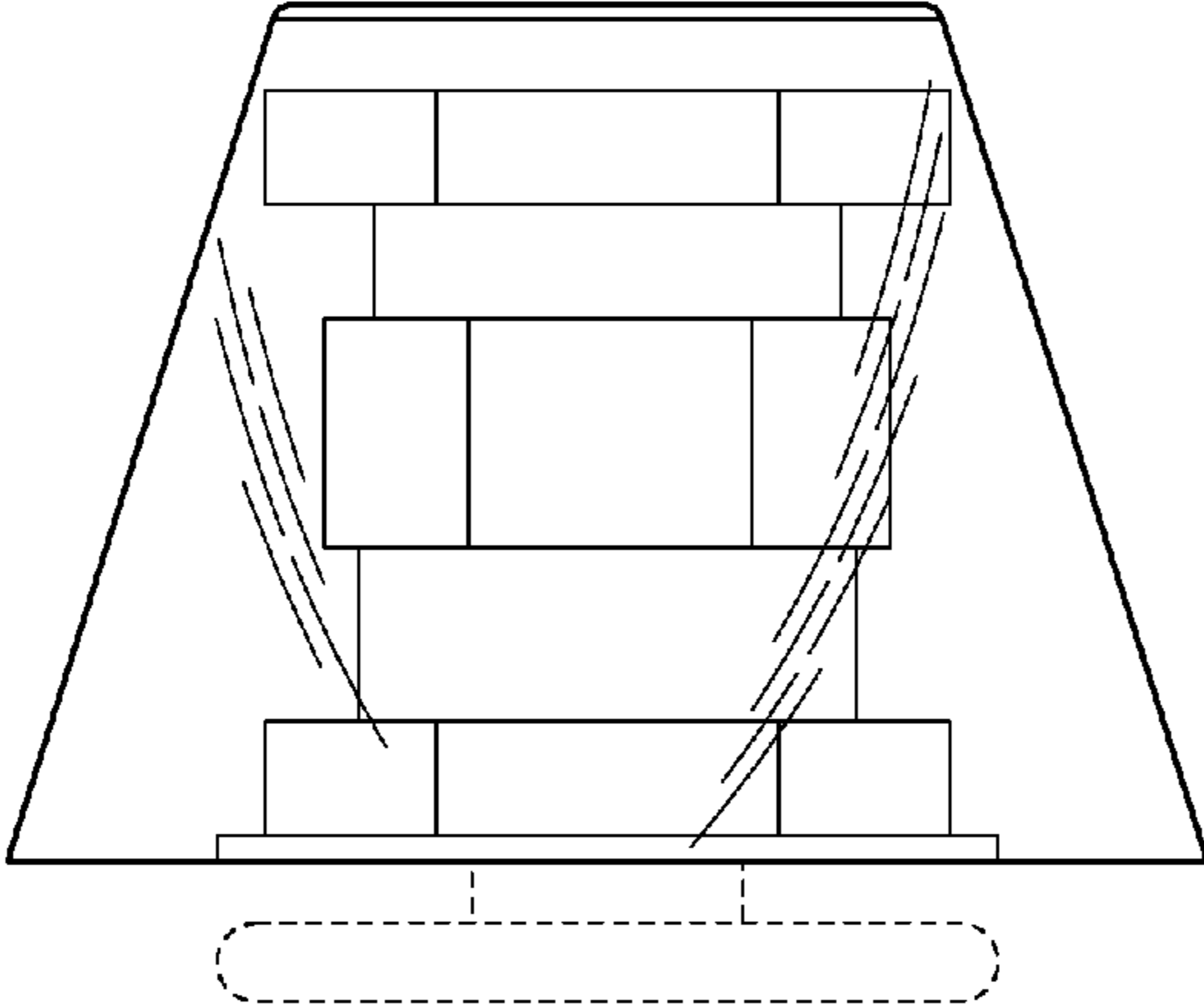


FIG. 3

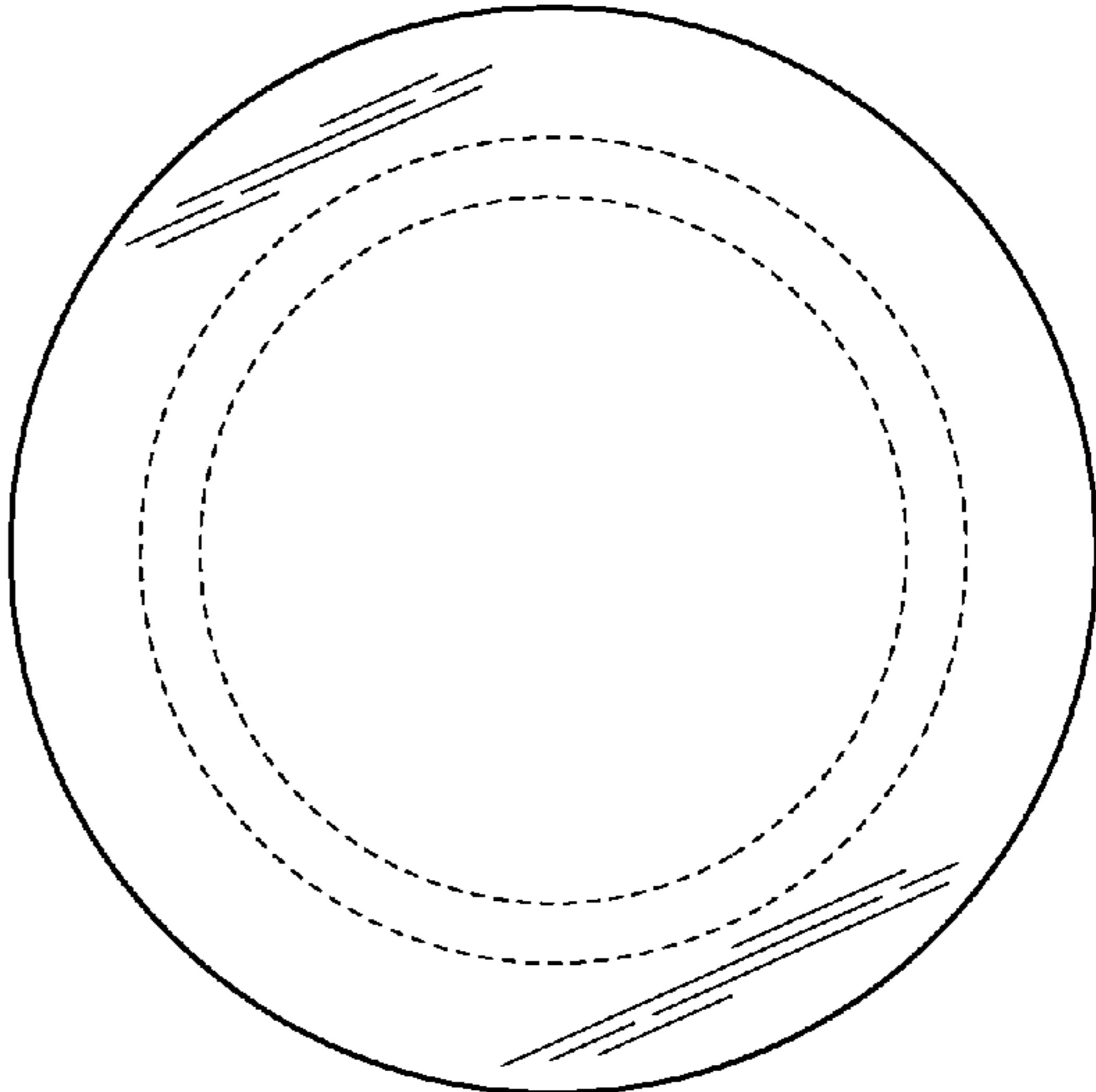


FIG. 4

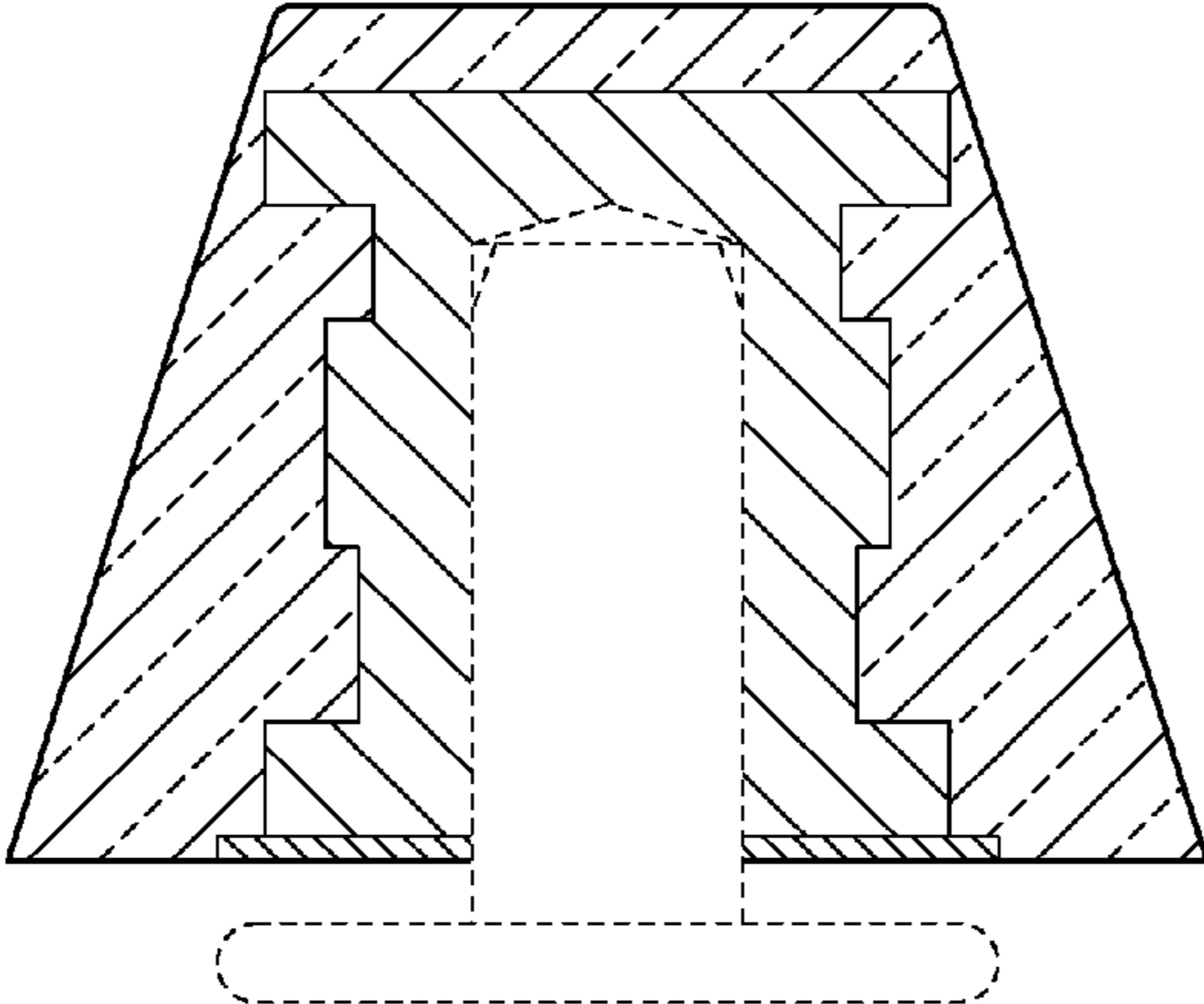


FIG. 5