



US00D712301S

(12) **United States Design Patent**
Tipp et al.

(10) **Patent No.:** **US D712,301 S**

(45) **Date of Patent:** **** Sep. 2, 2014**

(54) **HEART-SHAPED LOCKET**

(71) Applicant: **Orgami Owl, LLC**, Chandler, AZ (US)

(72) Inventors: **David A. Tipp**, Chandler, AZ (US);
Christian H. Weems, Gilbert, AZ (US)

(73) Assignee: **Origami Owl, LLC**, Chandler, AZ (US)

(**) Term: **14 Years**

(21) Appl. No.: **29/477,098**

(22) Filed: **Dec. 19, 2013**

(51) **LOC (10) Cl.** **11-01**

(52) **U.S. Cl.**
USPC **D11/81**; D11/56

(58) **Field of Classification Search**
CPC A44C 25/001; A44C 25/007; A44C 17/02;
A44C 15/005; A44C 15/0055; A44C 1/00
USPC D11/1, 2, 7, 8, 43, 44, 47, 48, 56,
D11/79-86, 103, 26-39; 63/18, 19, 20,
63/26-28; D3/211; D8/347

See application file for complete search history.

(56) **References Cited**

U.S. PATENT DOCUMENTS

| | | | | |
|----------------|---------|------------------|-------|---------|
| D140,548 S * | 3/1945 | Klein | | D11/26 |
| D156,425 S * | 12/1949 | Katz | | D11/56 |
| D245,591 S * | 8/1977 | Rieger et al. | | D11/44 |
| D263,571 S * | 3/1982 | Beier | | D11/80 |
| D263,813 S * | 4/1982 | Buschmann | | D11/83 |
| D333,447 S * | 2/1993 | Butler, Jr. | | D11/80 |
| D375,702 S * | 11/1996 | Regan | | D11/81 |
| D395,842 S * | 7/1998 | Kenna | | D11/81 |
| 6,324,868 B1 * | 12/2001 | Chen et al. | | 63/1.14 |
| D455,670 S * | 4/2002 | Kurylo | | D11/81 |
| 6,804,977 B1 * | 10/2004 | Grabelle | | 63/3.1 |
| D528,036 S * | 9/2006 | Pang | | D11/103 |
| D553,539 S * | 10/2007 | Arasheben et al. | | D11/83 |
| D556,631 S * | 12/2007 | Smyth | | D11/211 |
| D575,667 S * | 8/2008 | Mudrick | | D11/103 |
| D589,391 S * | 3/2009 | Sandberg | | D11/86 |
| D598,803 S * | 8/2009 | Momjian | | D11/81 |
| D599,244 S * | 9/2009 | Momjian | | D11/81 |
| D602,809 S * | 10/2009 | Castaline et al. | | D11/103 |

| | | | | |
|--------------|---------|-----------------|-------|---------|
| D619,353 S * | 7/2010 | Ash | | D3/208 |
| D620,828 S * | 8/2010 | Djordjevic | | D11/1 |
| D620,829 S * | 8/2010 | Djordjevic | | D11/1 |
| D620,830 S * | 8/2010 | Djordjevic | | D11/1 |
| D621,292 S * | 8/2010 | Phillips | | D11/56 |
| D628,934 S * | 12/2010 | Fernandez Rives | | D11/79 |
| D680,462 S * | 4/2013 | Dholakiya | | D11/1 |
| D690,617 S * | 10/2013 | Lawlor et al. | | D11/103 |

OTHER PUBLICATIONS

[Online] <http://www.origamiowl.com/PWPShowProduct.ashx?ProgramProductId=4175&ProgramCategoryId=5>.*

* cited by examiner

Primary Examiner — Garth Rademaker

Assistant Examiner — Melanie Pellegrini

(74) *Attorney, Agent, or Firm* — The Noblitt Group, PLLC

(57) **CLAIM**

The ornamental design for a heart-shaped locket, as shown and described.

DESCRIPTION

FIG. 1 is a perspective view of a heart-shaped locket;
 FIG. 2 is a front view the heart-shaped locket shown in FIG. 1;
 FIG. 3 is a back view the heart-shaped locket shown in FIG. 1;
 FIG. 4 is a right side view of the heart-shaped locket shown in FIG. 1;
 FIG. 5 is a left side view of the heart-shaped locket shown in FIG. 1;
 FIG. 6 is a top view of the heart-shaped locket shown in FIG. 1;
 FIG. 7 is bottom view the heart-shaped locket shown in FIG. 1;
 FIG. 8 is an additional perspective view of the heart-shaped locket shown in FIG. 1;
 FIG. 9 is a perspective view of an additional embodiment of a heart-shaped locket;
 FIG. 10 is a front view the heart-shaped locket shown in FIG. 9;

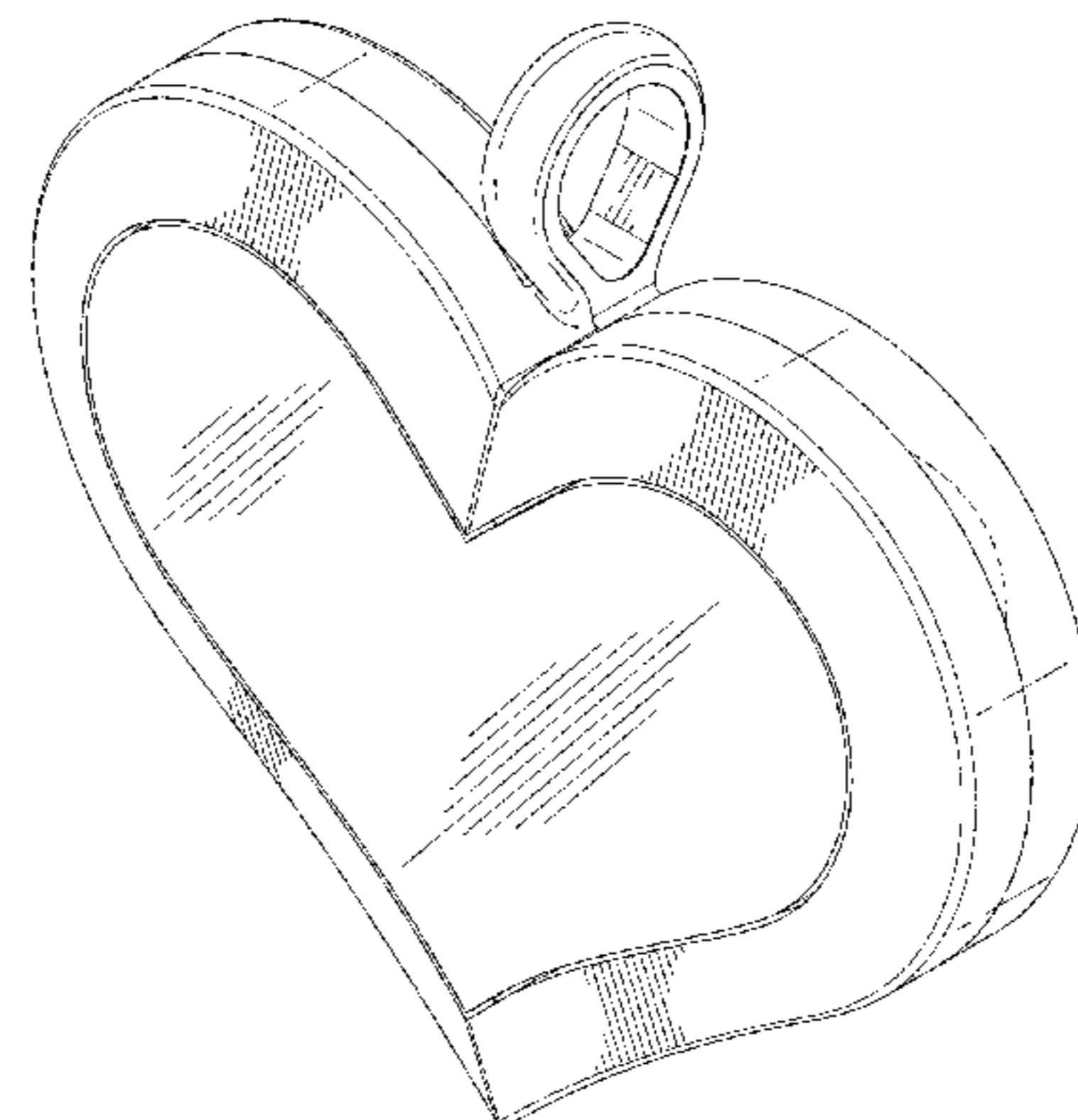
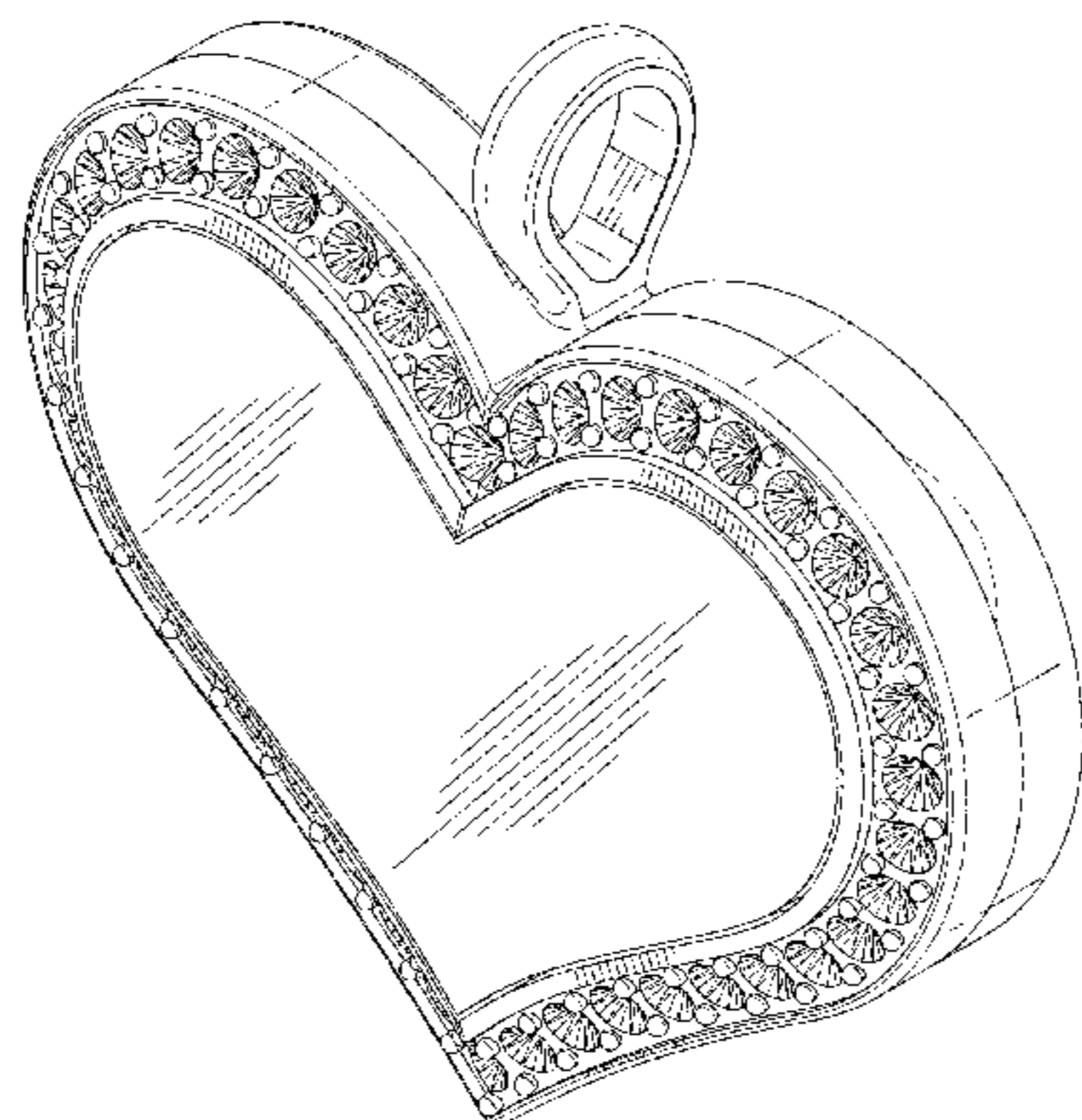


FIG. **11** is a back view the heart-shaped locket shown in FIG. **9**;

FIG. **12** is a right side view the heart-shaped locket shown in FIG. **9**;

FIG. **13** is a left side view of the heart-shaped locket shown in FIG. **9**;

FIG. **14** is a top view of the heart-shaped locket shown in FIG. **9**;

FIG. **15** is a bottom view of the heart-shaped locket shown in FIG. **9**;

FIG. **16** is an additional perspective view of the heart-shaped locket shown in FIG. **9**;

FIG. **17** is a perspective view of an additional embodiment of a heart-shaped locket;

FIG. **18** is a front view the heart-shaped locket shown in FIG. **17**;

FIG. **19** is a back view the heart-shaped locket shown in FIG. **17**;

FIG. **20** is a right side view the heart-shaped locket shown in FIG. **17**;

FIG. **21** is a left side view of the heart-shaped locket shown in FIG. **17**;

FIG. **22** is a top view of the heart-shaped locket shown in FIG. **17**;

FIG. **23** is a bottom view of the heart-shaped locket shown in FIG. **17**; and,

FIG. **24** is an additional perspective view of the heart-shaped locket shown in FIG. **17**.

The broken lines shown in the drawings illustrate portions of the heart-shaped locket that form no part of the claimed design.

1 Claim, 18 Drawing Sheets

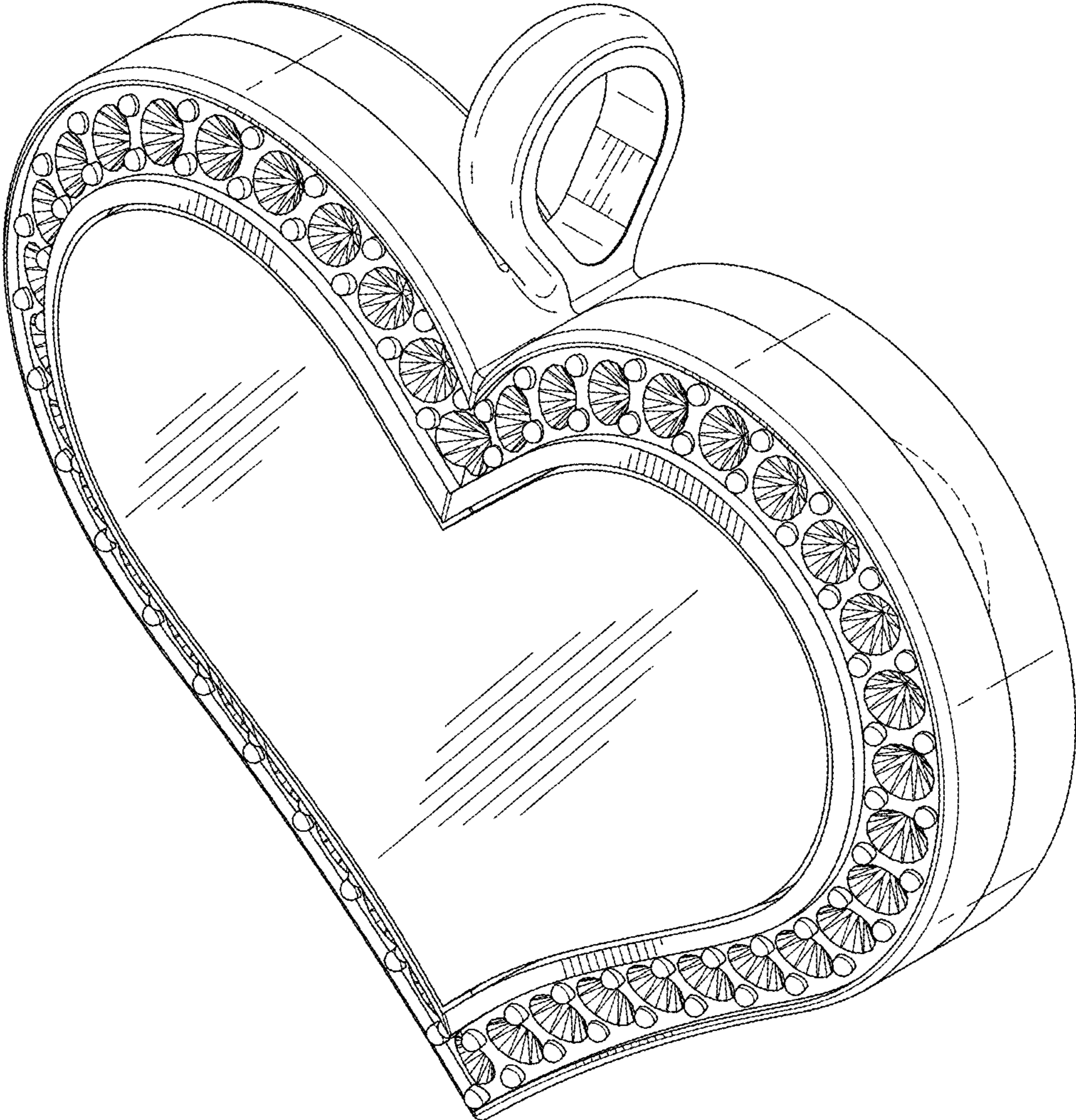


FIG. 1

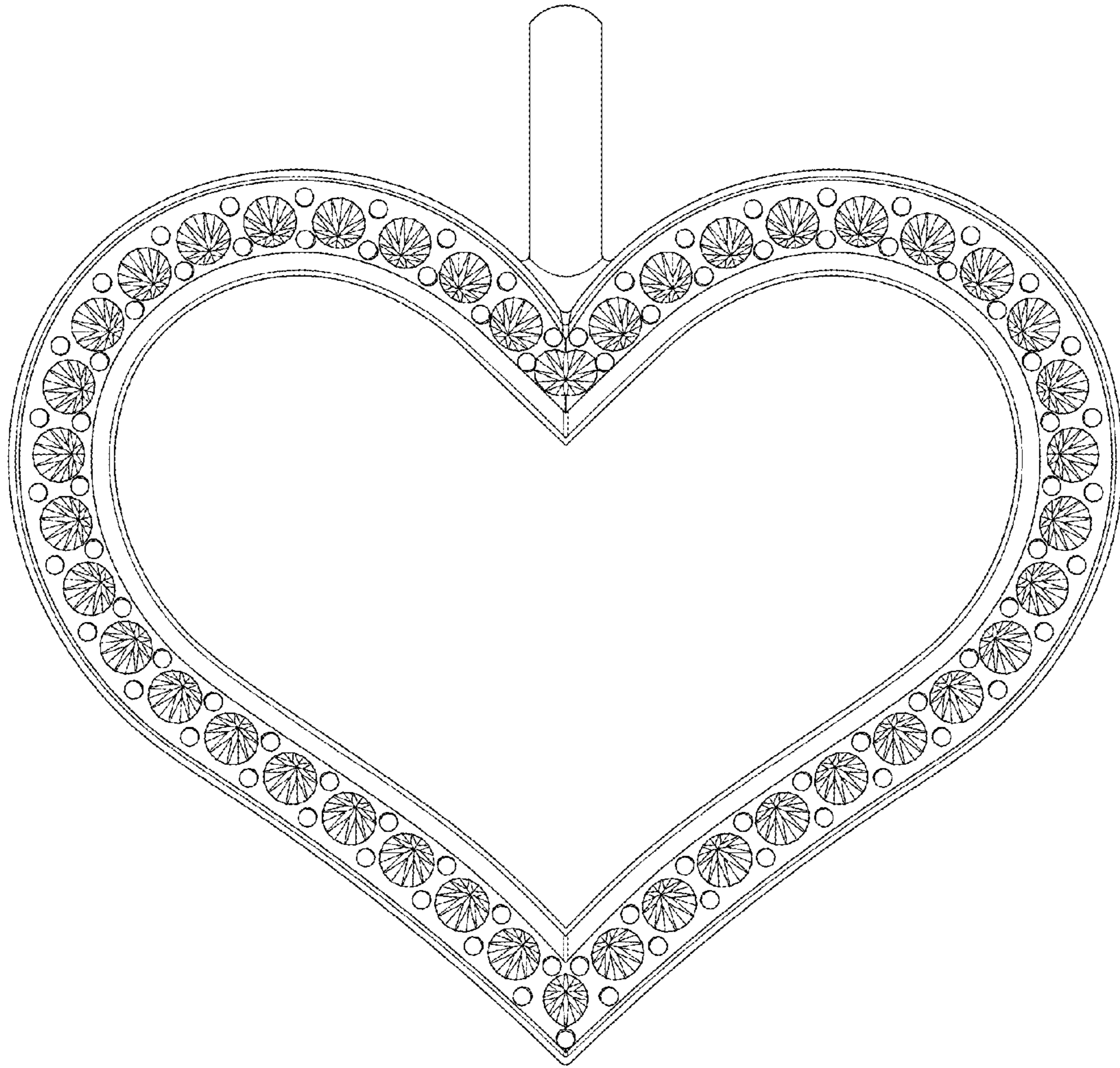


FIG. 2

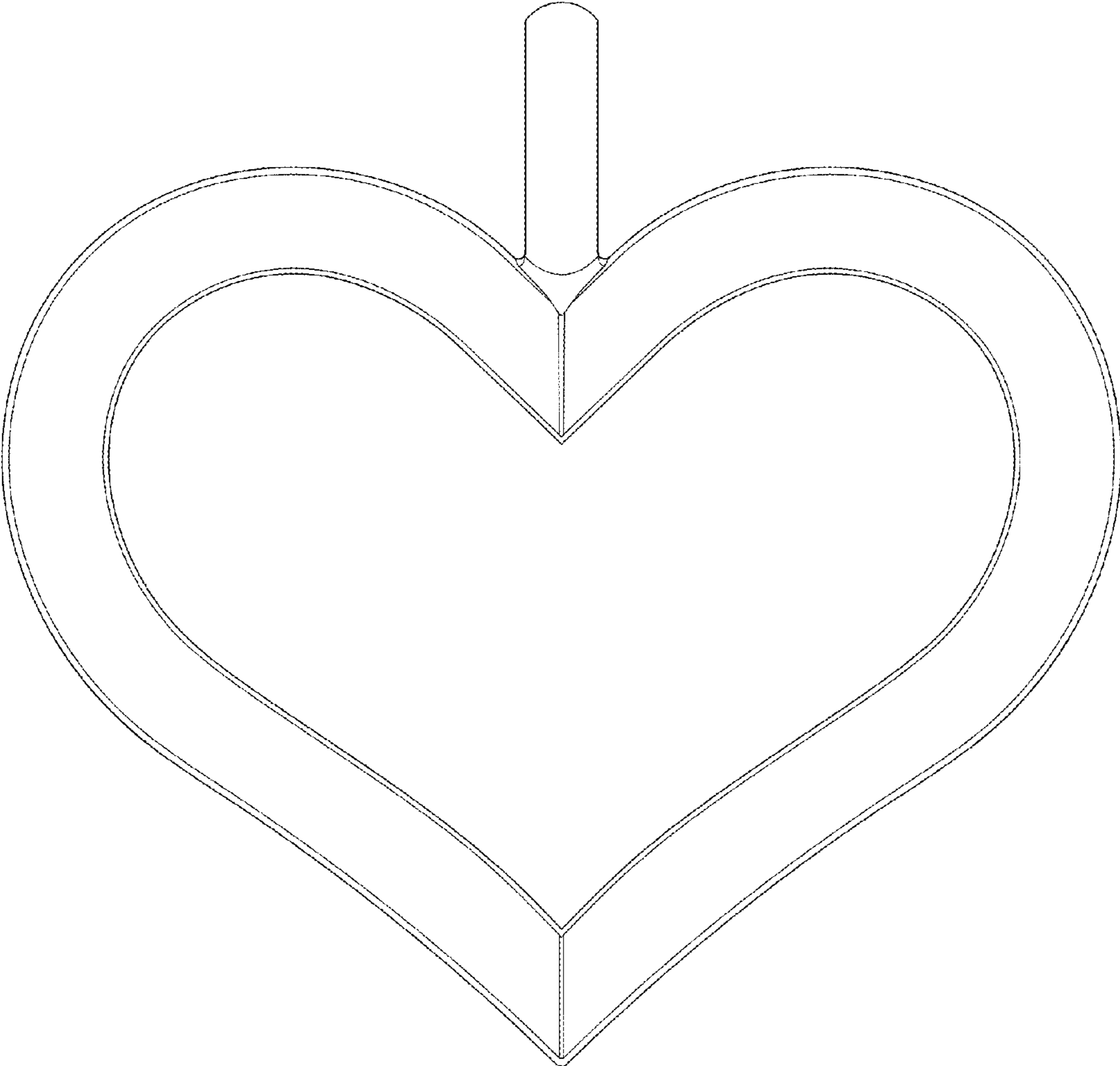


FIG. 3

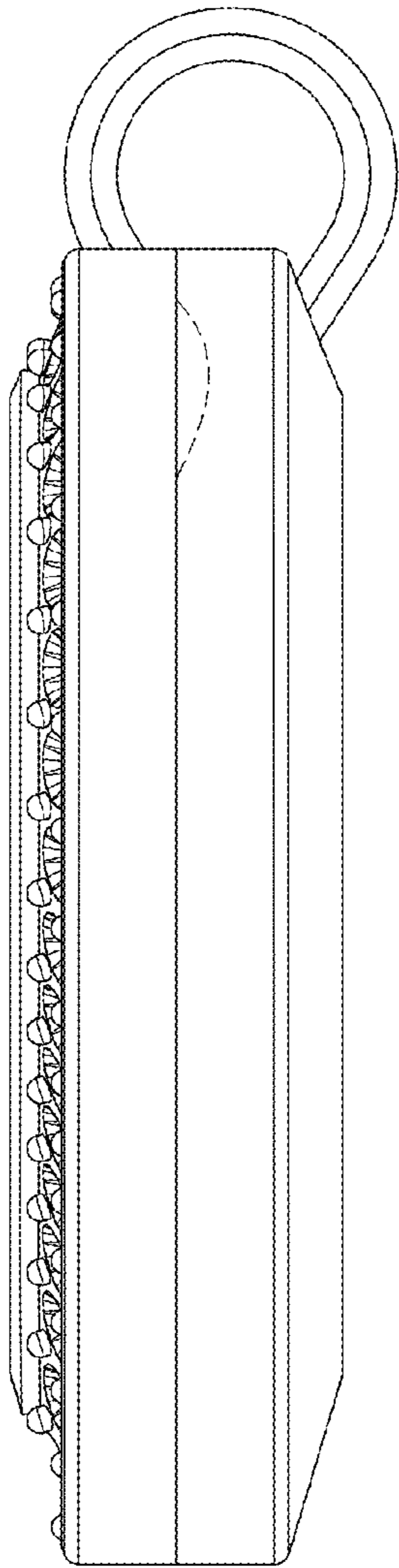


FIG. 4

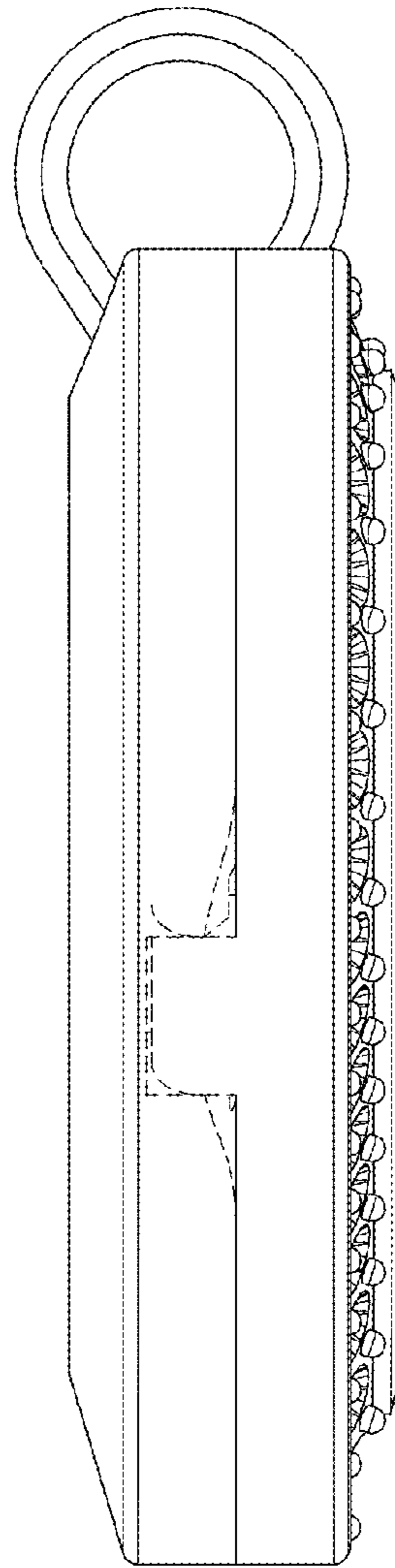


FIG. 5

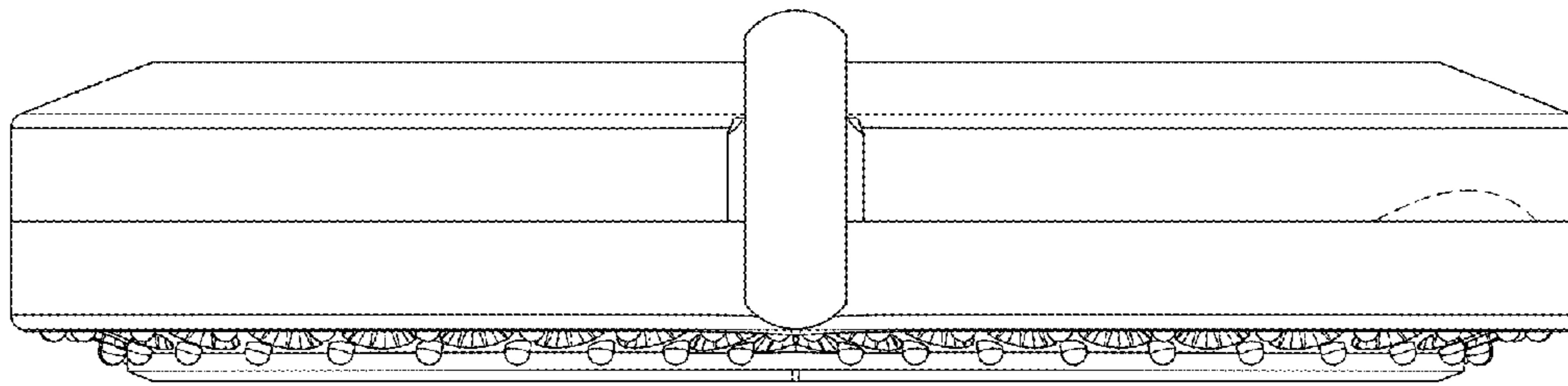


FIG. 6

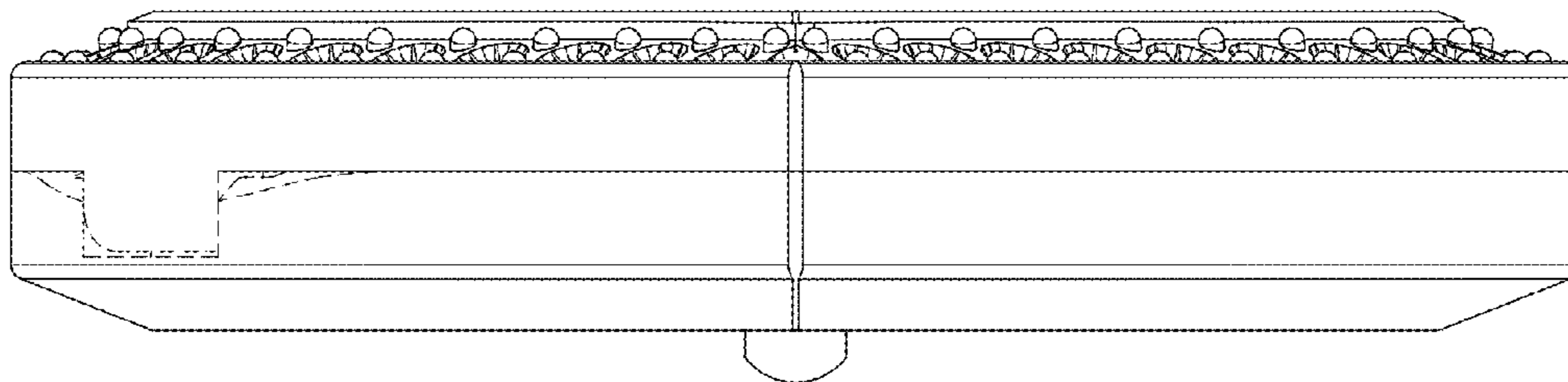


FIG. 7

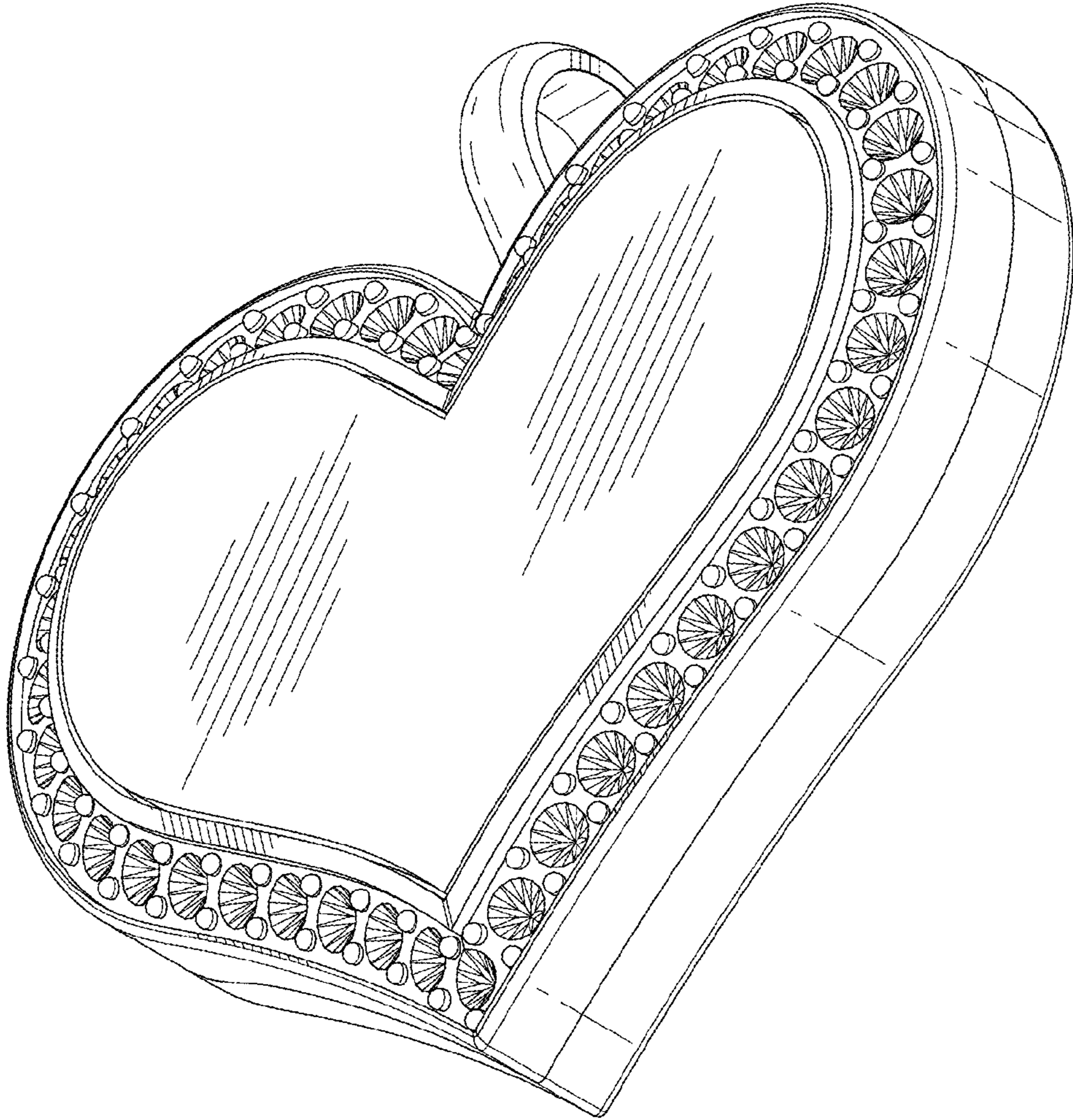


FIG. 8

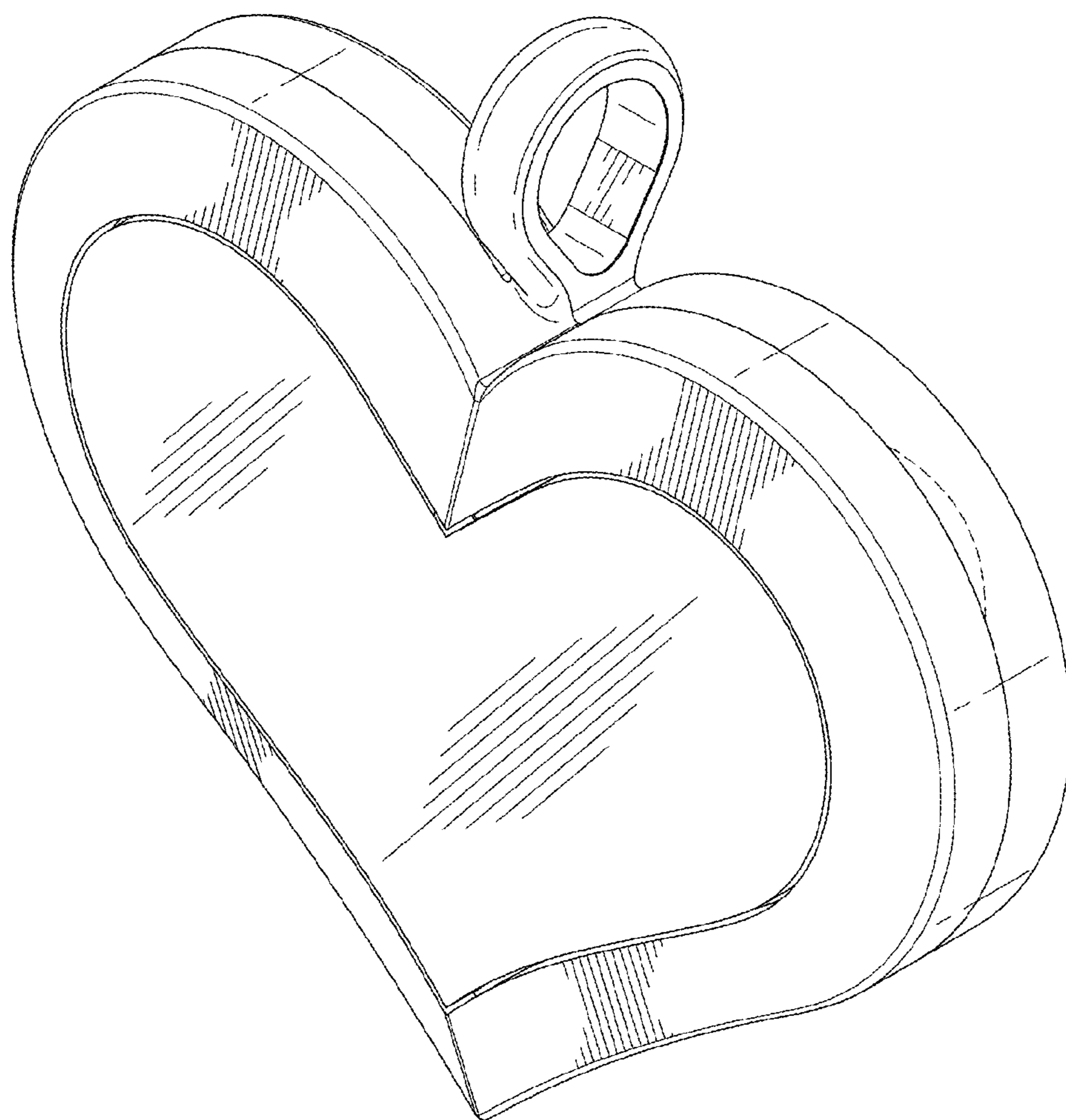


FIG. 9

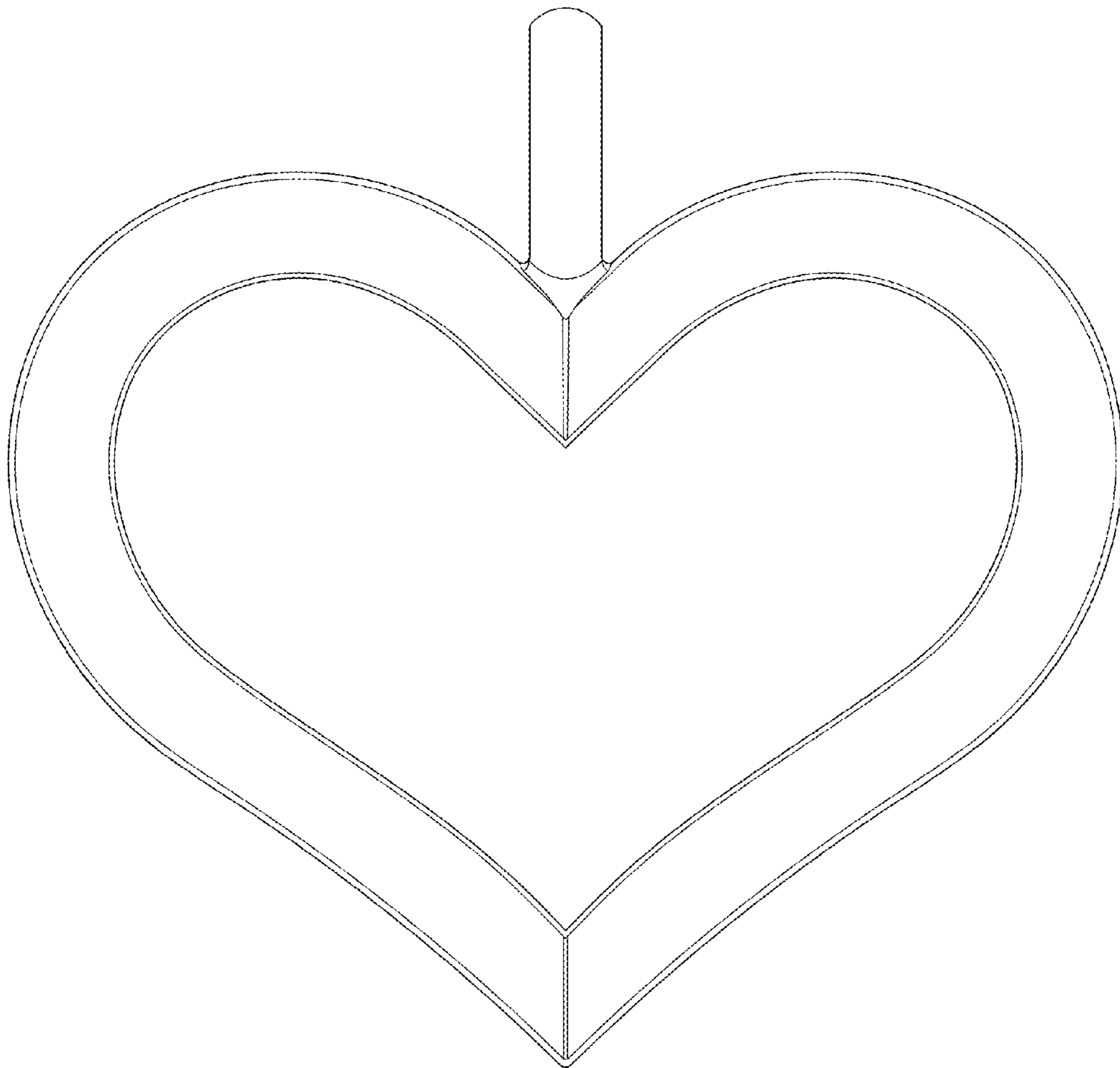


FIG. 10

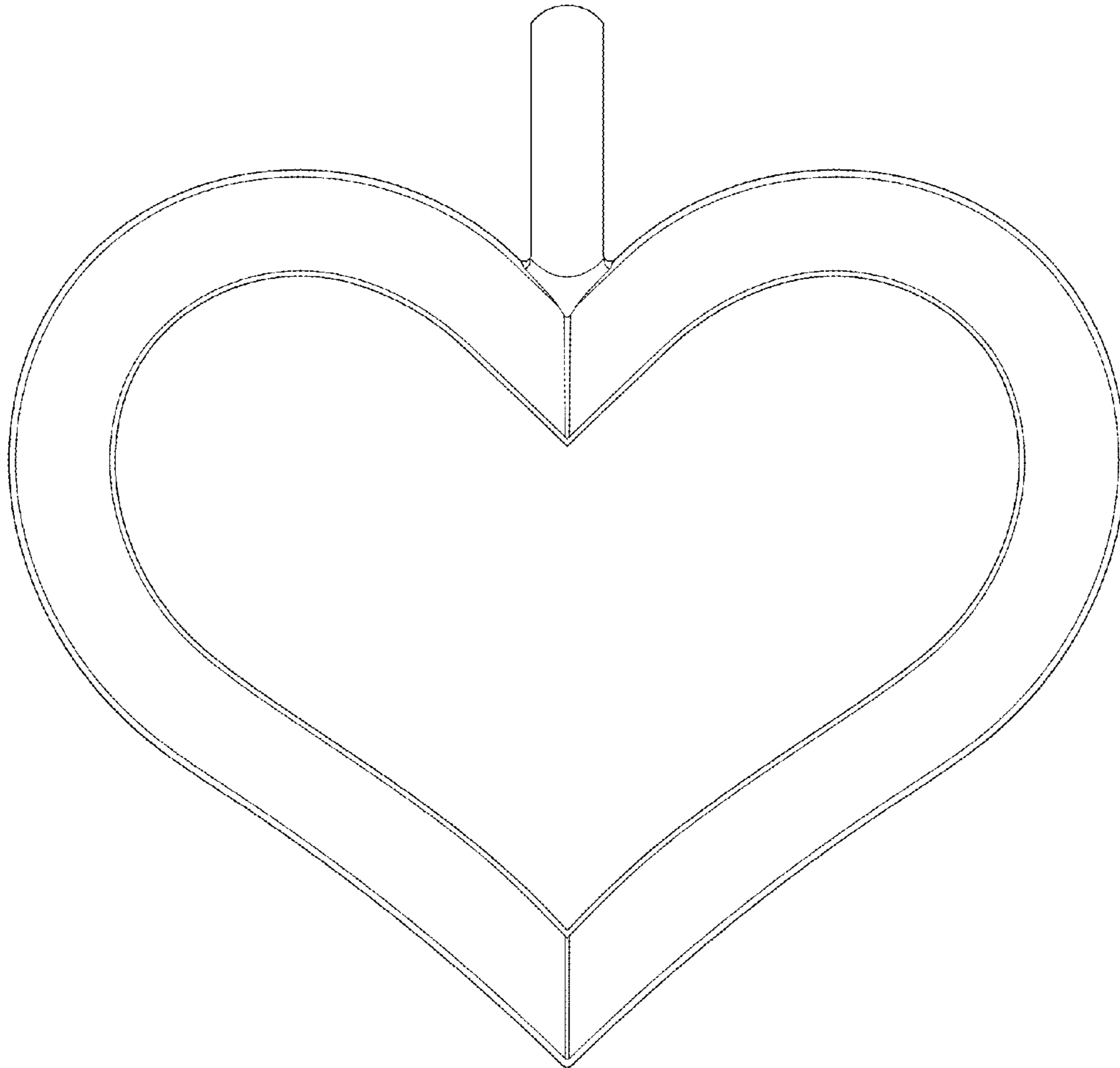


FIG. 11

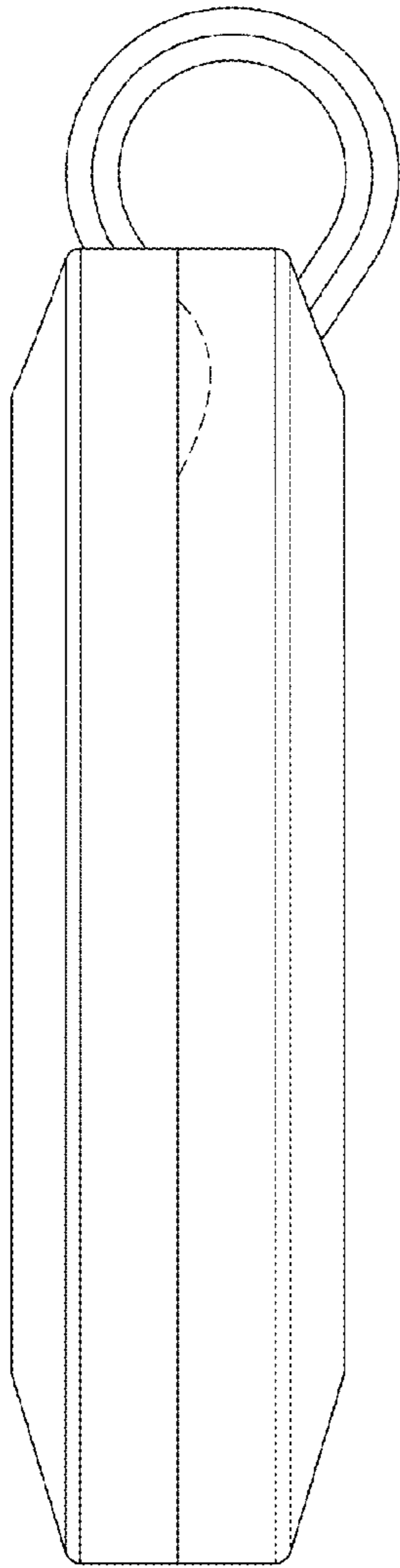


FIG. 12

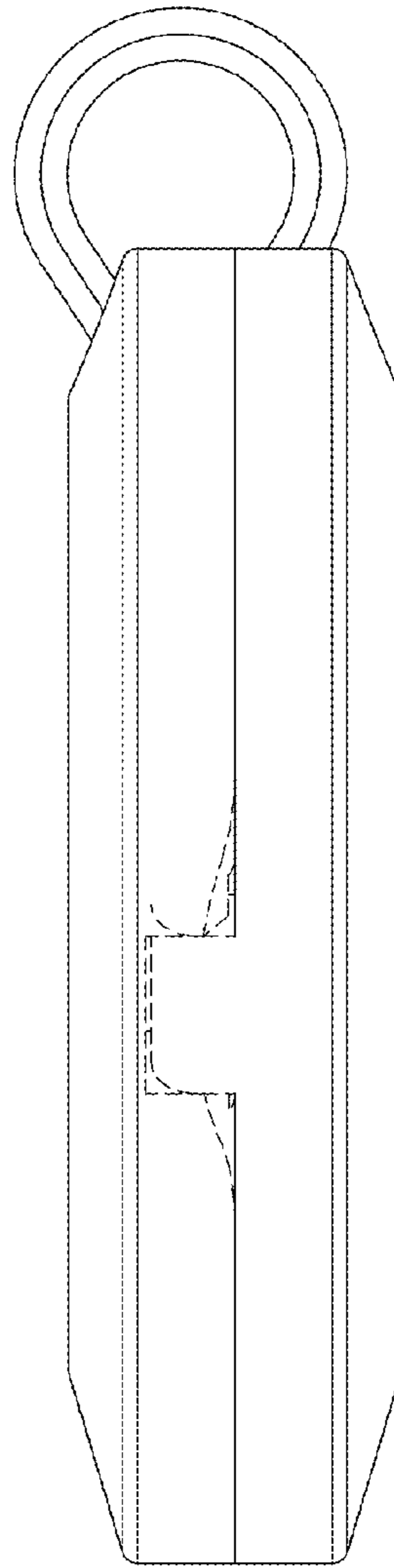


FIG. 13

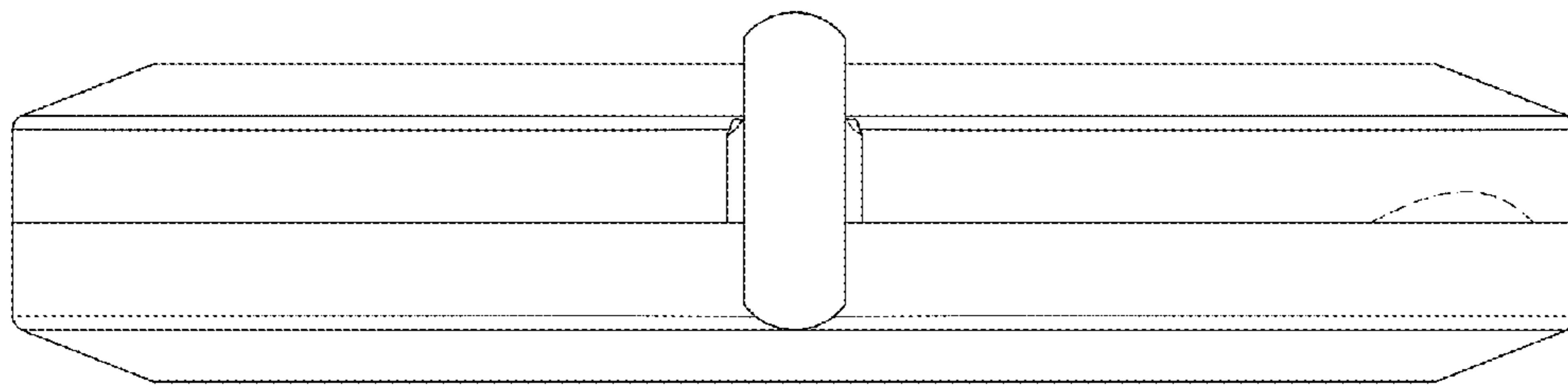


FIG. 14

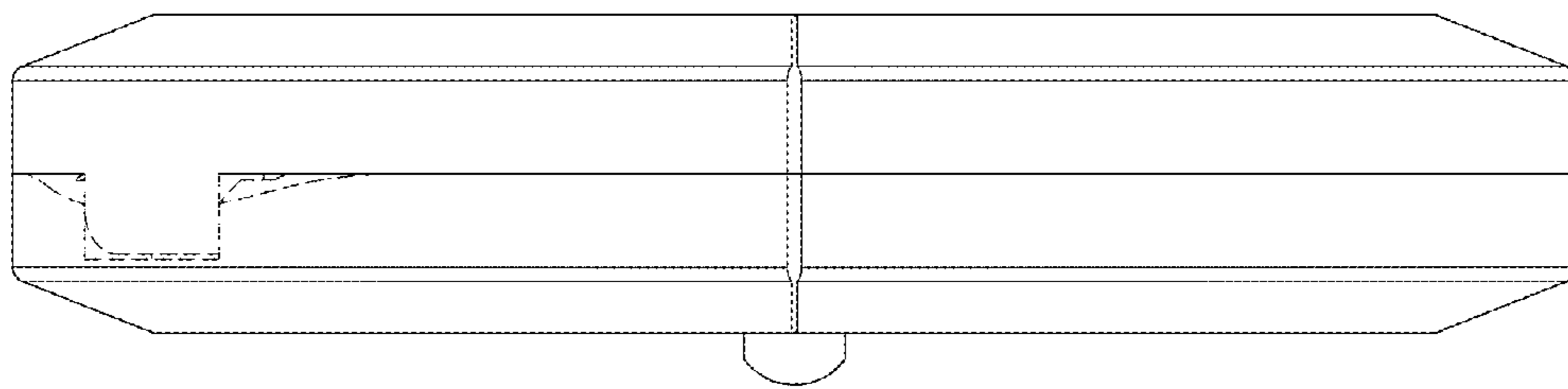


FIG. 15

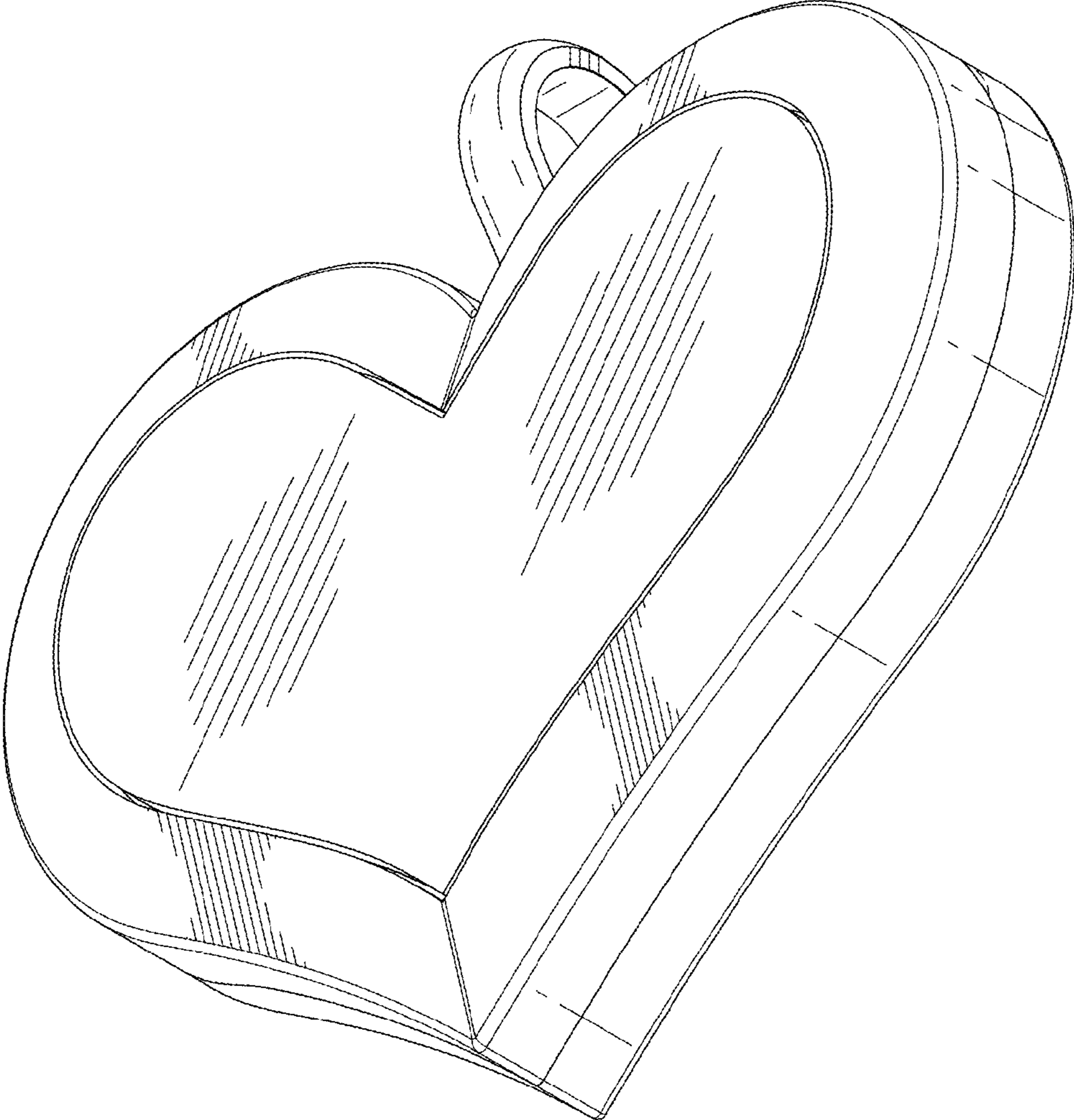


FIG. 16

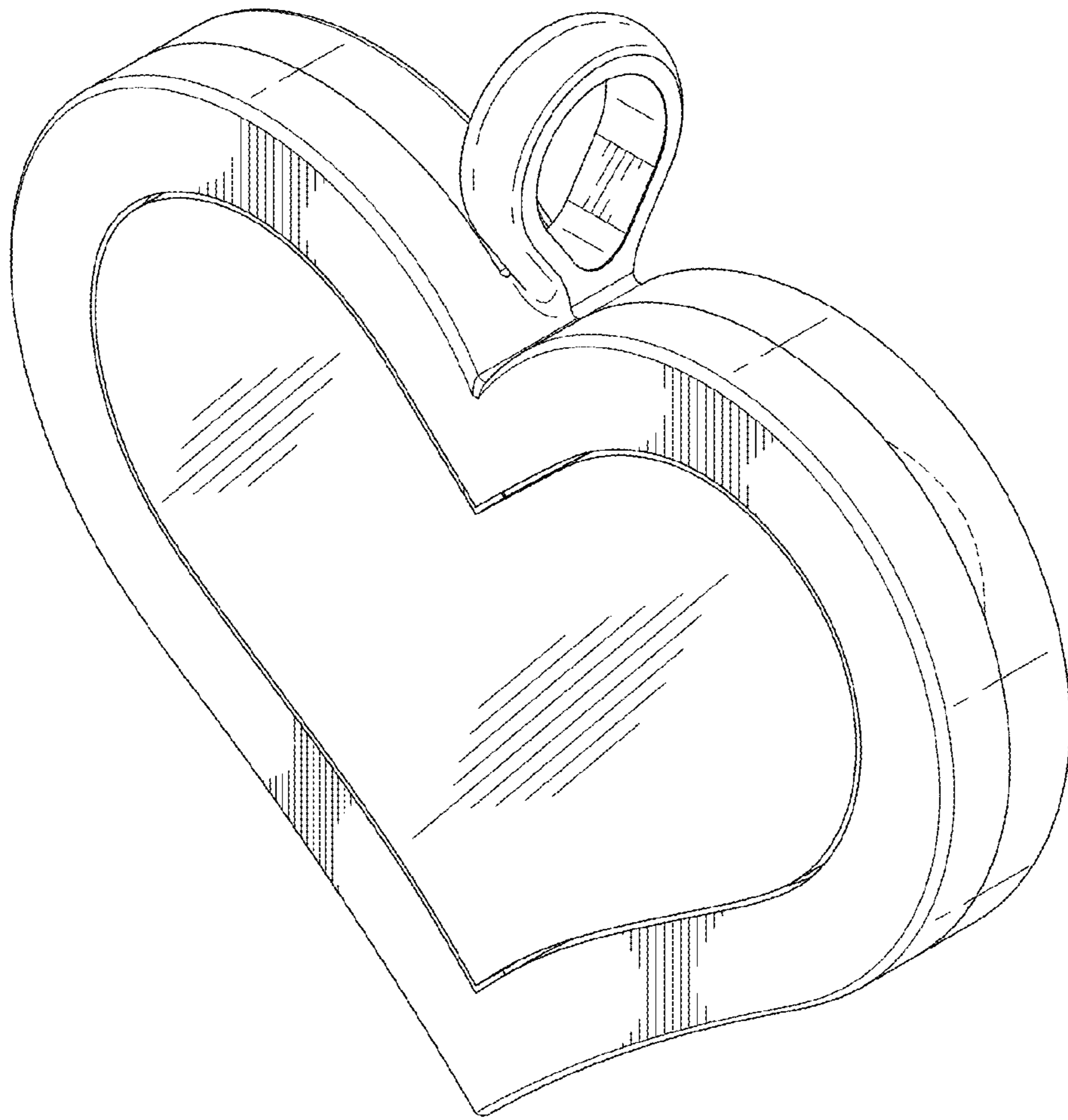


FIG. 17

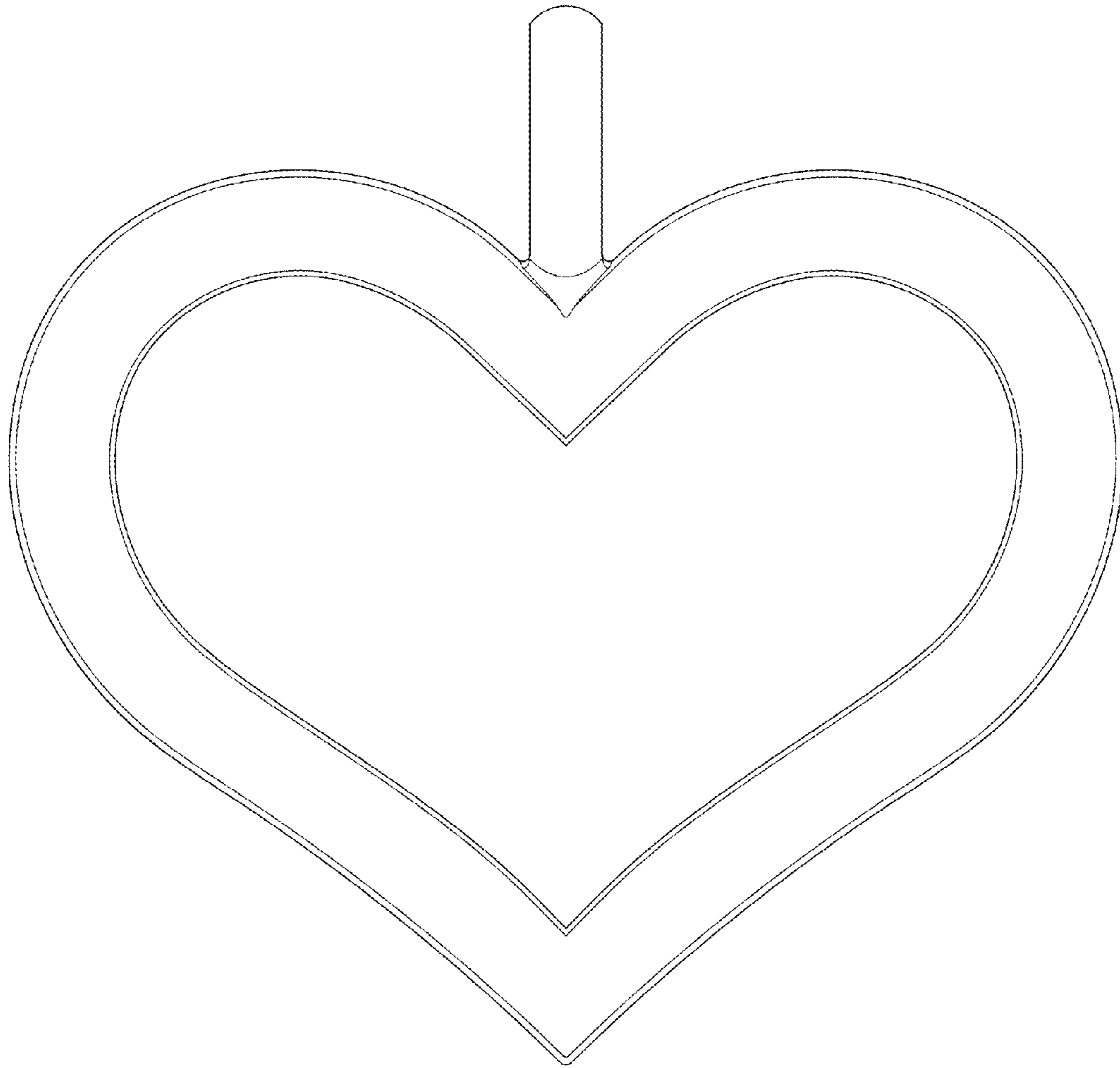


FIG. 18

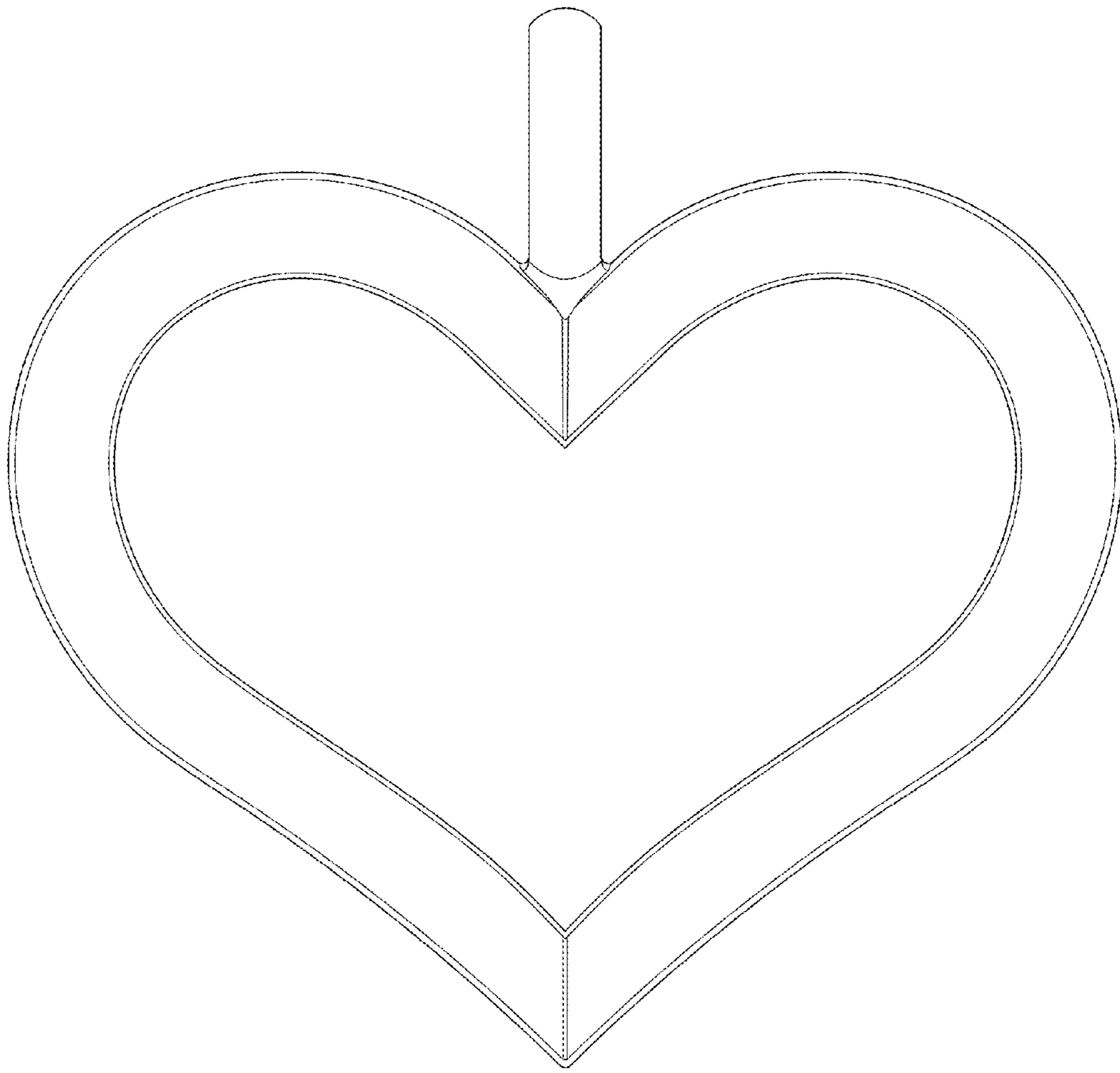


FIG. 19

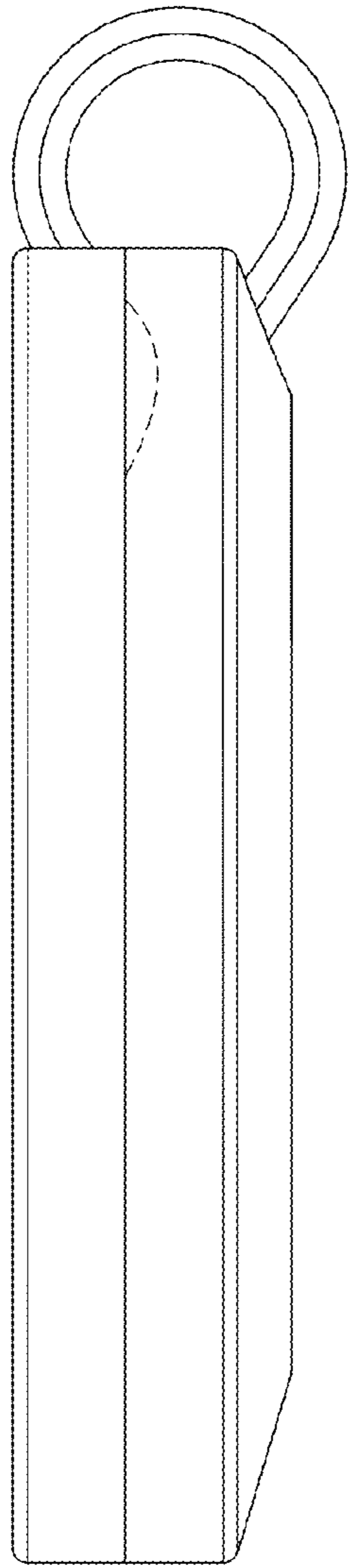


FIG. 20

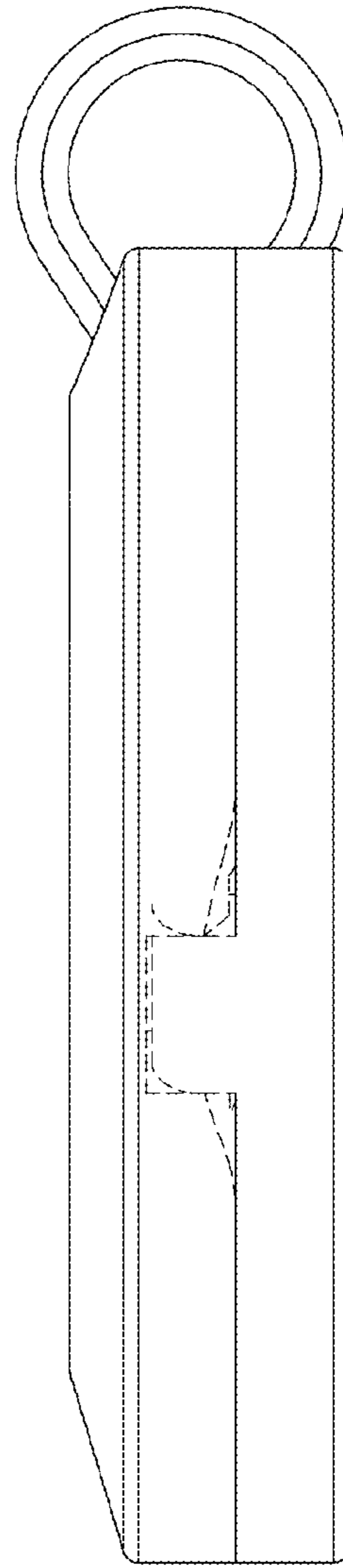


FIG. 21

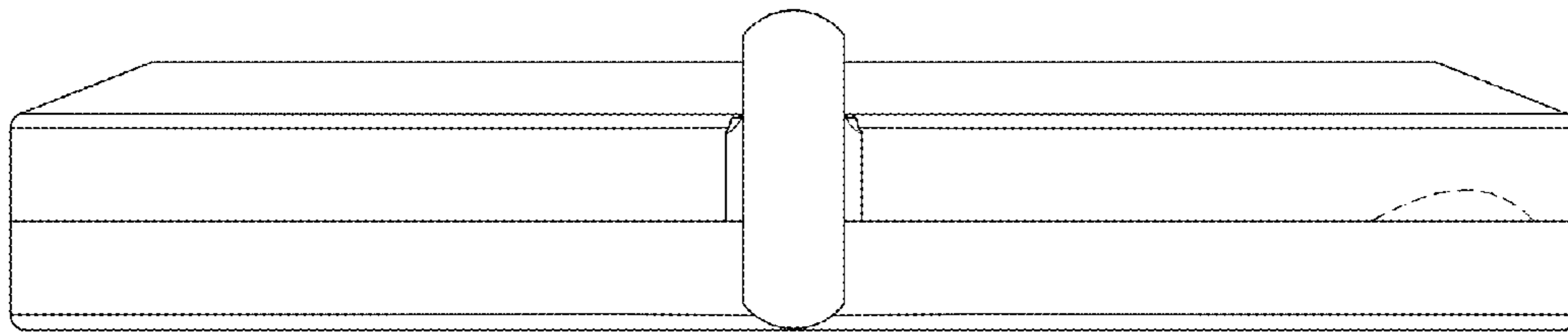


FIG. 22

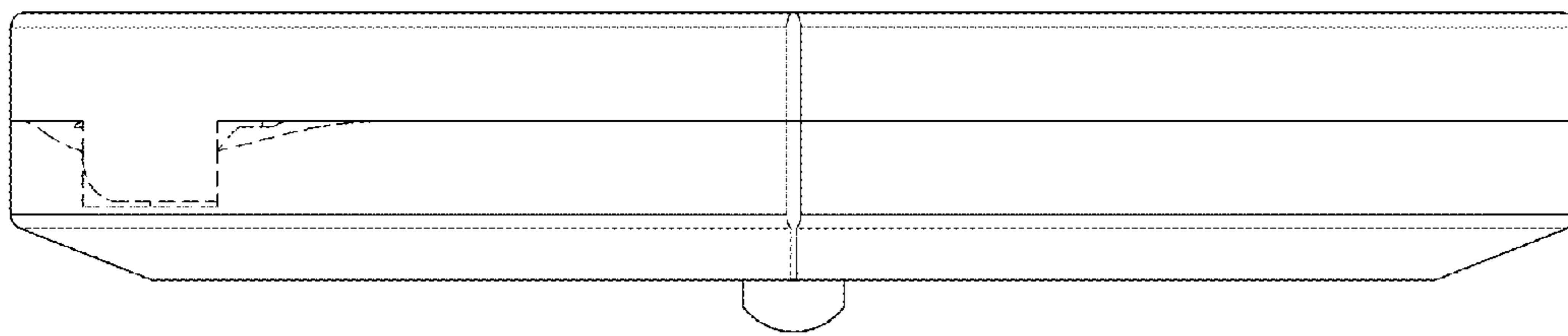


FIG. 23

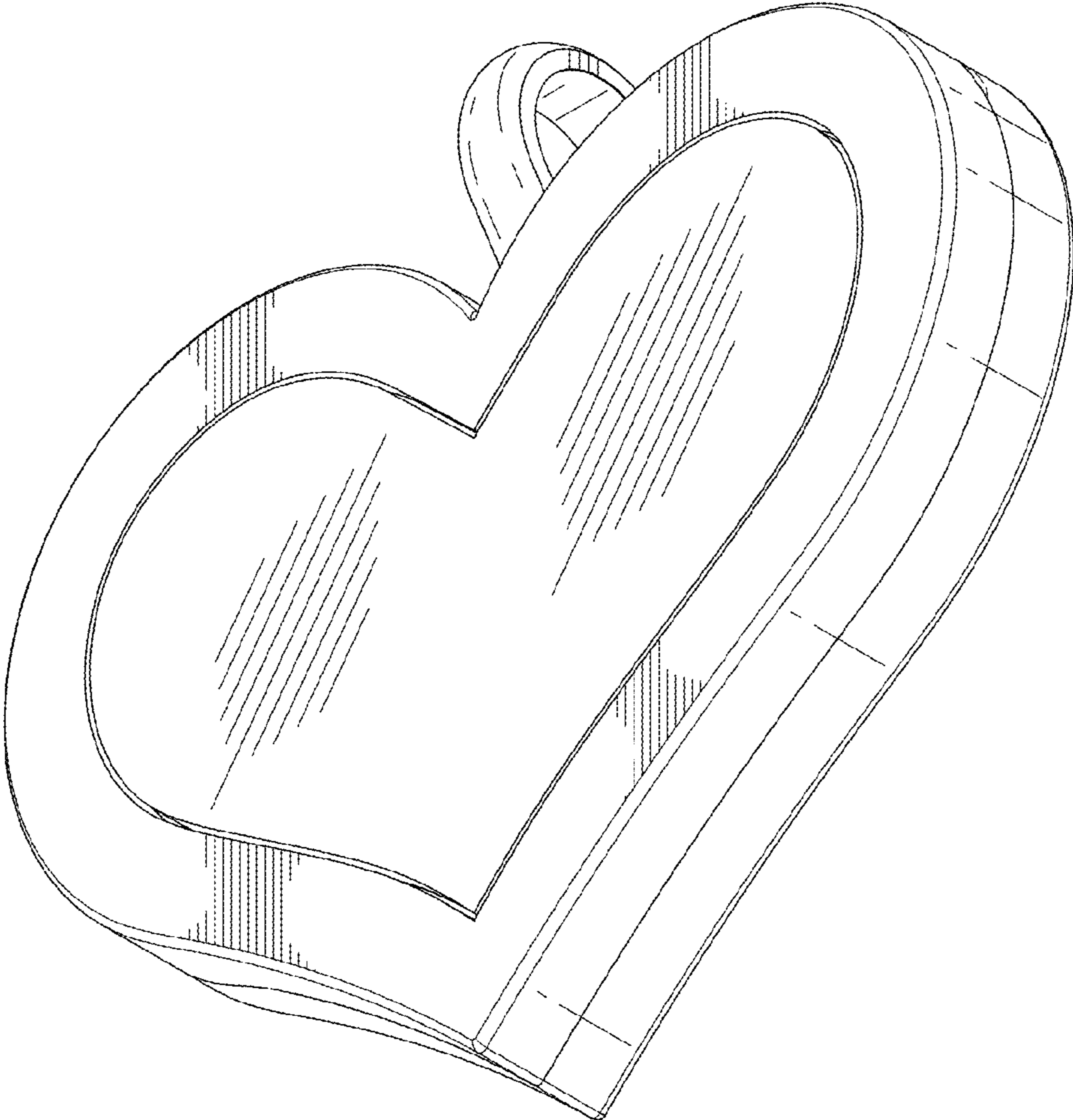


FIG. 24