

US00D712298S

(12) **United States Design Patent**
Taylor-Cattapan

(10) **Patent No.:** **US D712,298 S**
(45) **Date of Patent:** **** Sep. 2, 2014**

(54) **CUSTOMIZABLE PENDANT**

FOREIGN PATENT DOCUMENTS

(71) Applicant: **Mary Catherine Taylor-Cattapan**,
Vernon Hills, IL (US)

WO 2011022414 2/2001

(72) Inventor: **Mary Catherine Taylor-Cattapan**,
Vernon Hills, IL (US)

(73) Assignee: **Studio66, LLC**, Vernon Hills, IL (US)

(**) Term: **14 Years**

(21) Appl. No.: **29/449,697**

(22) Filed: **Mar. 15, 2013**

(51) **LOC (10) Cl.** **11-01**

(52) **U.S. Cl.**
USPC **D11/79**

(58) **Field of Classification Search**
USPC D11/79-86, 91, 92, 40-43, 1, 2, 7, 8,
D11/87, 88, 95, 93; 63/1.11, 1.14, 1.15,
63/18-20, 26-28, 12, 13, 23, 40, 41, 900
See application file for complete search history.

OTHER PUBLICATIONS

[Online] ArtClix Smooth Round Pendant Base. https://www.etsy.com/listing/185715115/artclix-25-pack-smooth-round-pendant?ref=shop_home_feat_2. Retrieved Jun. 11, 2014.*
[Online] New Artclix Button Jewelry for 1. <http://peoplepowerpress.org/pages/new-artclix-button-jewelry-for-1-button-makers>. Retrieved Jun. 11, 2014.*
[Online] Magnabilities Review and Giveaway. <http://www.heckofabunch6.com/2012/04/magnabilities-review-and-giveaway.html>. Posted Apr. 4, 2012. Retrieved Jun. 11, 2014.*
PCT International Search Report with Written Opinion (PCT/US2010/045778, dated Sep. 30, 2010, published as WO2011/022414 on Feb. 24, 2011).

* cited by examiner

Primary Examiner — Garth Rademaker
Assistant Examiner — Melanie Pellegrini
(74) *Attorney, Agent, or Firm* — McAndrews, Held & Malloy, Ltd.

(56) **References Cited**

U.S. PATENT DOCUMENTS

3,509,734	A	5/1970	Lederer	
D266,555	S *	10/1982	McNally	D11/80
D311,504	S *	10/1990	De Frahan	D11/79
5,414,948	A *	5/1995	Kudo	40/651
5,806,346	A	9/1998	Schlinger et al.	
D456,986	S *	5/2002	Truisi	D3/208
6,557,377	B1	5/2003	Massari	
D538,196	S *	3/2007	Lee	D11/79
D615,447	S *	5/2010	Raum	D11/79
D635,483	S *	4/2011	Charles et al.	D11/79
D653,582	S *	2/2012	Smith	D11/96
8,371,141	B2 *	2/2013	Richmond	63/29.2
D695,643	S *	12/2013	Wolff	D11/79
2002/0112322	A1	8/2002	Hoffman	
2002/0116794	A1	8/2002	Hoffman	
2006/0048543	A1	3/2006	Kessler	
2010/0101274	A1 *	4/2010	Worth	63/40
2013/0263625	A1 *	10/2013	Taylor-Cattapan	63/4

(57) **CLAIM**

The ornamental design for a customizable pendant, substantially as shown and described.

DESCRIPTION

FIG. 1 is a perspective view of a customizable pendant showing my new design;
FIG. 2 is a top plan view thereof;
FIG. 3 is a front elevational view thereof;
FIG. 4 is a bottom plan view thereof;
FIG. 5 is a side elevational view thereof; and,
FIG. 6 is a rear elevational view thereof.
The broken lines shown in the drawings illustrate environment and form no part of the claimed design.

1 Claim, 1 Drawing Sheet

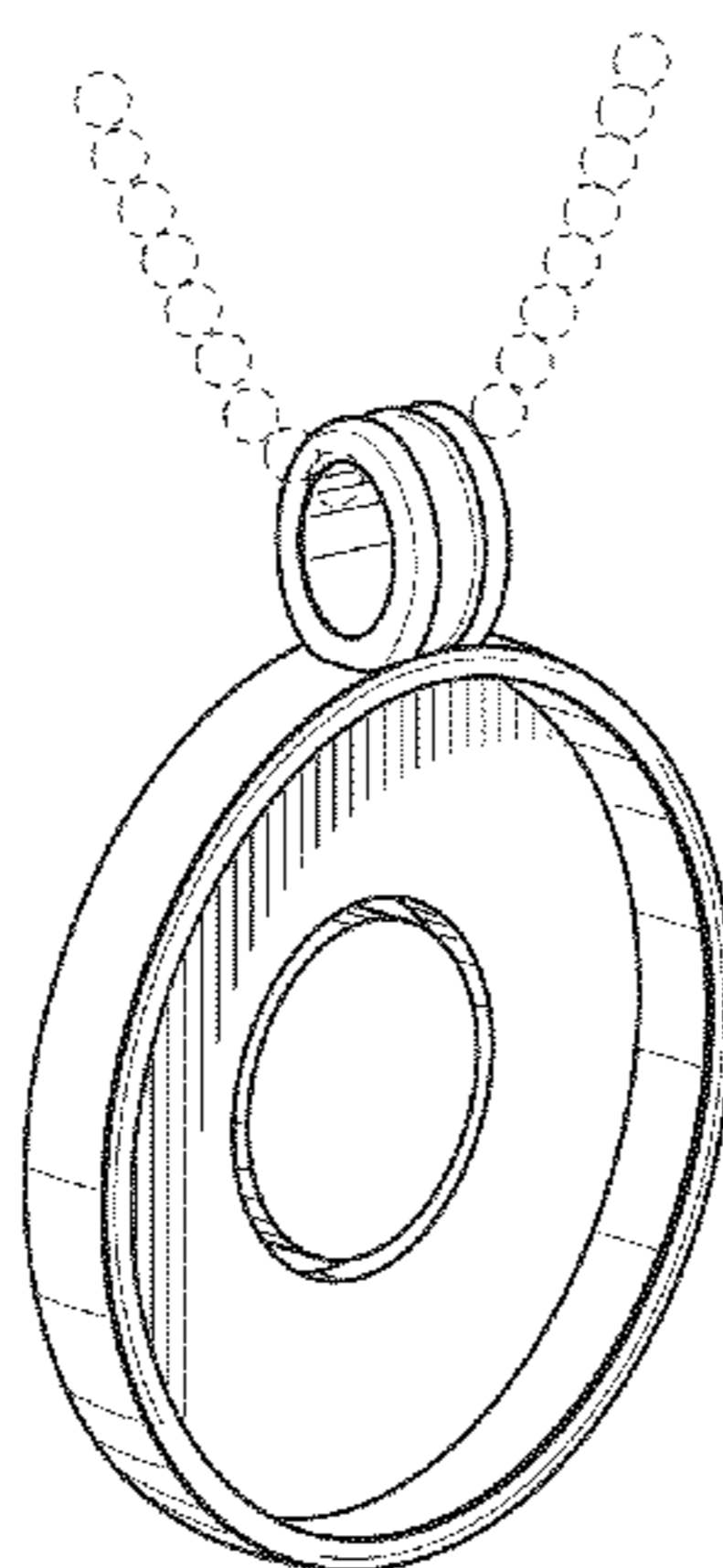


Fig. 1

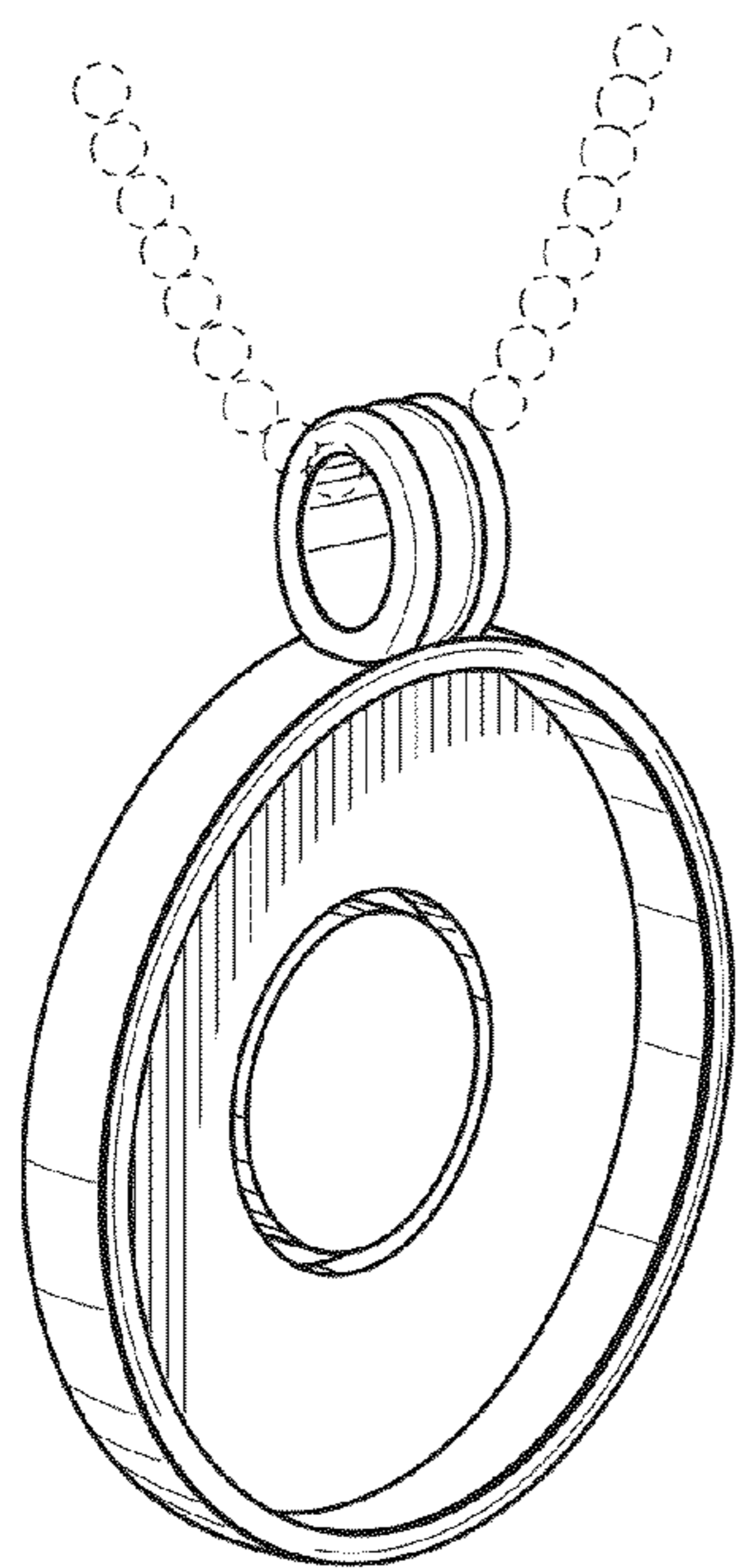


Fig. 2

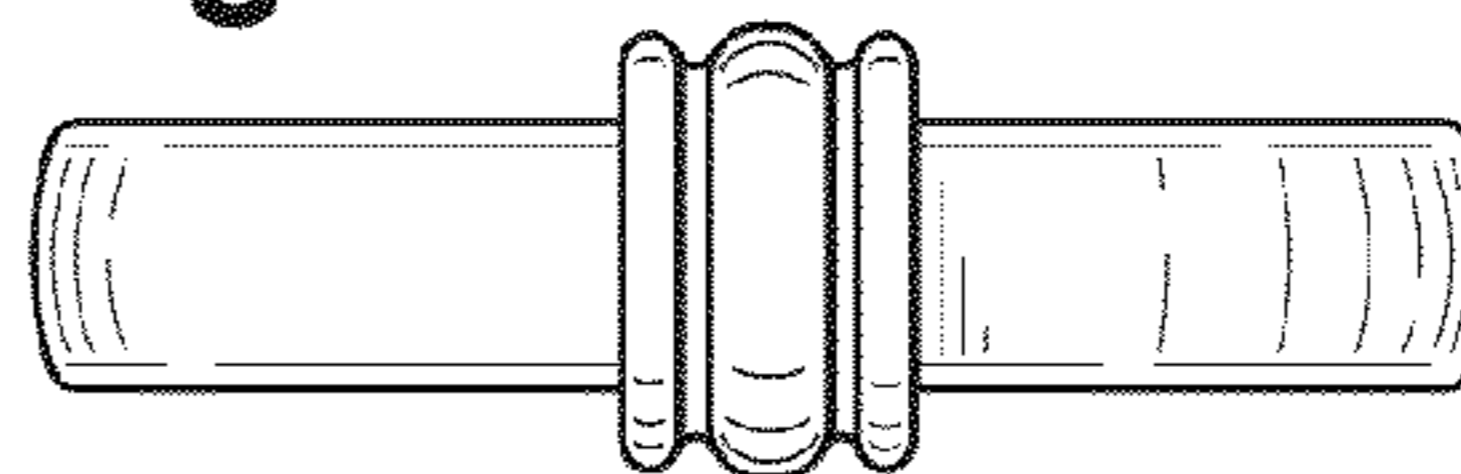


Fig. 3

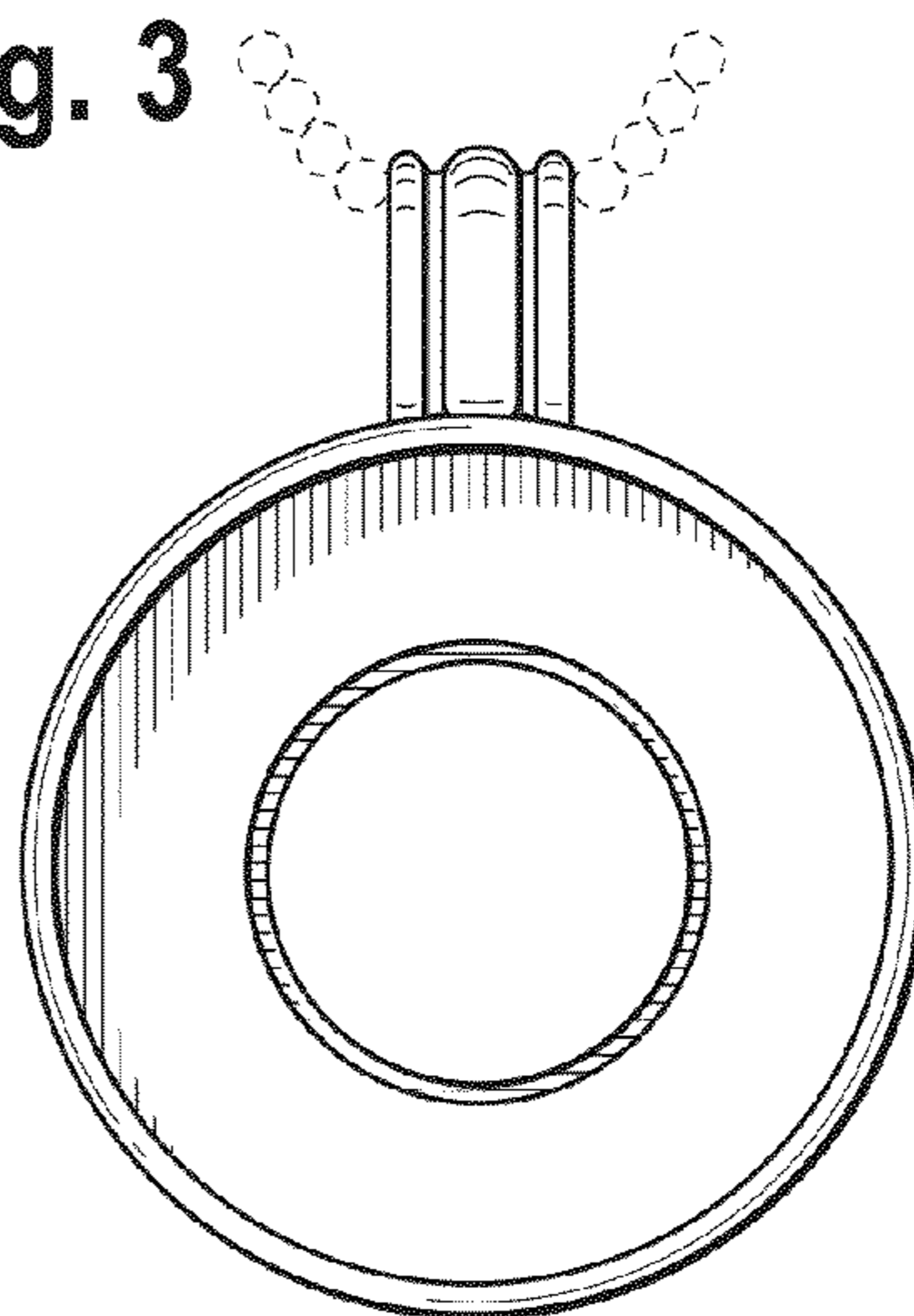


Fig. 4

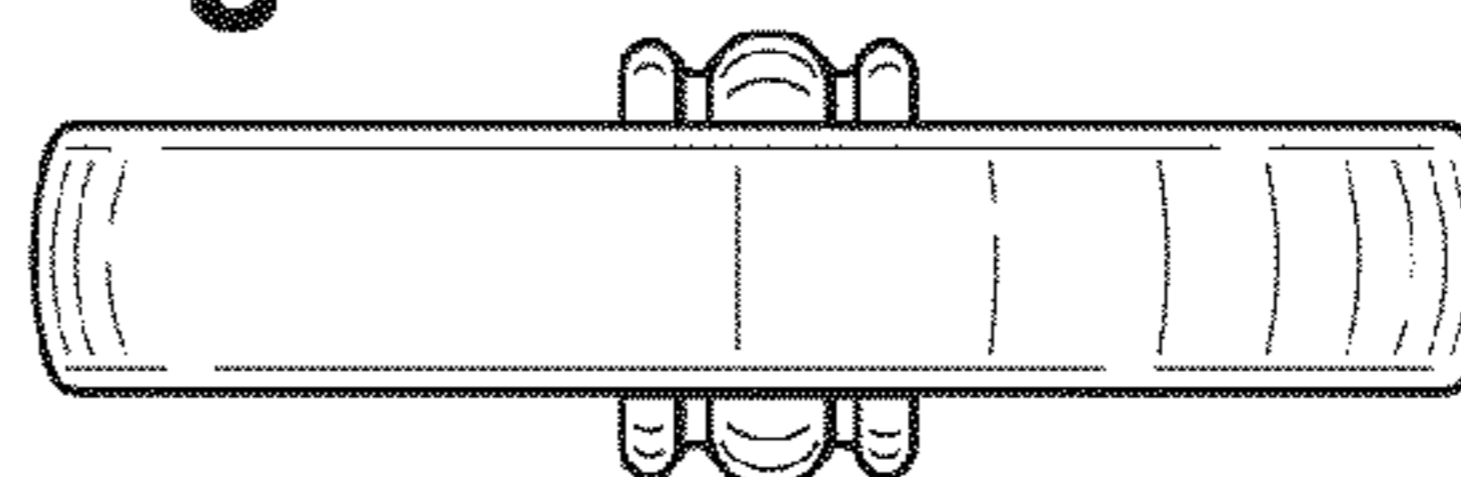


Fig. 5

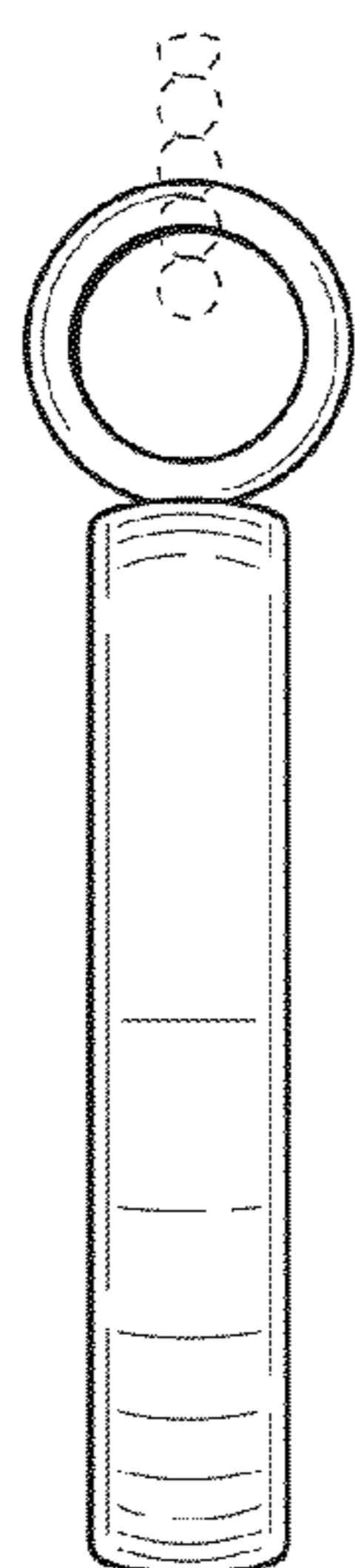


Fig. 6

