



US00D712295S

(12) **United States Design Patent**  
**Ennis et al.**

(10) **Patent No.:** **US D712,295 S**  
(45) **Date of Patent:** **\*\* Sep. 2, 2014**

(54) **WRISTBAND**

(71) Applicant: **Precision Dynamics Corporation,**  
Valencia, CA (US)

(72) Inventors: **Ron Ennis,** Los Angeles, CA (US);  
**Shane Taghavi,** Woodland Hills, CA (US)

(73) Assignee: **Precision Dynamics Corporation,**  
Valencia, CA (US)

(\*\*) Term: **14 Years**

(21) Appl. No.: **29/471,411**

(22) Filed: **Oct. 31, 2013**

(51) **LOC (10) Cl.** ..... **11-01**

(52) **U.S. Cl.**  
USPC ..... **D11/3; D20/22**

(58) **Field of Classification Search**  
USPC ..... D11/1-29; D10/30, 32; D2/610-623,  
D2/853, 858; D30/144, 151, 153;  
D24/188-190, 206; 63/1.11, 3, 3.1,  
63/3.2, 5.1, 5.2, 7, 11, 15, 15.1-15.4,  
63/15.45, 15.5, 15.6, 15.65, 15.7, 21;  
368/276-278, 281-283; 2/16, 22, 59,  
2/125, 126, 170-172; 40/633;  
D14/203.3, 203.5, 344; D20/22

See application file for complete search history.

(56) **References Cited**

**U.S. PATENT DOCUMENTS**

D383,993 S *	9/1997	Kalbach	.....	D11/3
6,546,656 B2 *	4/2003	Twentier	.....	40/633
D524,184 S *	7/2006	Watanabe	.....	D11/5
D548,129 S *	8/2007	Fineide	.....	D11/5
D653,148 S *	1/2012	Bekker	.....	D11/3
D675,123 S *	1/2013	Nunez	.....	D11/3

D686,217 S *	7/2013	Andre	.....	D11/2
D703,755 S *	4/2014	Joseph et al.	.....	D20/22
D703,756 S *	4/2014	Ennis et al.	.....	D20/22
2003/0113500 A1 *	6/2003	Ingerslew et al.	.....	156/270

**OTHER PUBLICATIONS**

Apply Securline Bar Code Blood Band Hybrid with Handwritten Info., Facebook.com, published Jan. 17, 2013, online. Site visited Jun. 13, 2014. Internet URL:<"https://www.facebook.com/photo.php?v=309305885848173">.\*

\* cited by examiner

*Primary Examiner* — Garth Rademaker

*Assistant Examiner* — Llorellys Martinez-Rivera

(74) *Attorney, Agent, or Firm* — Kelly & Kelley, LLP

(57) **CLAIM**

The ornamental design for a wristband, as shown and described.

**DESCRIPTION**

FIG. 1 is a top and side perspective view of a wristband embodying our new design;

FIG. 2 is a another top and side perspective view thereof, shown separated along the perforation line;

FIG. 3 is a perspective view of the wristband in a use configuration;

FIG. 4 is a top plan view of the wristband;

FIG. 5 is a bottom plan view thereof;

FIG. 6 is a front elevational view thereof;

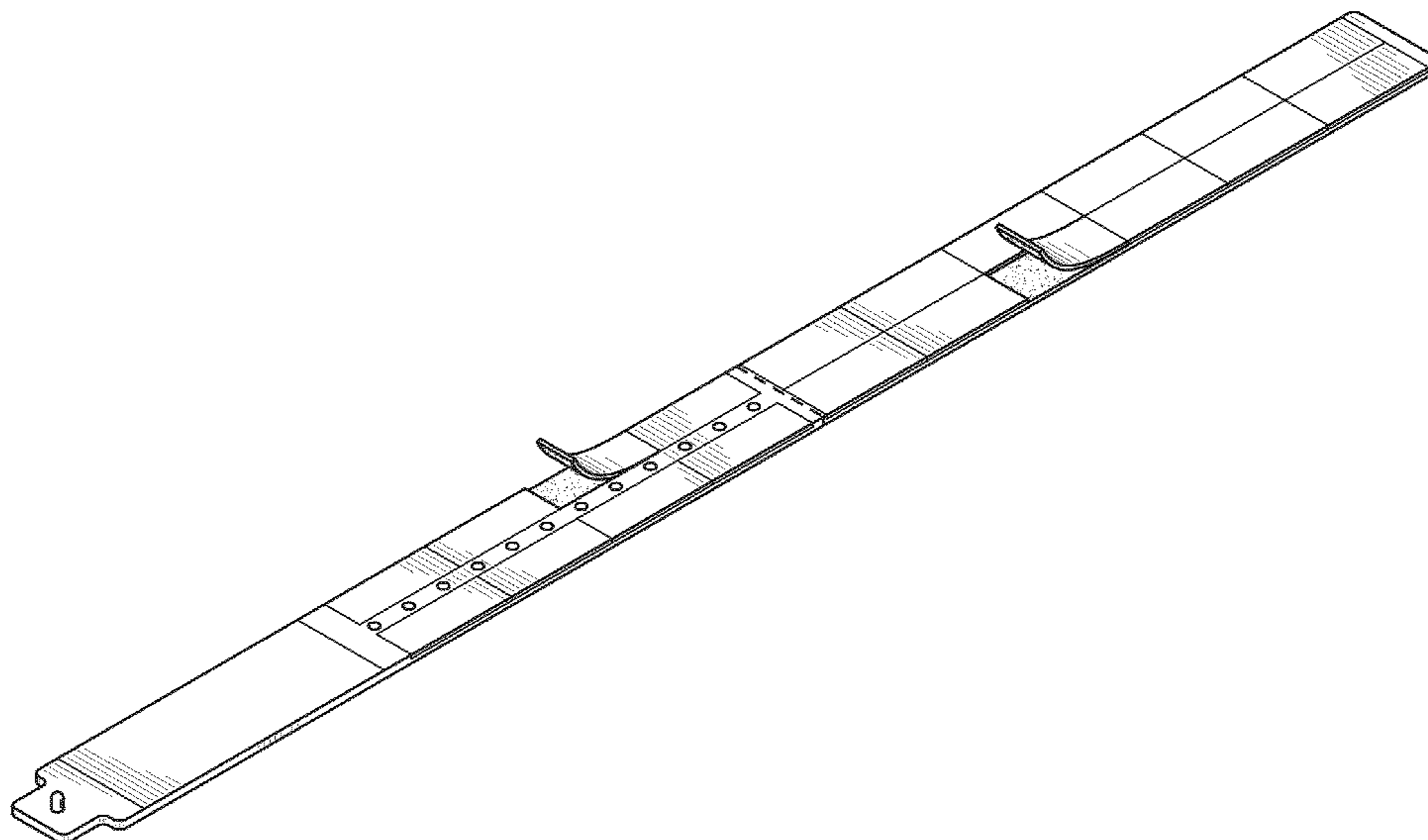
FIG. 7 is a rear elevational view thereof;

FIG. 8 is a right side elevational view thereof; and,

FIG. 9 is a left side elevational view thereof.

The broken line portions of FIGS. 1, 4 and 5 illustrate perforation that does form part of the claimed design.

**1 Claim, 2 Drawing Sheets**



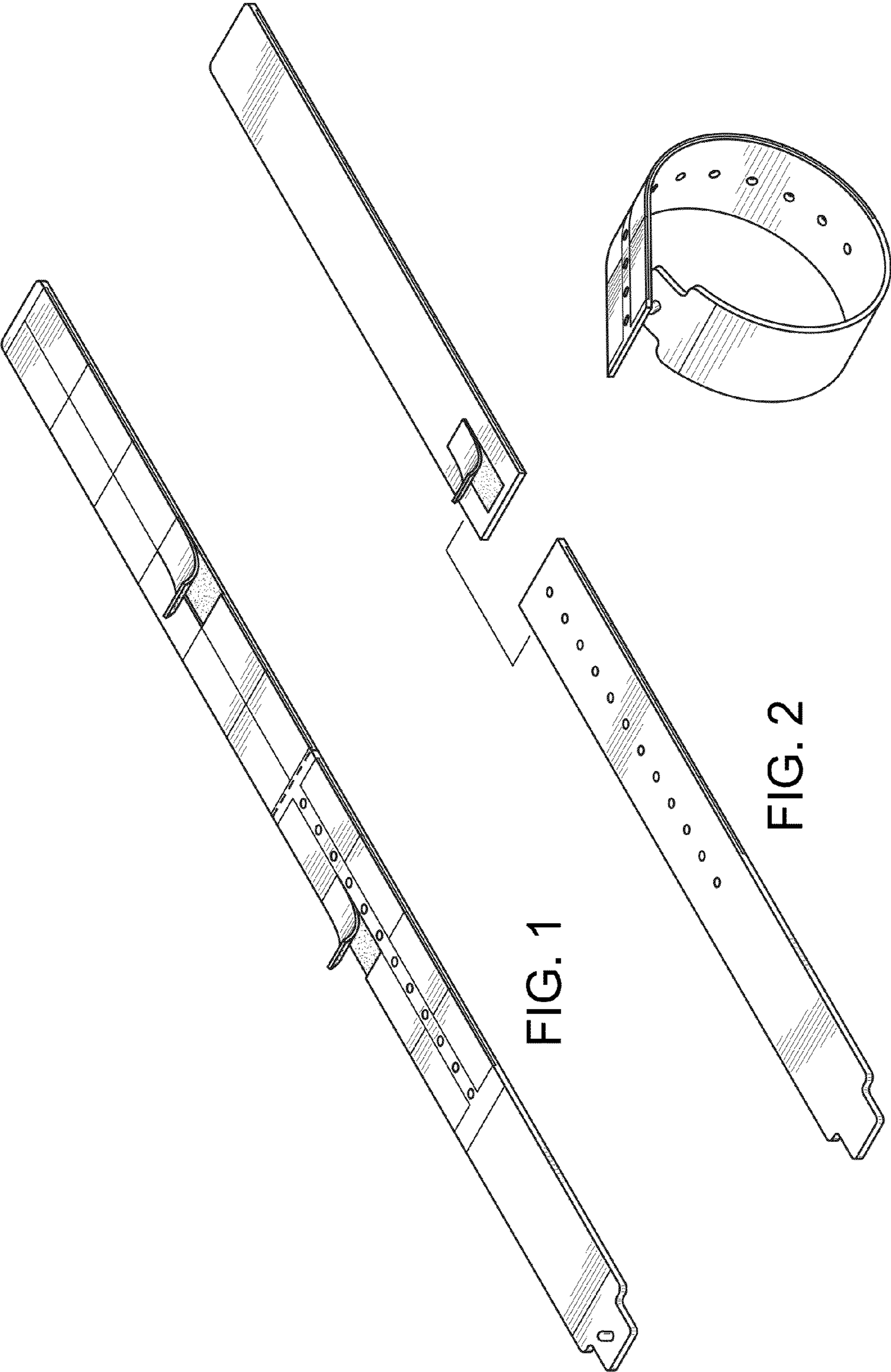


FIG. 1

FIG. 2

FIG. 3

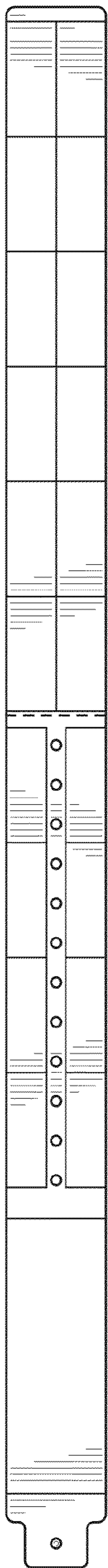


FIG. 4

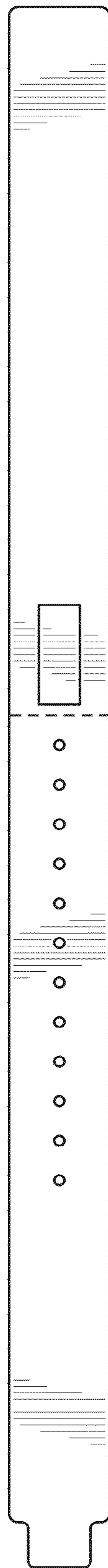


FIG. 5



FIG. 6



FIG. 7



FIG. 8



FIG. 9