



US00D712293S

(12) **United States Design Patent**
Cerrato

(10) **Patent No.:** **US D712,293 S**
(45) **Date of Patent:** **** Sep. 2, 2014**

- (54) **SECOND HAND**
- (71) Applicant: **Davide Cerrato**, Geneva (CH)
- (72) Inventor: **Davide Cerrato**, Geneva (CH)
- (73) Assignee: **Tudor Watch U.S.A., LLC**, New York, NY (US)
- (**) Term: **14 Years**
- (21) Appl. No.: **29/469,650**
- (22) Filed: **Oct. 11, 2013**

2,724,235	A *	11/1955	Bauerle	368/126
D178,044	S *	6/1956	Pasquier	D10/126
D181,620	S *	12/1957	Bloch	D10/124
D218,342	S *	8/1970	Rice	D10/124
3,545,199	A *	12/1970	Rice, Jr	368/14
3,581,128	A *	5/1971	Meisner et al.	310/21
D257,670	S *	12/1980	Lewis	D10/15
D277,653	S *	2/1985	Jago	D10/123
5,051,968	A *	9/1991	Calabrese	368/76
D345,319	S *	3/1994	Kaneko	D10/126
D345,526	S *	3/1994	Ito	D10/126
5,608,694	A *	3/1997	Grimm et al.	368/127
5,734,627	A *	3/1998	Sy	368/67
6,520,674	B1 *	2/2003	Tokoro	368/127
7,301,854	B2 *	11/2007	Ruefenacht	368/37
D623,078	S *	9/2010	Hegi	D10/32

(Continued)

Related U.S. Application Data

- (62) Division of application No. 29/401,874, filed on Sep. 16, 2011.

Foreign Application Priority Data

- Mar. 16, 2011 (CH) 137820
- (51) **LOC (10) CL.** **10-07**
- (52) **U.S. CL.**
USPC **D10/127**
- (58) **Field of Classification Search**
USPC D10/30-39, 122-132; 368/80, 223,
368/228, 232, 276, 281, 282, 77, 233, 238
See application file for complete search history.

References Cited

U.S. PATENT DOCUMENTS

162,430	A *	4/1875	Strong	368/77
406,989	A *	7/1889	Borgfeldt	368/228
1,513,526	A *	10/1924	Allenbaugh	368/233
2,362,754	A *	11/1944	Johnson	368/80
2,639,577	A *	5/1953	Lubin	368/81
2,690,646	A *	10/1954	Clifford	368/126

OTHER PUBLICATIONS

Wristwatch Annual, The Catalog of Producers, Prices, Models, and Specifications, 2008, p. 340, Perrelet Double Rotor watch.*

(Continued)

Primary Examiner — Lucy Lieberman
(74) *Attorney, Agent, or Firm* — Sughrue Mion, PLLC

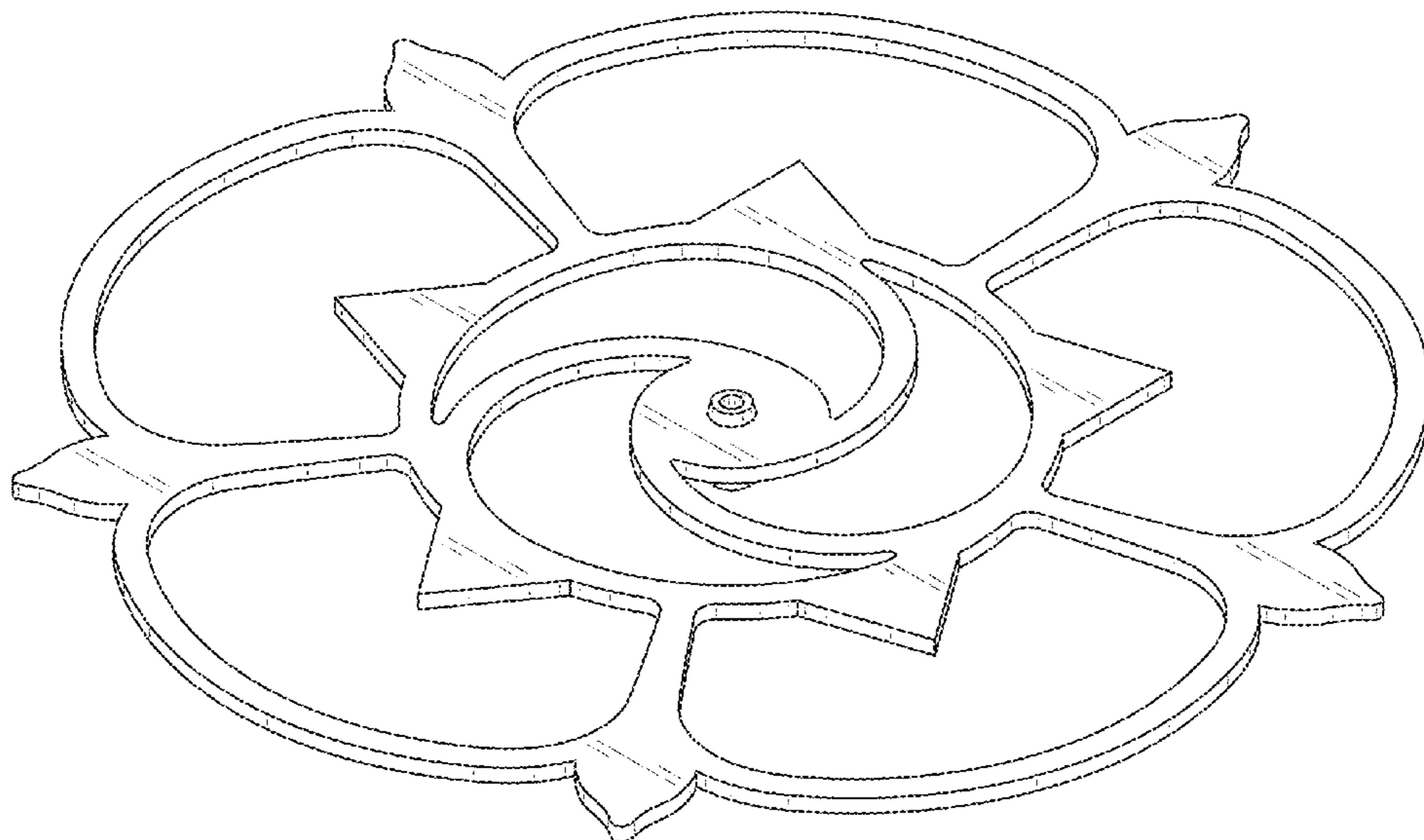
(57) **CLAIM**

The ornamental design for a second hand, as shown and described.

DESCRIPTION

FIG. 1 is right-top perspective view of the second hand;
FIG. 2 is a top view of the second hand;
FIG. 3 is a bottom view of the second hand;
FIG. 4 is a left side view of the second hand;
FIG. 5 is a rear view of the second hand;
FIG. 6 is a right side view of the second hand; and,
FIG. 7 is a front view of the second hand.

1 Claim, 4 Drawing Sheets



US D712,293 S

Page 2

(56)

References Cited

8,406,087 B2 * 3/2013 Schneider 368/77
D682,121 S * 5/2013 Hegi D10/36

U.S. PATENT DOCUMENTS

D628,508 S * 12/2010 Moeller D10/127
D630,960 S * 1/2011 Vogeli D10/128
D635,045 S * 3/2011 Rodriguez D10/128
D668,169 S * 10/2012 Inoue D10/124

OTHER PUBLICATIONS

Hong Kong Watches & Clocks, vol. 2, 2005, p. 106, Larmes watch.*

* cited by examiner

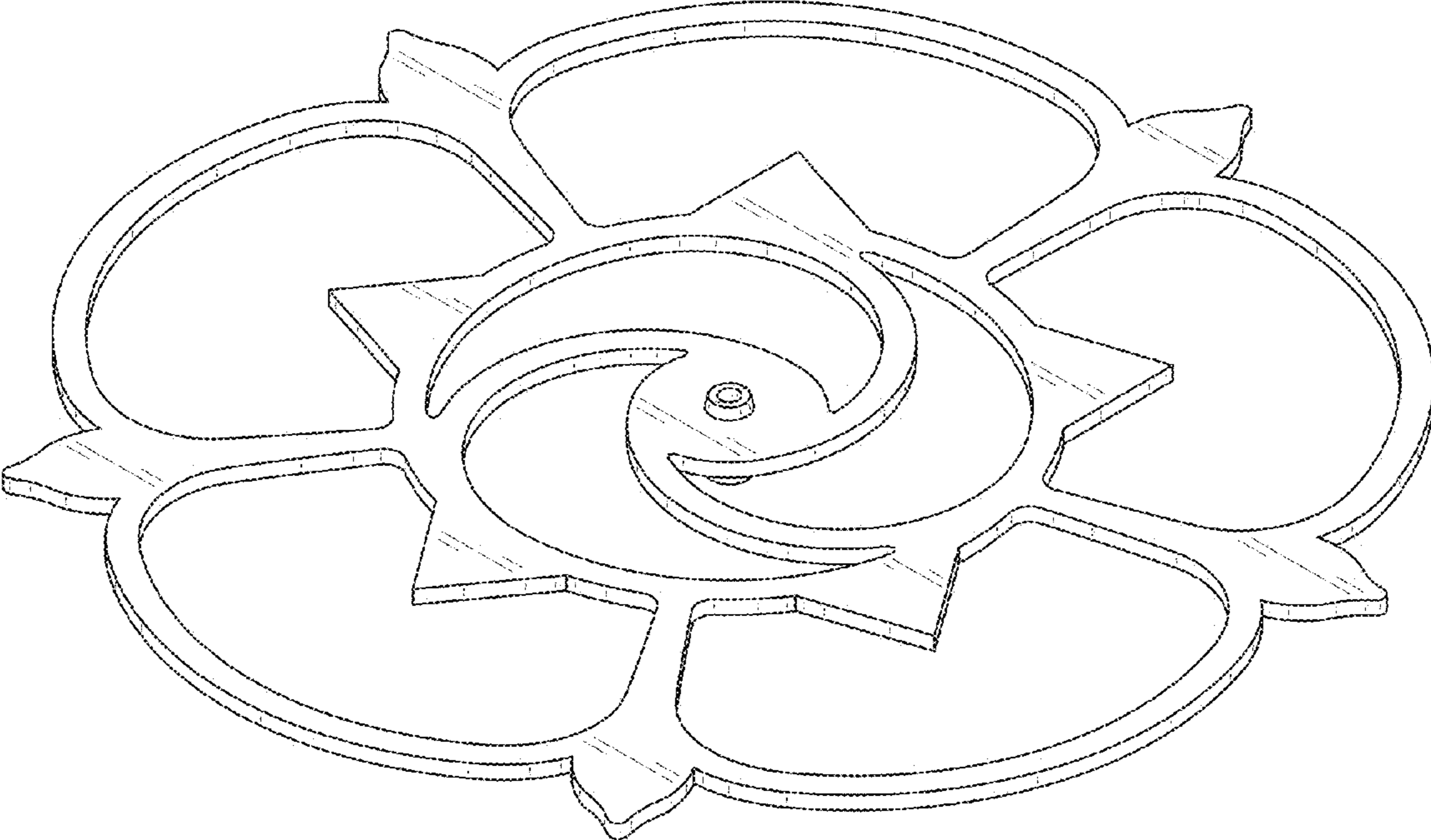


FIG. 1

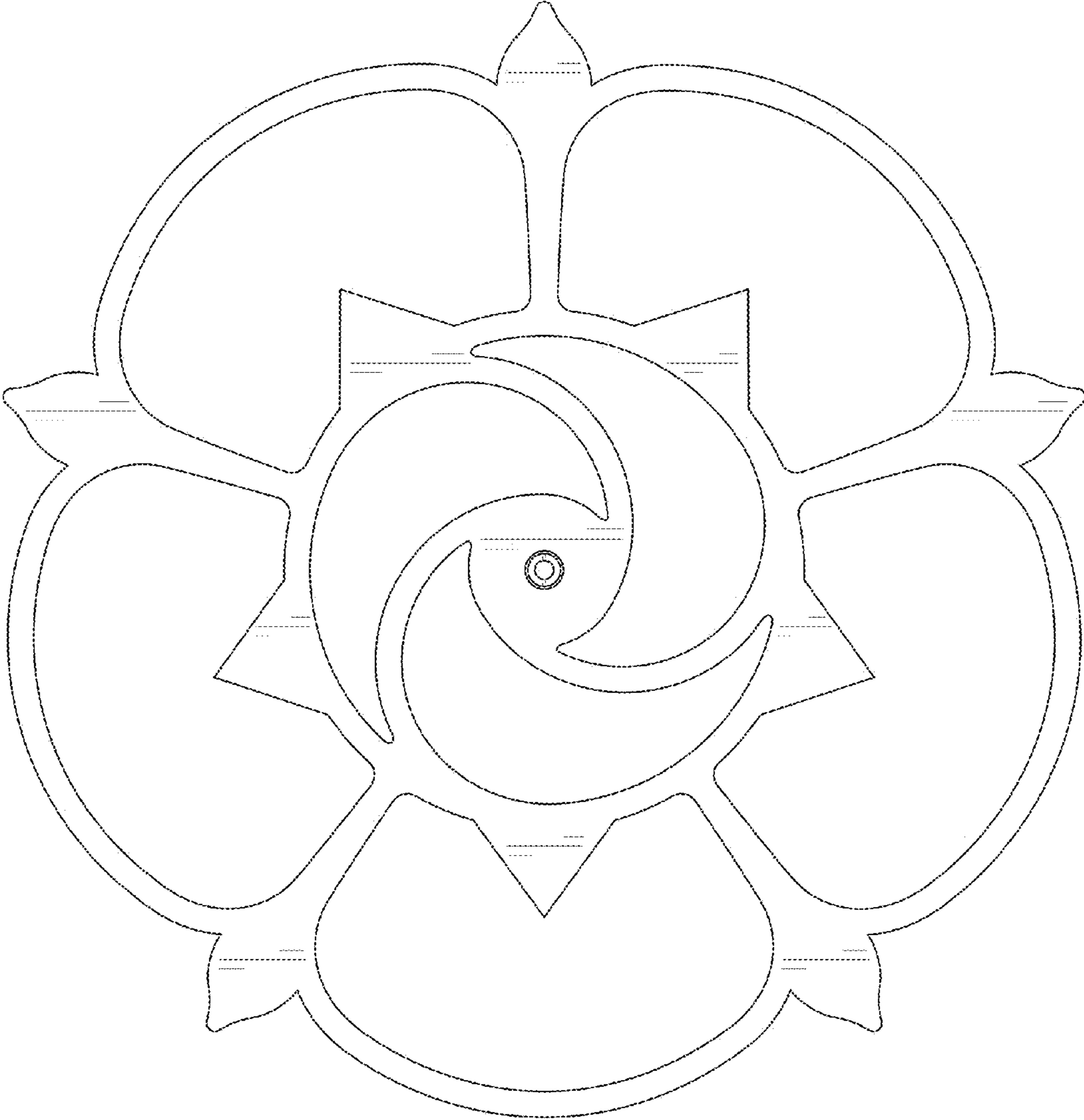


FIG. 2

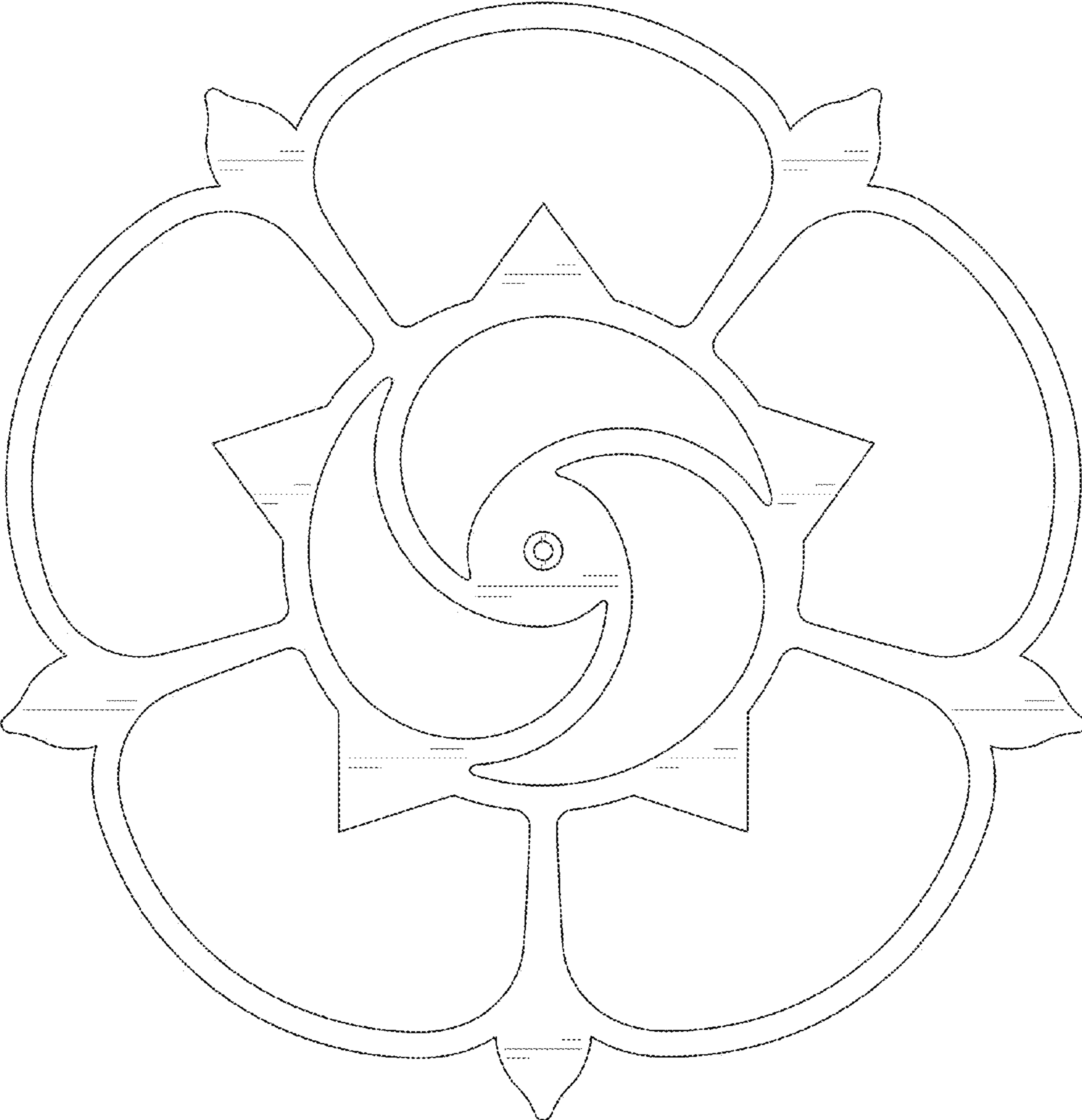


FIG. 3

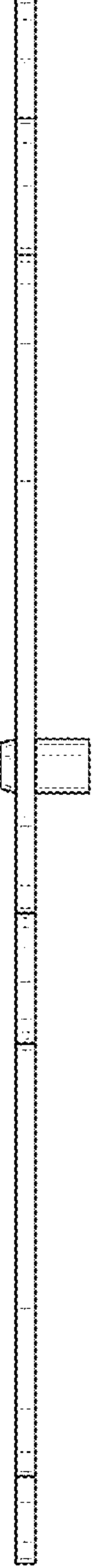


FIG. 4

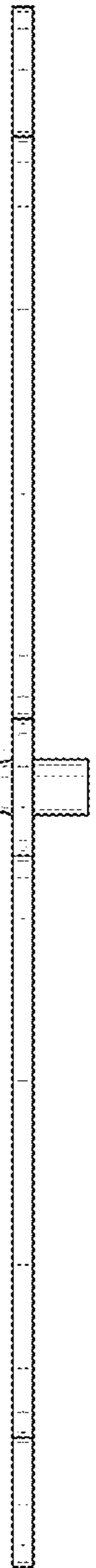


FIG. 5

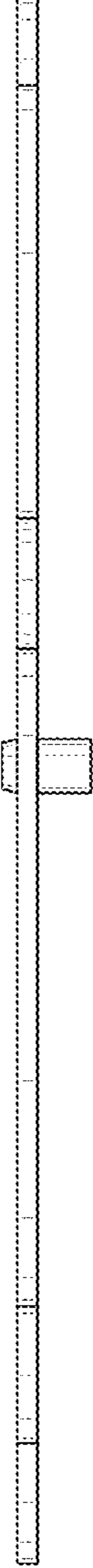


FIG. 6

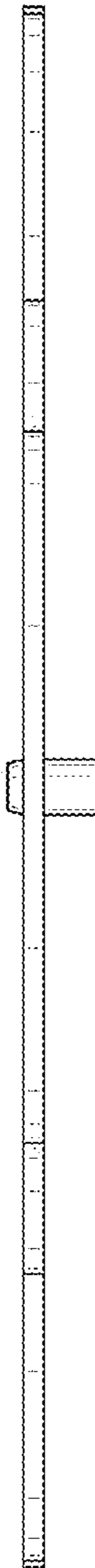


FIG. 7