



US00D712292S

(12) **United States Design Patent**
Yang et al.

(10) **Patent No.:** **US D712,292 S**
(45) **Date of Patent:** **** Sep. 2, 2014**

(54) **SMART-HOME WIRELESS VIDEO SECURITY SENSOR**

(71) Applicant: **Amaryllo International B.V.**, Zhubei (TW)
(72) Inventors: **Chao-Tung Yang**, Zhubei (TW); **Shu-Hua Liu**, Zhubei (TW); **Ling-Ling Wu**, Zhubei (TW)
(73) Assignee: **Amaryllo International B.V.**, Zhubei, Hsinchu County (TW)

(**) Term: **14 Years**

(21) Appl. No.: **29/487,031**

(22) Filed: **Apr. 4, 2014**

(51) **LOC (10) Cl.** **10-05**

(52) **U.S. Cl.**
USPC **D10/106.1**

(58) **Field of Classification Search**
USPC D10/106.1, 106.5, 121, 106.2; 463/42; 340/545.2

See application file for complete search history.

(56) **References Cited**

U.S. PATENT DOCUMENTS

D238,484 S *	1/1976	Ludt	D10/106.2
D661,213 S *	6/2012	Hojmose	D10/106.2
D664,874 S *	8/2012	Carter et al.	D10/106.2
D669,381 S *	10/2012	Hojmose	D10/121
8,653,972 B2 *	2/2014	Schebel et al.	340/545.2
2011/0195789 A1 *	8/2011	Wells	463/42

* cited by examiner

Primary Examiner — George D Kirschbaum

(74) *Attorney, Agent, or Firm* — Muncy, Geissler, Olds & Lowe, P.C.

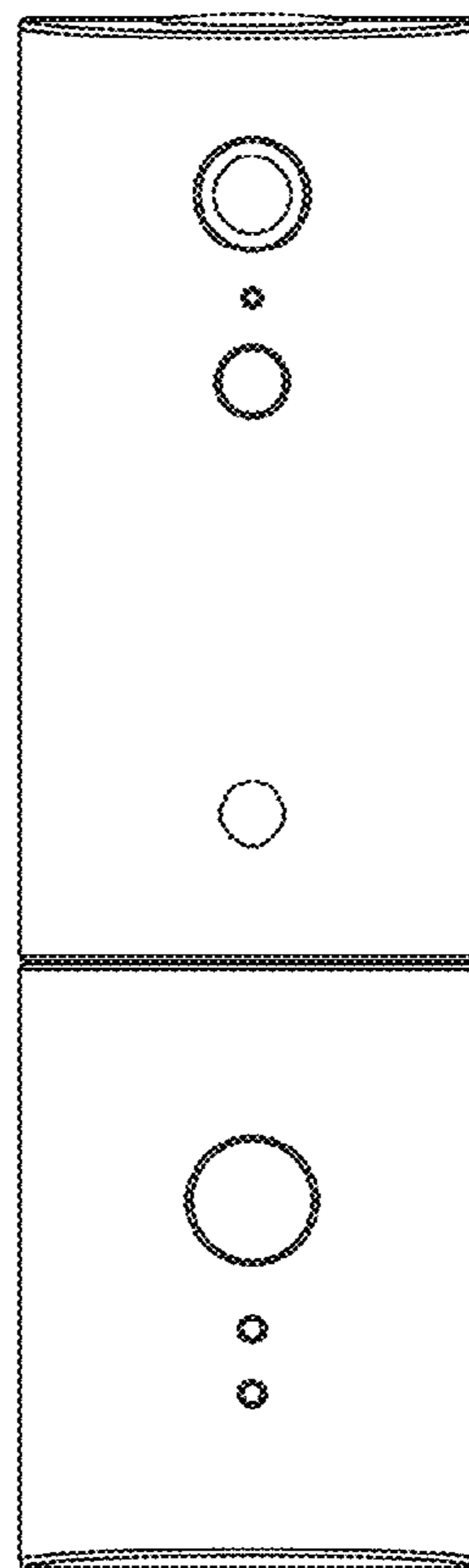
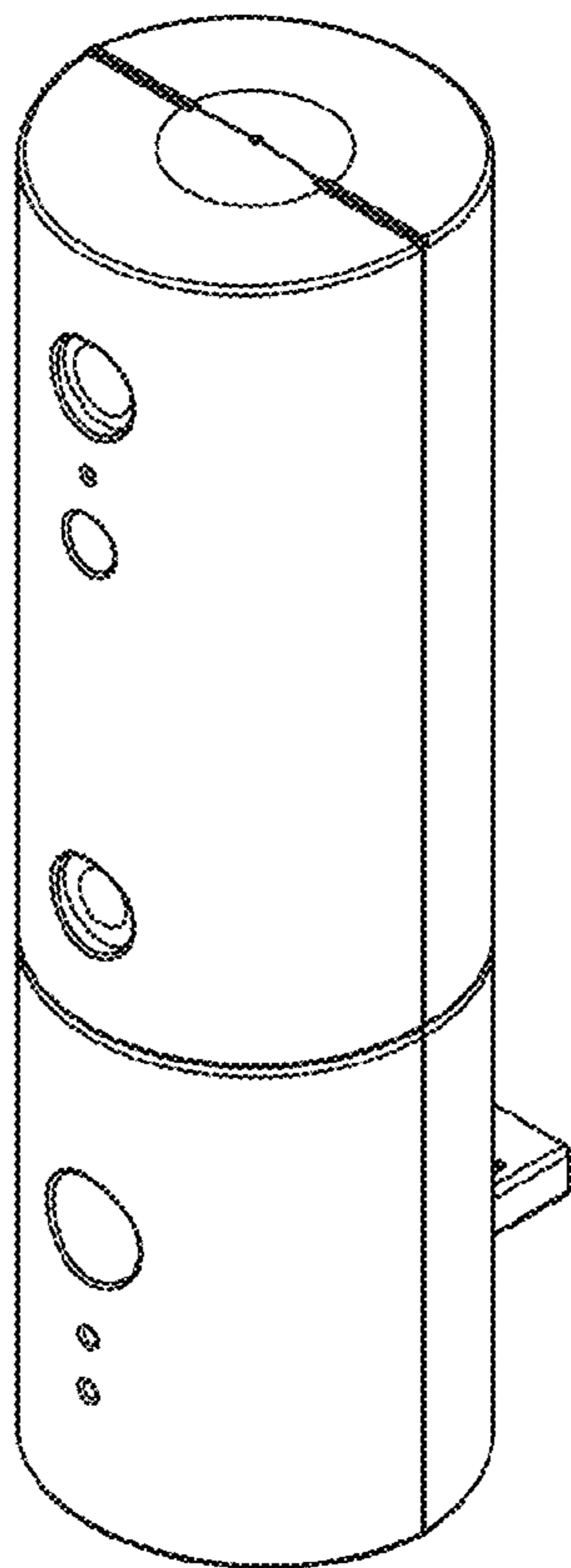
(57) **CLAIM**

The ornamental design for a smart-home wireless video security sensor, as shown and described.

DESCRIPTION

FIG. 1 is a front right perspective view of a smart-home wireless video security sensor showing my new design; FIG. 2 is a front perspective view thereof; FIG. 3 is a rear perspective view thereof; FIG. 4 is a left side elevation view thereof; FIG. 5 is a right side elevation view thereof; FIG. 6 is a top plan view thereof; and, FIG. 7 is a bottom plan view thereof.

1 Claim, 4 Drawing Sheets



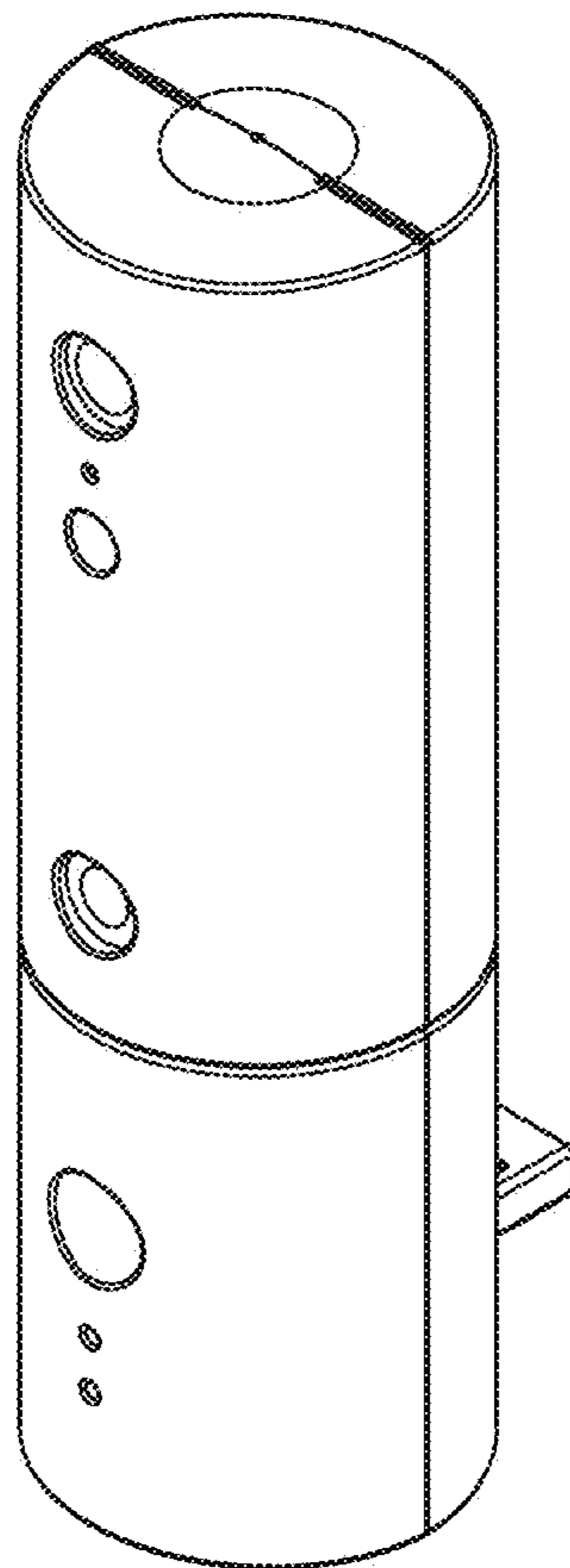


FIG. 1

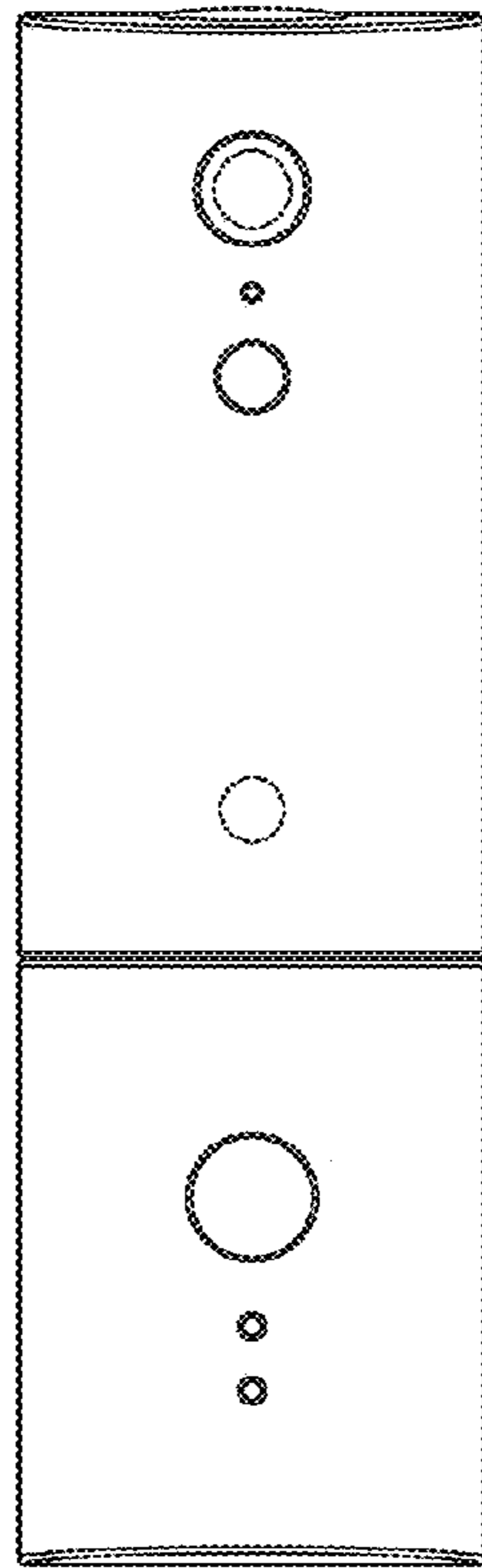


FIG. 2

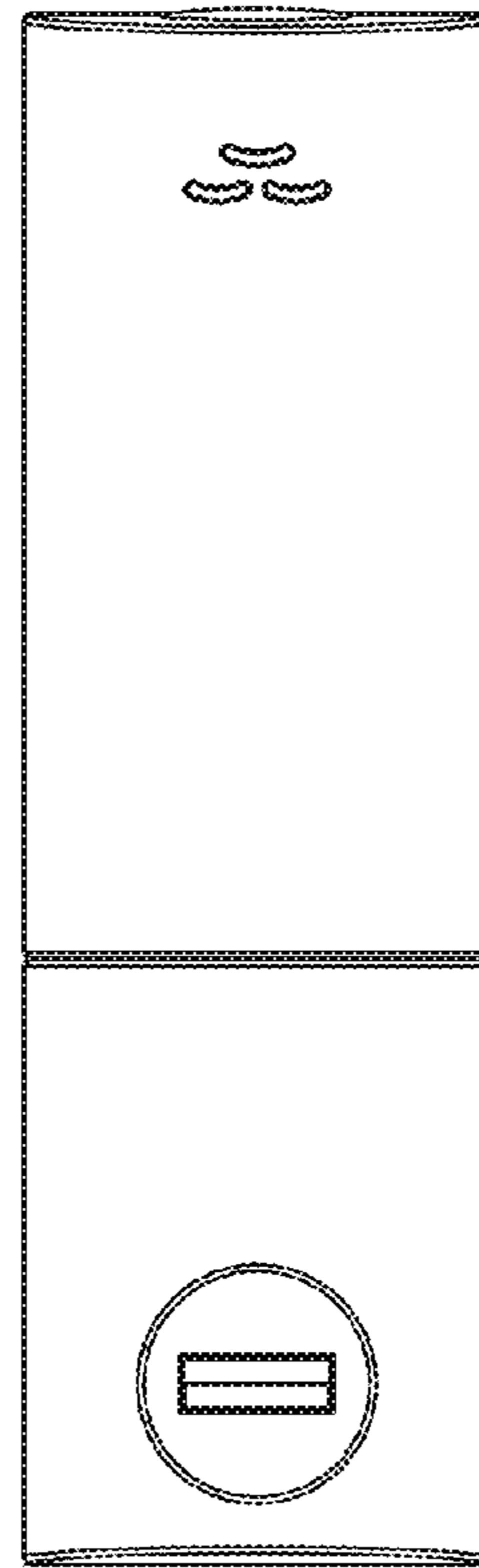


FIG. 3

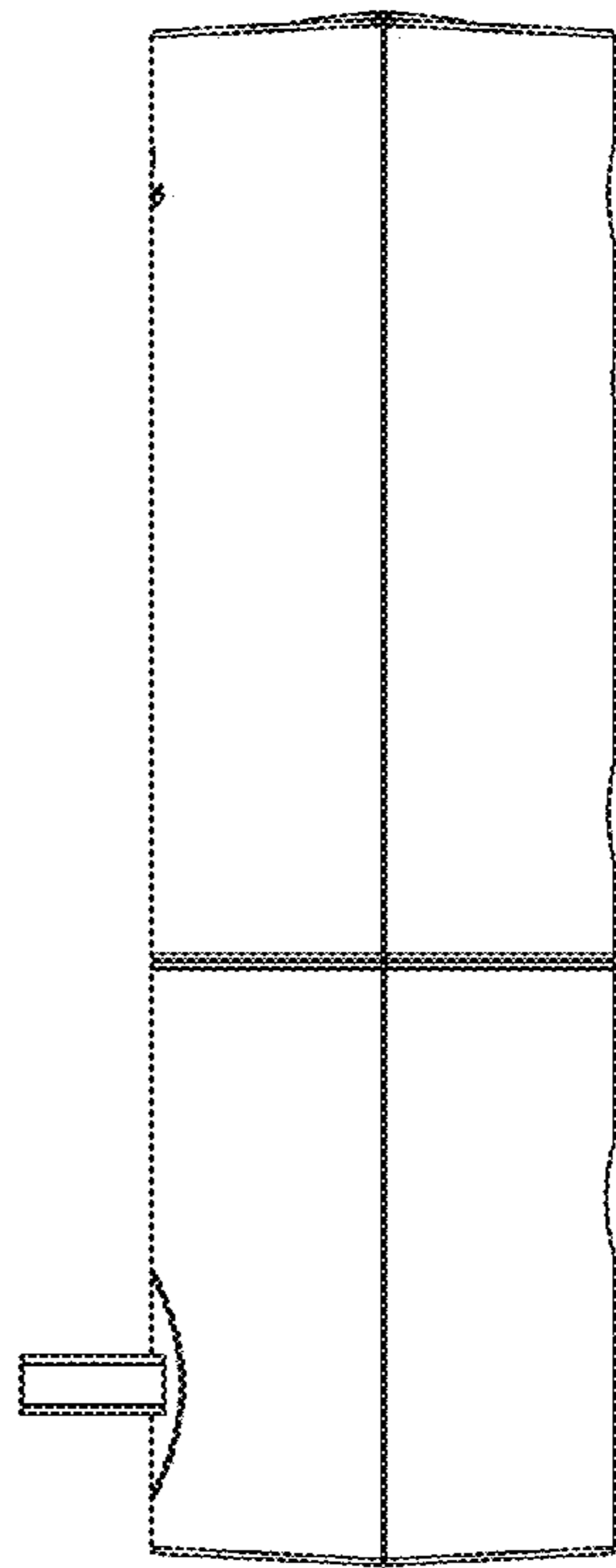


FIG. 4

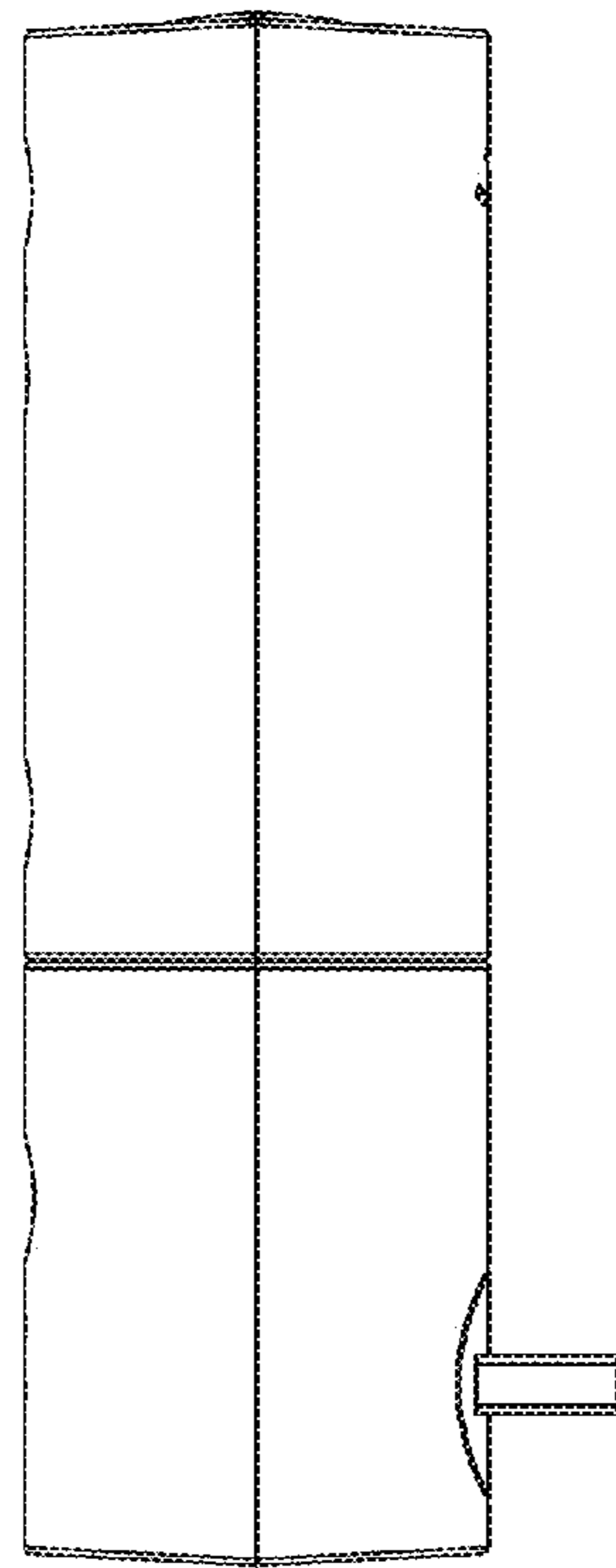


FIG. 5

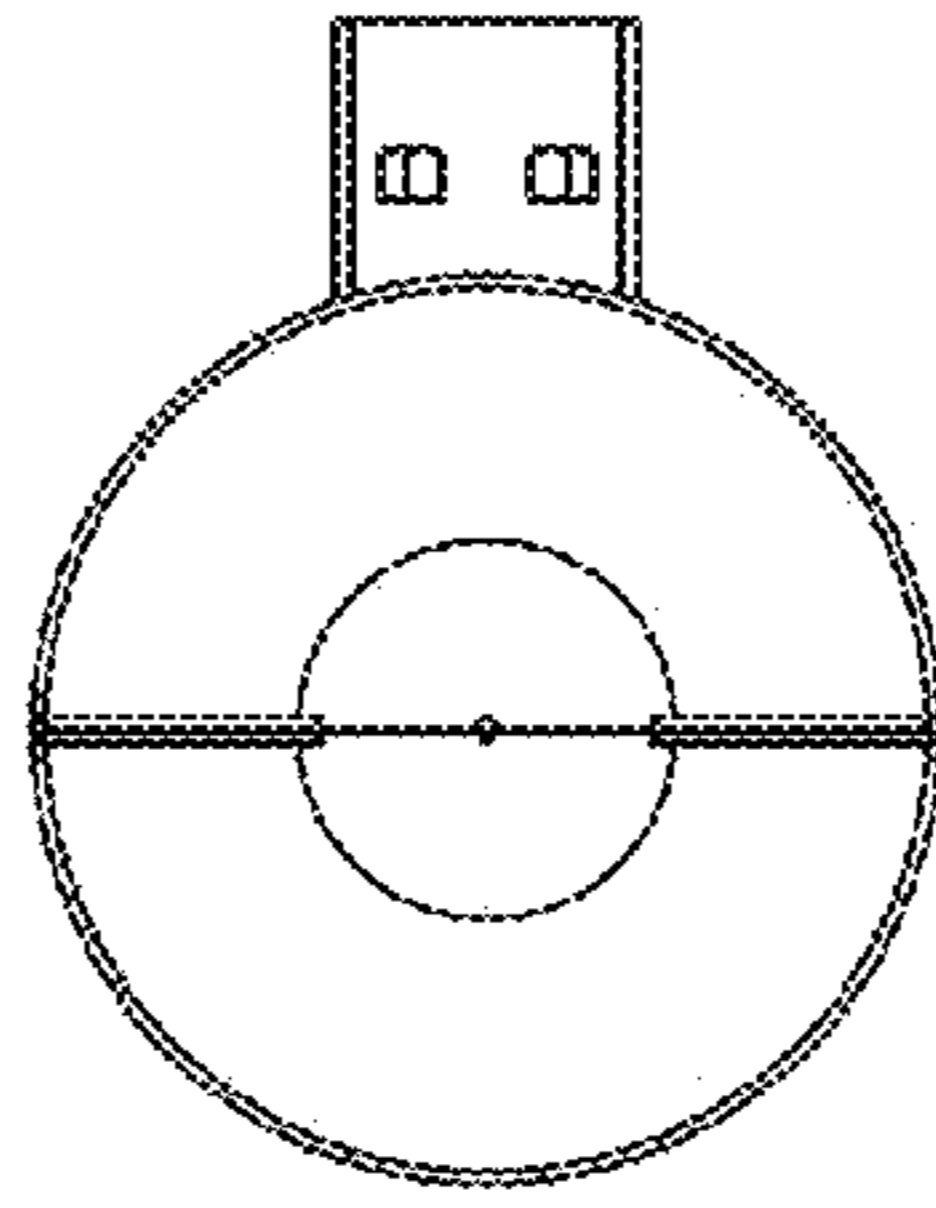


FIG. 6

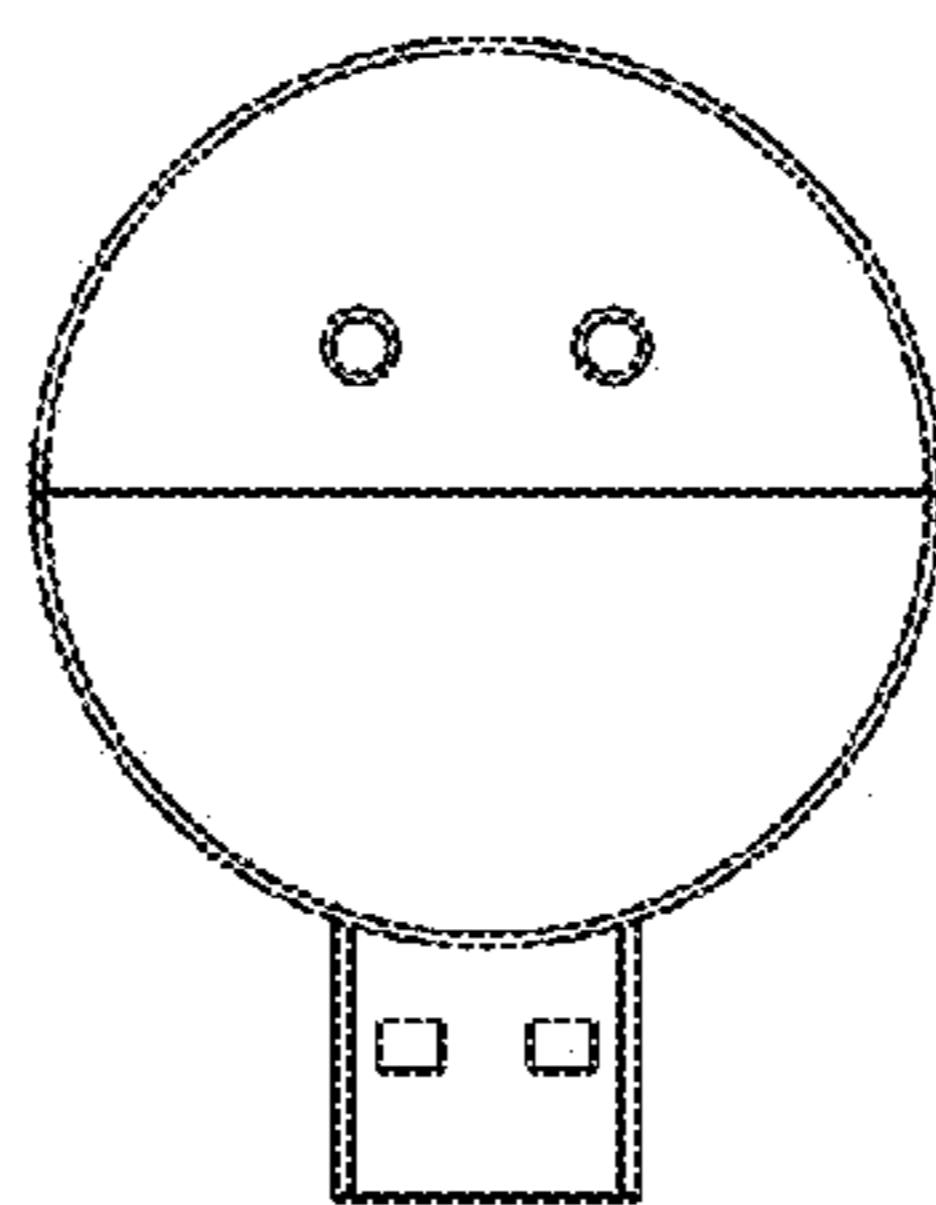


FIG. 7