



US00D712289S

(12) **United States Design Patent**  
**Kagan et al.**

(10) **Patent No.:** **US D712,289 S**  
(45) **Date of Patent:** **\*\* Sep. 2, 2014**

(54) **ELECTRONIC METER**

(71) Applicant: **Electro Industries/GaugeTech,**  
Westbury, NY (US)

(72) Inventors: **Erran Kagan,** Great Neck, NY (US);  
**Tibor Banhegyesi,** Bladwin, NY (US);  
**Avi Cohen,** Great Neck, NY (US)

(73) Assignee: **Electro Industries/Gauge Tech,**  
Westbury, NY (US)

(\*\*) Term: **14 Years**

(21) Appl. No.: **29/449,582**

(22) Filed: **Mar. 15, 2013**

**Related U.S. Application Data**

(63) Continuation of application No. 13/834,737, filed on  
Mar. 15, 2013, which is a continuation-in-part of  
application No. 12/628,636, filed on Dec. 1, 2009.

(51) **LOC (10) CI.** ..... **10-04**

(52) **U.S. CI.**  
USPC ..... **D10/100; D10/103**

(58) **Field of Classification Search**  
CPC .... G01R 22/065; G01R 22/06; G01R 21/133;  
G01D 4/002; H05K 7/1424; Y02B 90/246;  
Y02B 70/3266; Y02B 90/241; Y04S 20/32;  
Y04S 20/242; Y04S 20/46  
USPC ..... D10/99, 100, 103; 324/74, 142;  
340/870.02, 870.05; 361/736, 668;  
702/61

See application file for complete search history.

(56) **References Cited**

U.S. PATENT DOCUMENTS

D56,045 S 8/1920 D'orsay  
D76,149 S 2/1924 Olsen

(Continued)

OTHER PUBLICATIONS

BE1-951 Multifunction Protection System, Basler Electric, Sep.  
2012 pp. 1-12.

(Continued)

*Primary Examiner* — Antoine D Davis

(74) *Attorney, Agent, or Firm* — Gerald E. Hespos; Matthew  
T. Hespos; Michael J. Porco

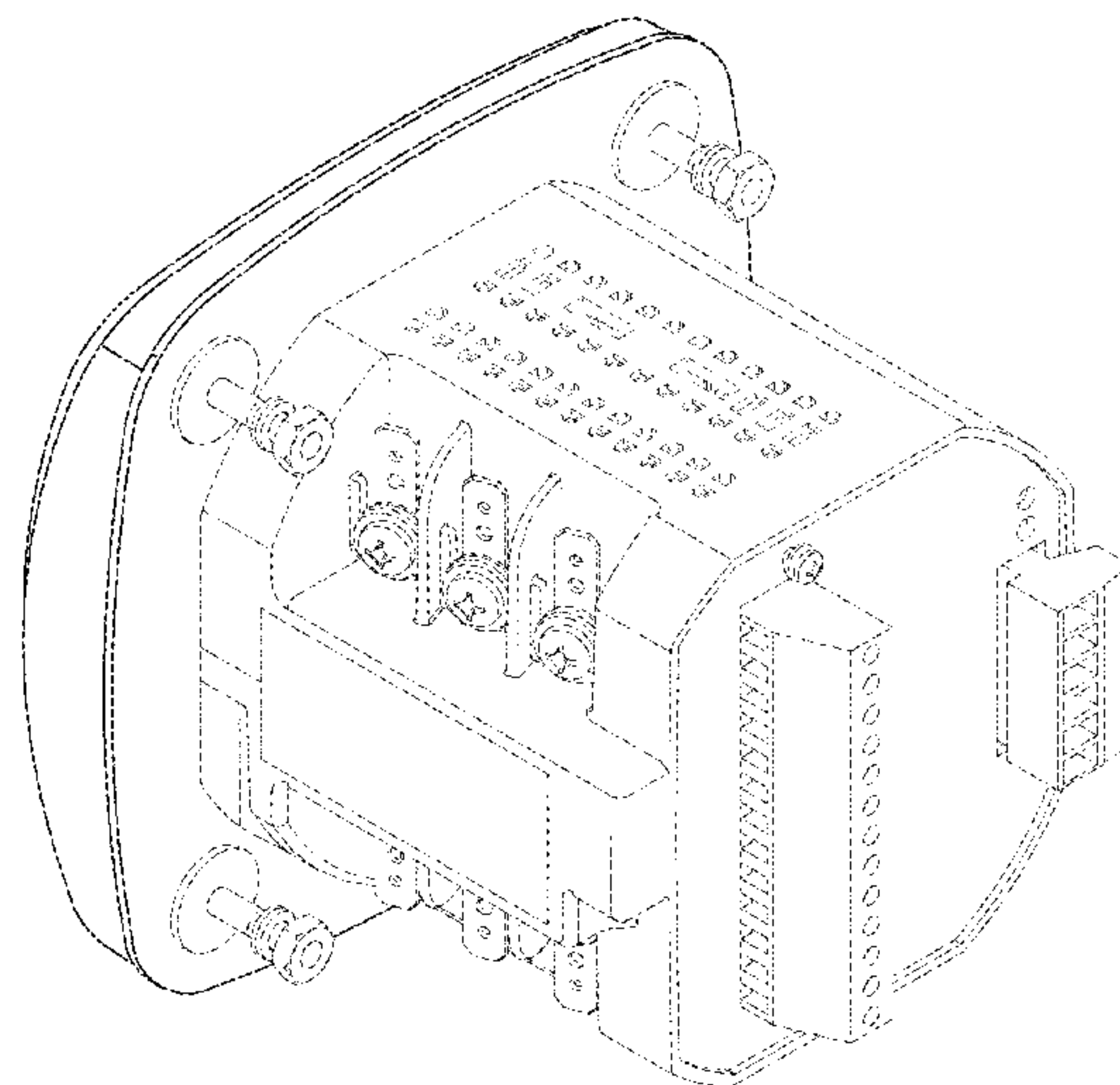
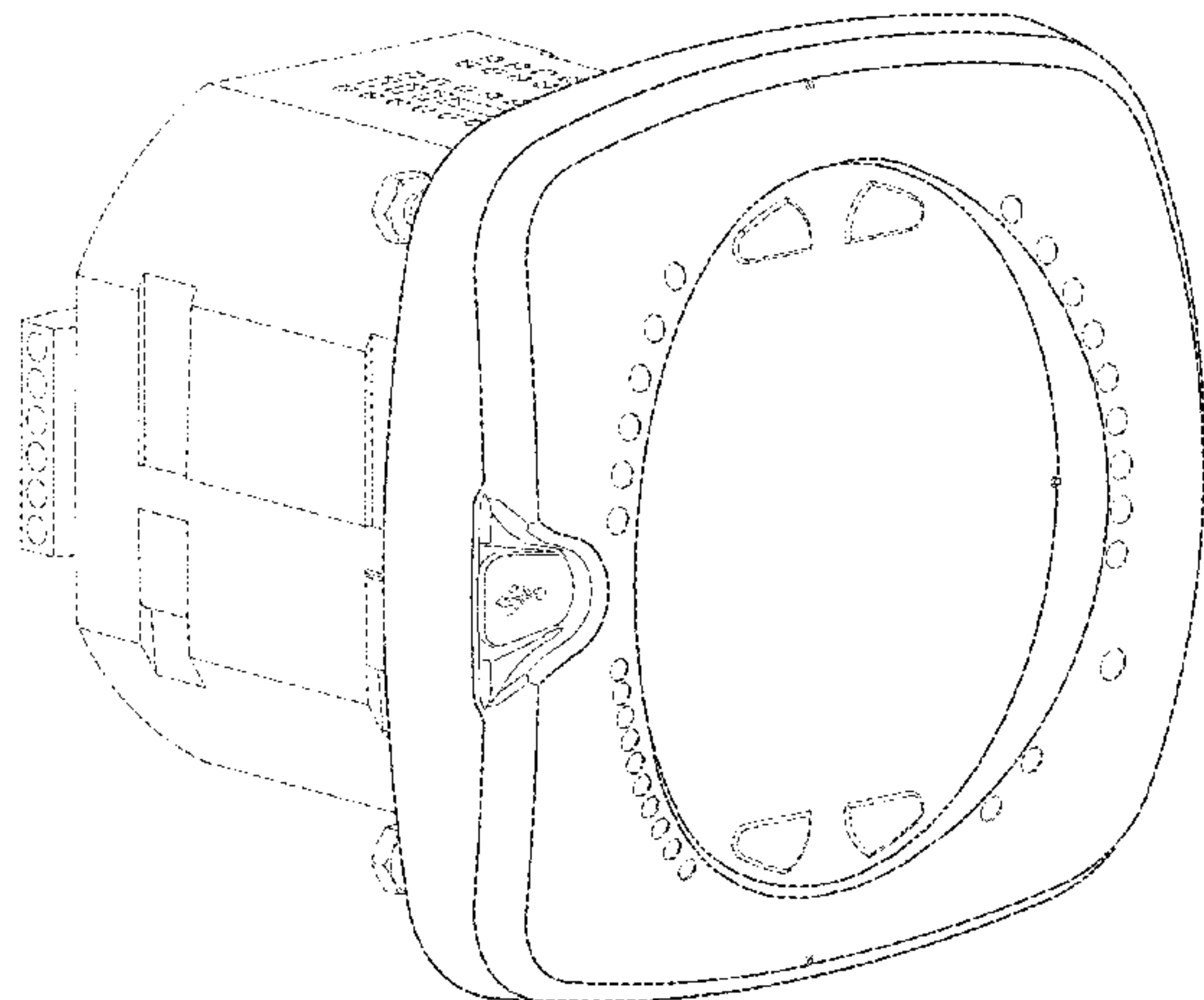
(57) **CLAIM**

The ornamental design for a electronic meter, as shown and  
described.

**DESCRIPTION**

FIG. 1 is a front, top, left perspective view of a electronic  
meter showing our new design;  
FIG. 2 is a rear, top, left perspective view thereof;  
FIG. 3 is a front elevational view thereof;  
FIG. 4 is a rear elevational view thereof;  
FIG. 5 is a left side elevational view thereof;  
FIG. 6 is a right side elevational view thereof;  
FIG. 7 is a top plan view thereof;  
FIG. 8 is a bottom plan view thereof;  
FIG. 9 is a front, top, left perspective, exploded view of a  
electronic meter showing a port plug removed;  
FIG. 10 is a front elevational view thereof showing a port plug  
removed;  
FIG. 11 is a front, top, left perspective view of a port plug;  
FIG. 12 is a rear, top, left perspective view of a port plug;  
FIG. 13 is a top plan view of a port plug;  
FIG. 14 is a bottom plan view of a port plug;  
FIG. 15 is a right side elevational view of a port plug; and,  
FIG. 16 is a left side elevational view of a port plug.  
The broken lines showing in FIGS. 1-16 are for illustrative  
purposes only and form no part of the claimed design.

**1 Claim, 11 Drawing Sheets**



(56)

References Cited

U.S. PATENT DOCUMENTS

1,705,301 A 3/1929 Miller  
 D187,740 S 4/1960 Littlejohn  
 D199,808 S 12/1964 Gazzam, III  
 D201,100 S 5/1965 Little et al.  
 D241,006 S 8/1976 Wallace  
 D273,574 S 4/1984 Overs  
 D332,923 S 2/1993 Polydoris et al.  
 D343,786 S 2/1994 Hines et al.  
 D348,019 S 6/1994 Kocol et al.  
 D366,434 S 1/1996 Brown, III et al.  
 5,581,470 A 12/1996 Pawloski  
 D427,533 S 7/2000 Cowan et al.  
 D429,655 S 8/2000 Cowan et al.  
 D435,471 S 12/2000 Simbeck et al.  
 D439,535 S 3/2001 Cowan et al.  
 D443,541 S 6/2001 Hancock et al.  
 D455,066 S 4/2002 Kolinen  
 D458,863 S 6/2002 Harding et al.  
 D459,259 S 6/2002 Harding et al.  
 6,476,595 B1 11/2002 Heuell et al.  
 6,476,729 B1 11/2002 Liu  
 6,745,138 B2 6/2004 Przydatek et al.  
 D525,893 S 8/2006 Kagan et al.  
 D526,920 S 8/2006 Kagan et al.  
 D545,181 S 6/2007 Kagan et al.  
 7,271,996 B2 9/2007 Kagan et al.  
 7,417,419 B2 8/2008 Tate  
 D615,895 S \* 5/2010 Beattie ..... D10/99  
 7,868,782 B2 1/2011 Ehrke et al.

D642,083 S 7/2011 Blanc et al.  
 D653,572 S 2/2012 Ohtani et al.  
 8,176,174 B2 5/2012 Kagan  
 D666,933 S 9/2012 Hoffman et al.  
 8,310,403 B2 11/2012 Nahar  
 8,325,057 B2 12/2012 Salter  
 D682,720 S 5/2013 Kagan et al.  
 D682,721 S 5/2013 Kagan et al.  
 8,587,949 B2 11/2013 Banhegyesi et al.  
 2002/0162014 A1 10/2002 Przydatek et al.  
 2004/0138786 A1 7/2004 Blackett et al.

OTHER PUBLICATIONS

Nexus 1262/1272 High Performance Utility Billing Meters With Communication & Advanced Power Quality, Electro Industries/Gaugetech, 062112 pp. 1-12.  
 Jemstar High Accuracy Revenue Meter for Generation, Transmission, and Industrial Power Measurement, Ametek Power Instruments, 2012, pp. 1-2.  
 Jemstar Retrofit for Generation, Transmission, and Industrial Power Measurement, Ametek Power Instruments, 2007, pp. 1-2.  
 Mark-V EMS60 Intelligent Energy Meter, Advanced High-Accuracy Meter With Integrated Data Telemetry Solutions and Power Quality Monitoring, Transdata Energy Metering and Automation, 2010, pp. 1-2.  
 Nexus 1262/1272 Switchboard Meter Quick Start, Electro Industries-Gaugetech, 083112, pp. 1-4.  
 Powerlogic ION8650, Schneider Electric, 2011, pp. 1-12.

\* cited by examiner

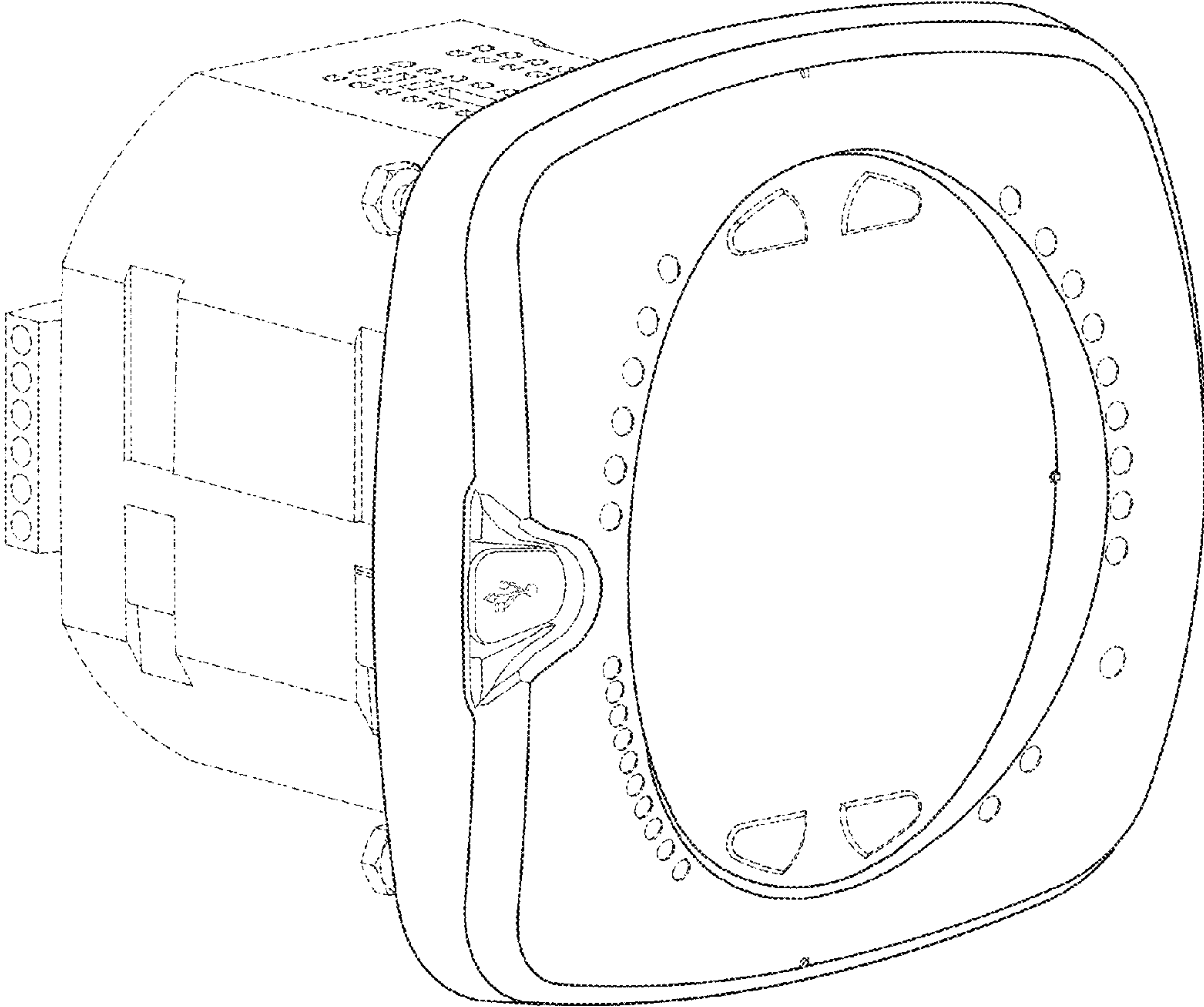


FIG. 1



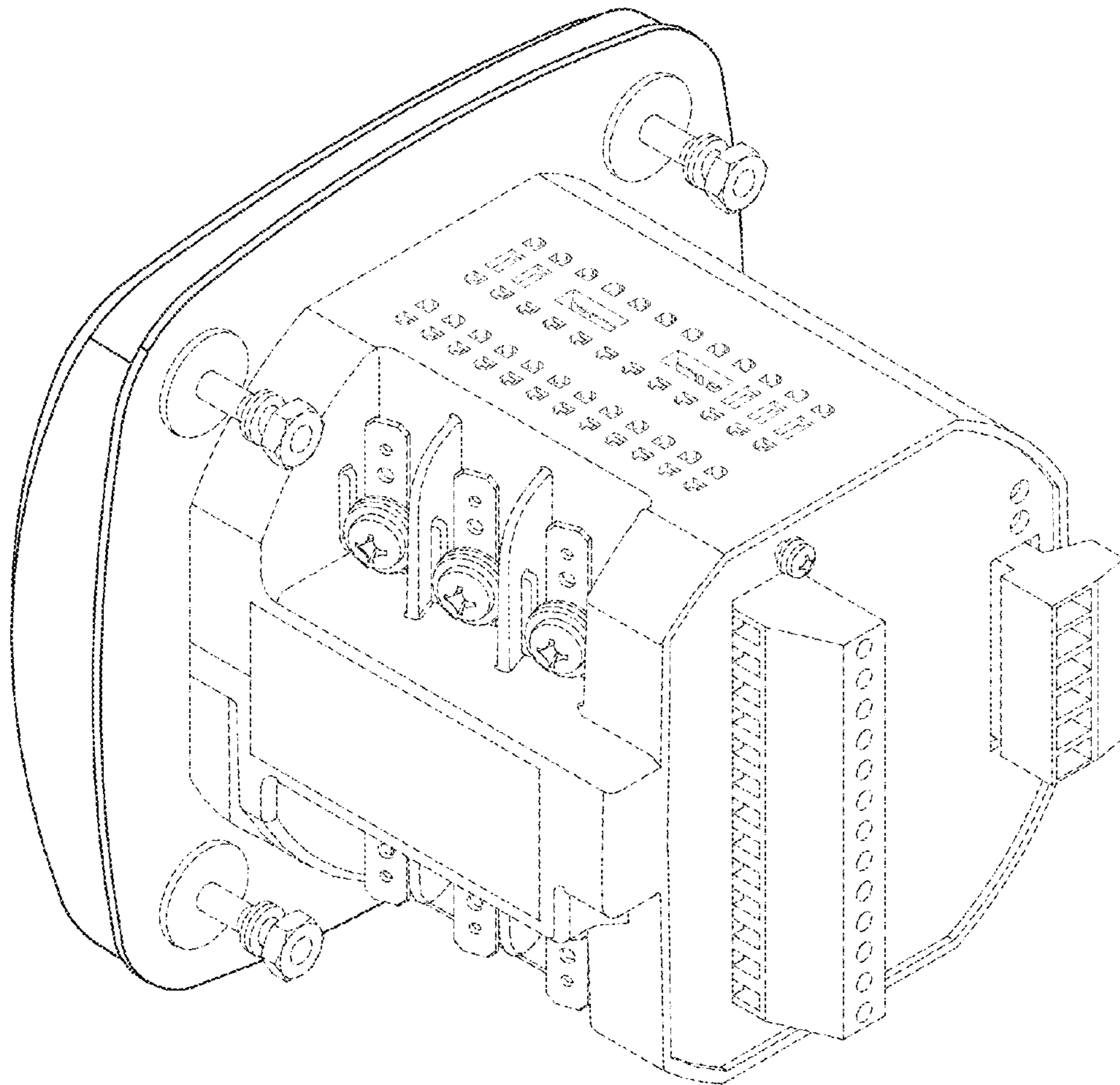


FIG.2

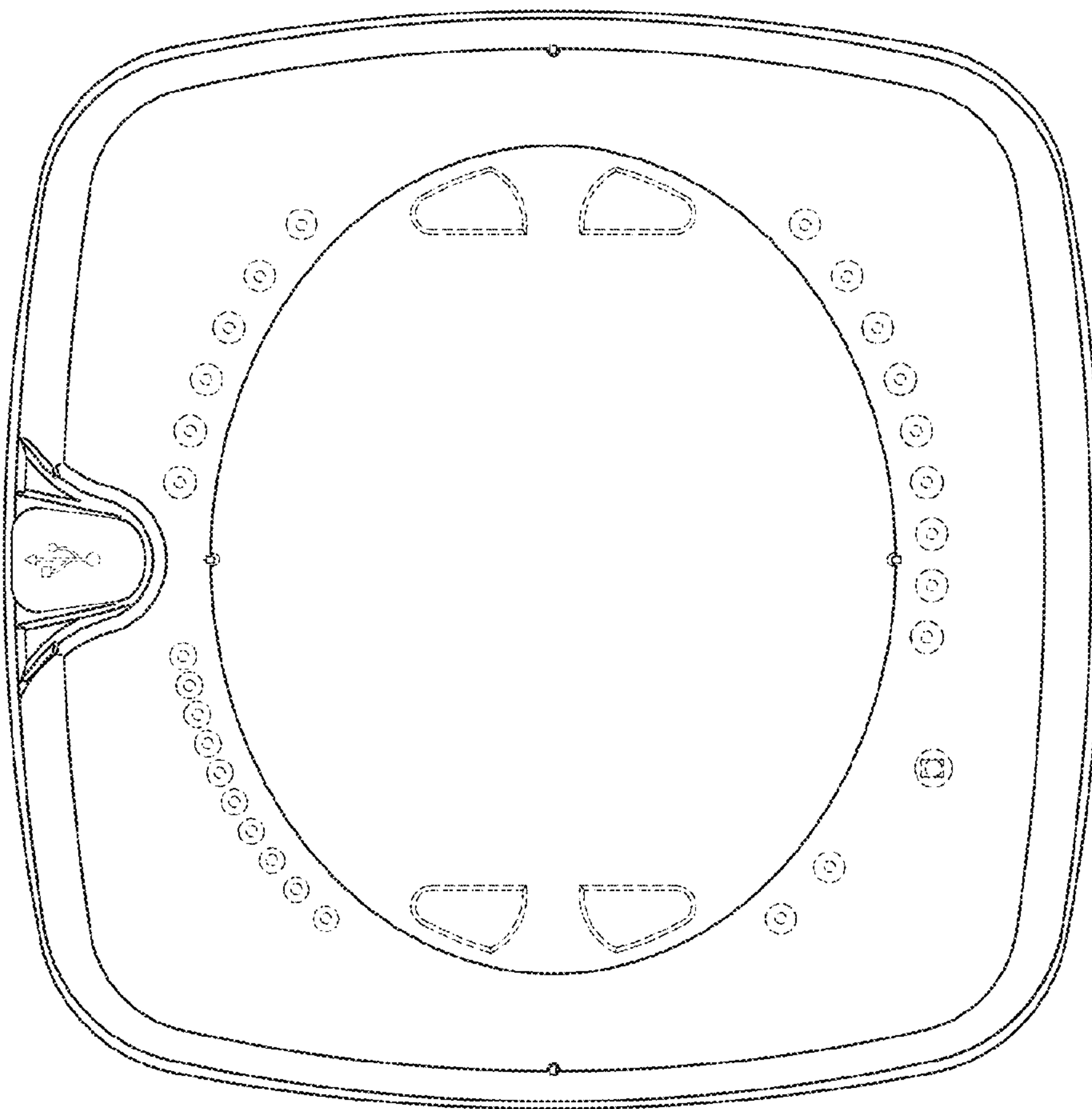


FIG. 3

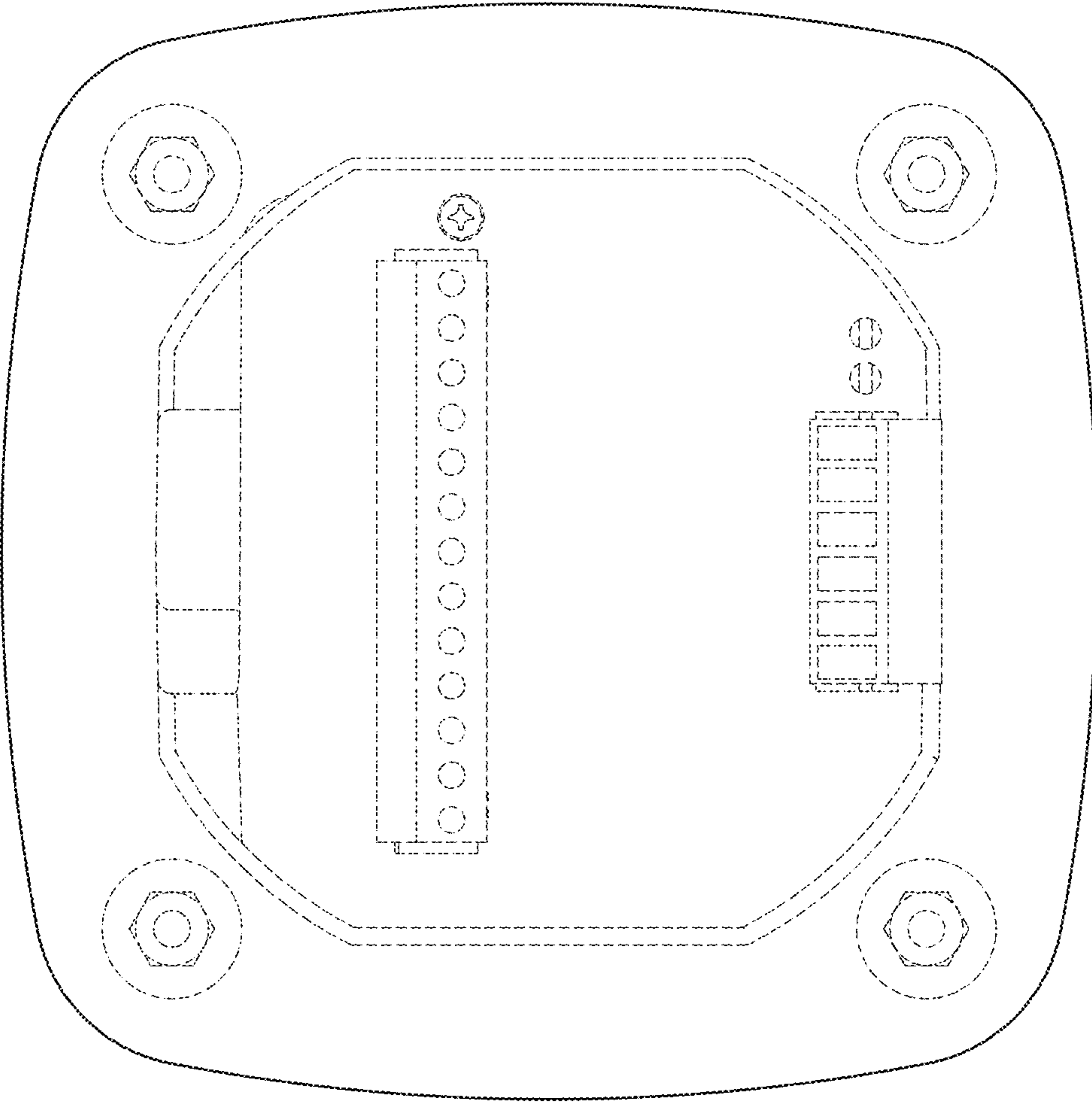


FIG.4

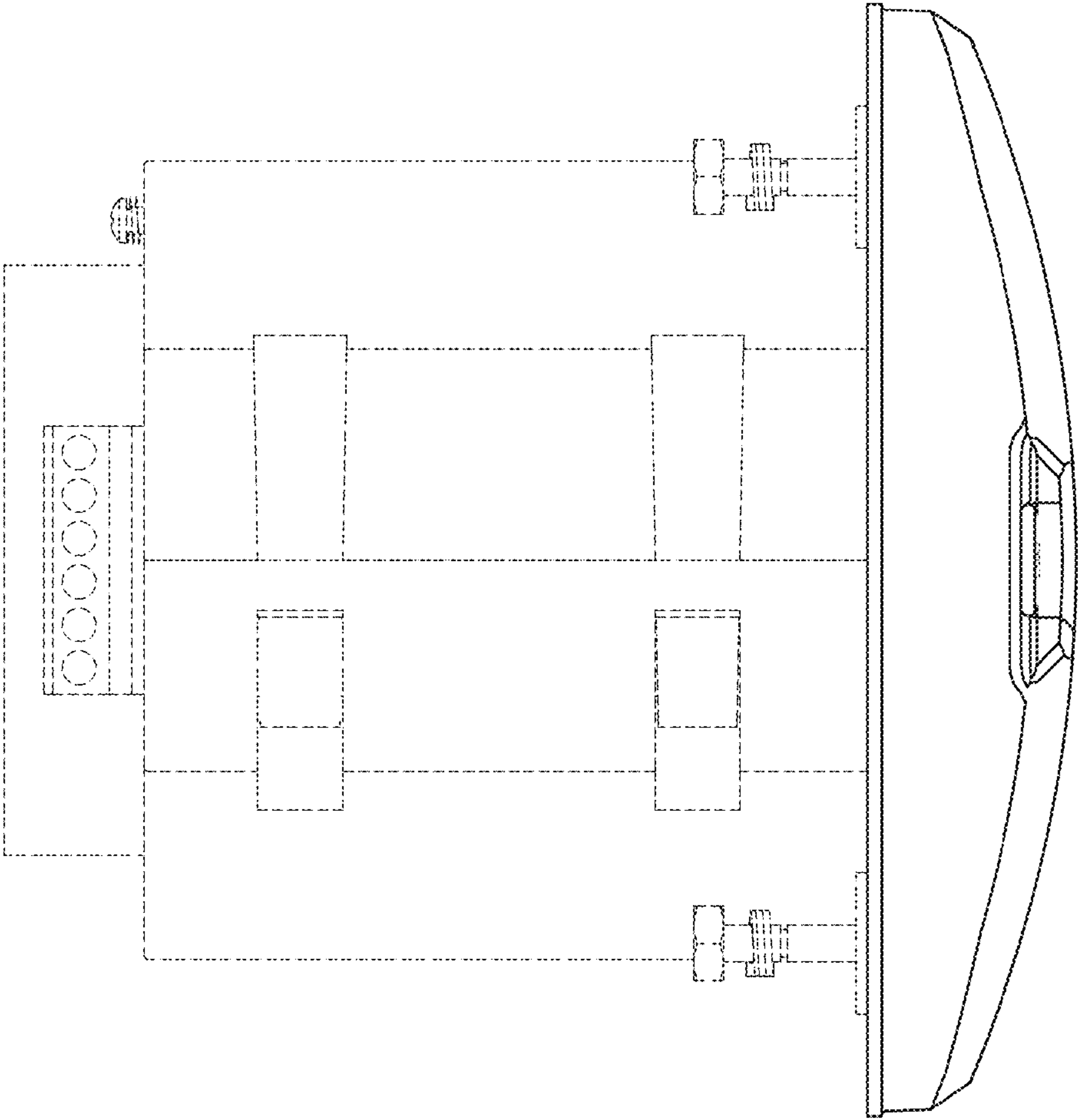


FIG.5

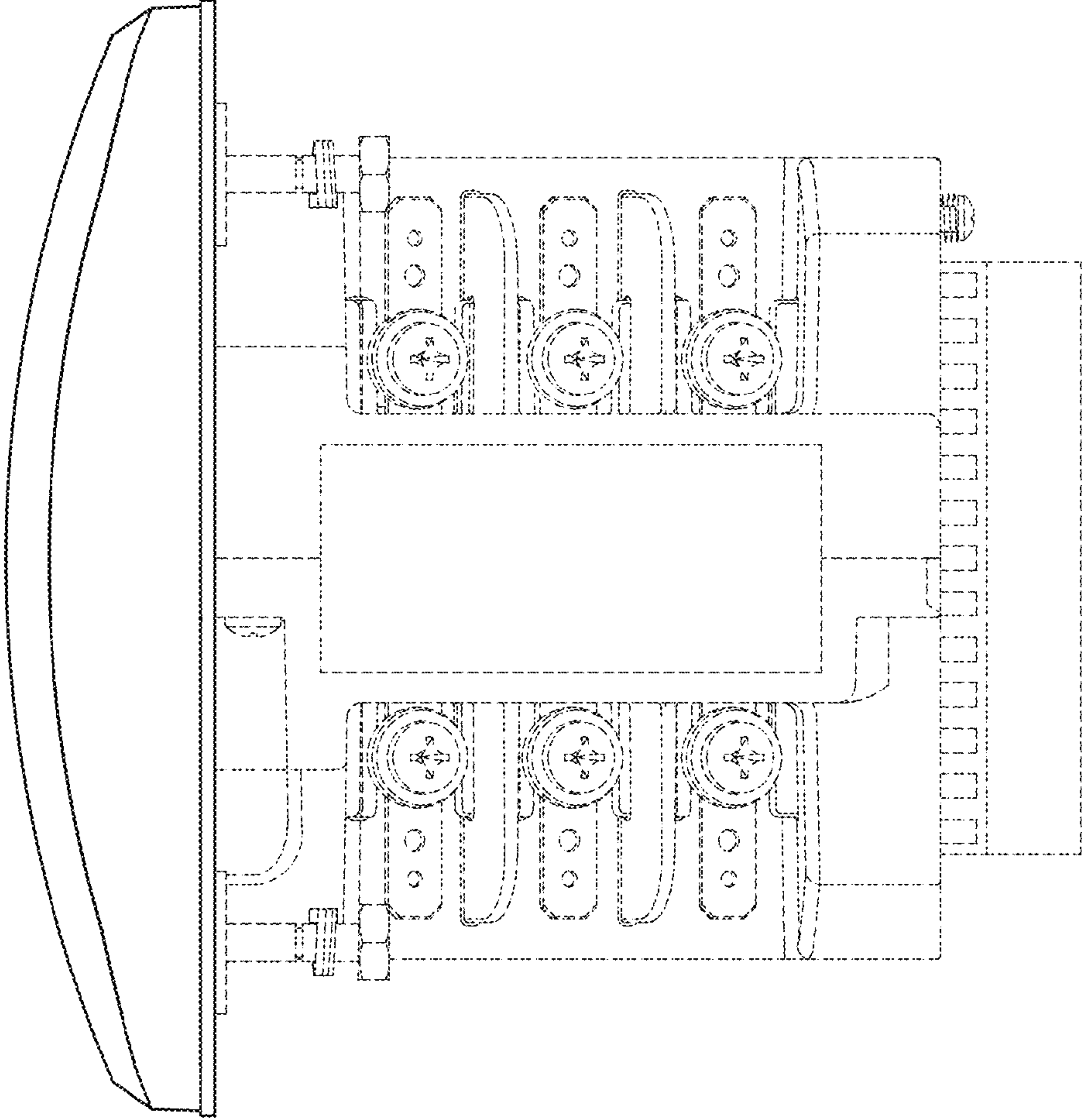


FIG. 6



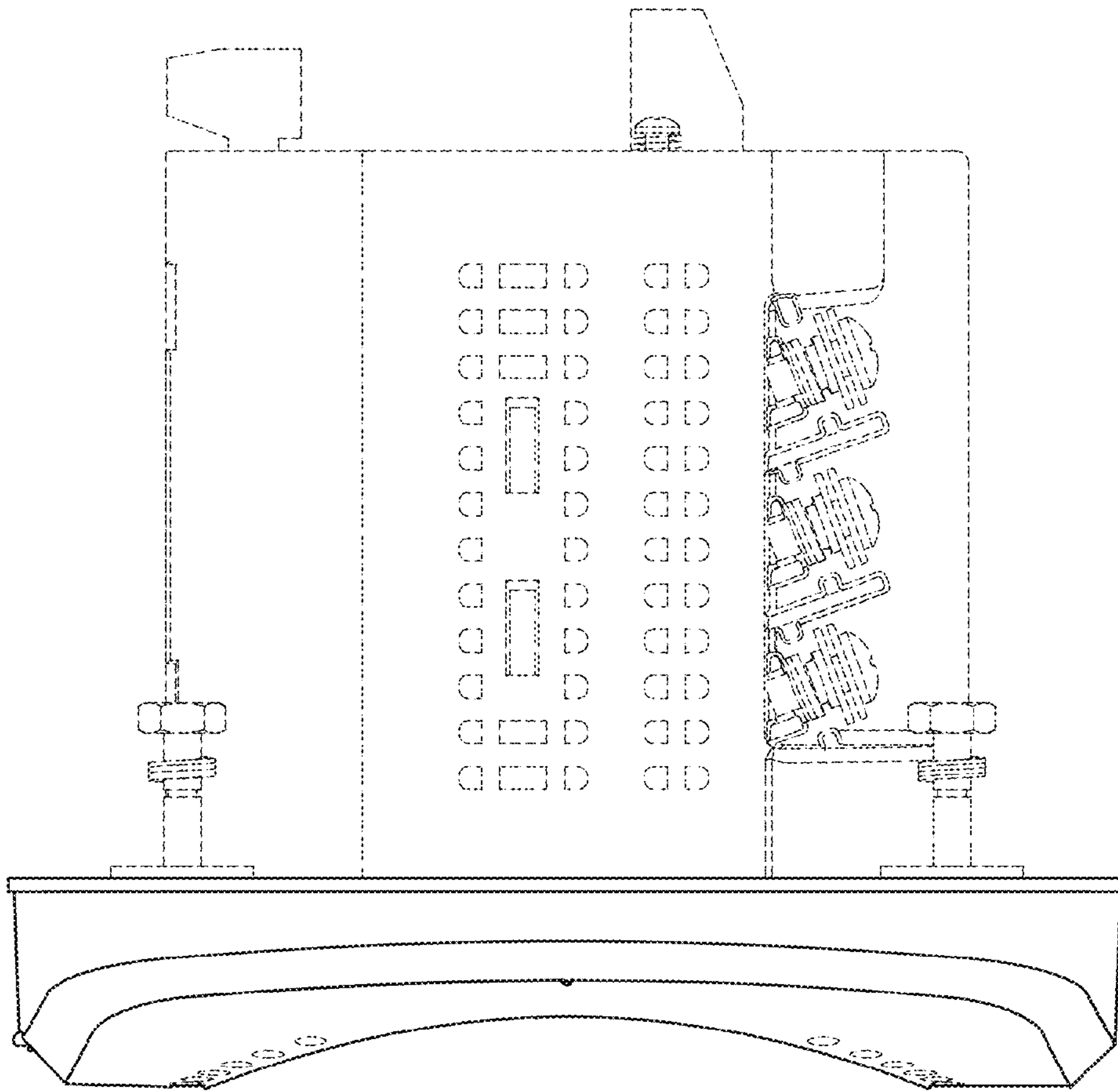


FIG. 7

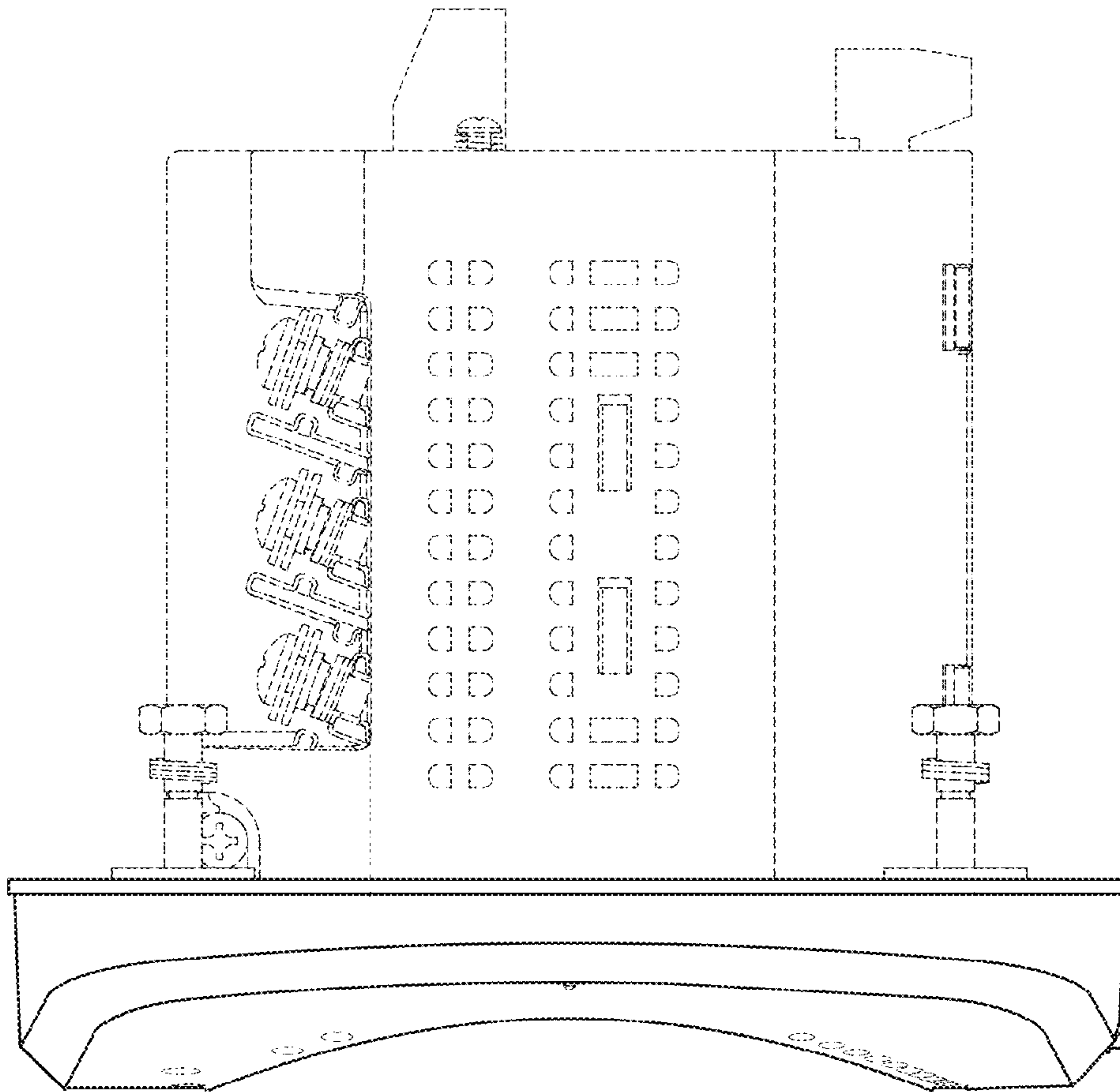


FIG. 8

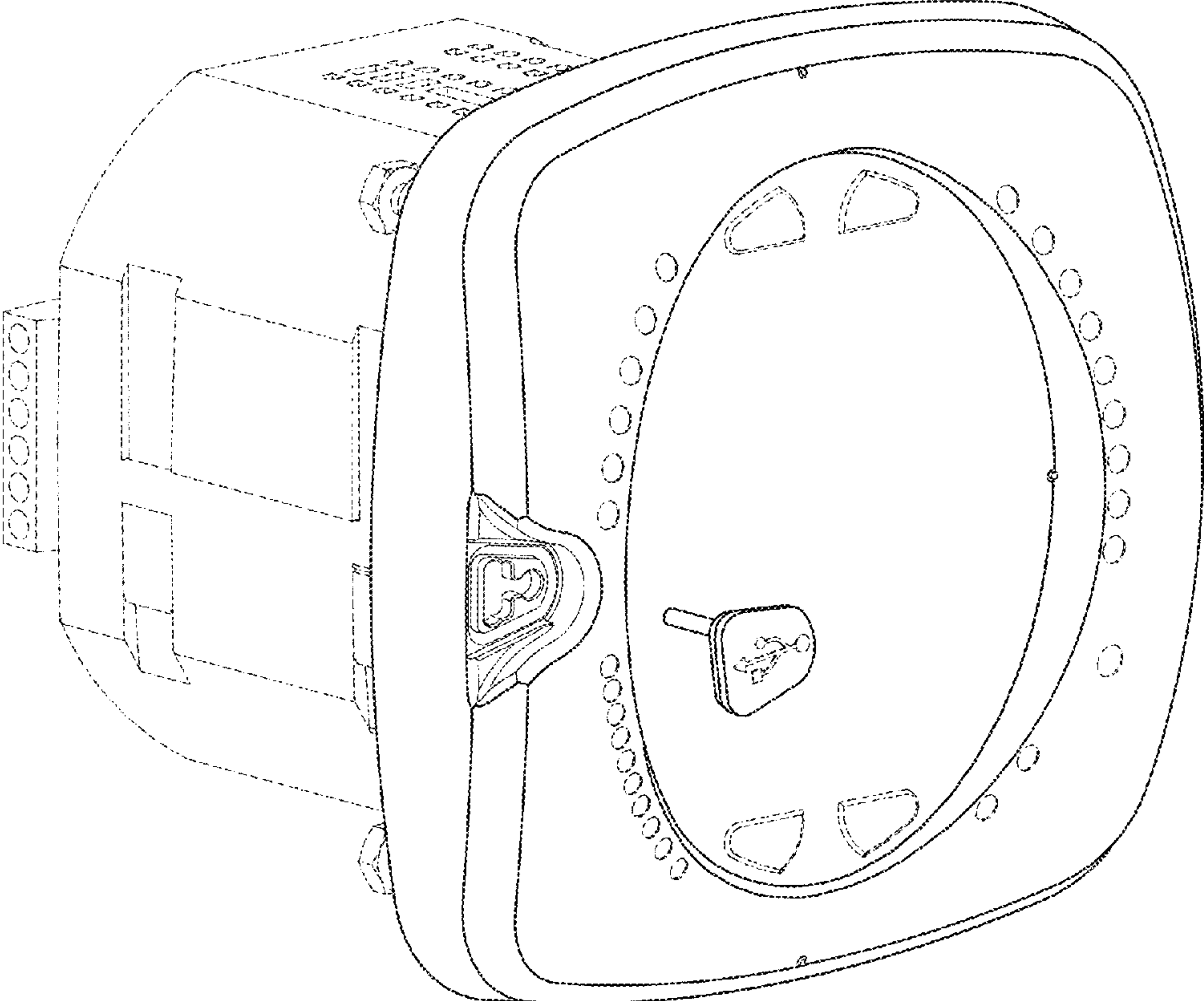


FIG.9

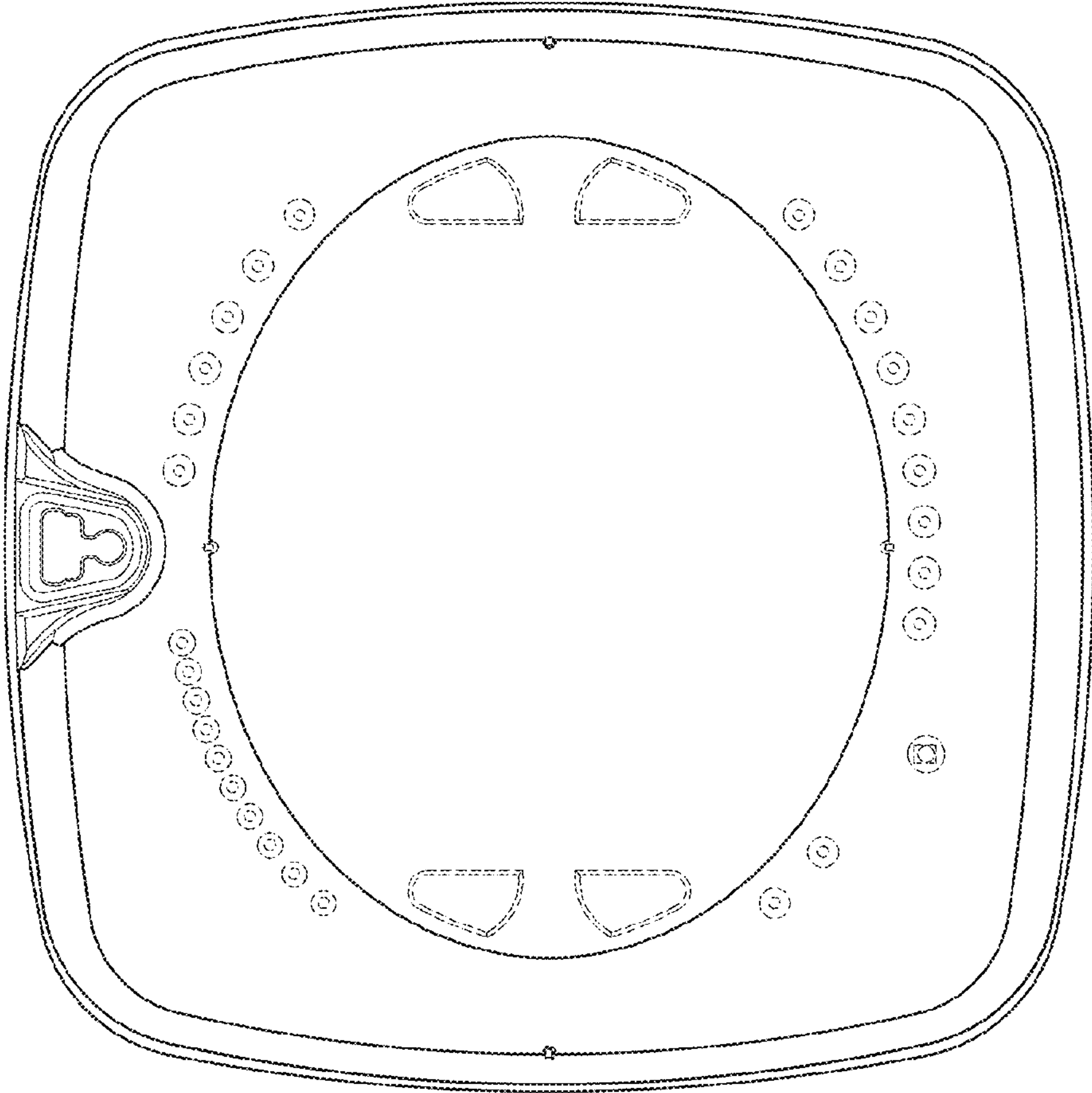


FIG. 10



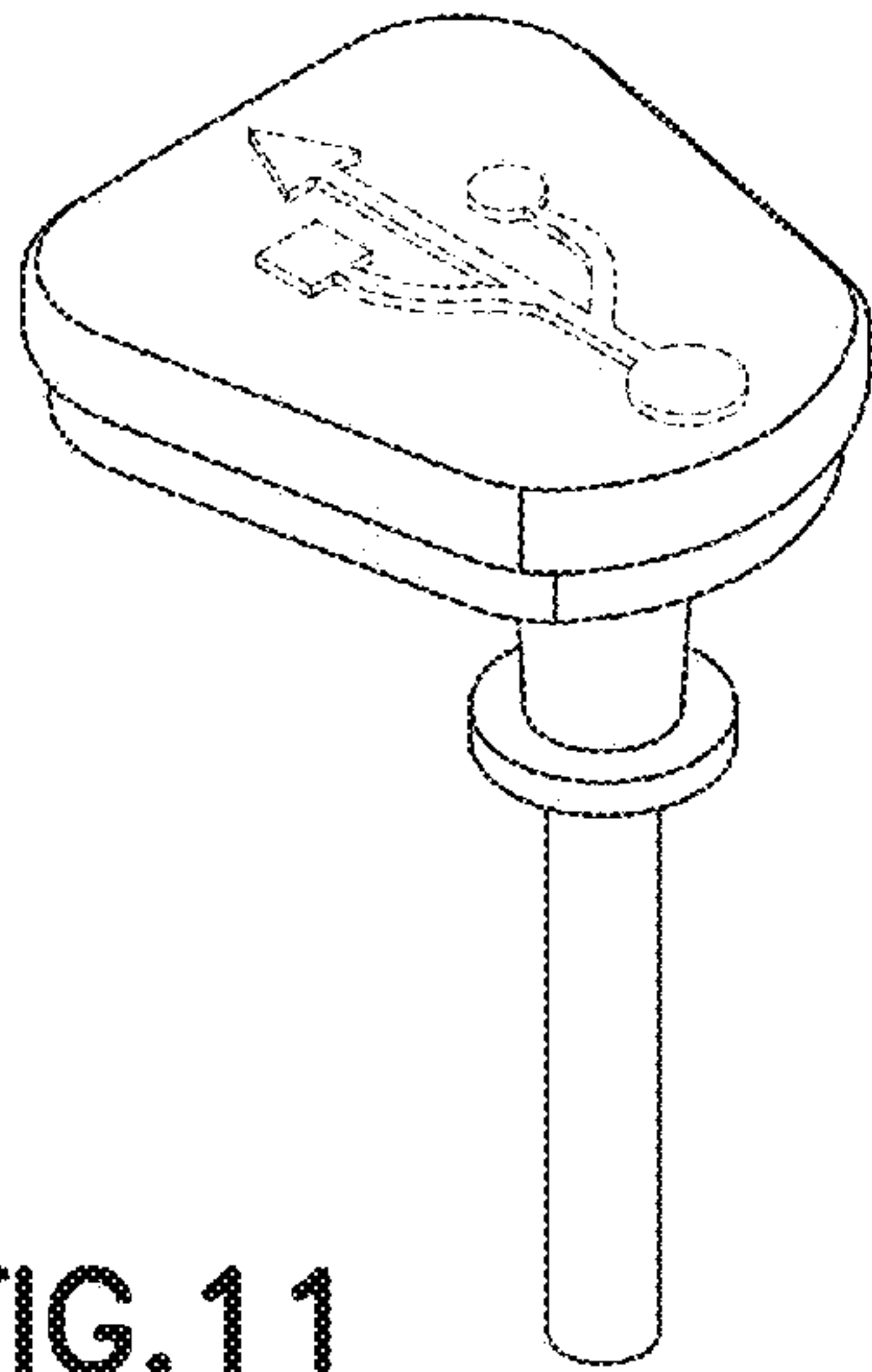


FIG. 11

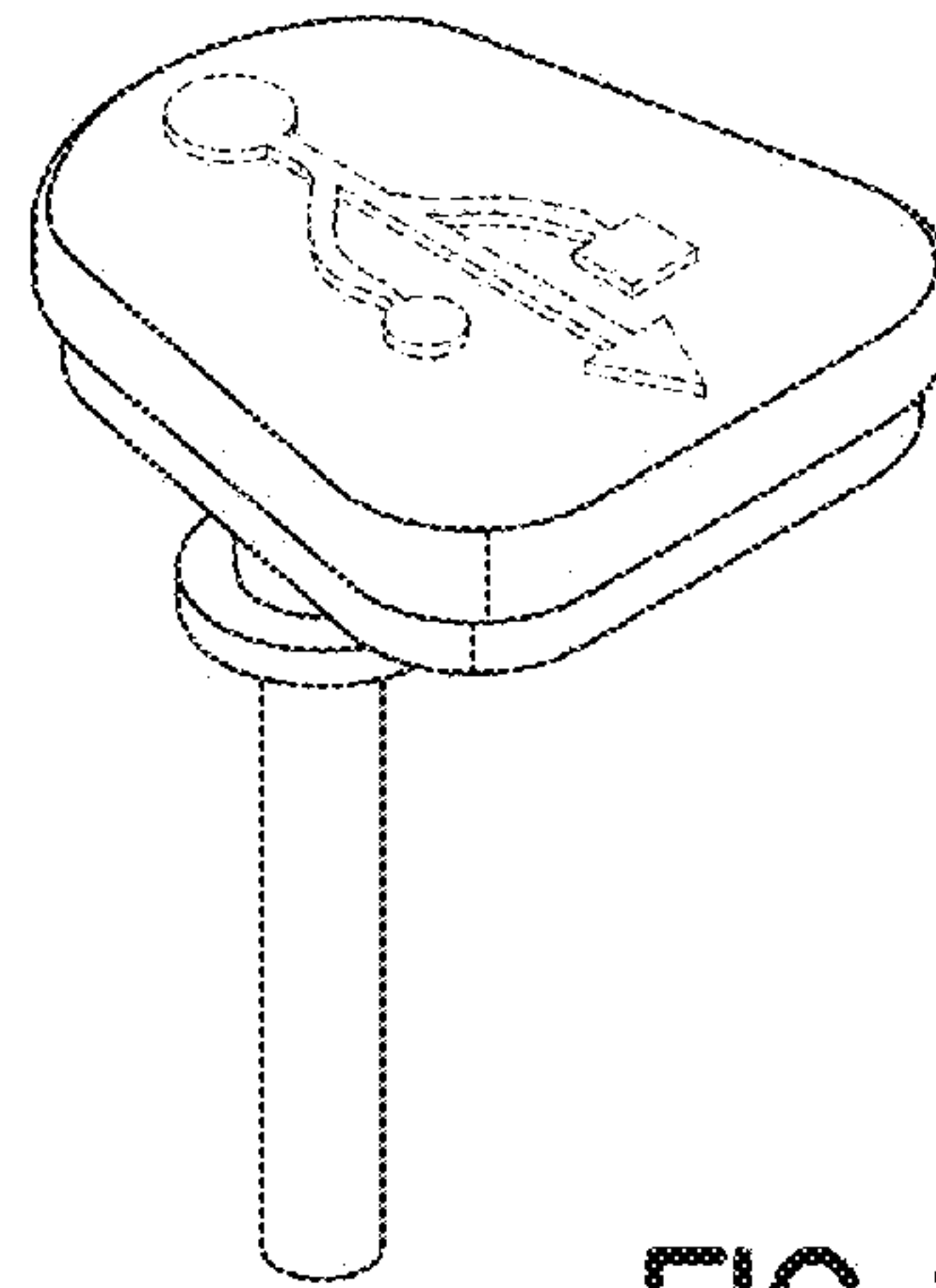


FIG. 12

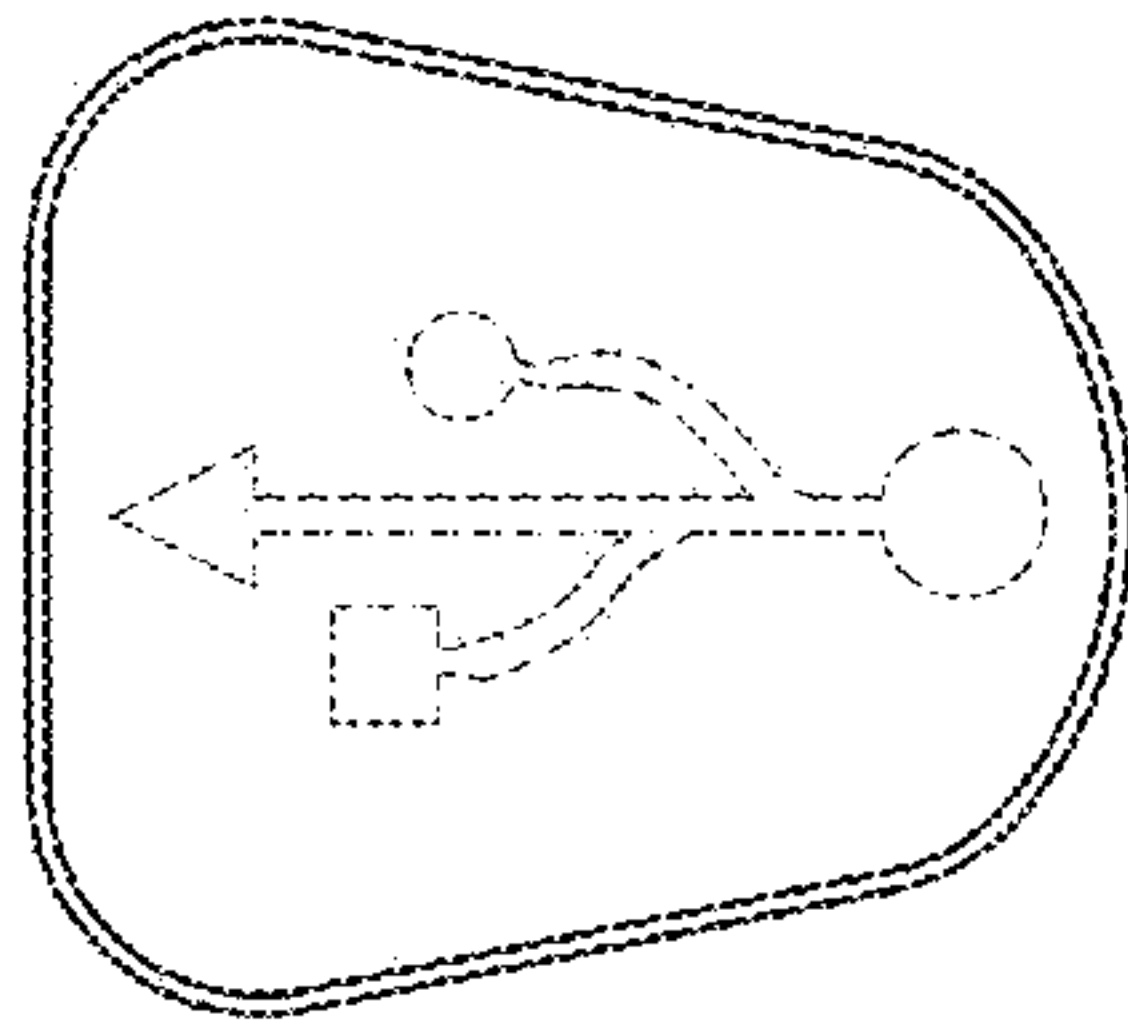


FIG. 13

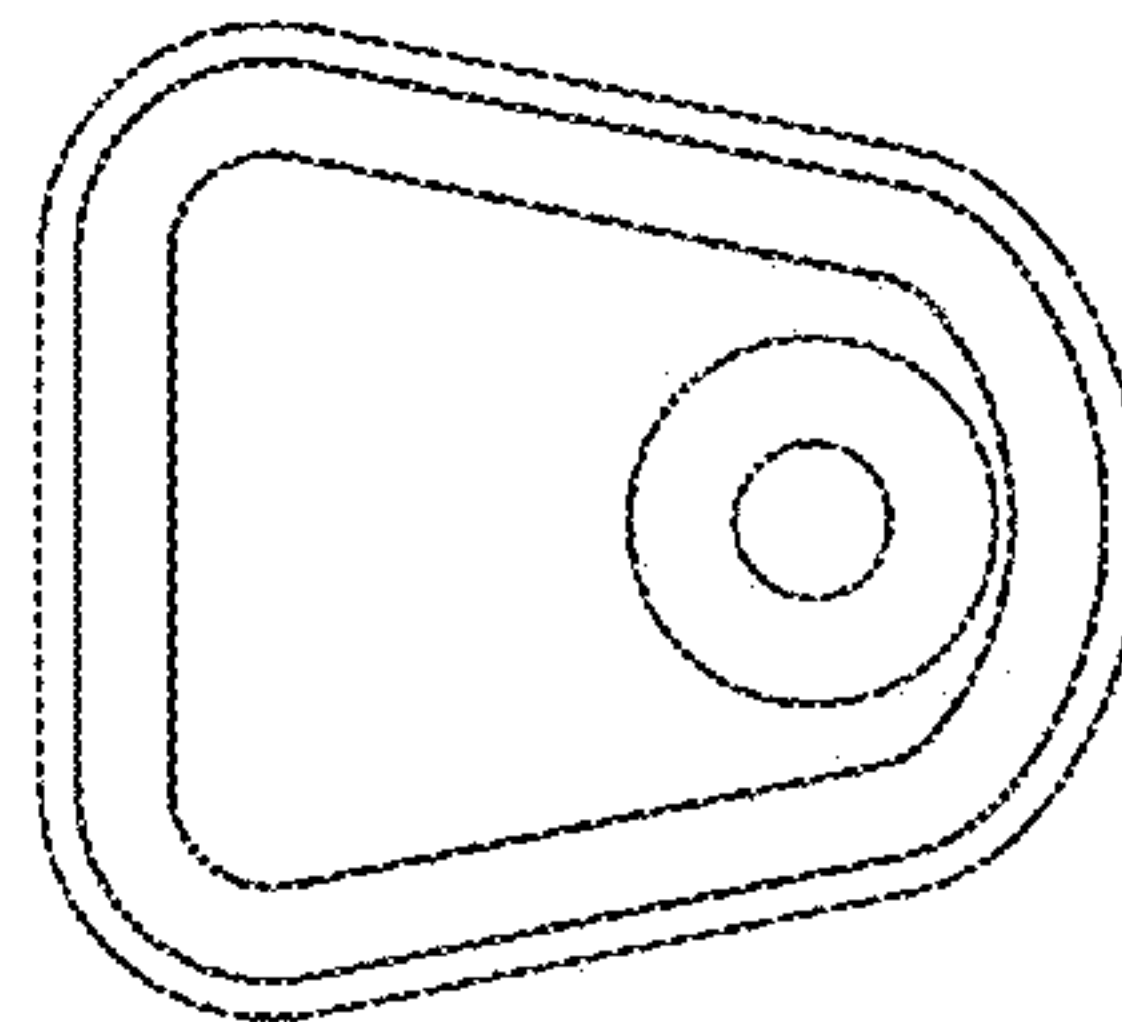


FIG. 14

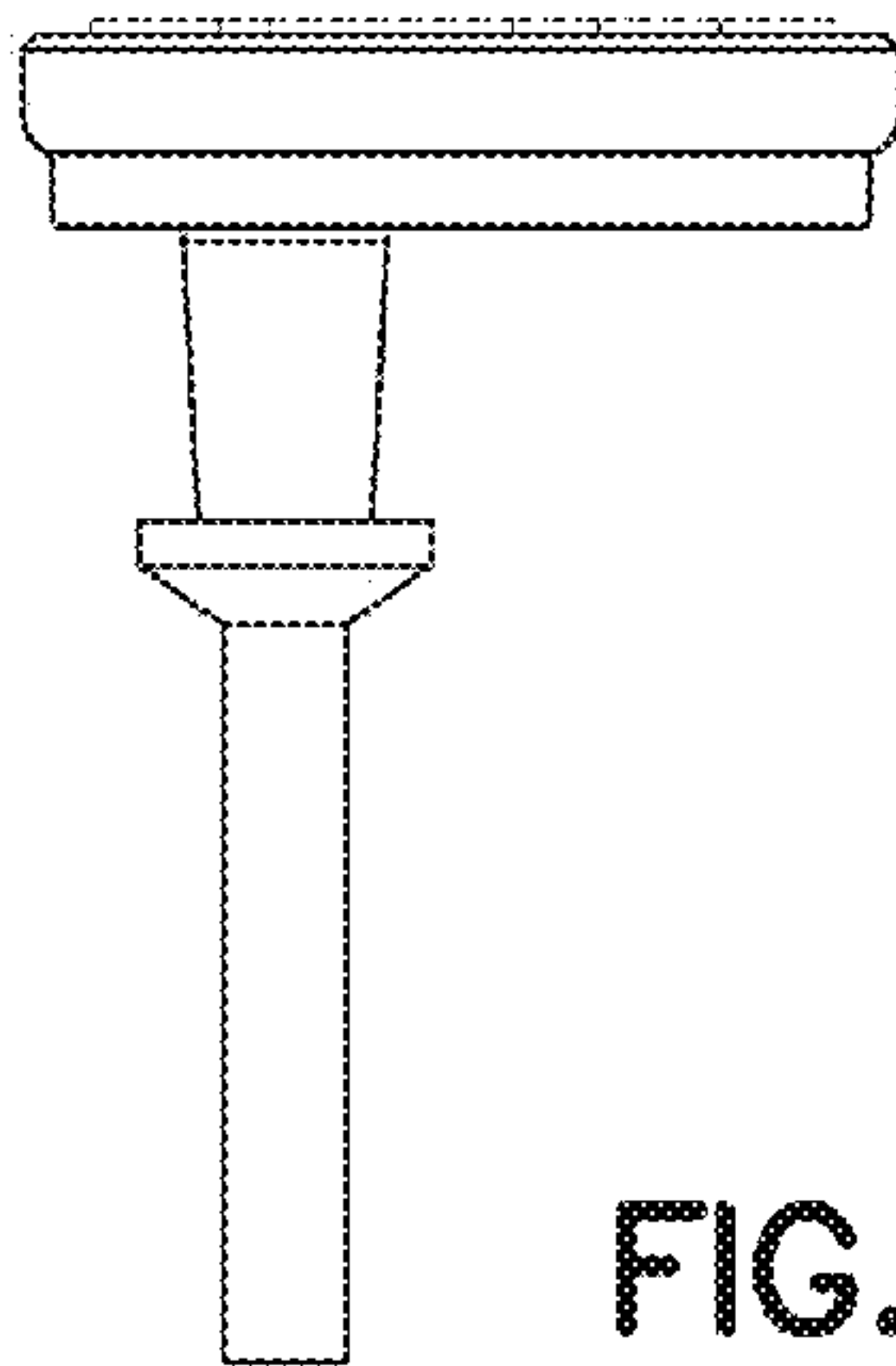


FIG. 15

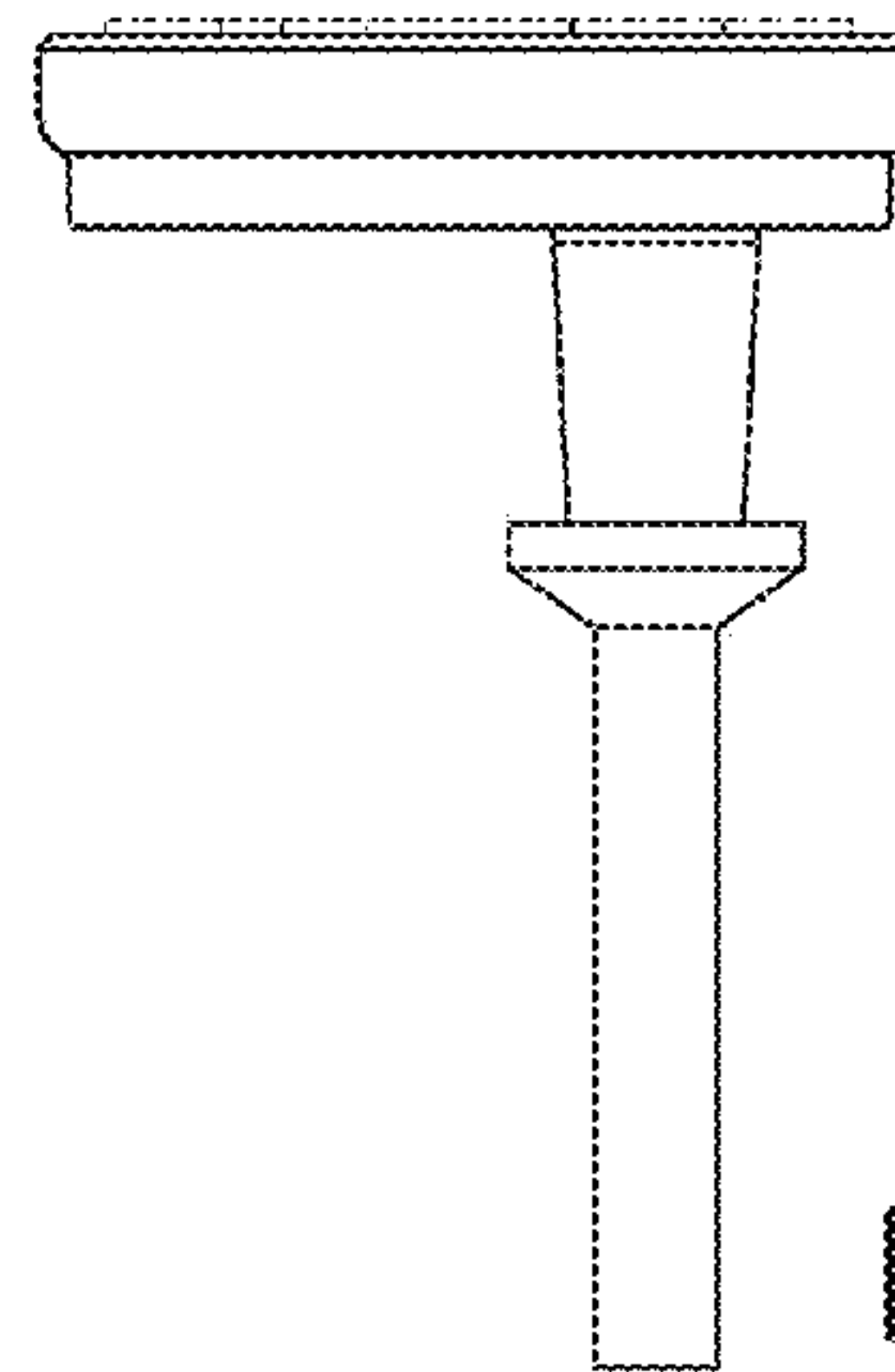


FIG. 16