



US00D712288S

(12) **United States Design Patent**  
**Yamada et al.**

(10) **Patent No.:** **US D712,288 S**  
(45) **Date of Patent:** **\*\* Sep. 2, 2014**

(54) **LOAD CELL**

(71) Applicant: **Tanita Corporation**, Tokyo (JP)

(72) Inventors: **Hiroyuki Yamada**, Akita (JP); **Takao Tsutaya**, Tokyo (JP)

(73) Assignee: **Tanita Corporation**, Tokyo (JP)

(\*\*) Term: **14 Years**

(21) Appl. No.: **29/447,605**

(22) Filed: **Mar. 5, 2013**

(30) **Foreign Application Priority Data**

Sep. 19, 2012 (JP) ..... 2012-022587

(51) **LOC (10) Cl.** ..... **10-04**

(52) **U.S. Cl.**  
USPC ..... **D10/94**

(58) **Field of Classification Search**

CPC . G01G 3/1402; G01G 3/1404; G01G 3/1406;  
G01G 3/1408; G01G 3/141; G01G 3/1412;  
G01G 3/14; G01L 1/2256; G01L 1/2206;  
G01L 1/2218; G01L 1/2225; G01L 1/2231;  
G01L 1/2237; G01L 1/2243

USPC ..... D10/83-85, 94; 177/210 FP, 211, 229;  
29/827, 854

See application file for complete search history.

(56) **References Cited**

**U.S. PATENT DOCUMENTS**

3,263,496 A \* 8/1966 Fathauer ..... 73/862.626  
4,423,793 A \* 1/1984 Caris ..... 177/211  
4,993,506 A 2/1991 Angel  
5,510,581 A 4/1996 Angel  
5,847,329 A 12/1998 Anthoine-Milhomme et al.  
6,409,845 B1 6/2002 Tellebach  
D669,804 S \* 10/2012 Ashino ..... D10/85

D689,390 S \* 9/2013 Okawa et al. .... D10/85  
D689,391 S \* 9/2013 Okawa et al. .... D10/85  
2005/0132820 A1 6/2005 Eilersen  
2007/0084299 A1\* 4/2007 Germanton ..... 73/862.629  
2008/0083290 A1 4/2008 Stadler  
2012/0118649 A1\* 5/2012 Clark et al. .... 177/211

**FOREIGN PATENT DOCUMENTS**

GB 03846 A 0/1912  
JP S59-126760 A 7/1984  
JP H03-063831 U 6/1991  
JP H04-030449 U 3/1992  
JP H04-063027 U 5/1992  
JP H09-021682 A 1/1997  
JP H10-500484 A 1/1998  
JP 2977278 B2 11/1999  
JP 2005-241610 A 9/2005  
JP 2008-507687 A 3/2008  
JP 2008-309578 A 12/2008  
JP 2008-309719 A 12/2008  
JP 2010-230546 A 10/2010

\* cited by examiner

*Primary Examiner* — Antoine D Davis

(57) **CLAIM**

The ornamental design for a load cell, as shown and described.

**DESCRIPTION**

FIG. 1 is a front elevational view of a load cell showing our new design;

FIG. 2 is a rear elevational view thereof;

FIG. 3 is a right side elevational view thereof;

FIG. 4 is a left side elevational view thereof;

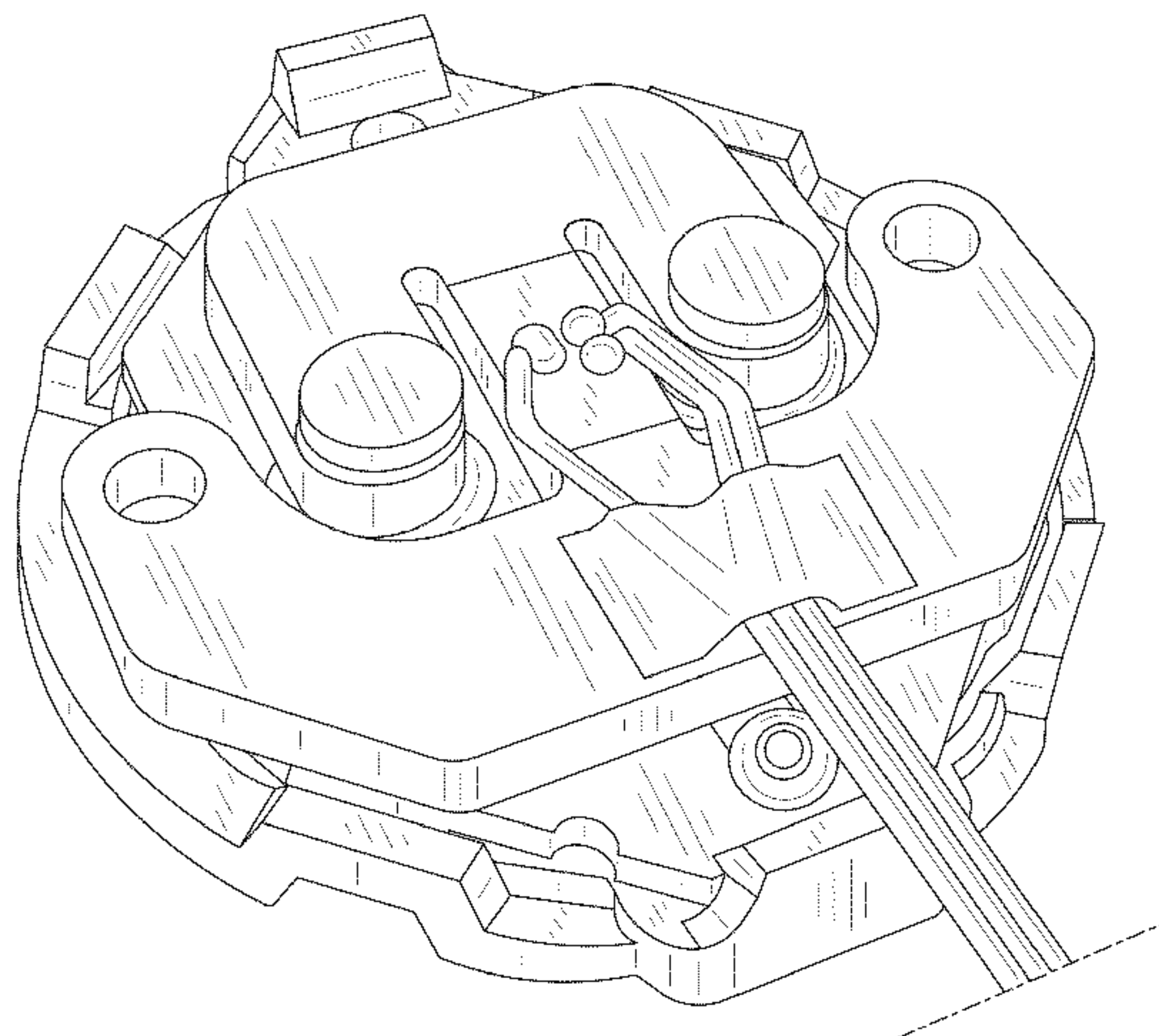
FIG. 5 is a top plan view thereof;

FIG. 6 is a bottom plan view thereof; and,

FIG. 7 is a perspective view thereof.

The broken lines shown in FIG. 6 are for illustrative purposes only and form no part of the claimed design.

**1 Claim, 7 Drawing Sheets**



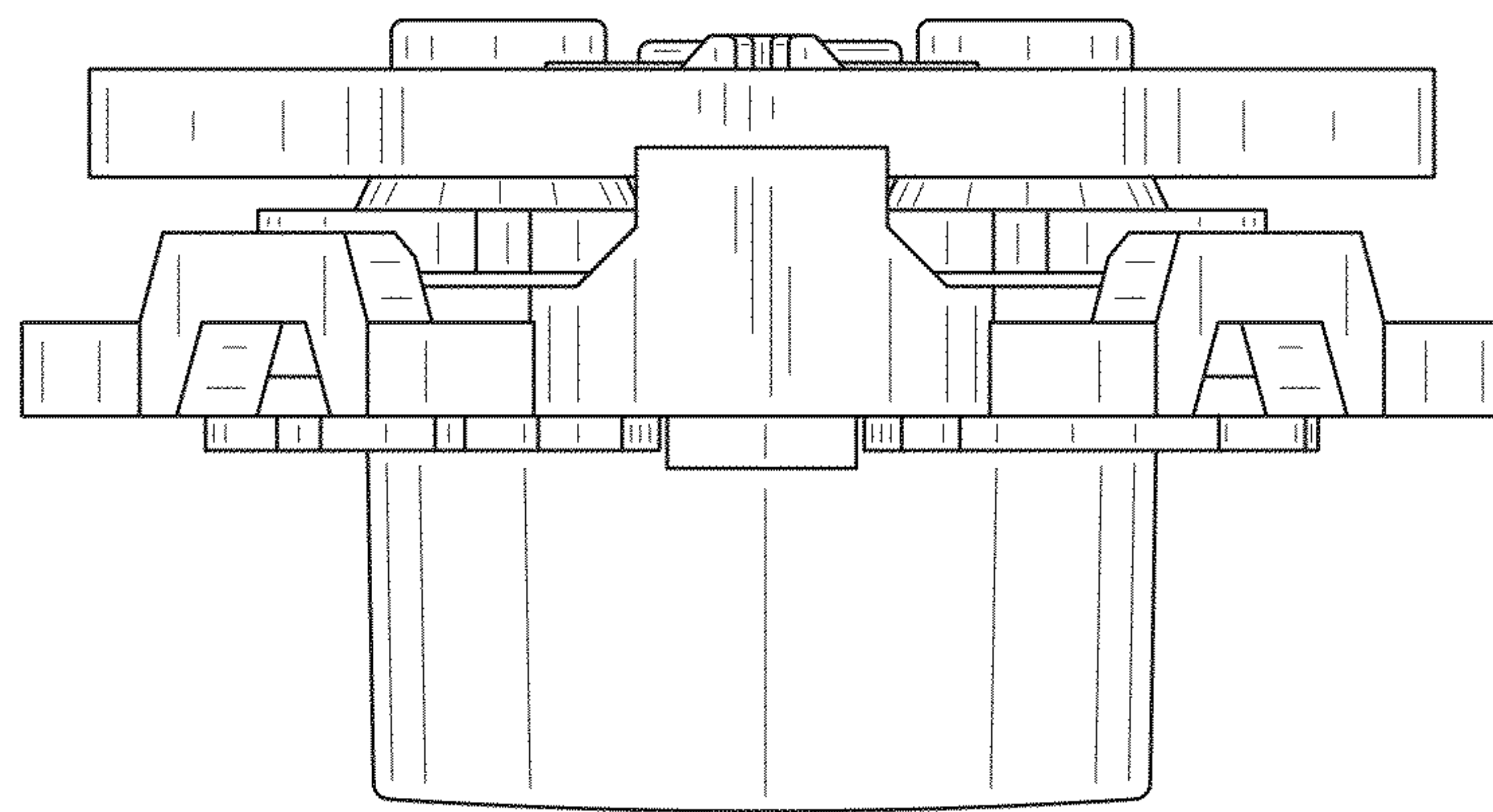


FIG.1

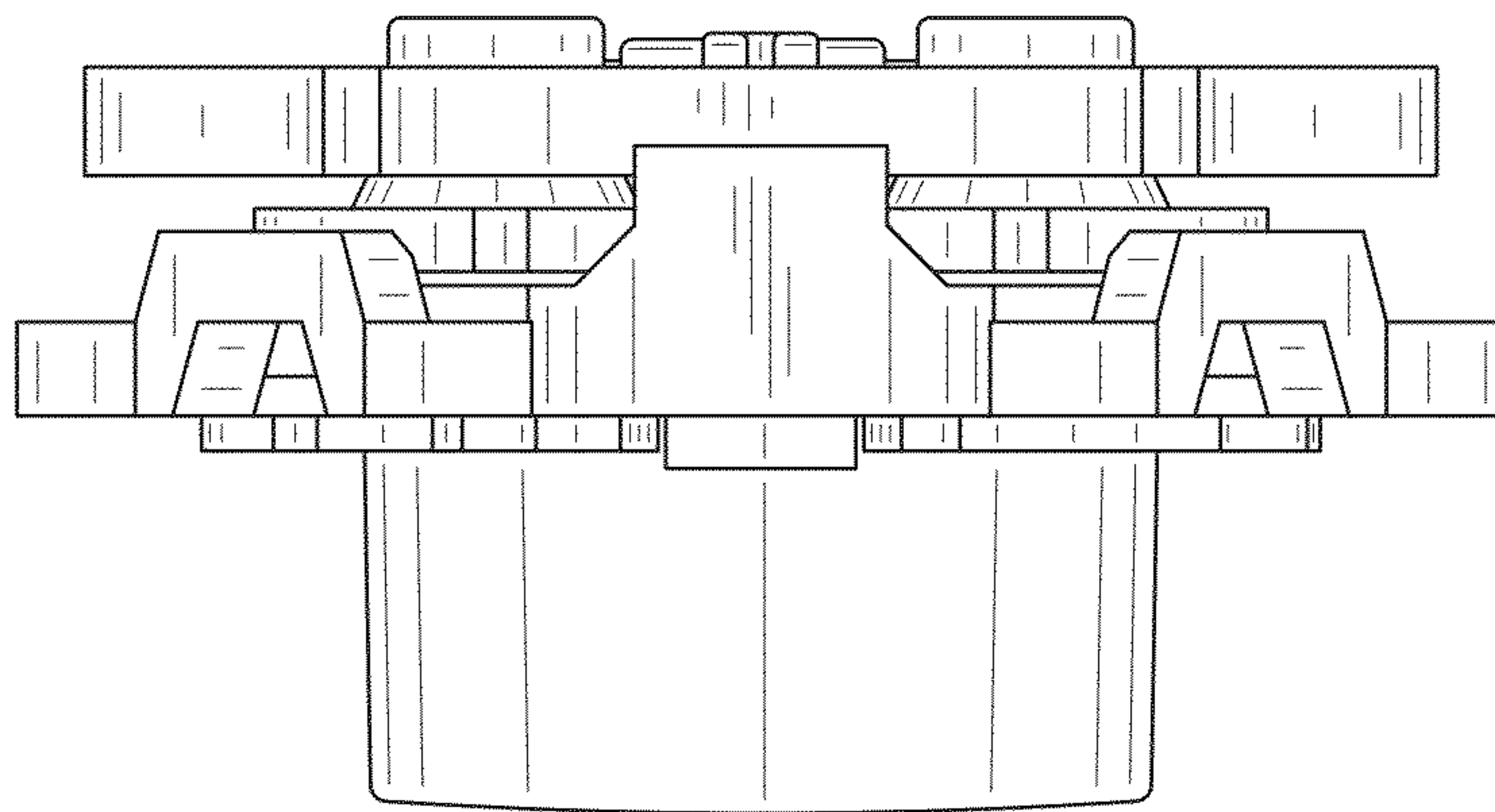


FIG.2

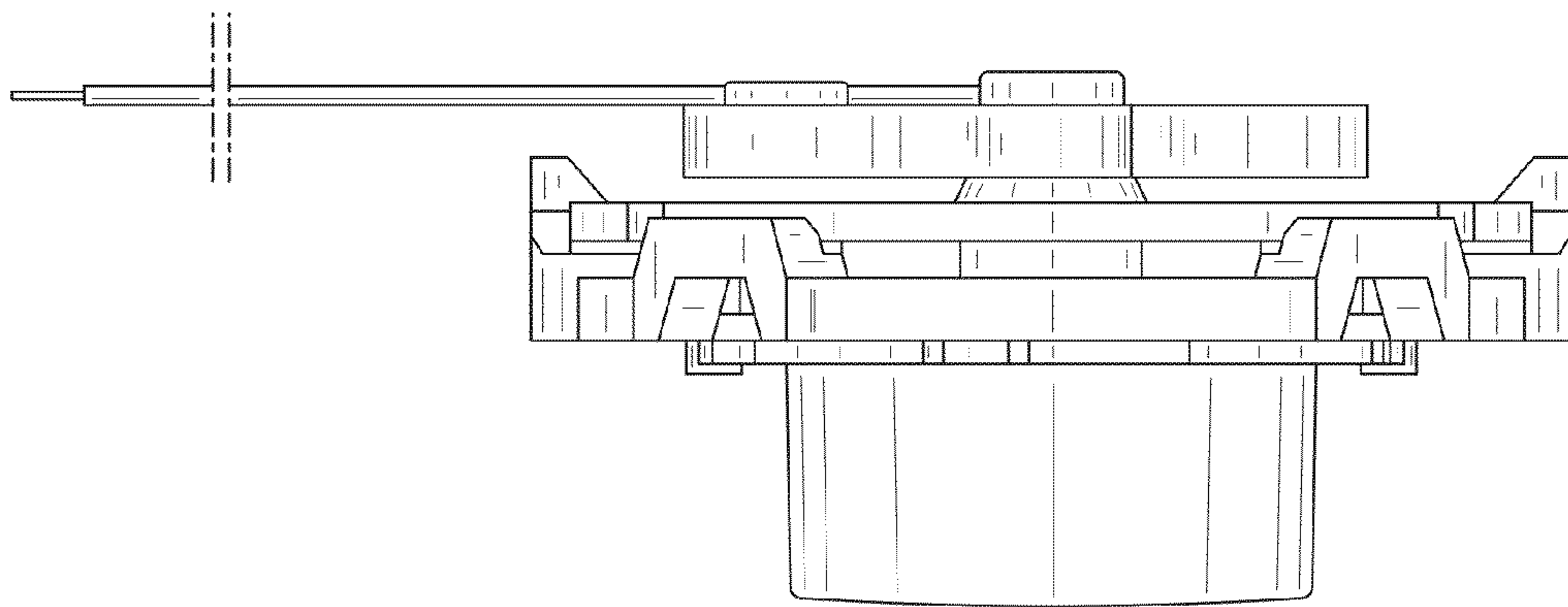


FIG.3

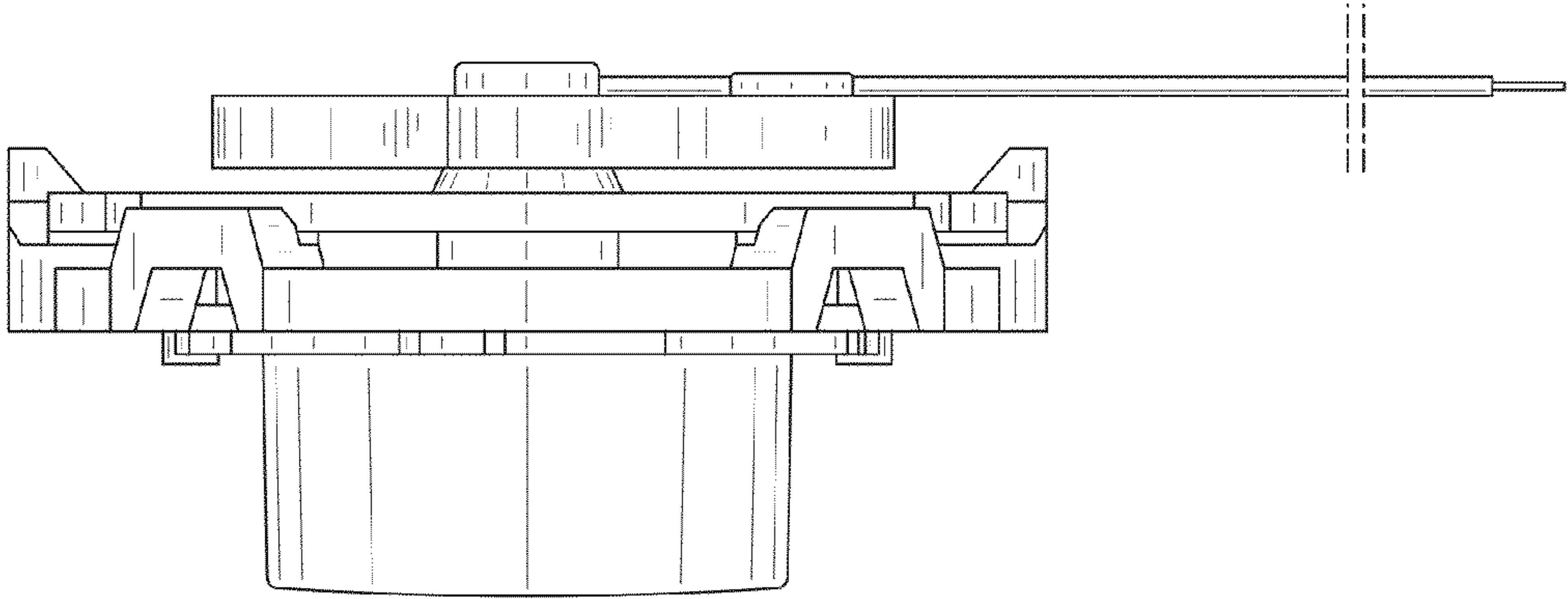


FIG.4

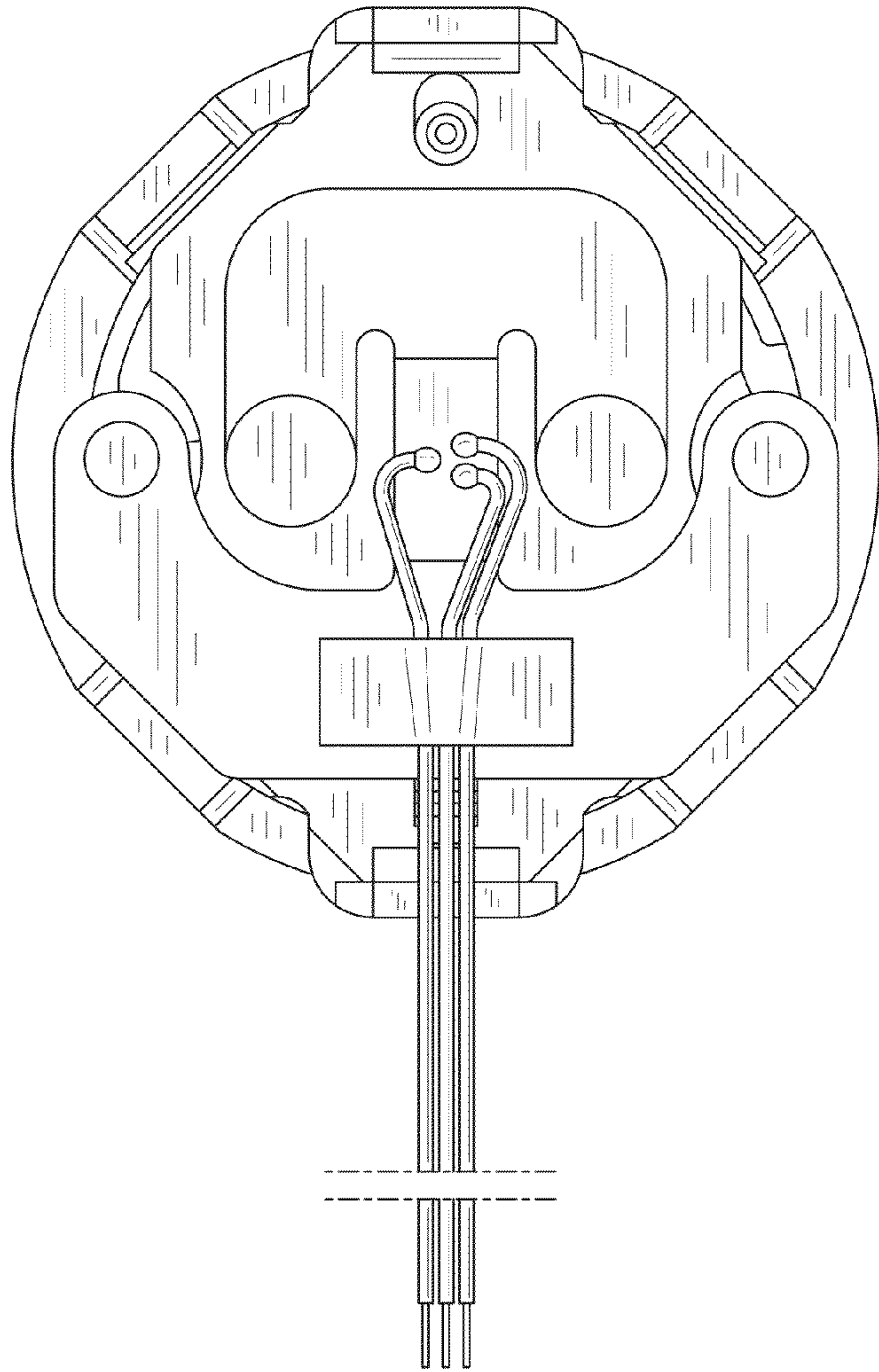


FIG.5



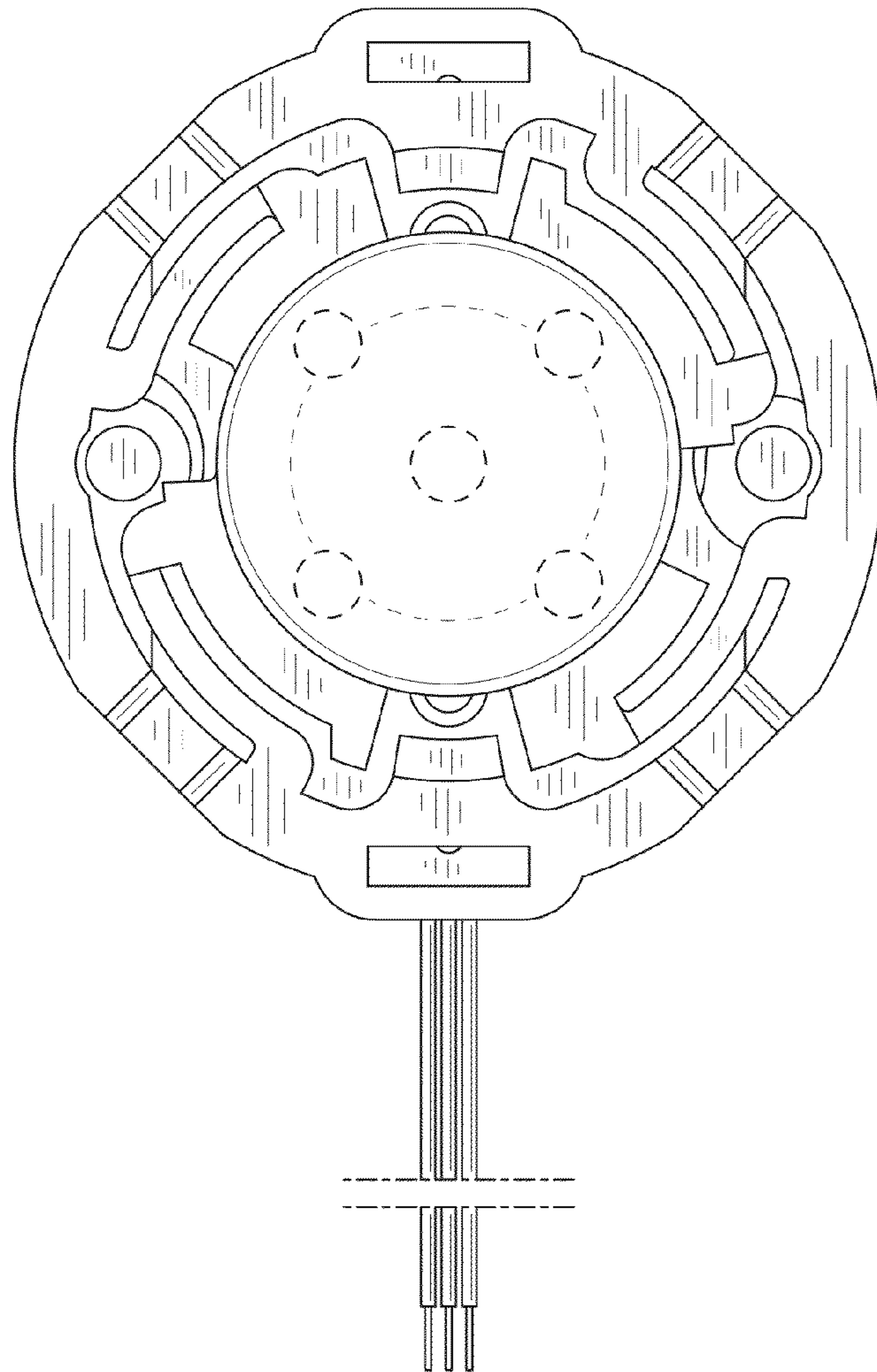


FIG.6

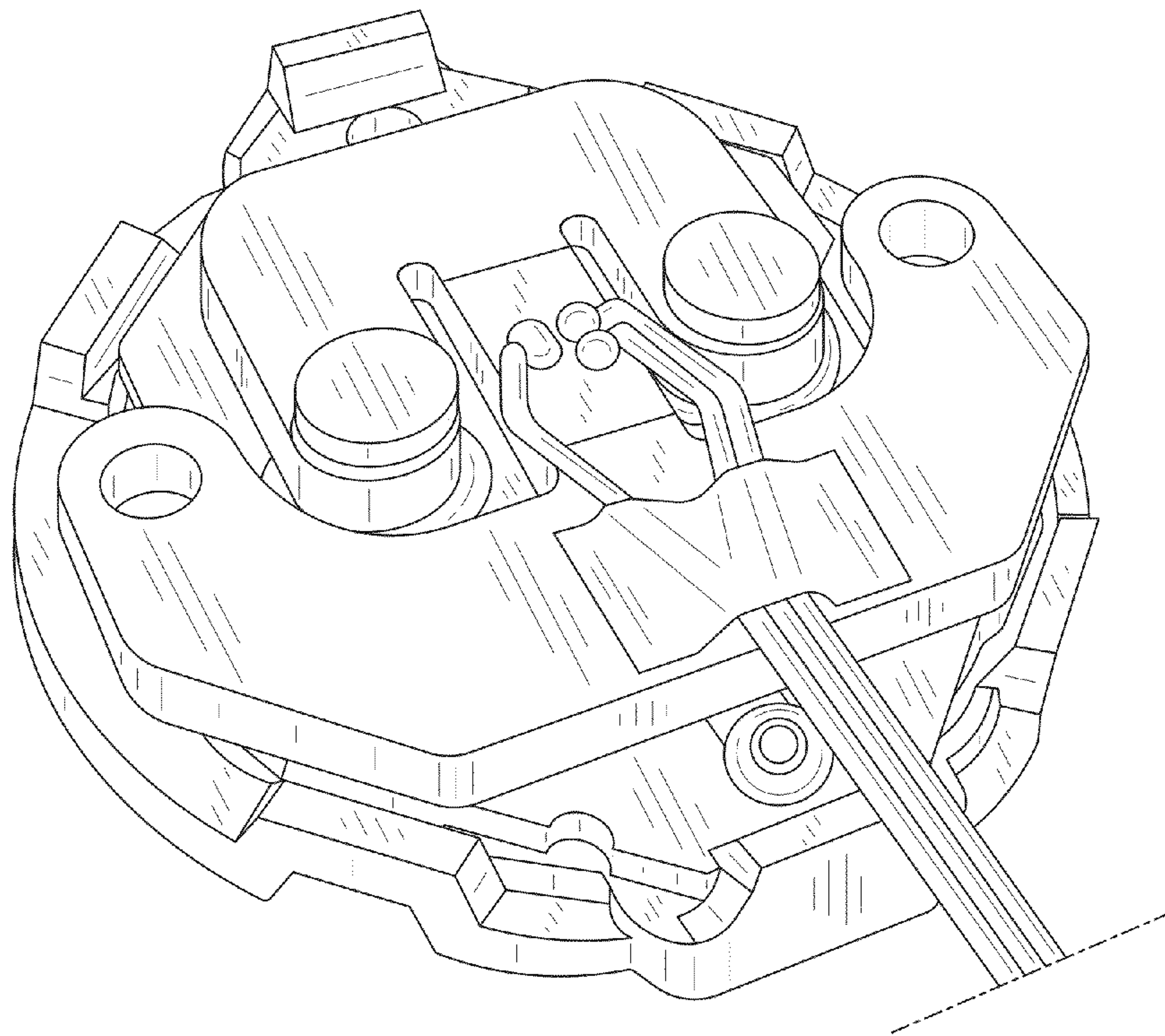


FIG.7