



US00D712285S

(12) **United States Design Patent**
Baldwin et al.

(10) **Patent No.:** **US D712,285 S**

(45) **Date of Patent:** **** Sep. 2, 2014**

(54) **ENCLOSURE FOR A TIMER**

(71) Applicant: **Reliance Controls Corporation**,
Racine, WI (US)

(72) Inventors: **Jeffrey P. Baldwin**, Phoenix, AZ (US);
Philip B. Baldwin, Glendale, AZ (US);
John Klein, Gilbert, AZ (US)

(73) Assignee: **Reliance Controls Corporation**,
Racine, WI (US)

(**) Term: **14 Years**

(21) Appl. No.: **29/457,076**

(22) Filed: **Jun. 6, 2013**

(51) **LOC (10) Cl.** **10-03**

(52) **U.S. Cl.**
USPC **D10/40; D13/162**

(58) **Field of Classification Search**
USPC D10/40, 41; D13/158, 162, 162.1, 164,
D13/168, 170, 125; 368/10, 89, 96-100,
368/107-121; 200/38 D, 38 DA, 33 R, 315,
200/329-331; 137/624.11, 624.12, 624.18,
137/624.21, 624.22; 239/67-70; 700/3, 15,
700/16, 282-284; 174/50, 53, 66, 67, 520
See application file for complete search history.

(56) **References Cited**

U.S. PATENT DOCUMENTS

2,677,732	A *	5/1954	Miller	200/38 DA
D270,715	S *	9/1983	Perethian	D10/40
4,766,331	A *	8/1988	Flegel et al.		
D310,338	S *	9/1990	Cureton	D10/40
5,266,841	A *	11/1993	Flegel		
5,479,338	A *	12/1995	Ericksen et al.	700/16
D406,775	S *	3/1999	Kadono	D10/40
6,121,889	A *	9/2000	Janda et al.	340/815.47
6,259,955	B1 *	7/2001	Brundisini et al.	700/15
6,402,049	B1 *	6/2002	Youngs, Jr.	239/70

D492,264	S *	6/2004	Perez et al.	D13/162
D511,979	S *	11/2005	Echito et al.	D10/40
7,077,281	B2 *	7/2006	Sato et al.	220/3.8
D535,571	S *	1/2007	Simon et al.	D10/40
D546,772	S *	7/2007	Venegas et al.	D13/162
7,244,900	B1 *	7/2007	Gray, Jr.	200/331
7,326,853	B2 *	2/2008	Fontana et al.	174/50
D580,373	S *	11/2008	Stange et al.	D13/162
D612,813	S *	3/2010	Paul	D13/162
7,763,799	B2 *	7/2010	Johnson	174/67
7,792,612	B2 *	9/2010	Kah, Jr.	700/284
7,915,528	B2 *	3/2011	Ni	174/53
8,104,509	B2 *	1/2012	Leer et al.	137/624.11
D689,441	S *	9/2013	Kah et al.	D13/162
2006/0030971	A1 *	2/2006	Nelson et al.	700/284
2007/0179674	A1 *	8/2007	Ensworth et al.	700/284
2008/0319585	A1 *	12/2008	Nickerson et al.	700/284
2010/0030476	A1 *	2/2010	Woytowicz et al.	702/3

* cited by examiner

Primary Examiner — Martie K Holtje

(74) *Attorney, Agent, or Firm* — Boyle Fredrickson, S.C.

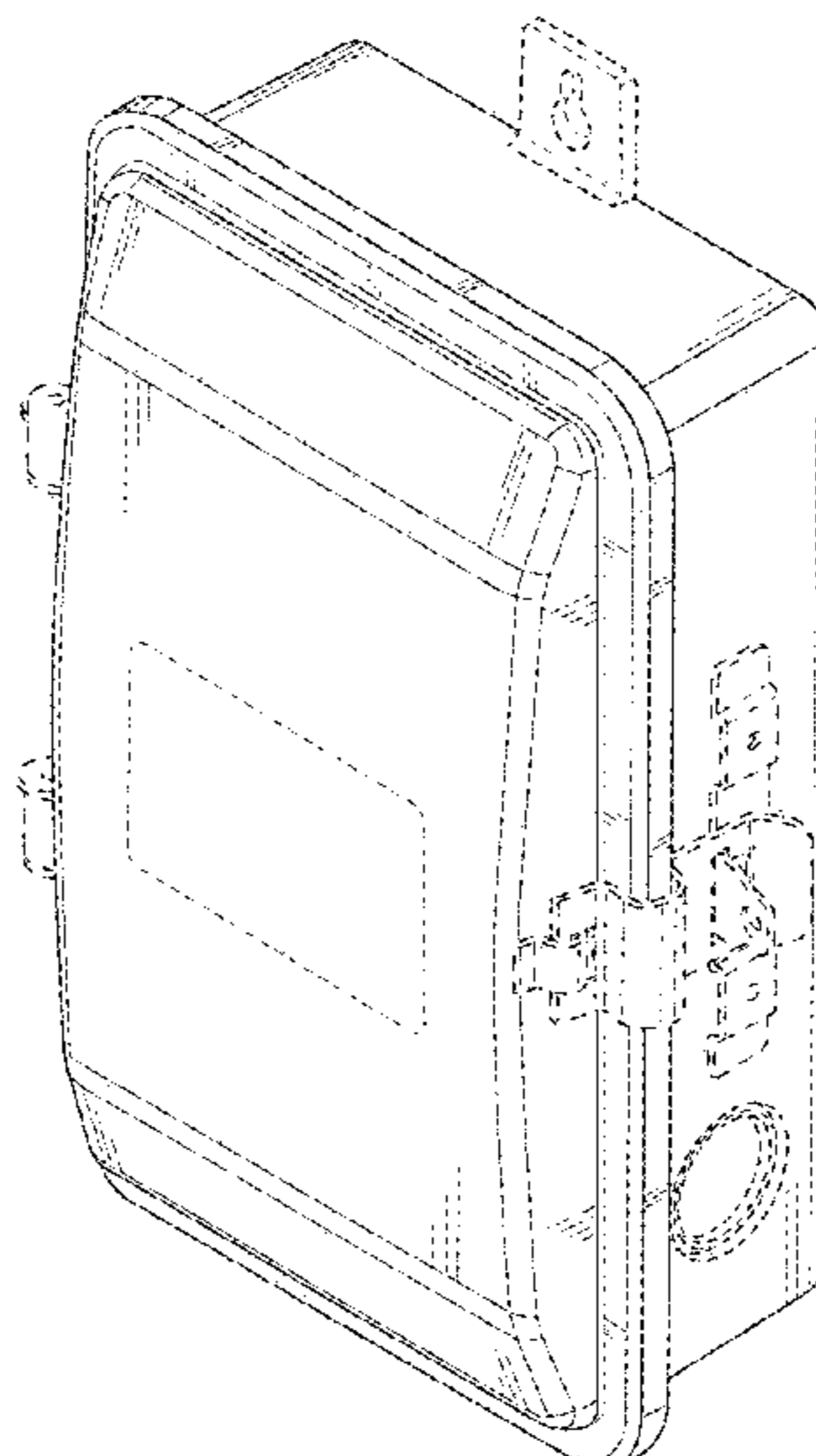
(57) **CLAIM**

The ornamental design for an enclosure for a timer, as shown and described.

DESCRIPTION

FIG. 1 is a top, right front perspective view of an enclosure for a timer showing our new design;
FIG. 2 is a front elevation view thereof;
FIG. 3 is a rear elevation view thereof;
FIG. 4 is a right side elevation view thereof;
FIG. 5 is a left side elevation view thereof;
FIG. 6 is a top plan view thereof; and,
FIG. 7 is a bottom plan view thereof.
The structural features depicted by broken lines in the drawings have been shown for the purpose of illustrating portions of the enclosure for a timer that form no part of the claimed design.

1 Claim, 7 Drawing Sheets



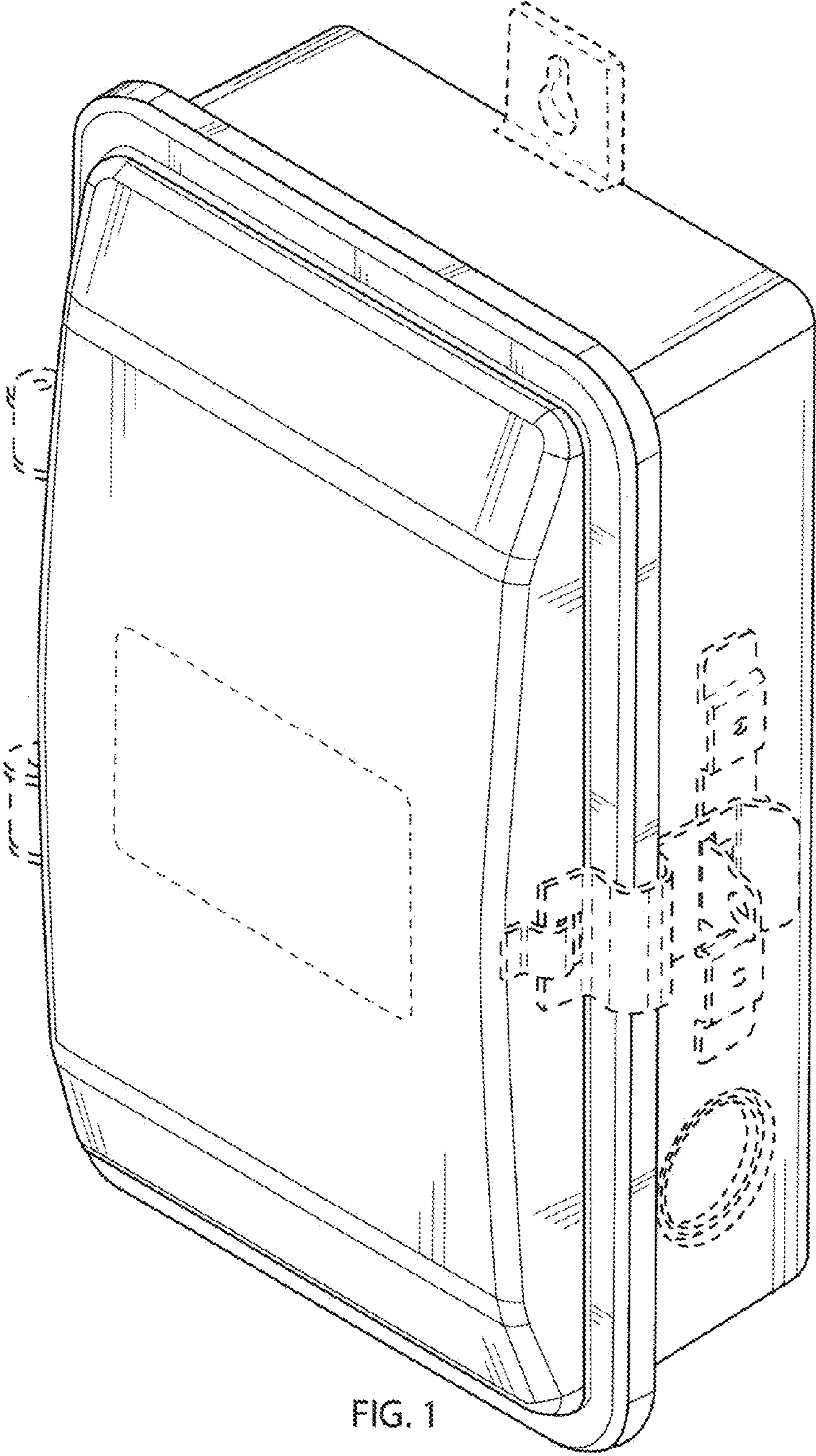


FIG. 1

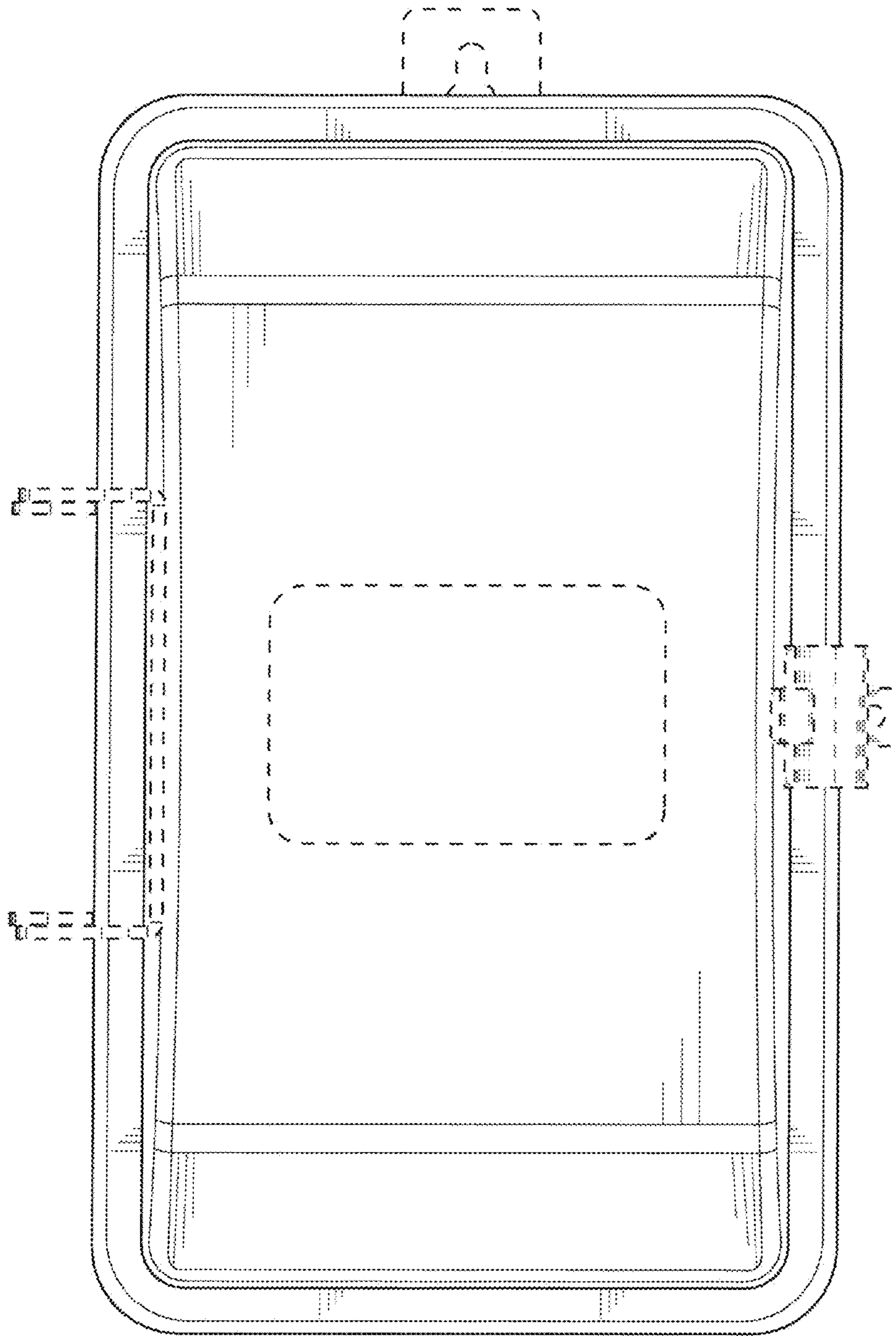


FIG. 2

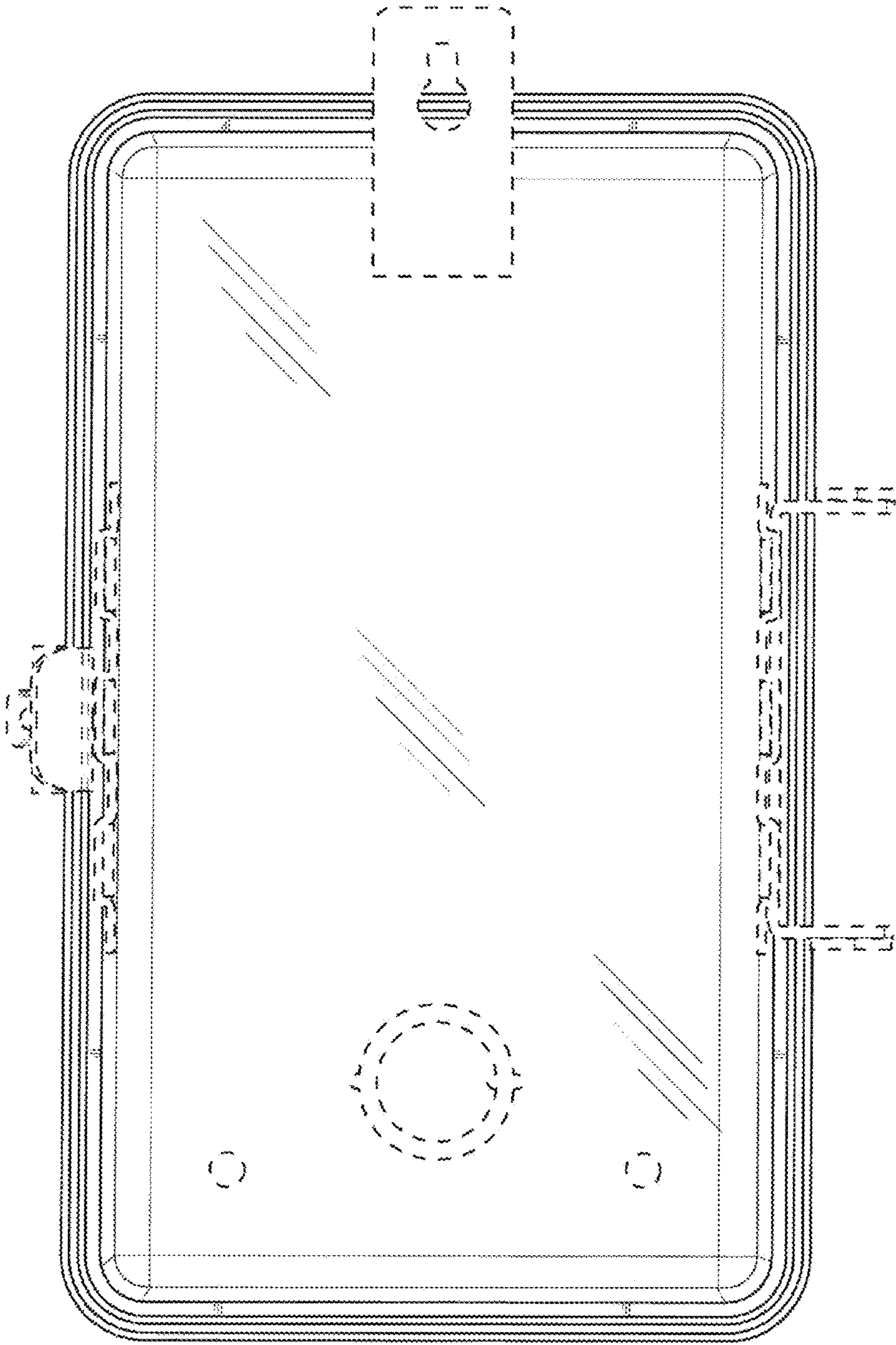


FIG. 3

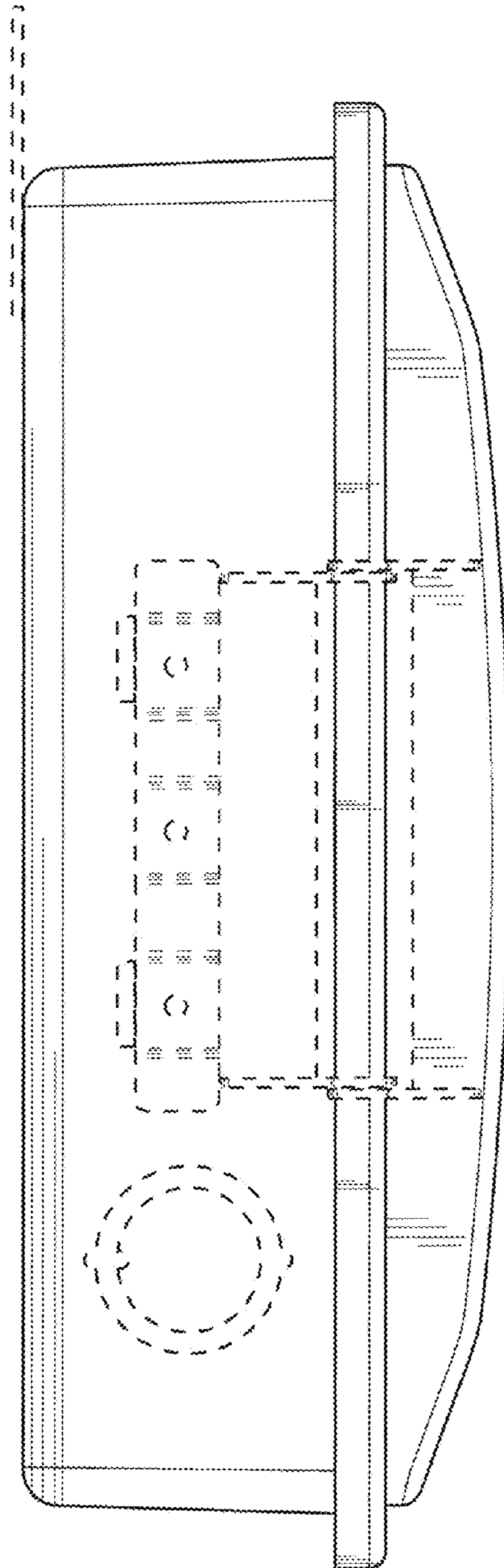


FIG. 4

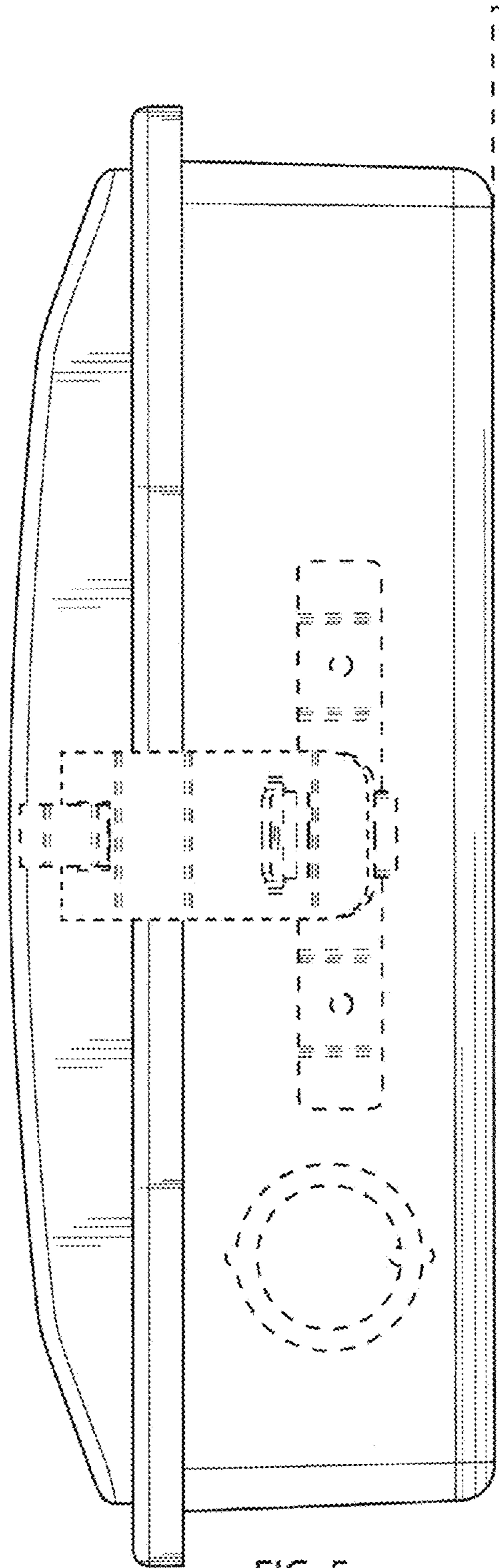


FIG. 5

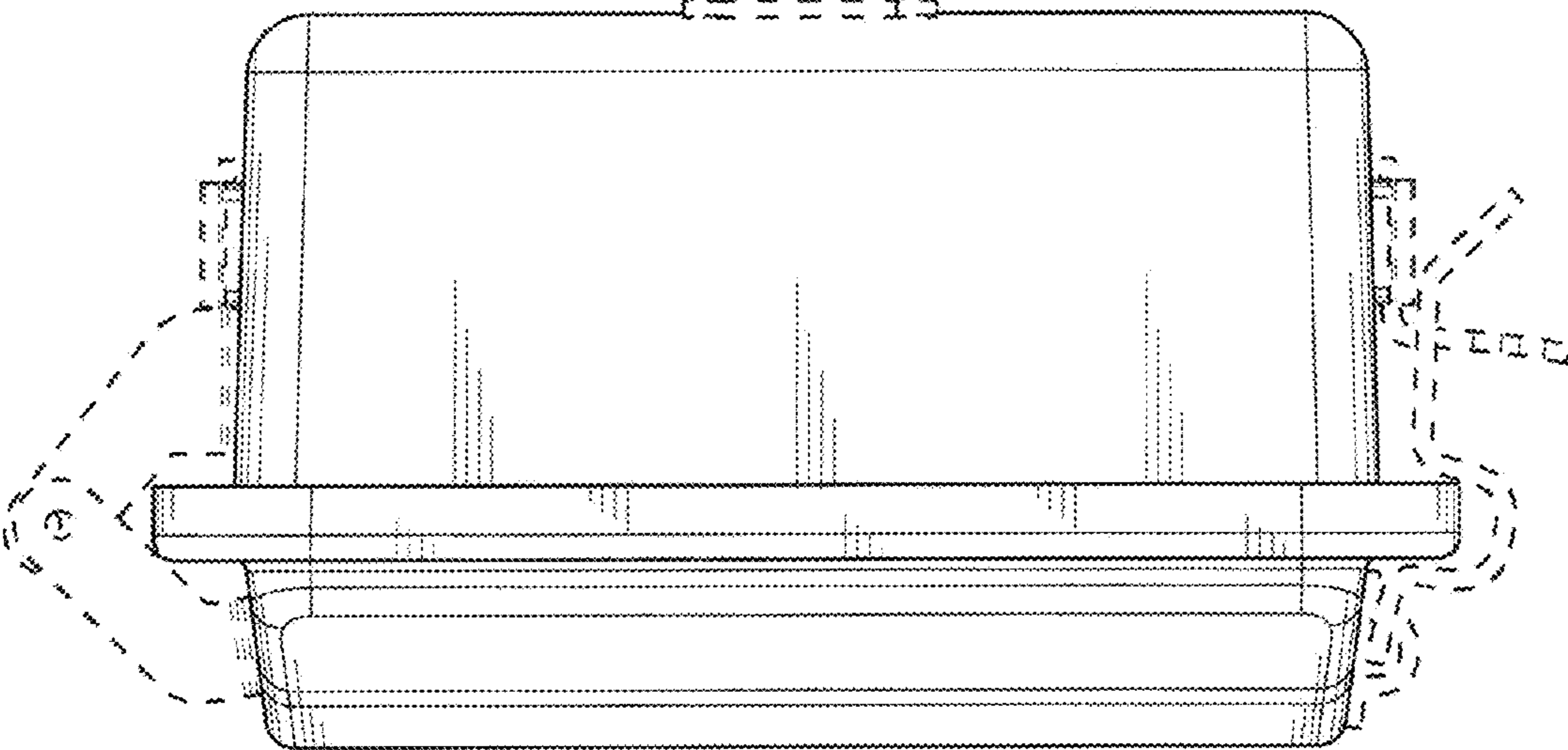


FIG. 6

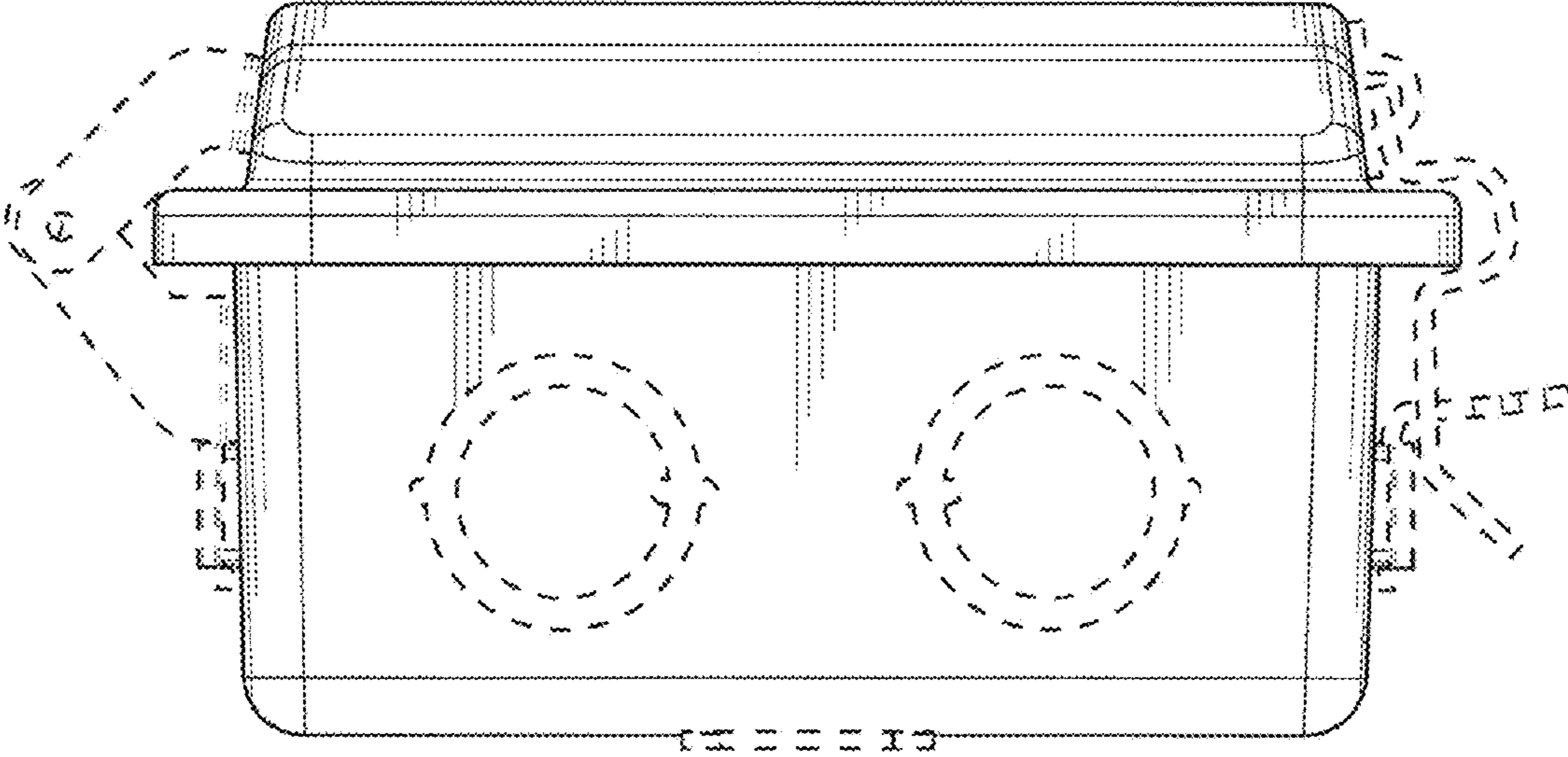


FIG. 7