



US00D712283S

(12) **United States Design Patent**
Ehrmann

(10) **Patent No.:** **US D712,283 S**

(45) **Date of Patent:** **** Sep. 2, 2014**

(54) **PACKAGE**

(71) Applicant: **Christian Ehrmann**, Oberschonegg
(DE)

(72) Inventor: **Christian Ehrmann**, Oberschonegg
(DE)

(73) Assignee: **Ehrmann USA Holding, Inc.**,
Battleboro, VT (US)

(**) Term: **14 Years**

(21) Appl. No.: **29/448,409**

(22) Filed: **Mar. 12, 2013**

(51) **LOC (10) Cl.** **09-03**

(52) **U.S. Cl.**
USPC **D9/761; D9/424**

(58) **Field of Classification Search**
USPC D9/737, 761, 424, 430-432, 425, 426;
D7/550, 553, 555; 206/561, 564;
220/500, 555, 657, 659, 904; 229/404
See application file for complete search history.

(56) **References Cited**

U.S. PATENT DOCUMENTS

D235,499 S *	6/1975	Day	D7/553.3
D292,379 S *	10/1987	Pollitt	D9/761
D297,115 S *	8/1988	Fontana et al.	D9/737
D297,116 S *	8/1988	Fontana et al.	D9/737
D297,117 S *	8/1988	Fontana et al.	D9/737
D297,118 S *	8/1988	Fontana et al.	D9/737

D297,119 S *	8/1988	Fontana et al.	D9/737
D339,522 S *	9/1993	Zoss	D9/737
D371,940 S *	7/1996	Krupa	D7/549
D395,003 S *	6/1998	Daniels	D9/737
D432,409 S *	10/2000	Feldmeier	D9/761
D458,084 S *	6/2002	Hudson	D7/553.4
D474,687 S *	5/2003	Jones et al.	D9/761
D516,382 S *	3/2006	King et al.	D7/553.8
D529,820 S *	10/2006	Kissner et al.	D9/737
D695,107 S *	12/2013	Clements	D9/425

* cited by examiner

Primary Examiner — Mark Goodwin

(74) *Attorney, Agent, or Firm* — Botkin & Hall, LLP

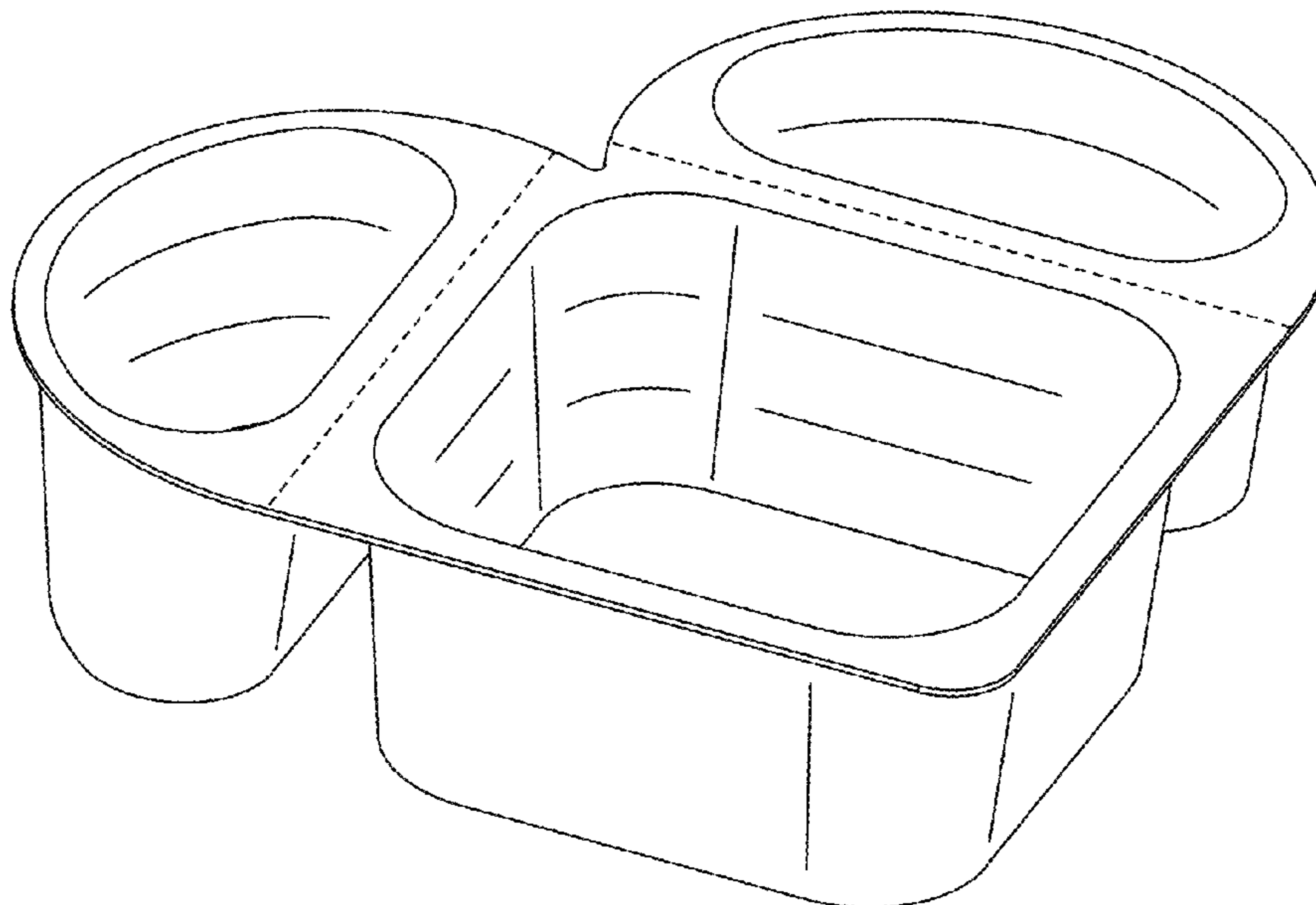
(57) **CLAIM**

The ornamental design for a package, as shown and described.

DESCRIPTION

FIG. 1 is a top perspective view of a package showing my new design;
 FIG. 2 is a bottom perspective view thereof;
 FIG. 3 is a top plan view thereof;
 FIG. 4 is a bottom plan view thereof;
 FIG. 5 is a front view thereof;
 FIG. 6 is a back view thereof;
 FIG. 7 is a left side view thereof; and,
 FIG. 8 is a right side view thereof.
 The broken lines are shown for illustrative purposes and form no part of the claimed design.

1 Claim, 4 Drawing Sheets



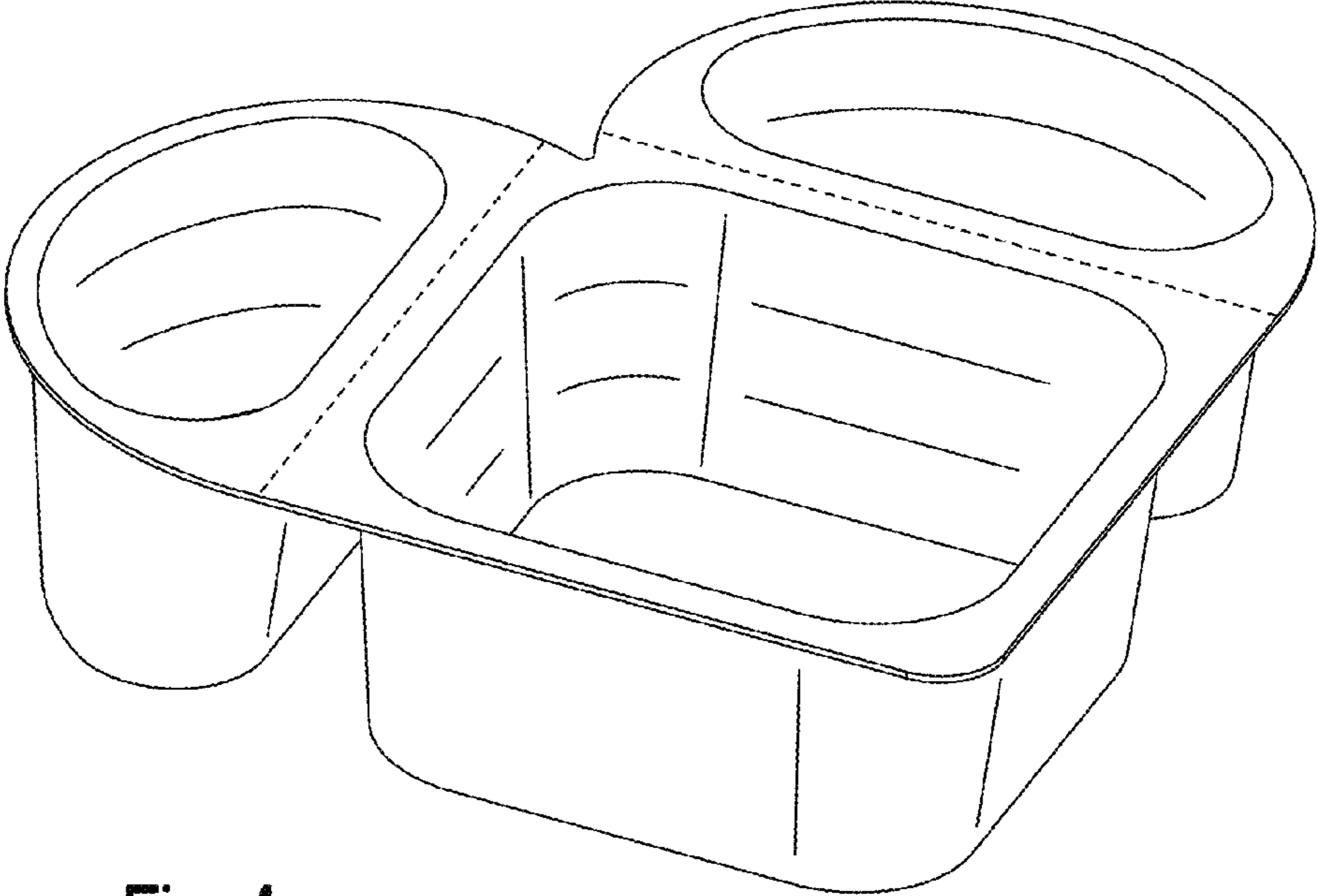


Fig. 1

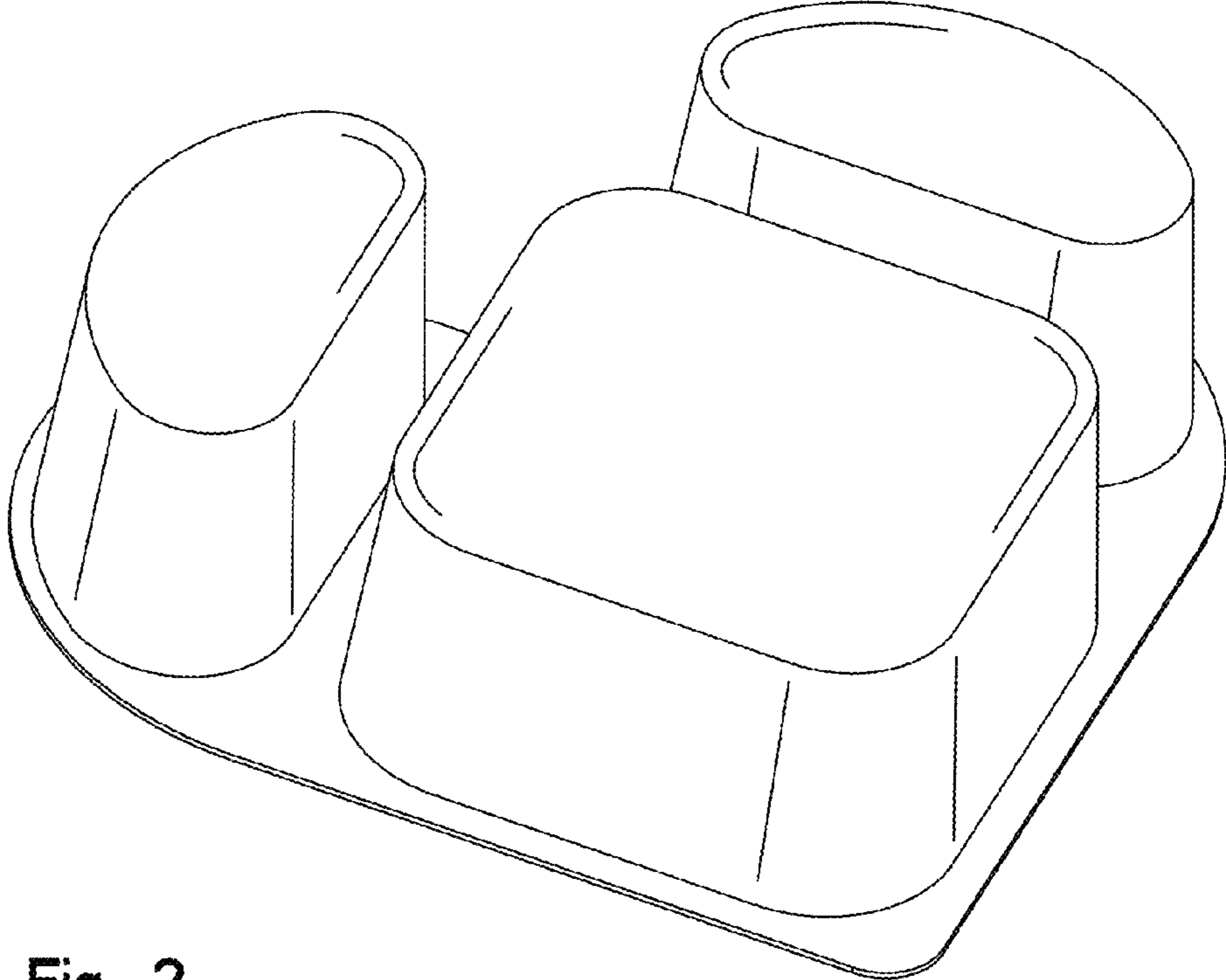


Fig. 2

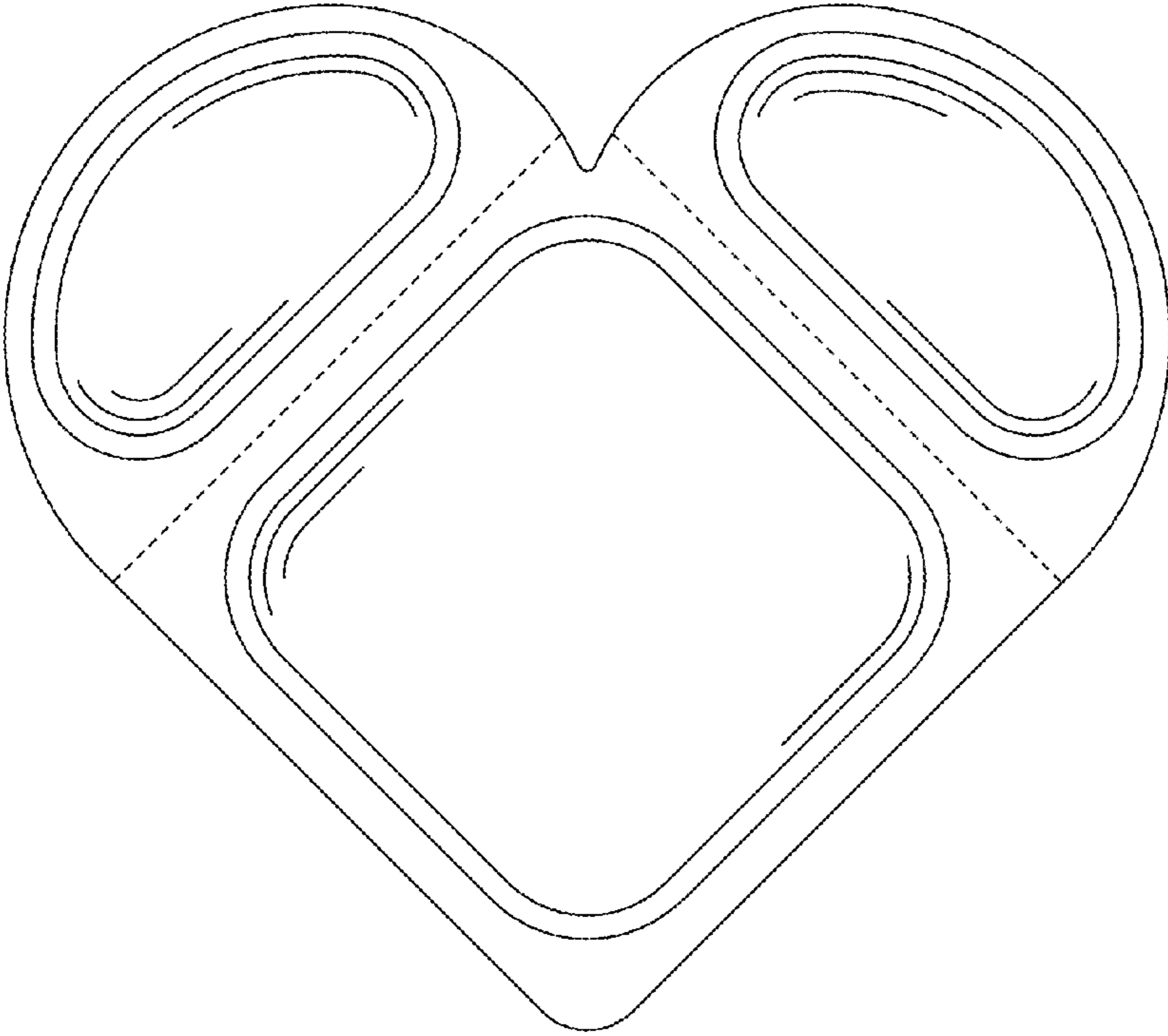


Fig. 3

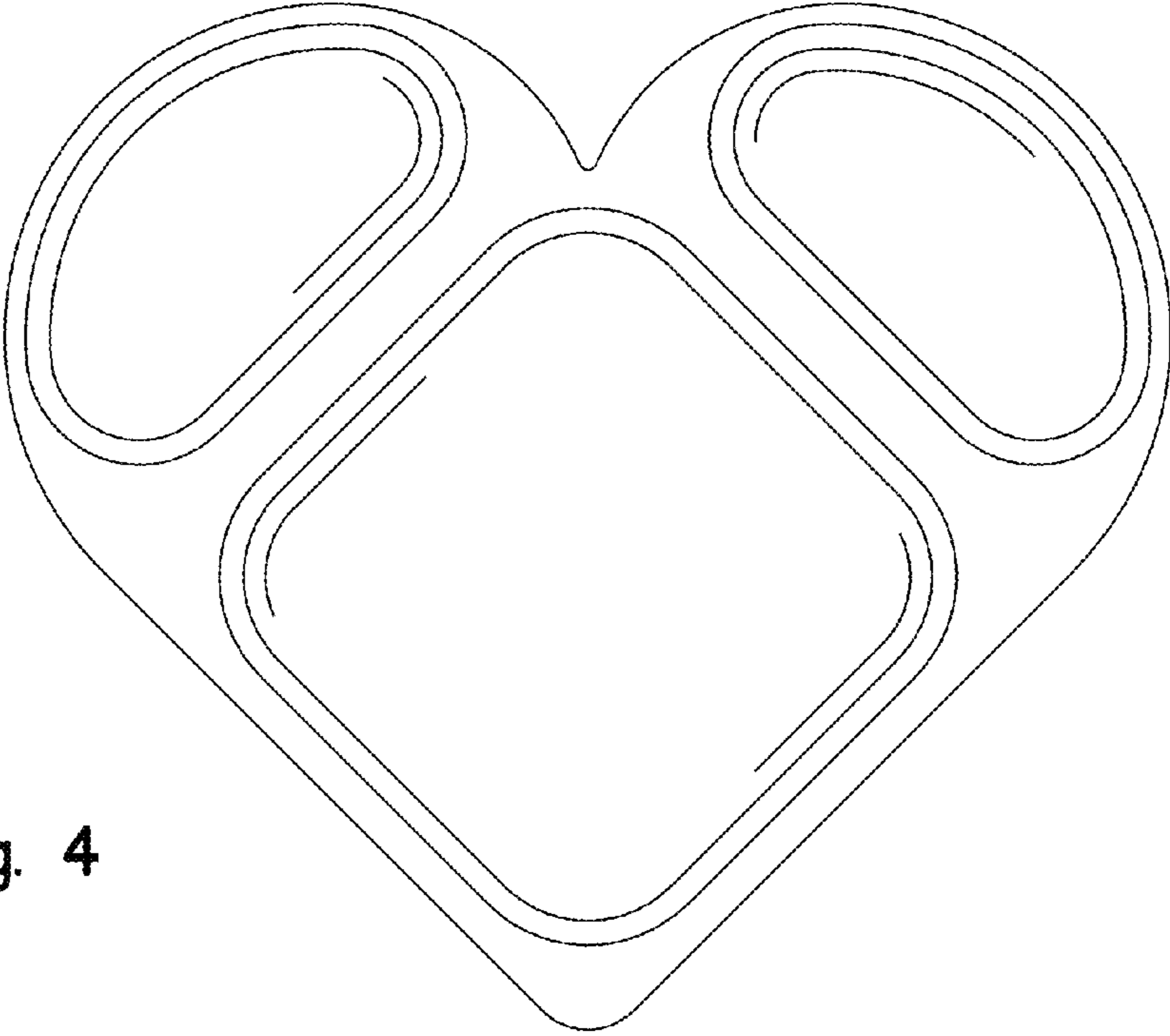


Fig. 4

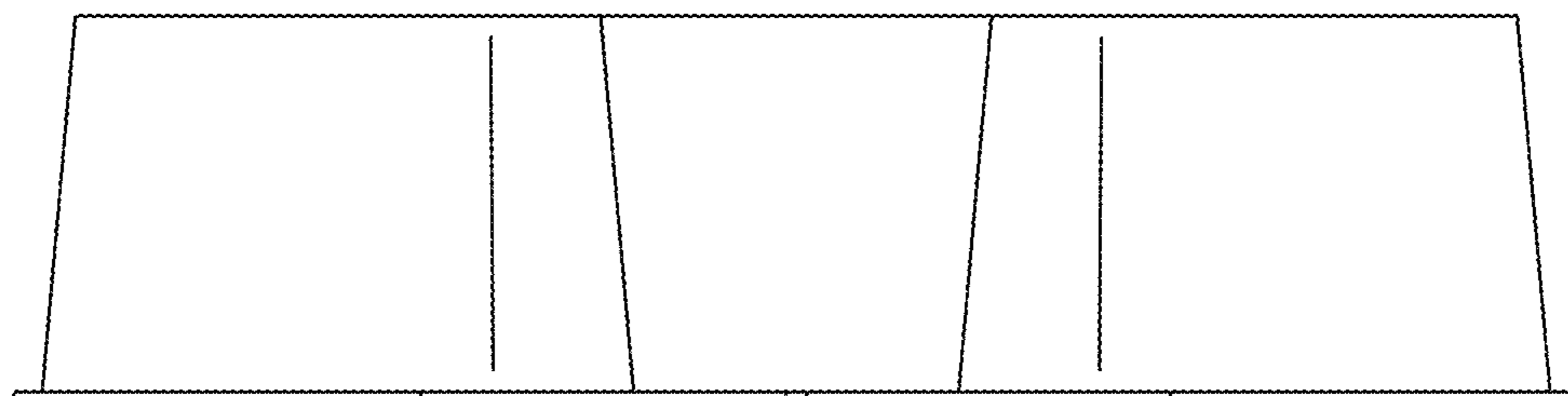


Fig. 5

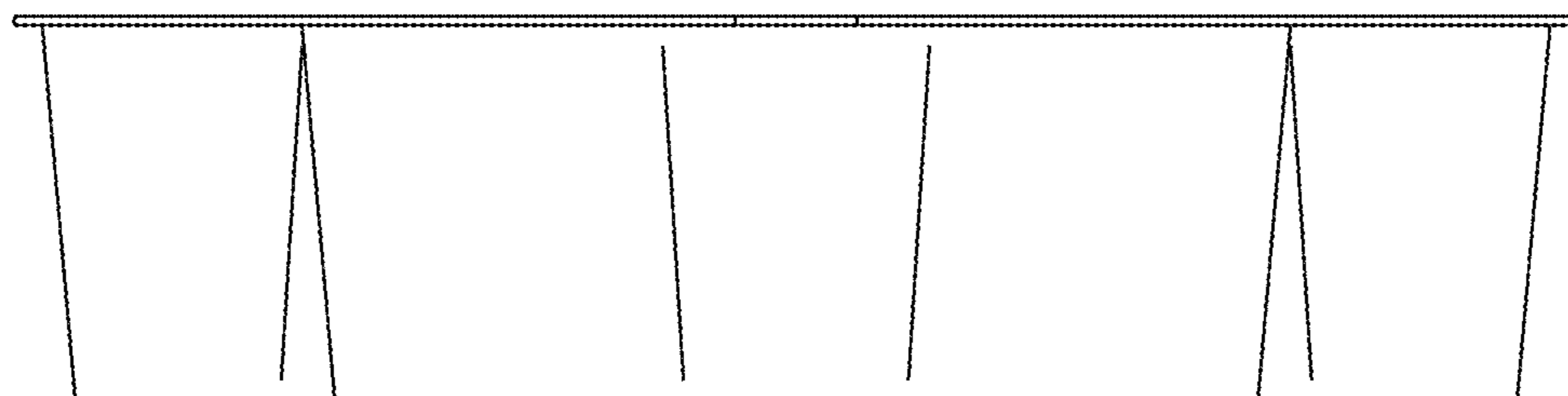


Fig. 6

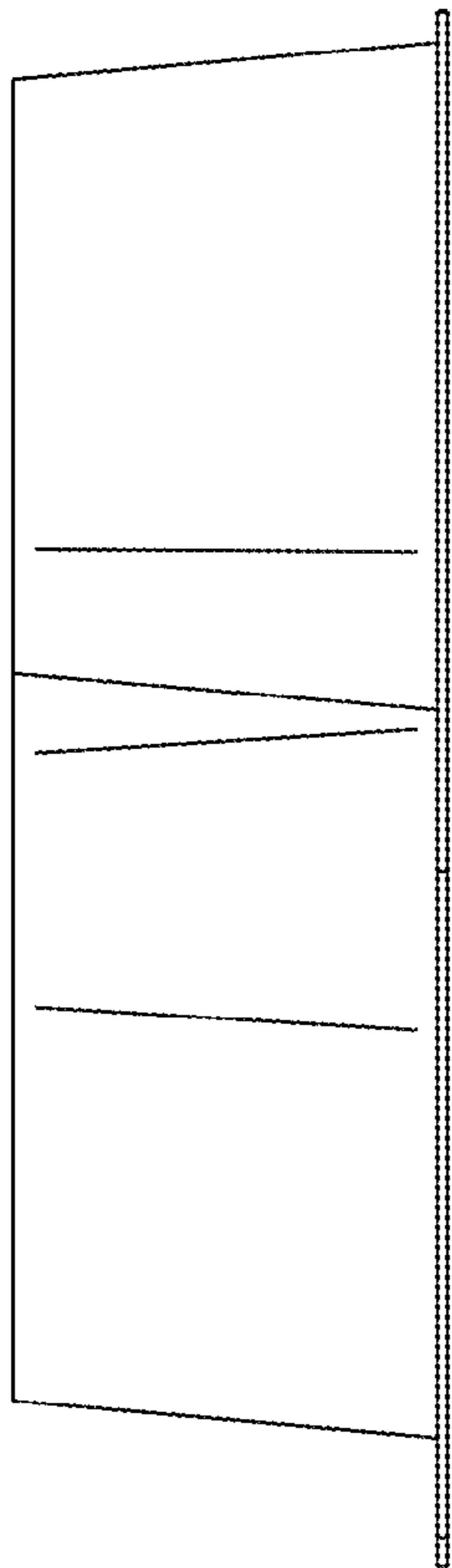


Fig. 7

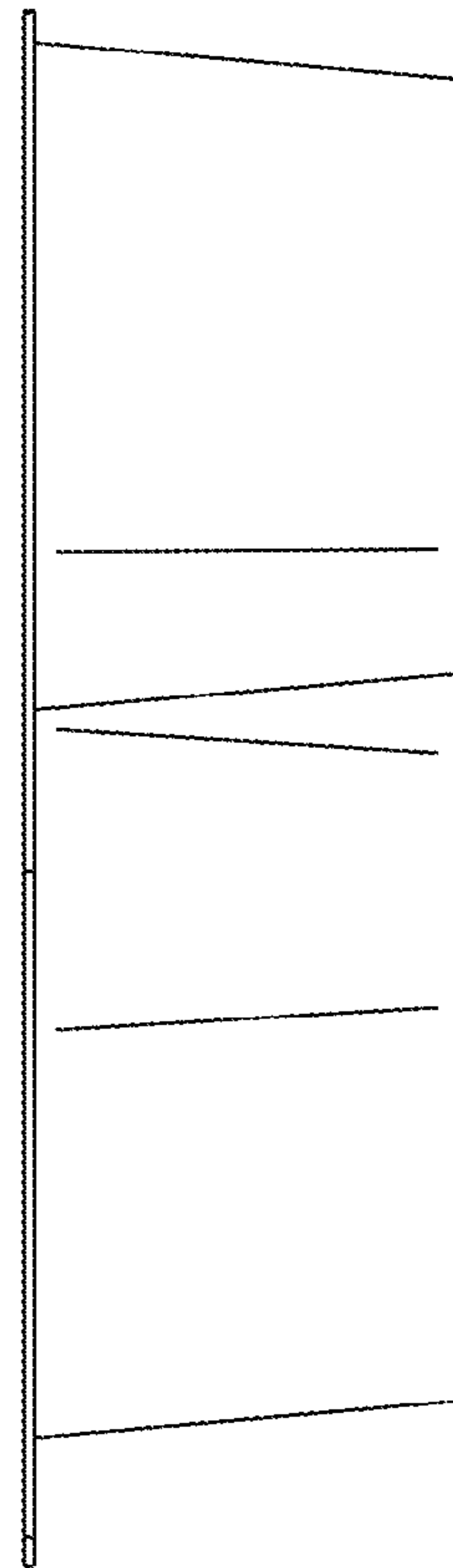


Fig. 8