



US00D712282S

(12) **United States Design Patent**
Logue

(10) **Patent No.:** **US D712,282 S**
(45) **Date of Patent:** **** Sep. 2, 2014**

(54) **MEDICAMENT PACKAGE**

(75) Inventor: **Anthony Thomas Logue**, Yowie Bay (AU)

(73) Assignee: **Logue & Co. Pty, as trustee for A.T. & L.M. Logue Family Trust**, Yowie Bay (AU)

(**) Term: **14 Years**

(21) Appl. No.: **29/415,813**

(22) Filed: **Mar. 14, 2012**

(30) **Foreign Application Priority Data**

Sep. 14, 2011 (AU) 14096/2011

(51) **LOC (10) Cl.** **09-03**

(52) **U.S. Cl.**
USPC **D9/737; D9/721**

(58) **Field of Classification Search**
USPC D9/414, 416, 418, 421, 423, 426, 430, D9/432, 433, 715, 716, 730, 728, 737, 761, D9/755, 742, 740, 743, 744, 745, 721; 229/100, 103.1, 103.3, 120.01, 229/120.011, 120.15, 122.1, 123.1, 123.2, 229/186, 221, 242, 901; 221/231, 242, 282, 221/303, 305

See application file for complete search history.

(56) **References Cited**

U.S. PATENT DOCUMENTS

D120,125 S * 4/1940 Korda D9/751
3,058,644 A * 10/1962 Zastrow 229/120.011

3,580,472 A * 5/1971 Stawski 229/122.1
4,767,022 A * 8/1988 Oldorf 221/92
5,533,667 A * 7/1996 Gale 229/120.01
D400,433 S * 11/1998 Lupi D9/732
D423,864 S * 5/2000 Chang et al. D7/323
6,209,718 B1 * 4/2001 Mollstam et al. 206/222
6,247,611 B1 * 6/2001 Clements et al. 221/277
D445,908 S * 7/2001 Conway D24/224
D499,341 S * 12/2004 Lovison D9/529
D505,522 S * 5/2005 Jurk D30/131
D536,991 S * 2/2007 Dlugolecki D9/721
7,243,789 B2 * 7/2007 Discko, Jr. 206/229
7,562,769 B2 * 7/2009 Chawla 206/219
D613,153 S * 4/2010 Russell D9/423
D629,701 S * 12/2010 Eissner D9/733
D675,539 S * 2/2013 Biglarians D9/721
D681,468 S * 5/2013 Bogenrief D9/521
D683,242 S * 5/2013 Logue D9/721

* cited by examiner

Primary Examiner — Mark Goodwin

(74) *Attorney, Agent, or Firm* — Sughrue Mion, PLLC

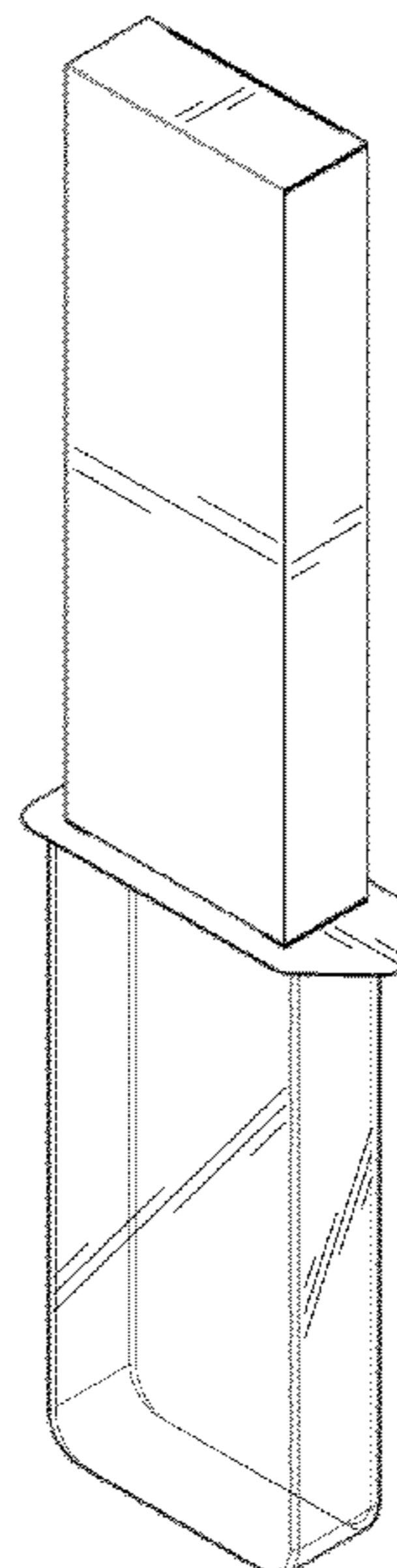
(57) **CLAIM**

The ornamental design for a medicament package, as shown and described.

DESCRIPTION

FIG. 1 is a front perspective view of the medicament package showing my new design;
FIG. 2 is a left side view of thereof;
FIG. 3 is a right side view thereof;
FIG. 4 is a front view thereof;
FIG. 5 is a rear view thereof;
FIG. 6 is a top view thereof; and,
FIG. 7 is a bottom view thereof.

1 Claim, 3 Drawing Sheets



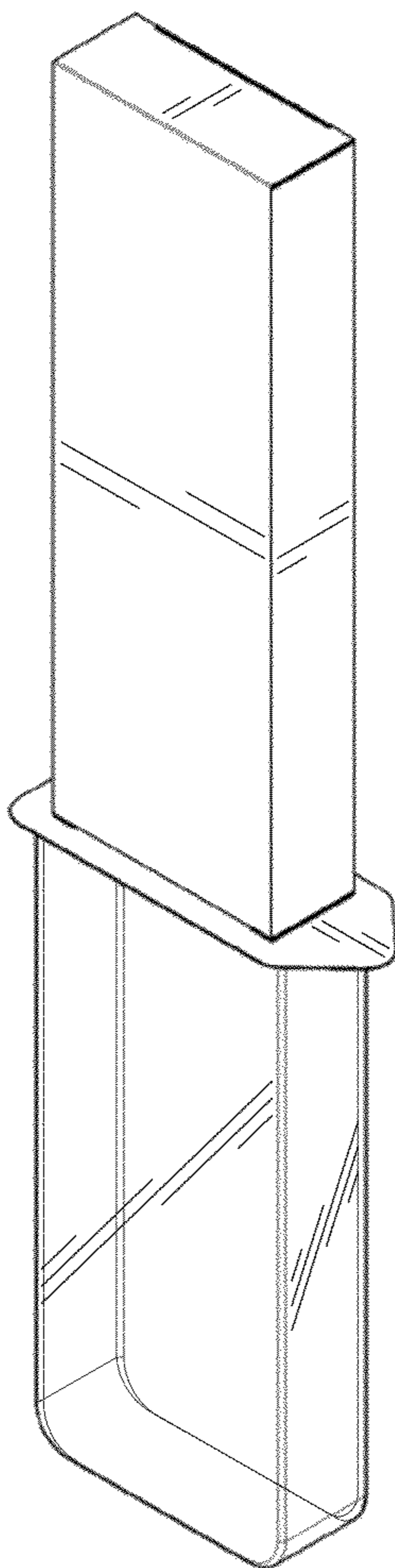


FIG. 1

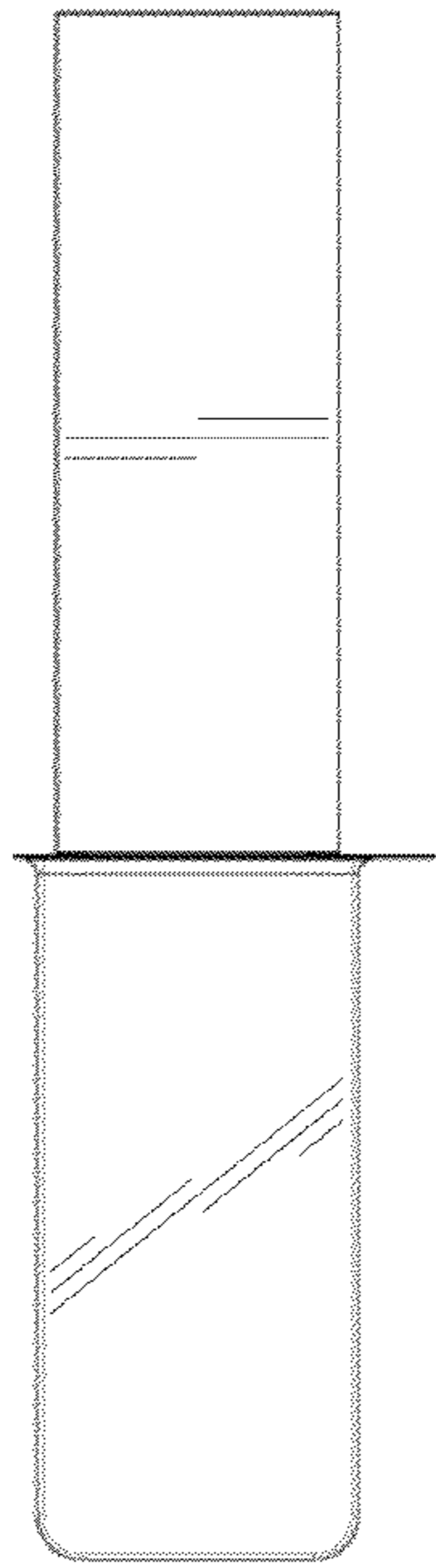


FIG. 2

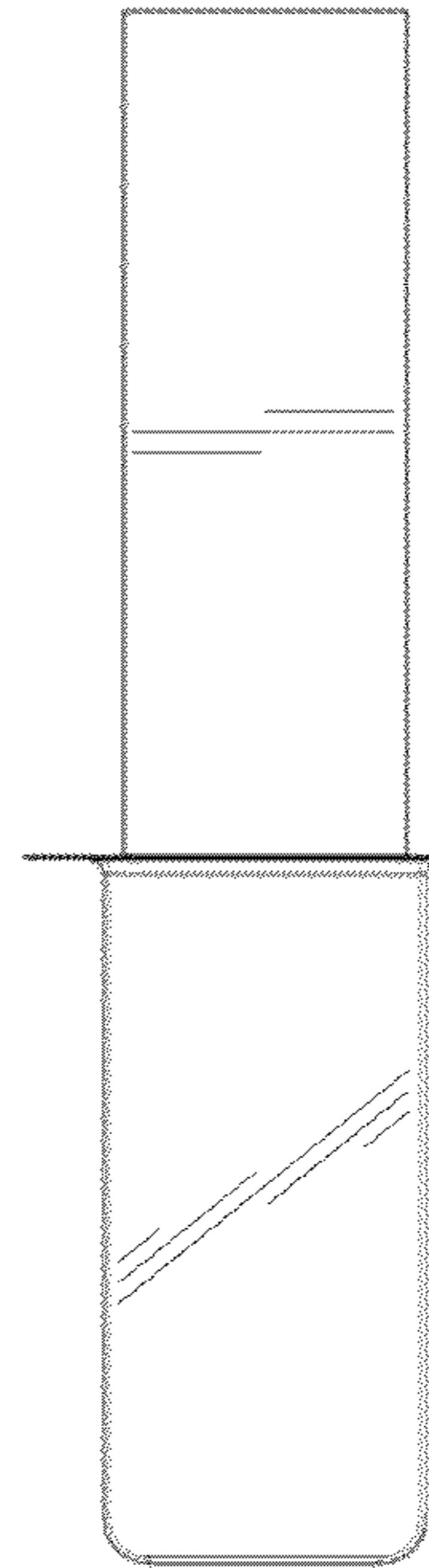


FIG. 3



FIG. 4



FIG. 5

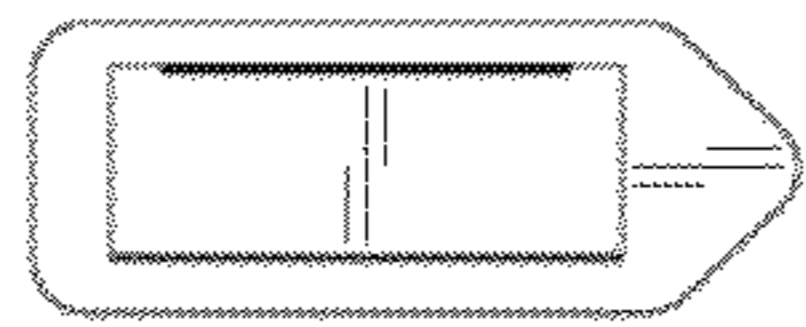


FIG. 6

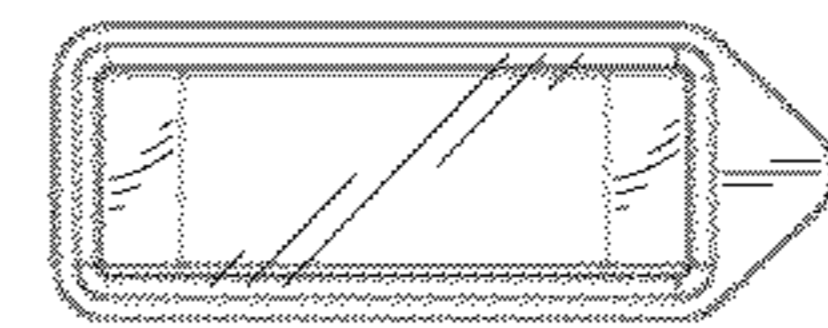


FIG. 7