



US00D712281S

(12) **United States Design Patent**  
**Steger et al.**

(10) **Patent No.:** **US D712,281 S**

(45) **Date of Patent:** **\*\* Sep. 2, 2014**

(54) **CONTAINER FOR DISPOSABLE SHEET ITEMS**

(71) Applicant: **Pet Products Distribution, LLC**, San Diego, CA (US)

(72) Inventors: **Stephen Steger**, San Francisco, CA (US); **Salvatore Michael Primo**, Brooklyn, NY (US)

(73) Assignee: **Pet Products Distribution, LLC**, San Diego, CA (US)

(\*\*) Term: **14 Years**

(21) Appl. No.: **29/465,010**

(22) Filed: **Aug. 22, 2013**

(51) **LOC (10) Cl.** ..... **09-01**

(52) **U.S. Cl.**  
USPC ..... **D9/734**

(58) **Field of Classification Search**

CPC ..... B65D 85/00; B65D 81/00; B65D 81/22; B65D 11/00; B65D 83/0805; A47K 2010/3266; A47K 10/42; A47K 10/421  
USPC ..... D9/414, 424, 499, 500, 501, 503, 730, D9/734; D3/20, 201, 203.1, 205, 272, 273, D3/315, 316, 901; D24/121, 128; D7/601, D7/602, 631, 641; D6/512, 515, 518, 522; 206/205, 210, 216, 233, 389, 395, 581, 206/812; 221/33, 36, 45, 46, 47, 52, 199, 221/255, 259, 305, 309

See application file for complete search history.

(56) **References Cited**

U.S. PATENT DOCUMENTS

D443,508	S	*	6/2001	Braaten et al.	.....	D9/734
D547,049	S	*	7/2007	Settles et al.	.....	D3/20
D548,587	S	*	8/2007	DuVal et al.	.....	D9/504
D651,525	S	*	1/2012	Chin et al.	.....	D9/734
D663,632	S	*	7/2012	Peters et al.	.....	D9/734
2007/0262088	A1	*	11/2007	Nanda	.....	221/305
2009/0200328	A1	*	8/2009	Hoefing et al.	.....	221/33
2011/0011767	A1	*	1/2011	Gehring et al.	.....	206/581

\* cited by examiner

*Primary Examiner* — Derrick Holland

*Assistant Examiner* — Lauren Calve

(74) *Attorney, Agent, or Firm* — The Maxham Firm

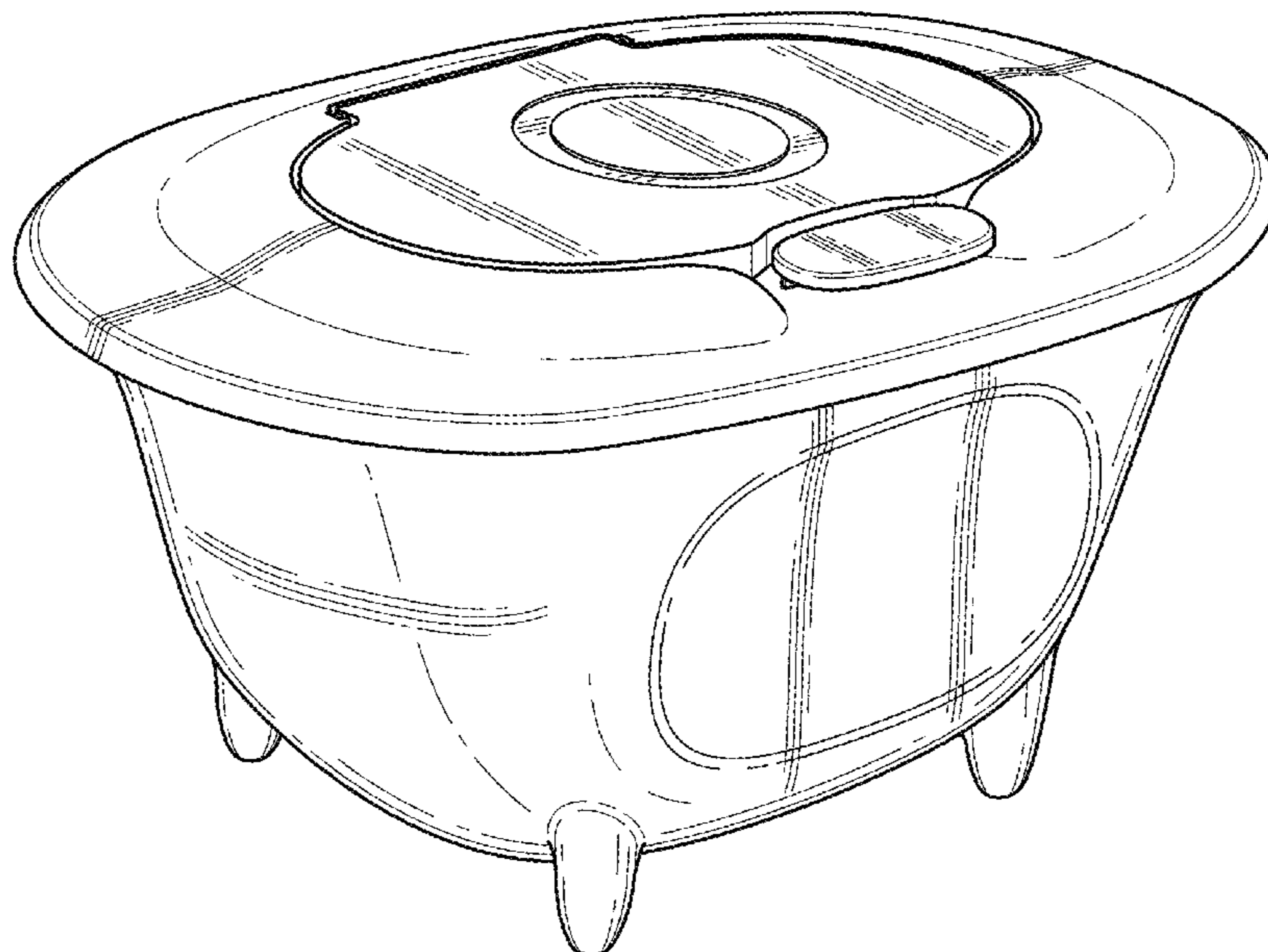
(57) **CLAIM**

The ornamental design for a container for disposable sheet items, as shown and described.

**DESCRIPTION**

FIG. 1 is a perspective view of a container for disposable sheet items according to the invention; FIG. 2 is a top view thereof; FIG. 3 is a front view thereof; FIG. 4 is a rear view thereof; FIG. 5 is a left side view thereof, the right side view being a mirror image thereof; FIG. 6 is a bottom view thereof; and, FIG. 7 is a top perspective view thereof shown in an open position. The broken lines shown in FIGS. 6 and 7 represent unclaimed subject matter and form no part of the claimed design.

**1 Claim, 7 Drawing Sheets**



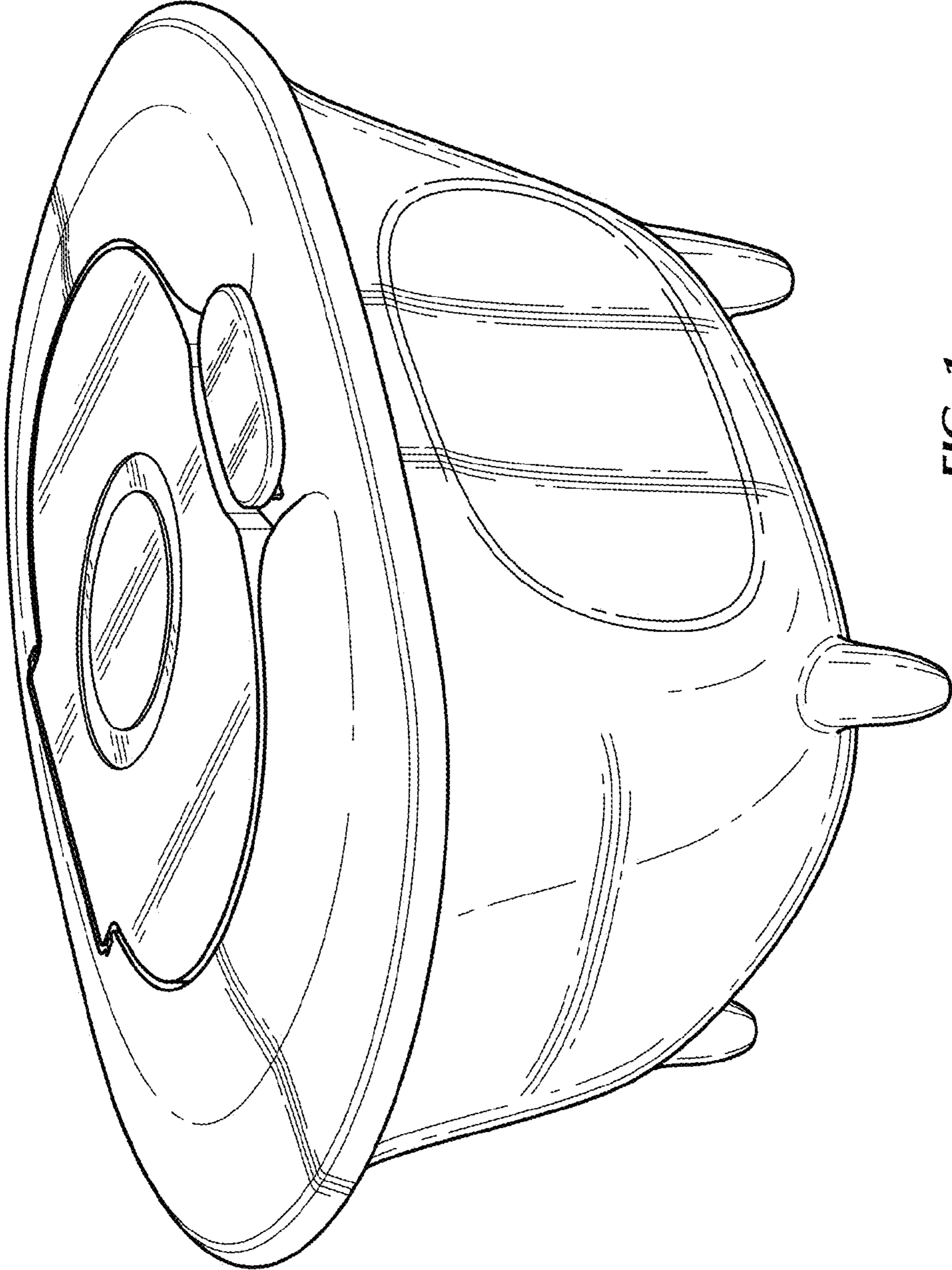


FIG. 1

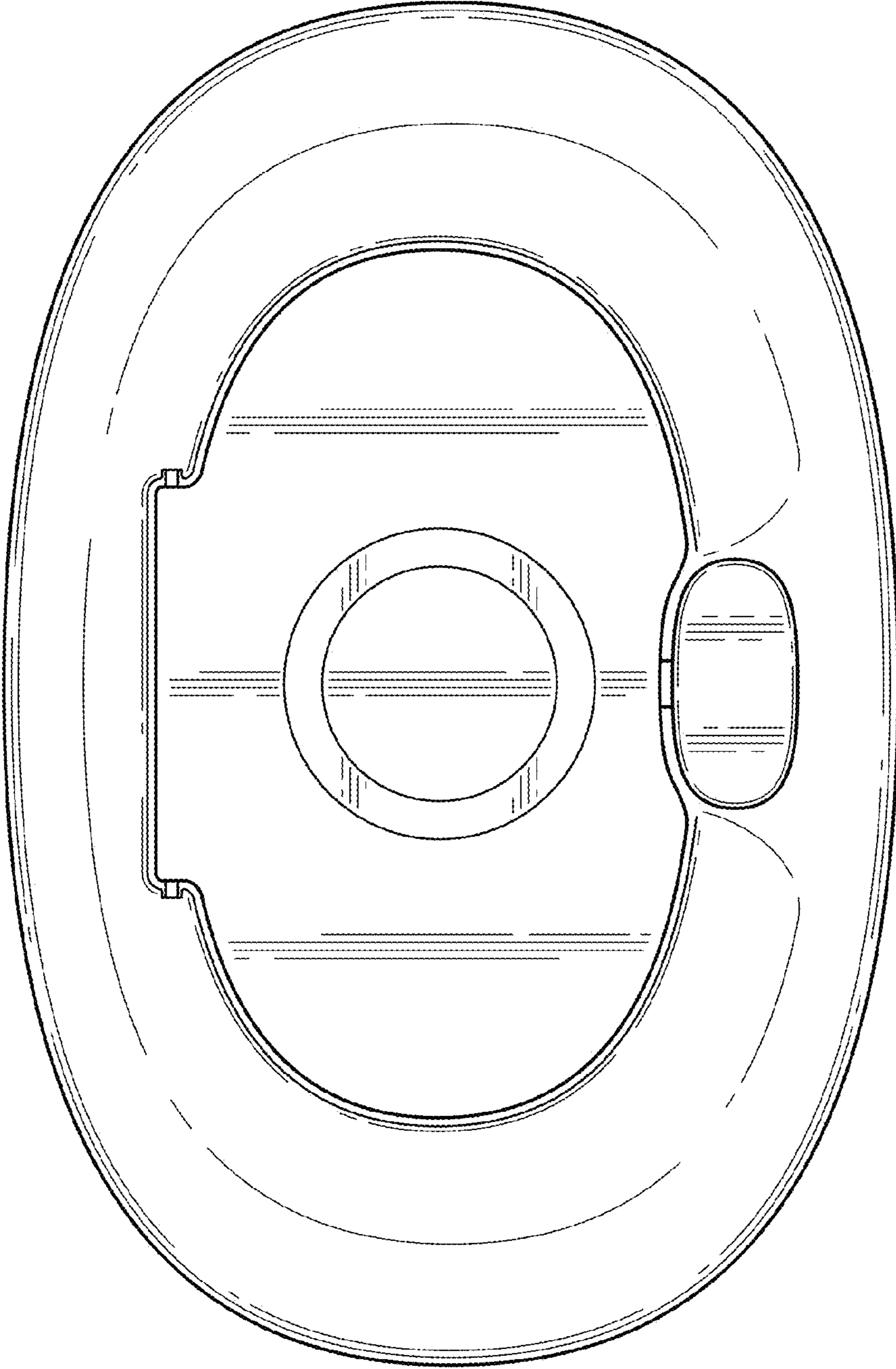


FIG. 2

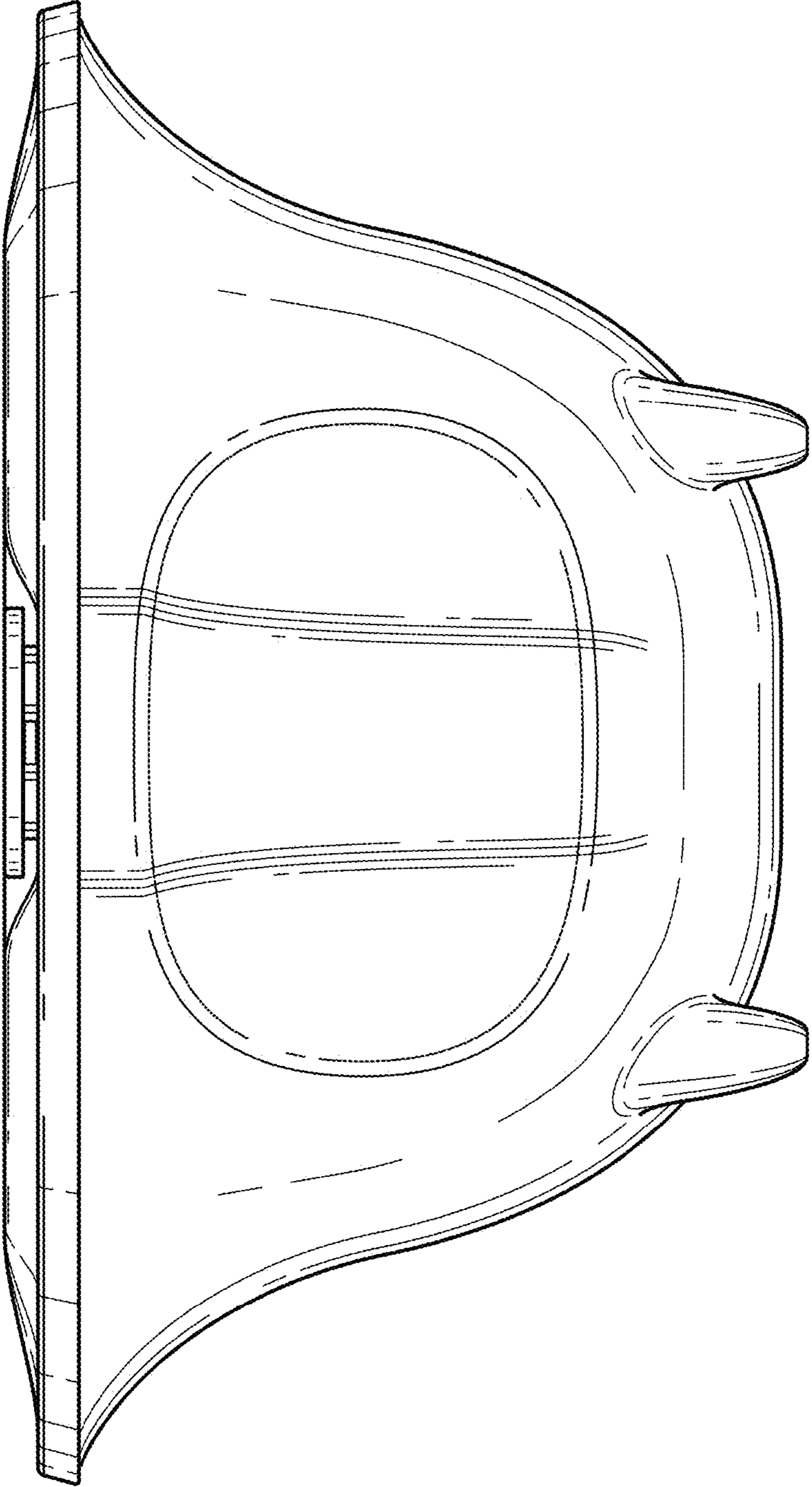


FIG. 3



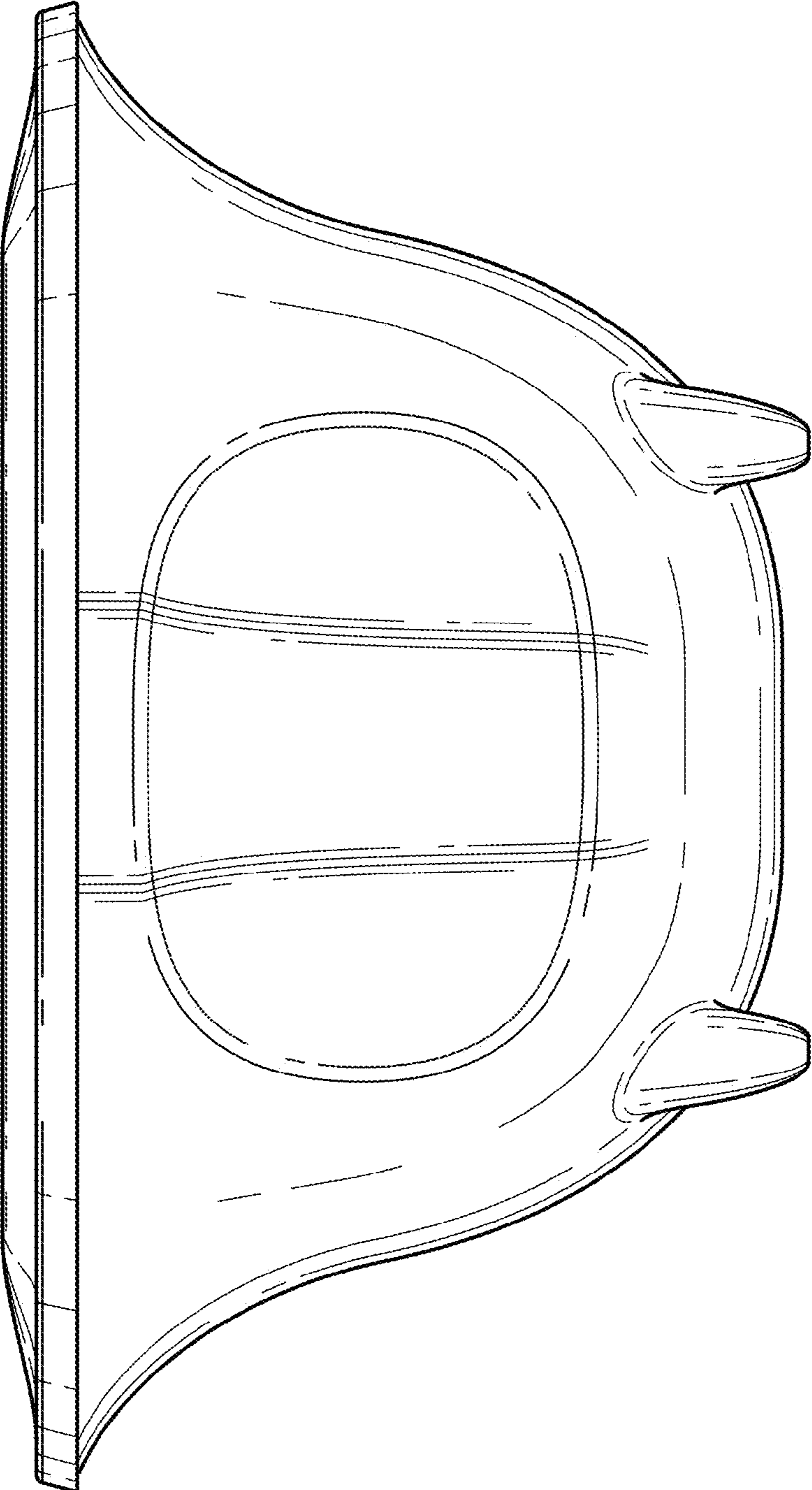


FIG. 4

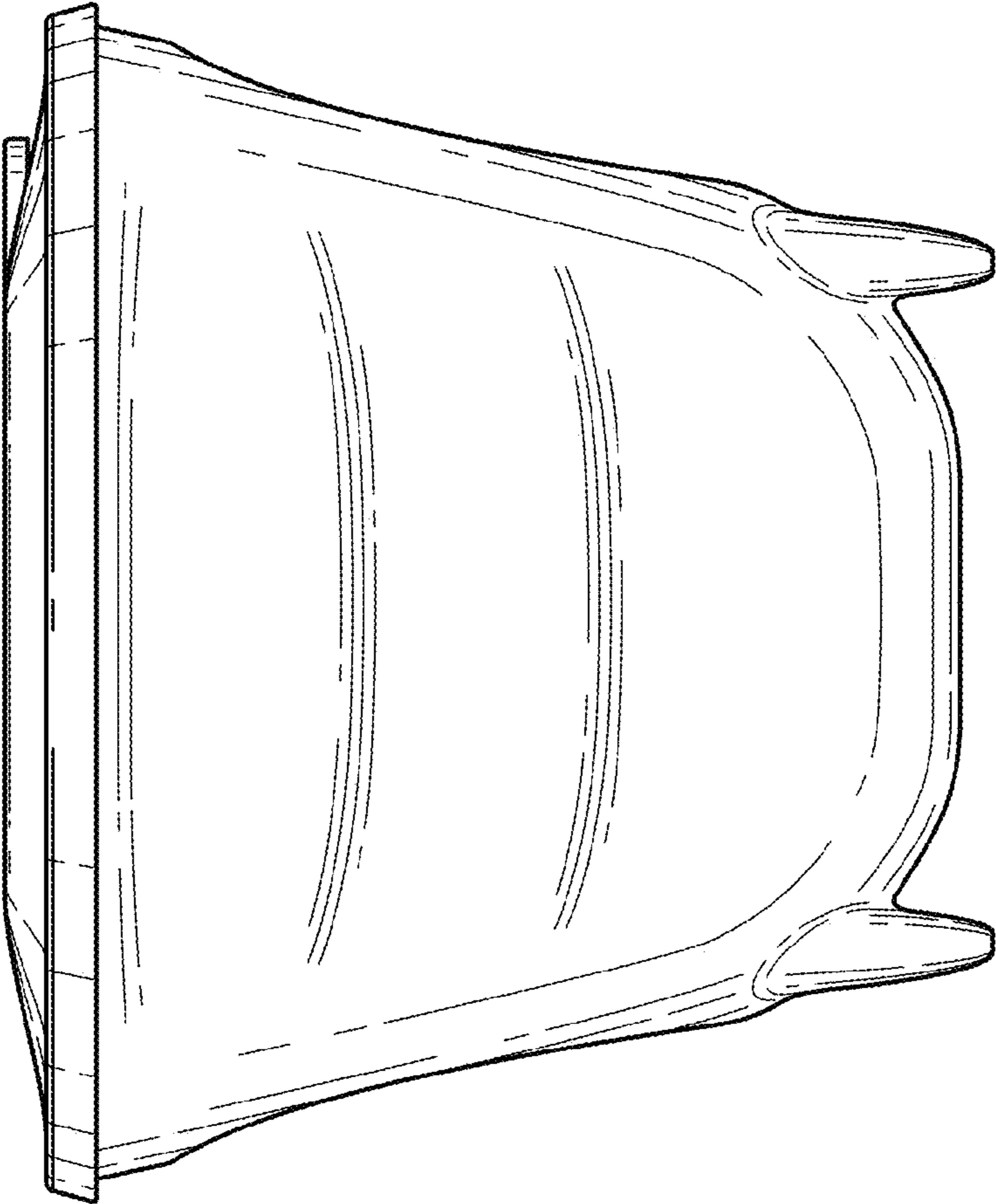


FIG. 5

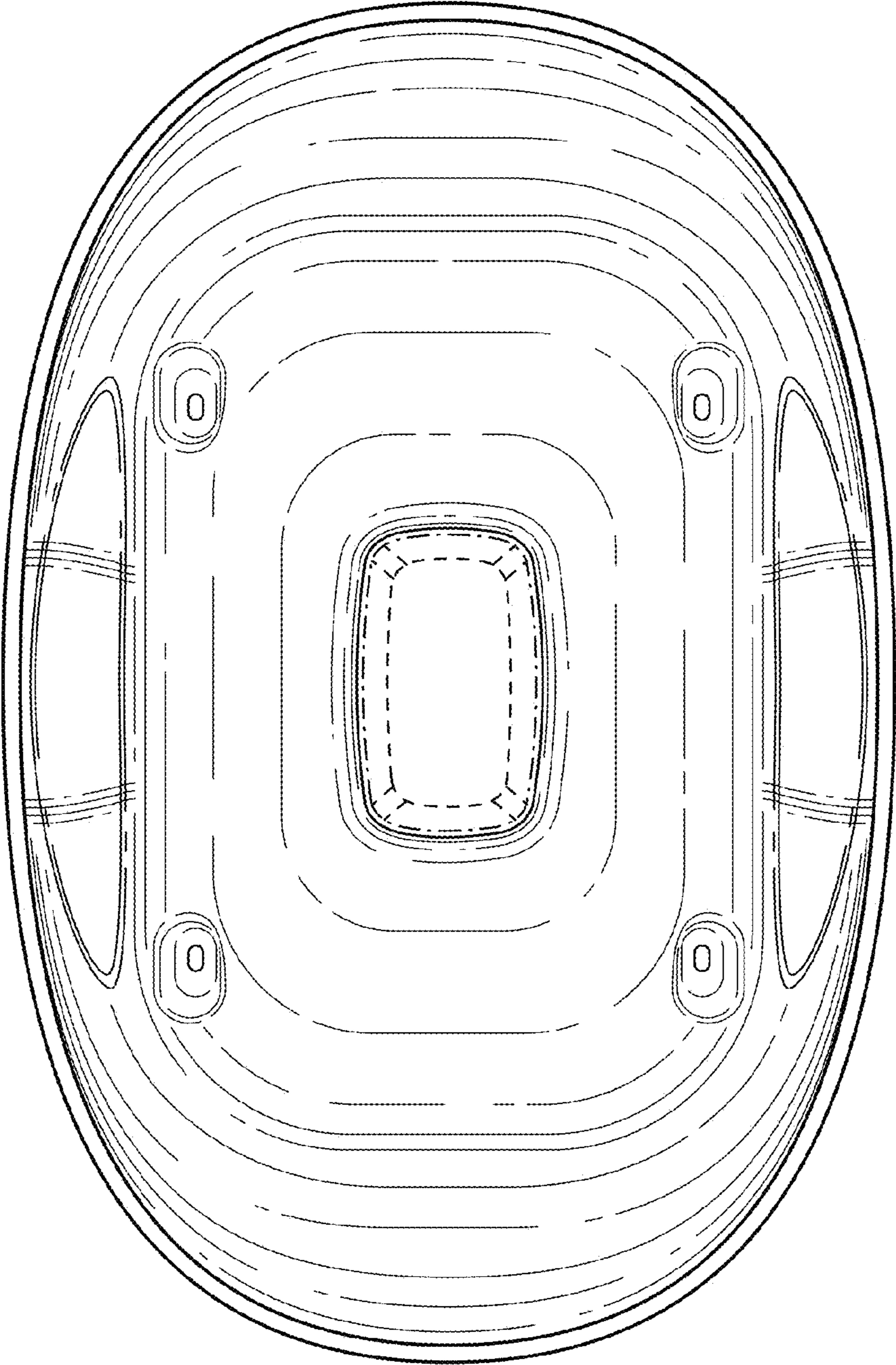


FIG. 6

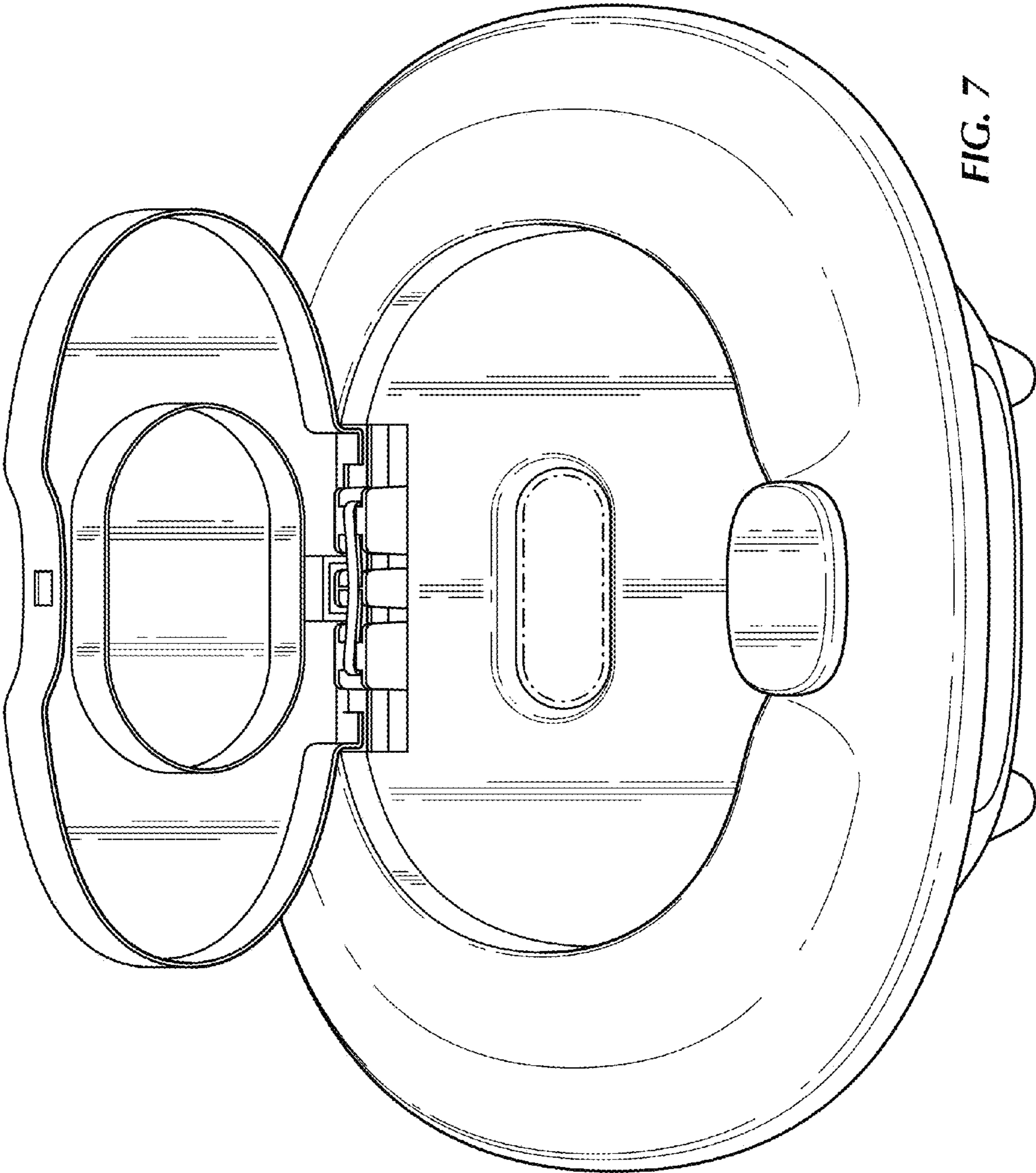


FIG. 7