

US00D712280S

(12) **United States Design Patent**
Radomyselski et al.

(10) **Patent No.:** **US D712,280 S**
(45) **Date of Patent:** **** Sep. 2, 2014**

- (54) **BATTERY PACKAGE**
- (71) Applicant: **The Gillette Company**, Boston, MA (US)
- (72) Inventors: **Arseni Radomyselski**, Ridgefield, CT (US); **Eric Justin Price**, Wilton, CT (US)
- (73) Assignee: **The Gillette Company**, Boston, MA (US)
- (**) Term: **14 Years**

3,587,848 A *	6/1971	Froehlig	206/462
D242,900 S *	1/1977	Seiferth et al.	D9/732
D254,358 S *	3/1980	Seda	D9/707
D266,829 S *	11/1982	Yoshizawa et al.	D9/415
D294,459 S *	3/1988	Wendel	D9/732
D339,743 S *	9/1993	Zellner et al.	D9/761
D376,102 S *	12/1996	Patapanian et al.	D9/415
D427,523 S	7/2000	Calcerano	
D432,009 S	10/2000	Pirro et al.	
D432,411 S	10/2000	Pirro et al.	
D432,908 S	10/2000	Pirro et al.	
D432,909 S	10/2000	Pirro et al.	
D433,936 S	11/2000	Pirro et al.	
D449,779 S	10/2001	Otto	
D450,239 S	11/2001	Otto	

(Continued)

- (21) Appl. No.: **29/453,214**
- (22) Filed: **Apr. 26, 2013**
- (51) **LOC (10) Cl.** **09-01**
- (52) **U.S. Cl.**
USPC **D9/732**
- (58) **Field of Classification Search**
USPC D9/415, 416, 418, 419, 424, 433, 437, D9/457, 732, 730, 756, 759, 902, 414, 417, D9/420, 428, 430; 206/461, 462, 469, 471, 206/484, 485, 486, 493, 528, 531, 532, 534, 206/533, 538, 539, 775-783; D24/121, D24/227, 229, 224; D7/538, 541, 546, 549, D7/553.3, 555, 586; D3/203.2, 203.3, 310, D3/309, 311, 312, 313
See application file for complete search history.

OTHER PUBLICATIONS

U.S. Appl. No. 29/453,216, filed Apr. 26, 2013, Radomyselski.

Primary Examiner — Derrick Holland

Assistant Examiner — Lauren Calve

(74) *Attorney, Agent, or Firm* — Leo J. White; Kevin C. Johnson; Steven W. Miller

(57) **CLAIM**

The ornamental design for a battery package, as shown and described.

DESCRIPTION

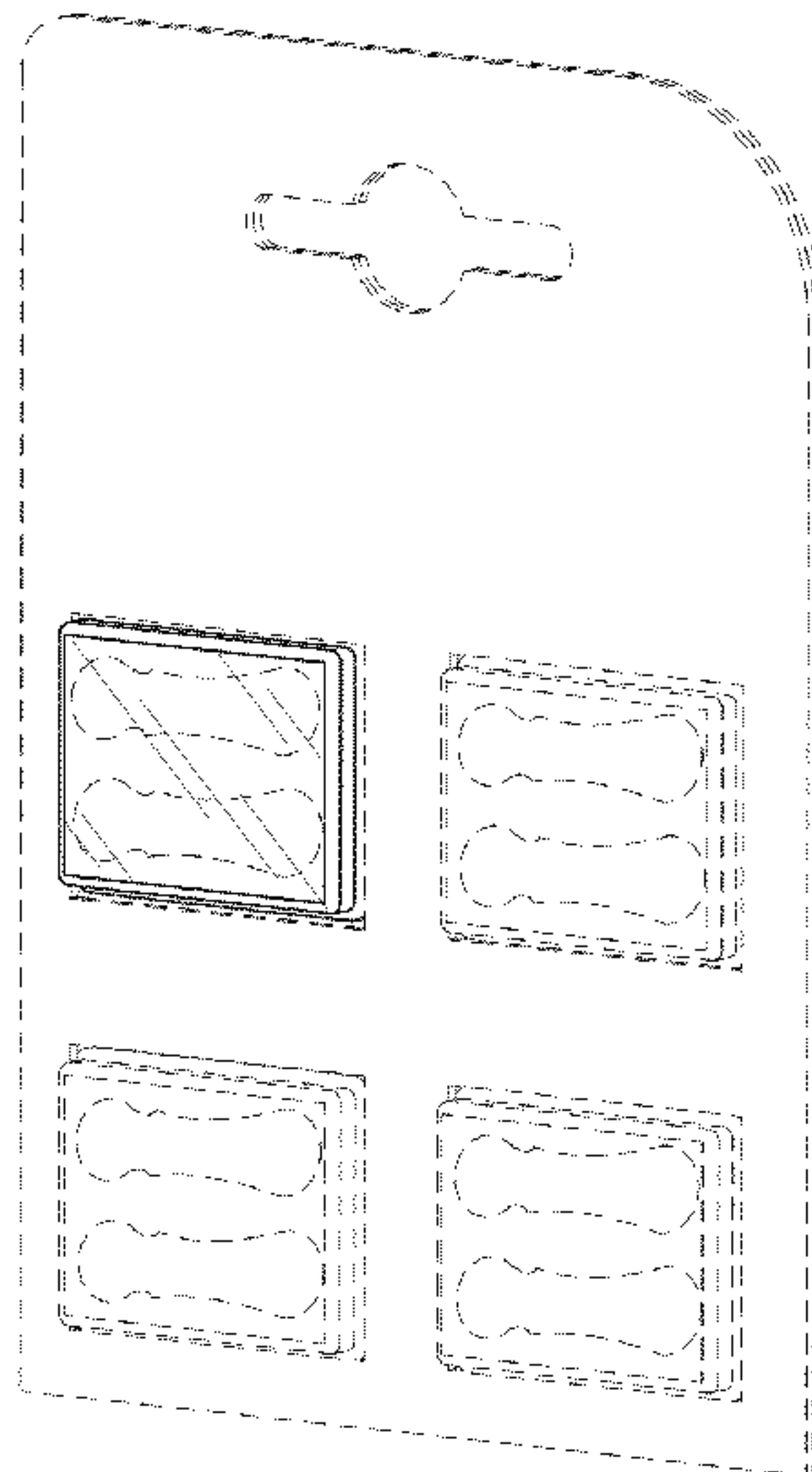
FIG. 1 is a perspective view of a design for a battery package of the present invention;
 FIG. 2 is a front view thereof;
 FIG. 3 is a back view thereof;
 FIG. 4 is a bottom view thereof;
 FIG. 5 is a top thereof;
 FIG. 6 is a left side view thereof; and,
 FIG. 7 is a right side view thereof.
 The broken lines shown in FIGS. 1-7 represent unclaimed subject matter and form no part of the claimed design.

(56) **References Cited**

U.S. PATENT DOCUMENTS

3,018,879 A *	1/1962	Crane, Jr.	206/462
3,246,747 A *	4/1966	Blish	206/462
3,292,810 A *	12/1966	Schechter	220/4.24
3,351,192 A *	11/1967	La Plante	206/532
D211,448 S *	6/1968	Seiferth	D9/415
D214,459 S *	6/1969	Stageberg	D7/553.5
3,483,964 A *	12/1969	Muehling et al.	426/123
3,532,209 A *	10/1970	Del Bonis et al.	206/45.24

1 Claim, 3 Drawing Sheets



(56)

References Cited

U.S. PATENT DOCUMENTS

D451,014 S	11/2001	Otto	
D451,015 S	11/2001	Otto	
D510,278 S *	10/2005	Mikami et al.	D9/756
D548,617 S	8/2007	Ferguson et al.	
D548,618 S	8/2007	Ferguson et al.	
D548,619 S	8/2007	Ferguson et al.	
D548,620 S	8/2007	Ferguson et al.	
D549,111 S	8/2007	Ferguson et al.	
D556,601 S	12/2007	Ferguson et al.	
D573,038 S *	7/2008	Picken	D9/737
D581,264 S	11/2008	Mapes, Jr.	
D585,762 S *	2/2009	Friedland et al.	D9/707
7,823,742 B2 *	11/2010	Valentine et al.	220/507
8,056,721 B2 *	11/2011	Hession	206/461
D655,154 S *	3/2012	Amos et al.	D9/425
8,550,250 B2 *	10/2013	Wade	206/562
2004/0040880 A1 *	3/2004	Grosskopf	206/461
2012/0228193 A1 *	9/2012	Palmer et al.	206/775

* cited by examiner

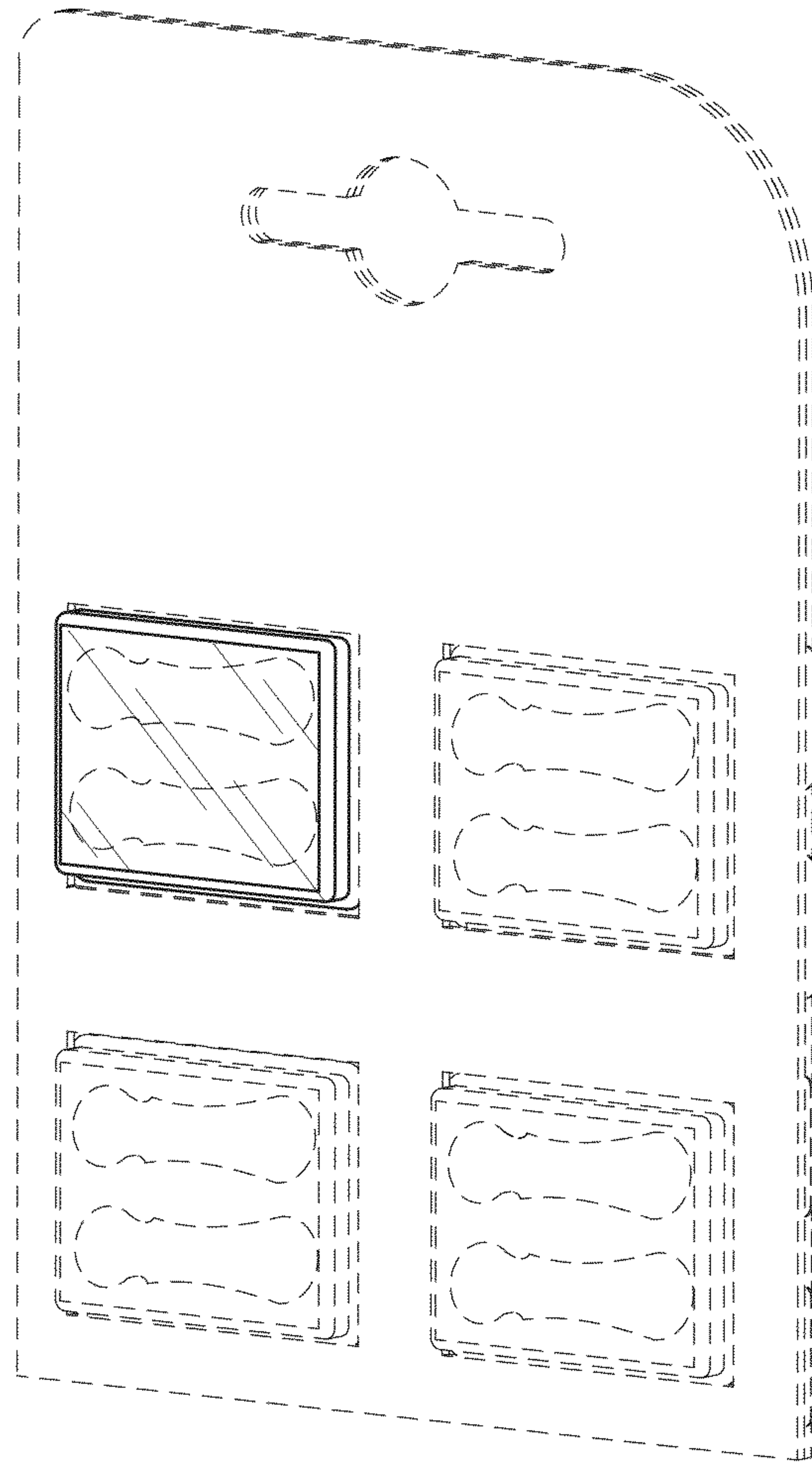


Fig. 1



Fig. 3

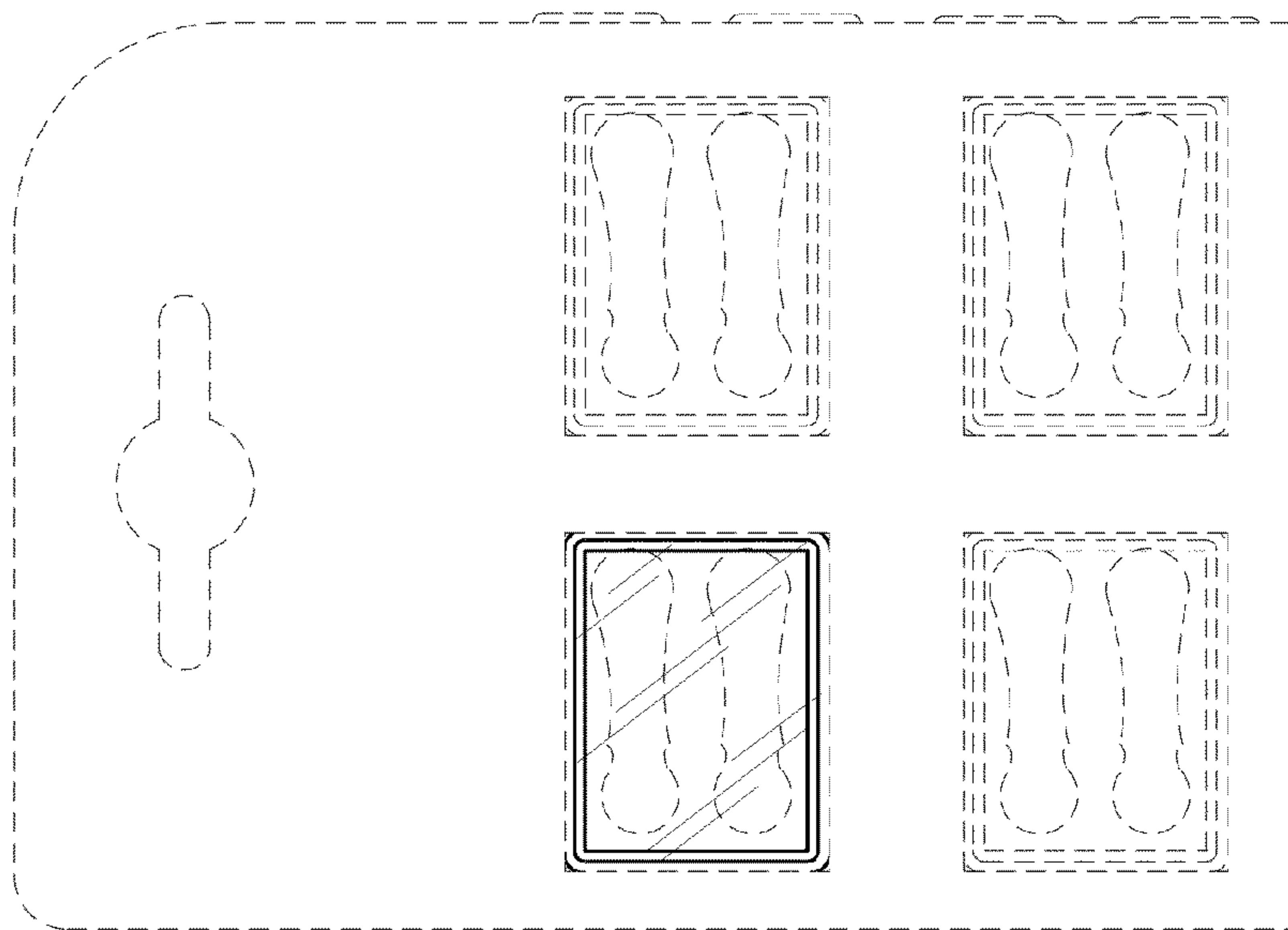


Fig. 2



Fig. 5



Fig. 4

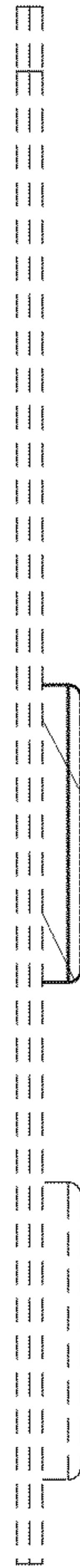


Fig. 6

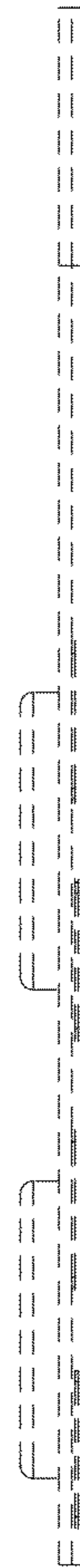


Fig. 7