



US00D712273S

(12) **United States Design Patent**  
**Jacobs et al.**

(10) **Patent No.:** **US D712,273 S**  
(45) **Date of Patent:** **\*\* Sep. 2, 2014**

(54) **BOTTLE ELEMENT**

(71) Applicant: **Marc Jacobs Trademarks, L.L.C.**, New York, NY (US)

(72) Inventors: **Marc Jacobs**, Paris (FR); **Sayuri Shoji**, Tokyo (JP)

(73) Assignee: **Marc Jacobs Trademarks, L.L.C.**, New York, NY (US)

(\*\*) Term: **14 Years**

(21) Appl. No.: **29/444,017**

(22) Filed: **Jan. 25, 2013**

(51) **LOC (10) Cl.** ..... **09-01**

(52) **U.S. Cl.**  
USPC ..... **D9/630; D9/519; D9/451**

(58) **Field of Classification Search**

USPC ..... D7/514–520, 613, 619.2, 623, 628,  
D7/392.1; D9/600, 630, 500–504,  
D9/516.519, 549, 434–435, 443, 451;  
206/494, 457, 459.1, 459.5; 215/230,  
215/400

See application file for complete search history.

(56) **References Cited**

**U.S. PATENT DOCUMENTS**

D365,276 S \* 12/1995 Dinand ..... D9/504  
D367,009 S \* 2/1996 Dinand ..... D9/519

(Continued)

*Primary Examiner* — Sandra Morris

(74) *Attorney, Agent, or Firm* — Ward & Zinna, LLC

(57) **CLAIM**

The ornamental design for a bottle element, as shown and described.

**DESCRIPTION**

FIG. 1 is a top, right side perspective view of a first embodiment of a bottle element according to the present invention; FIG. 2 is a front view of the first embodiment of the bottle element;

FIG. 3 is a rear view of the first embodiment of the bottle element;

FIG. 4 is a left side view of the first embodiment of the bottle element;

FIG. 5 is a right side view of the first embodiment of the bottle element;

FIG. 6 is a top view of the first embodiment of the bottle element;

FIG. 7 is a bottom view of the first embodiment of the bottle element;

FIG. 8 is a top, left side perspective view of a second embodiment of a bottle element according to the present invention;

FIG. 9 is a front view of the second embodiment of the bottle element;

FIG. 10 is a rear view of the second embodiment of the bottle element;

FIG. 11 is a left side view of the second embodiment of the bottle element;

FIG. 12 is a right side view of the second embodiment of the bottle element;

FIG. 13 is a top view of the second embodiment of the bottle element;

FIG. 14 is a bottom view of the second embodiment of the bottle element;

FIG. 15 is a top, left side perspective view of a third embodiment of a bottle element according to the present invention;

FIG. 16 is a front view of the third embodiment of the bottle element;

FIG. 17 is a rear view of the third embodiment of the bottle element;

FIG. 18 is a left side view of the third embodiment of the bottle element;

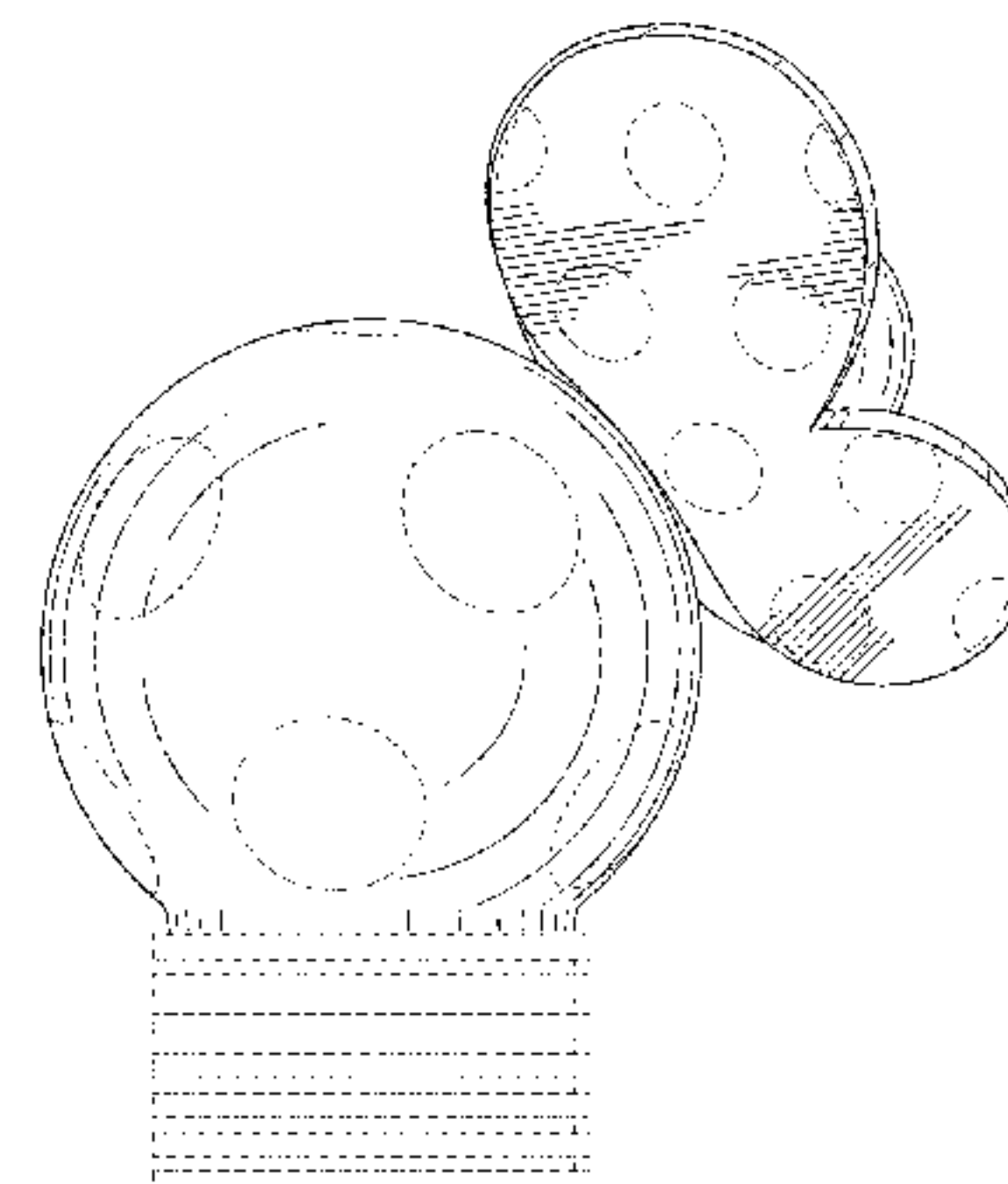
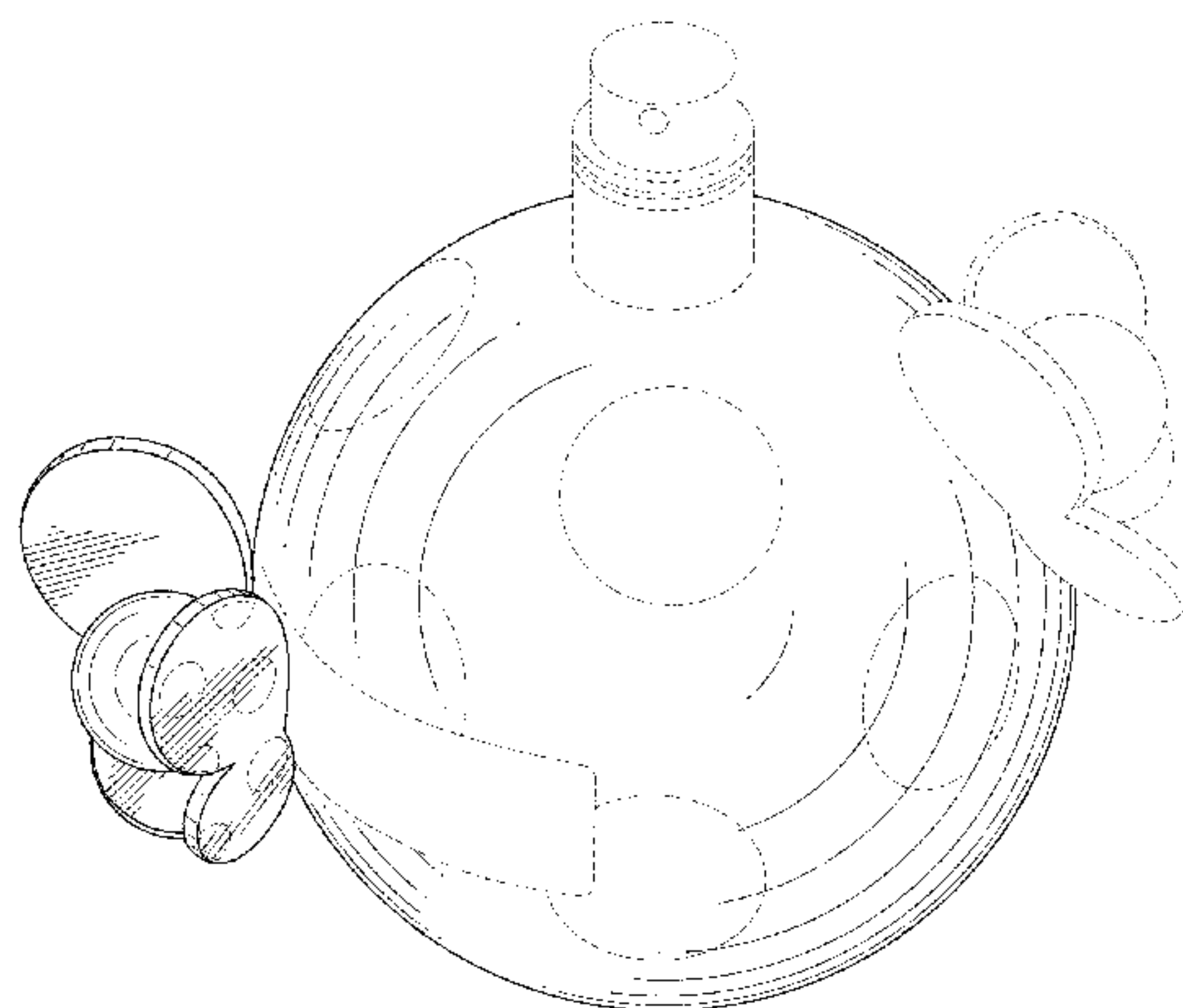
FIG. 19 is a right side view of the third embodiment of the bottle element;

FIG. 20 is a top view of the third embodiment of the bottle element; and,

FIG. 21 is a bottom view of the third embodiment of the bottle element.

The broken lines showing in the figures are included for the purpose of illustrating environment of the design and form no part of the claimed invention.

**1 Claim, 18 Drawing Sheets**



(56)

**References Cited**

U.S. PATENT DOCUMENTS

D442,475 S \* 5/2001 Krunas ..... D9/601  
D460,693 S \* 7/2002 Flowers ..... D9/519  
D490,312 S \* 5/2004 Letbetter, Jr. .... D9/451

D555,502 S \* 11/2007 Fouques Du Parc ..... D9/630  
D565,413 S \* 4/2008 Honkawa et al. .... D9/519  
D588,927 S \* 3/2009 Antretter ..... D9/630  
D595,576 S \* 7/2009 Antretter ..... D9/451  
D631,365 S \* 1/2011 DeBoer ..... D9/519

\* cited by examiner

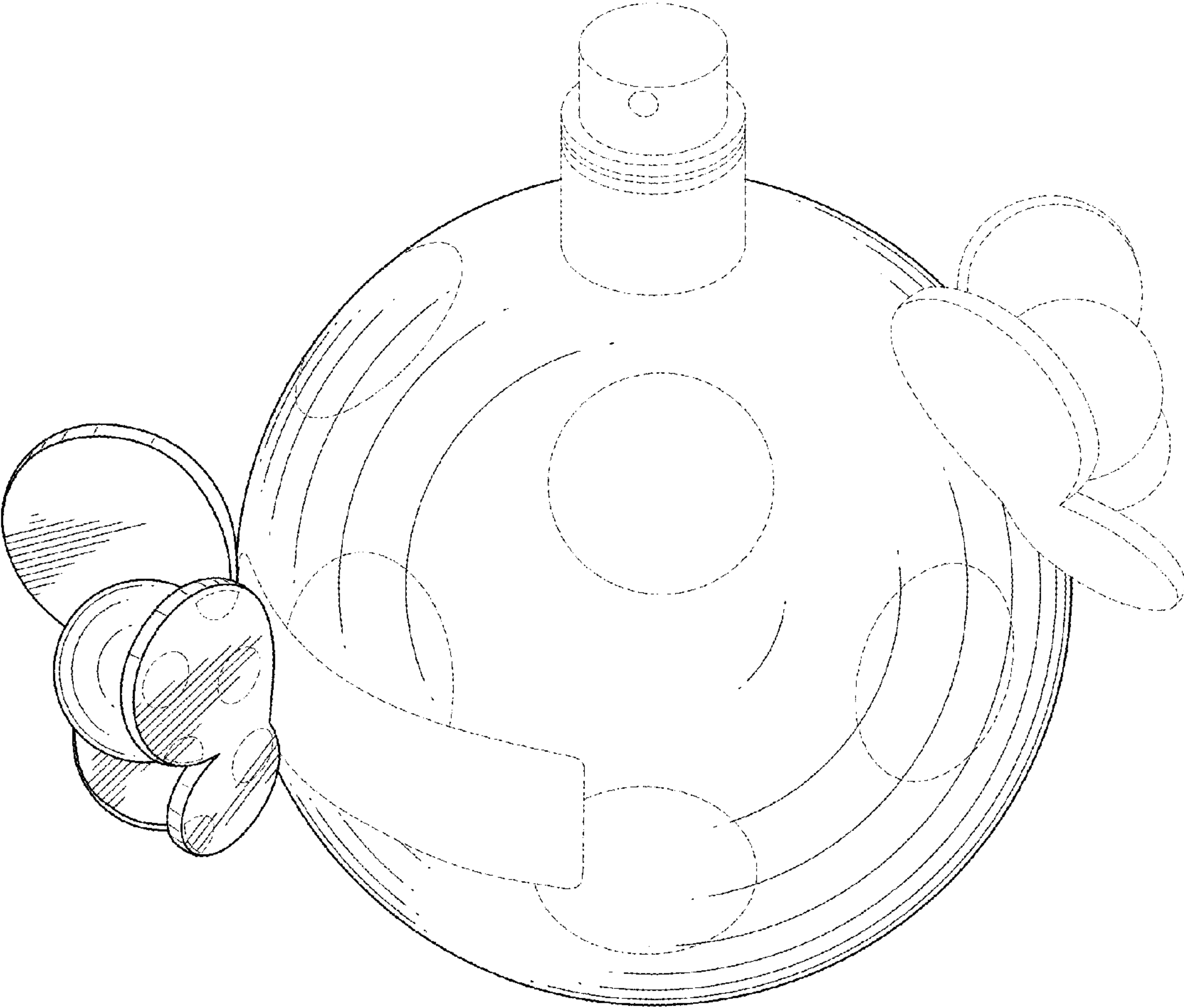


FIG. 1

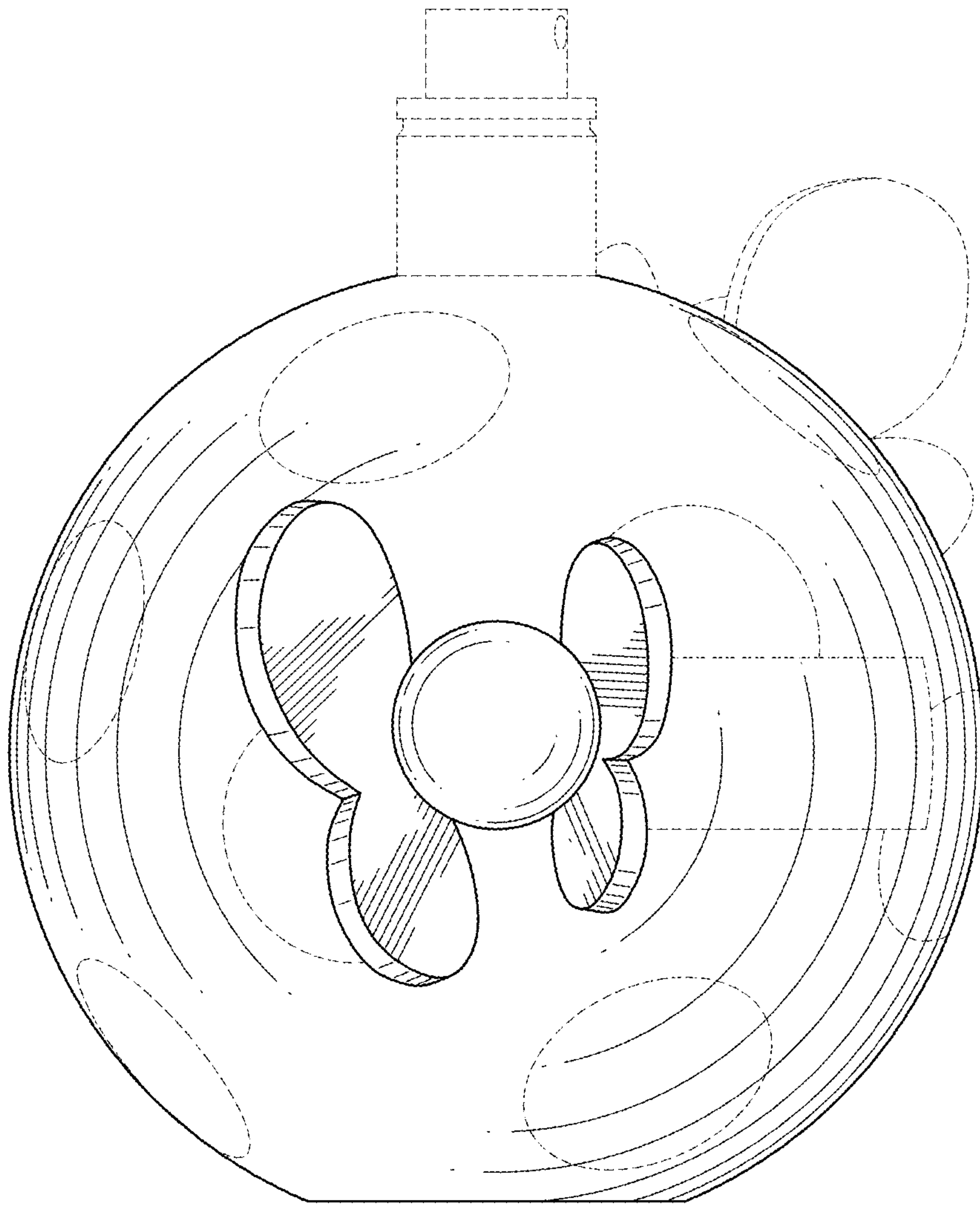


FIG. 2

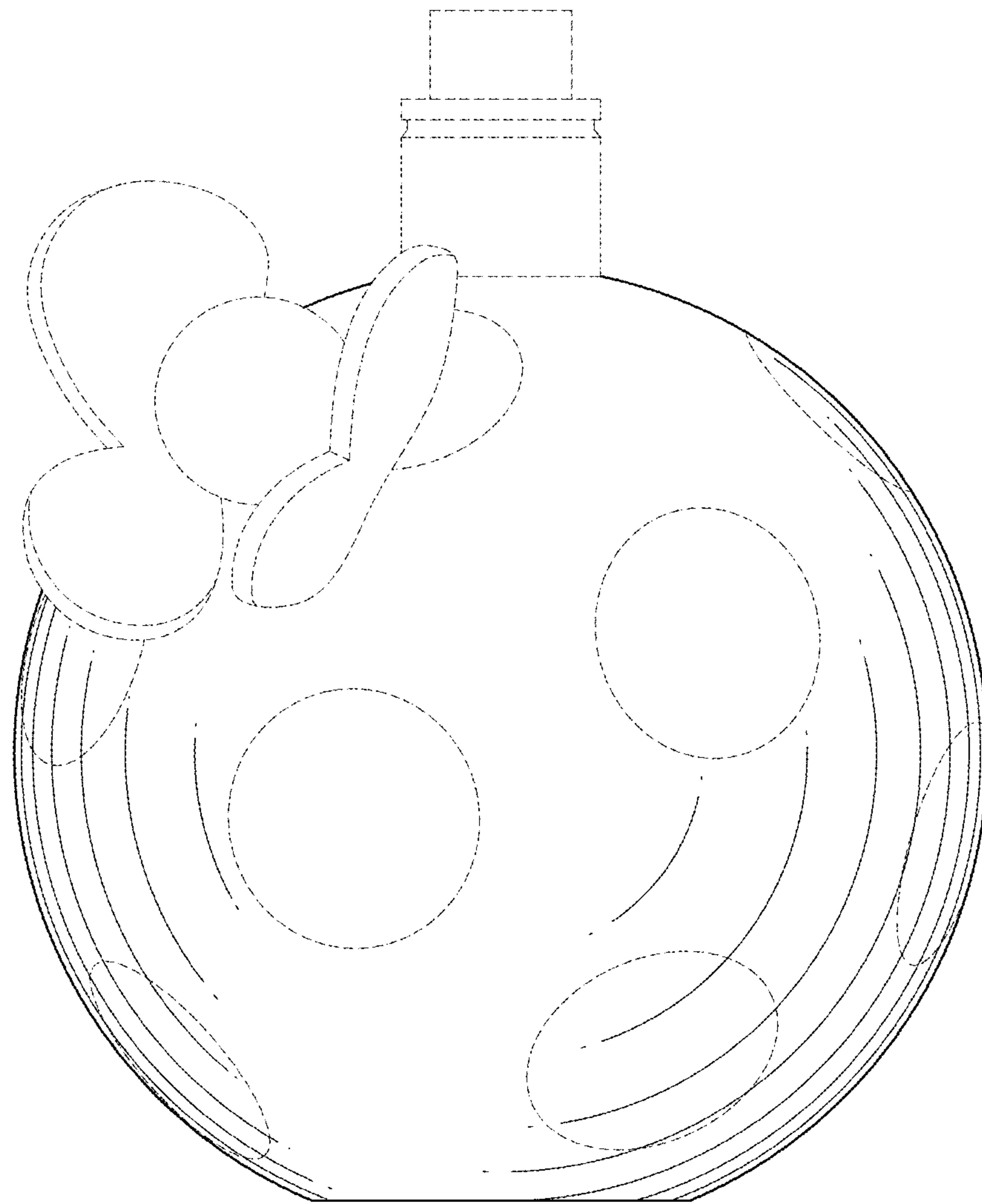


FIG. 3



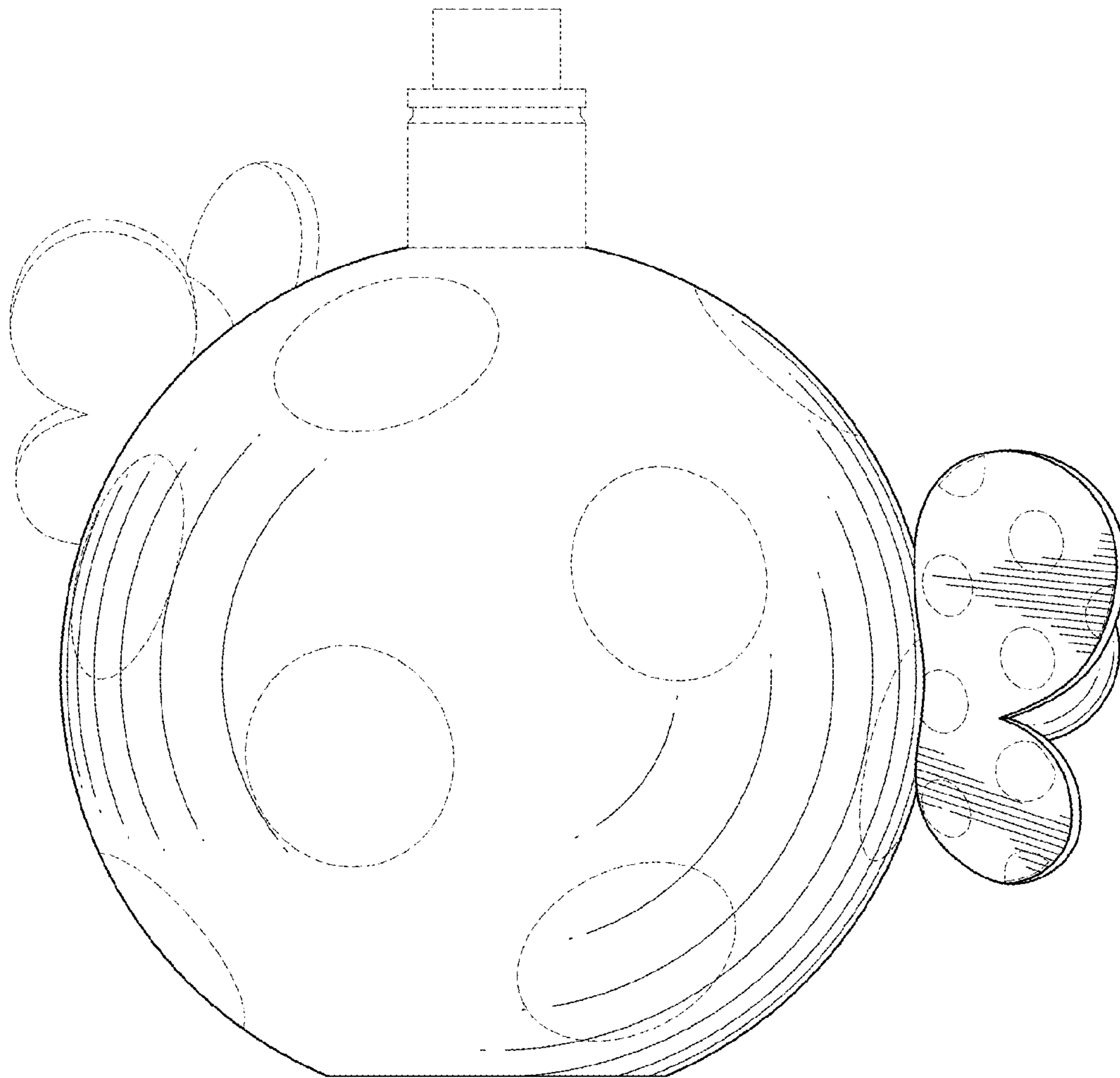


FIG.4

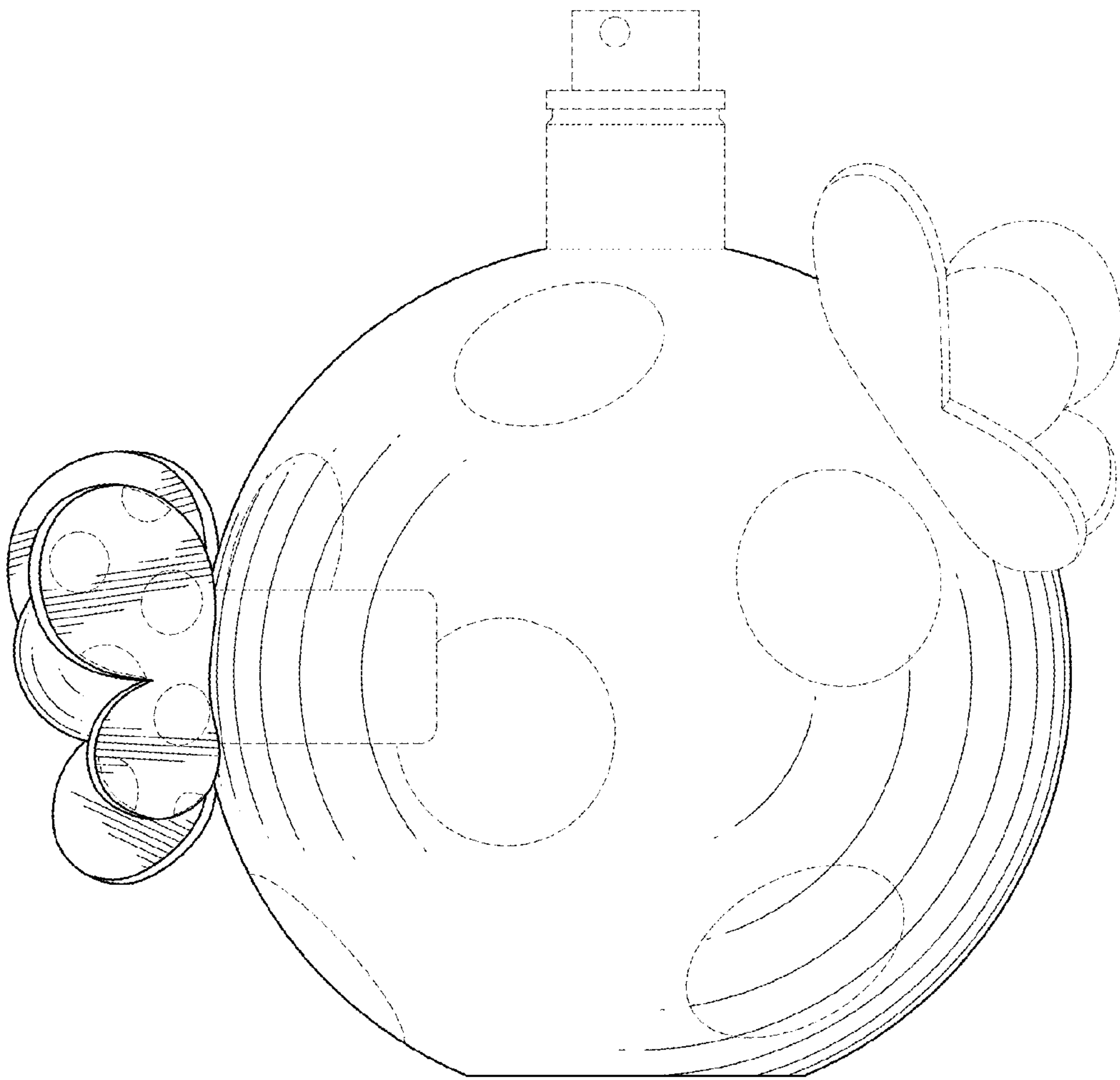


FIG. 5

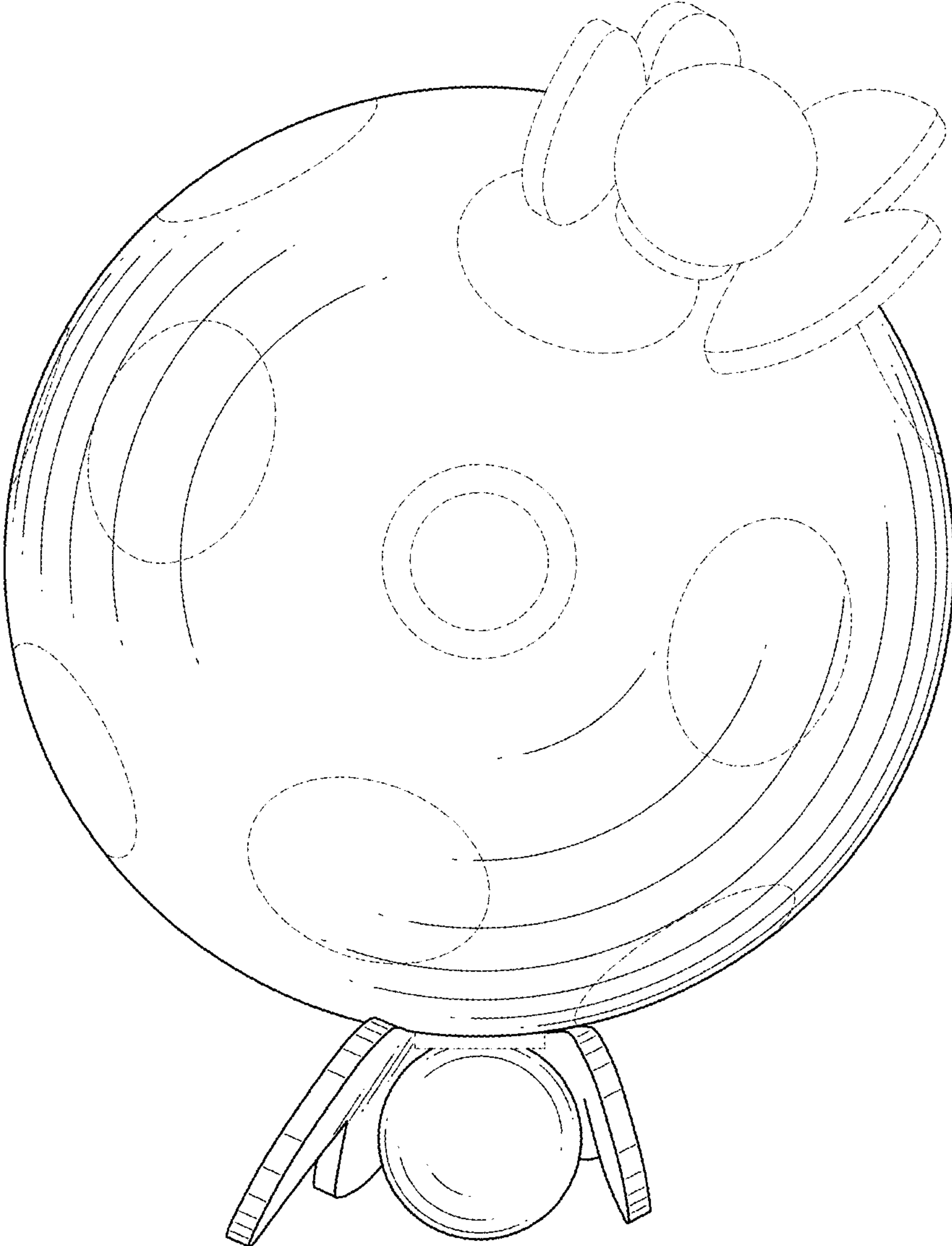


FIG. 6



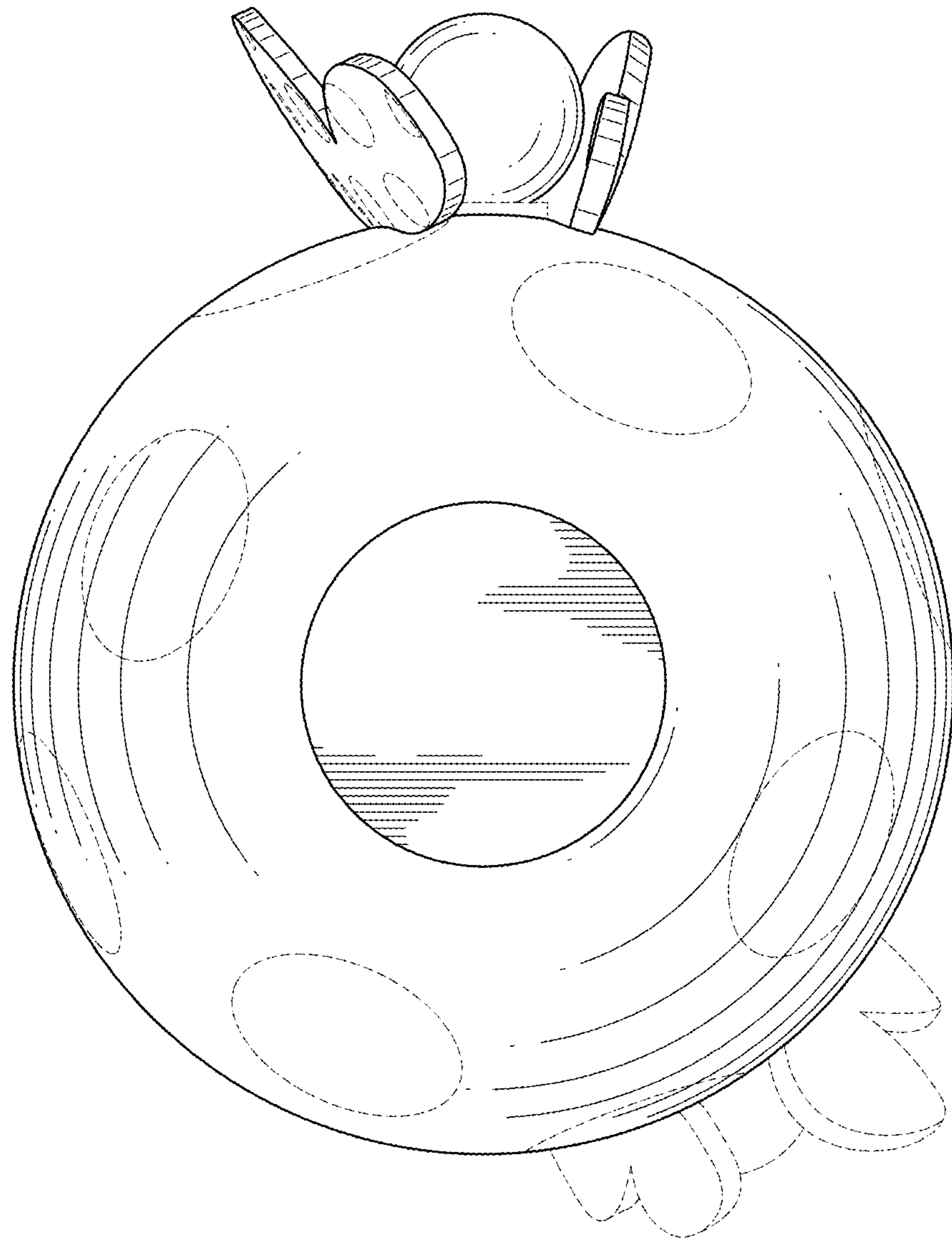


FIG. 7

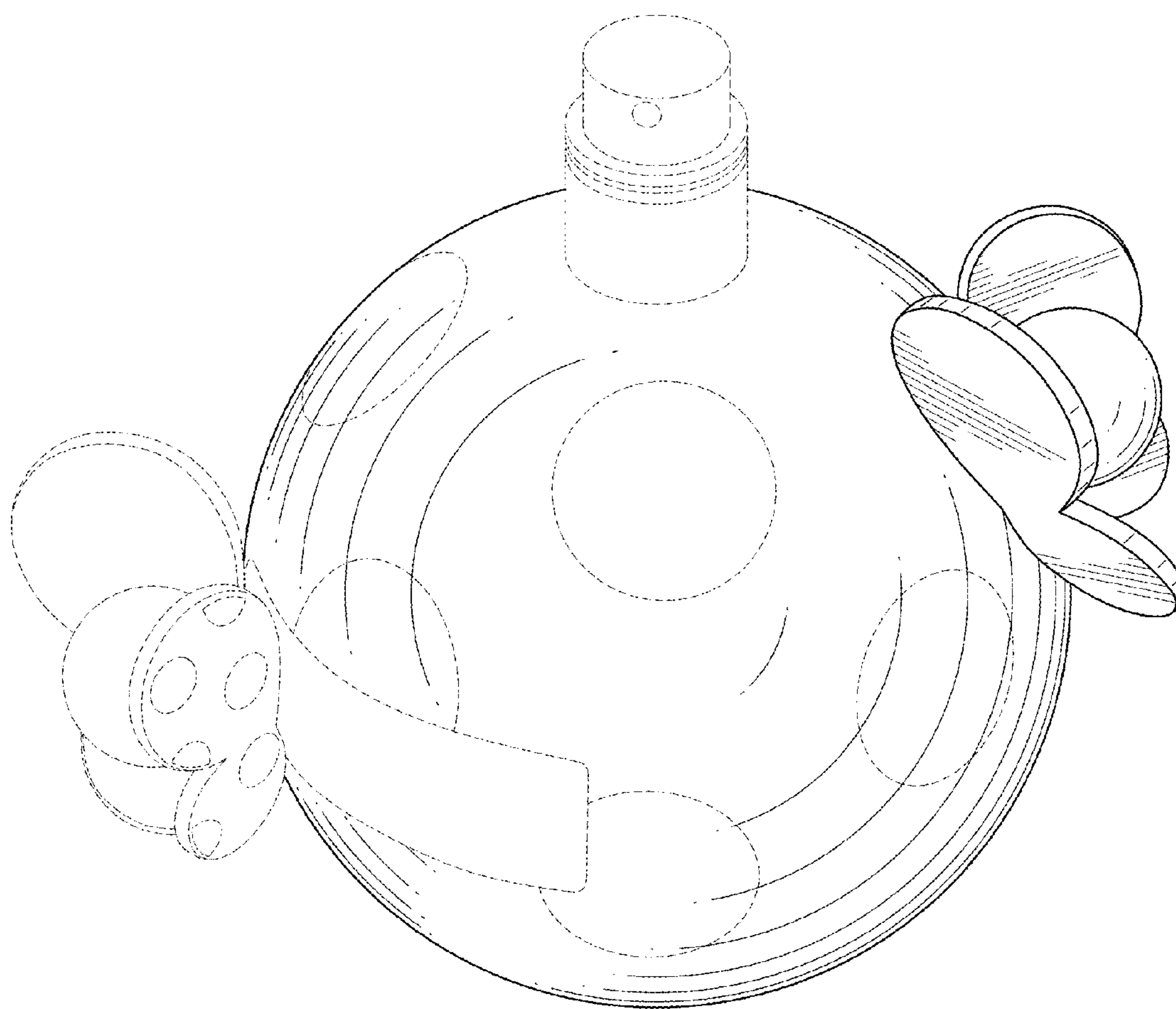


FIG.8

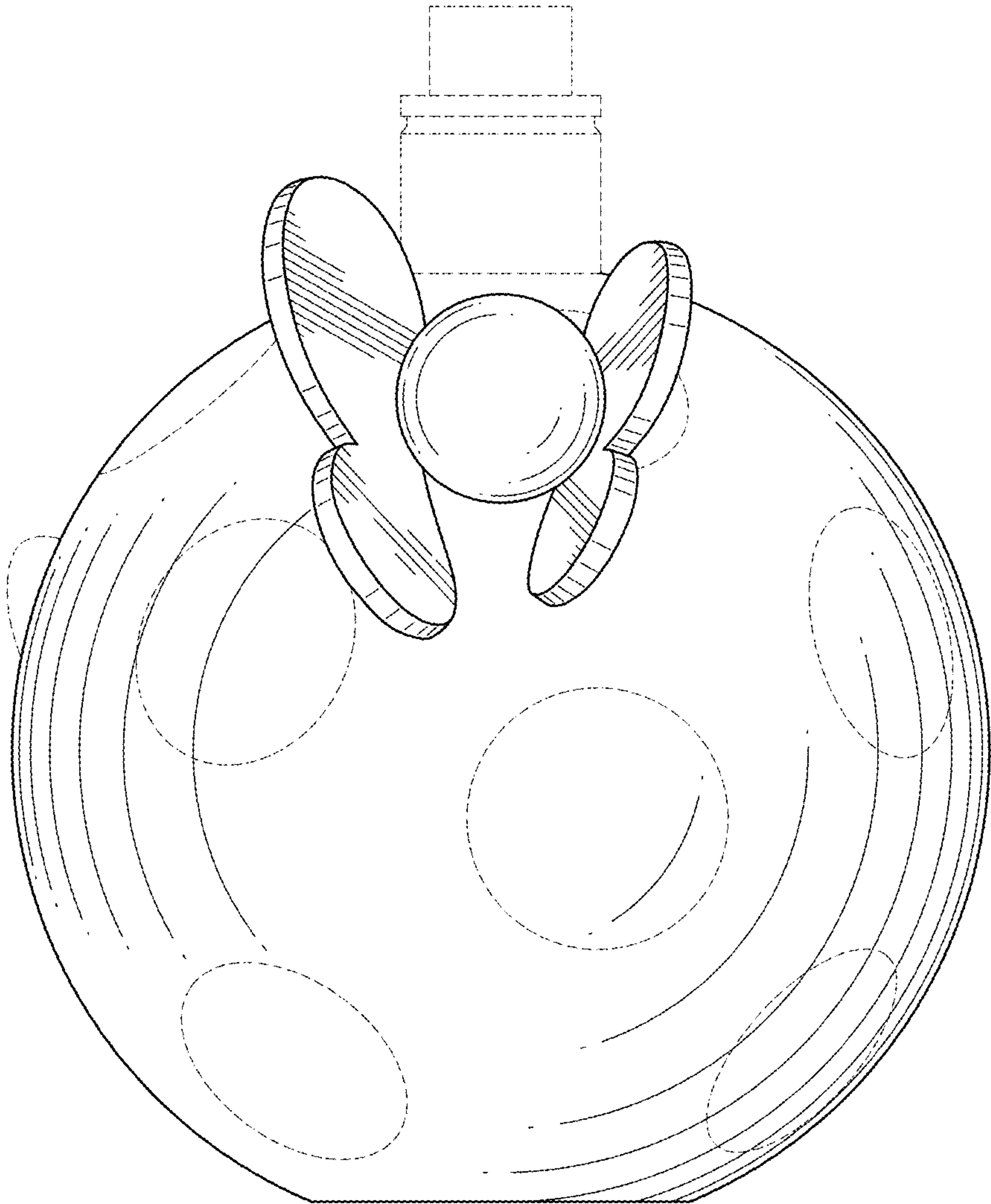


FIG. 9

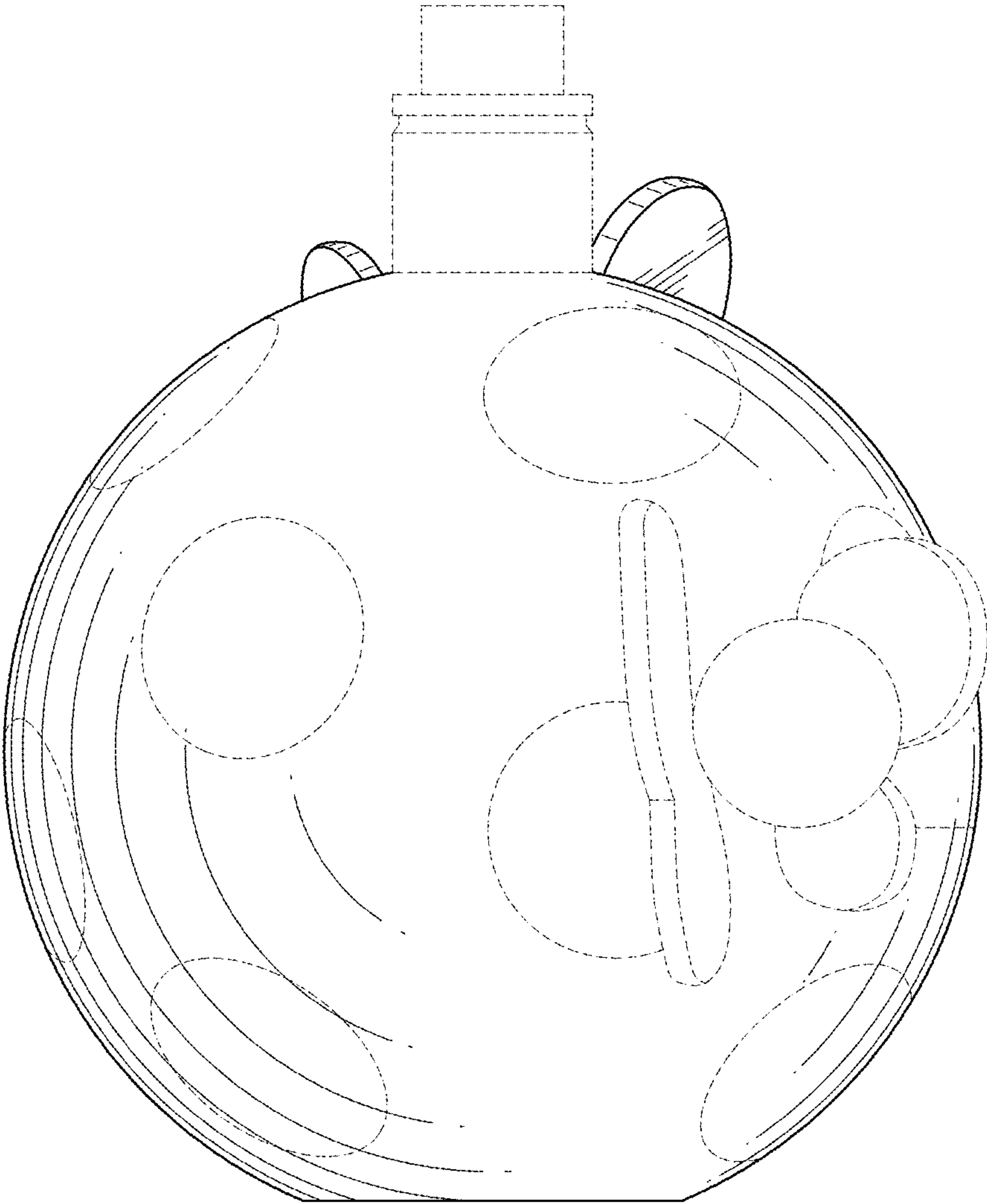


FIG. 10

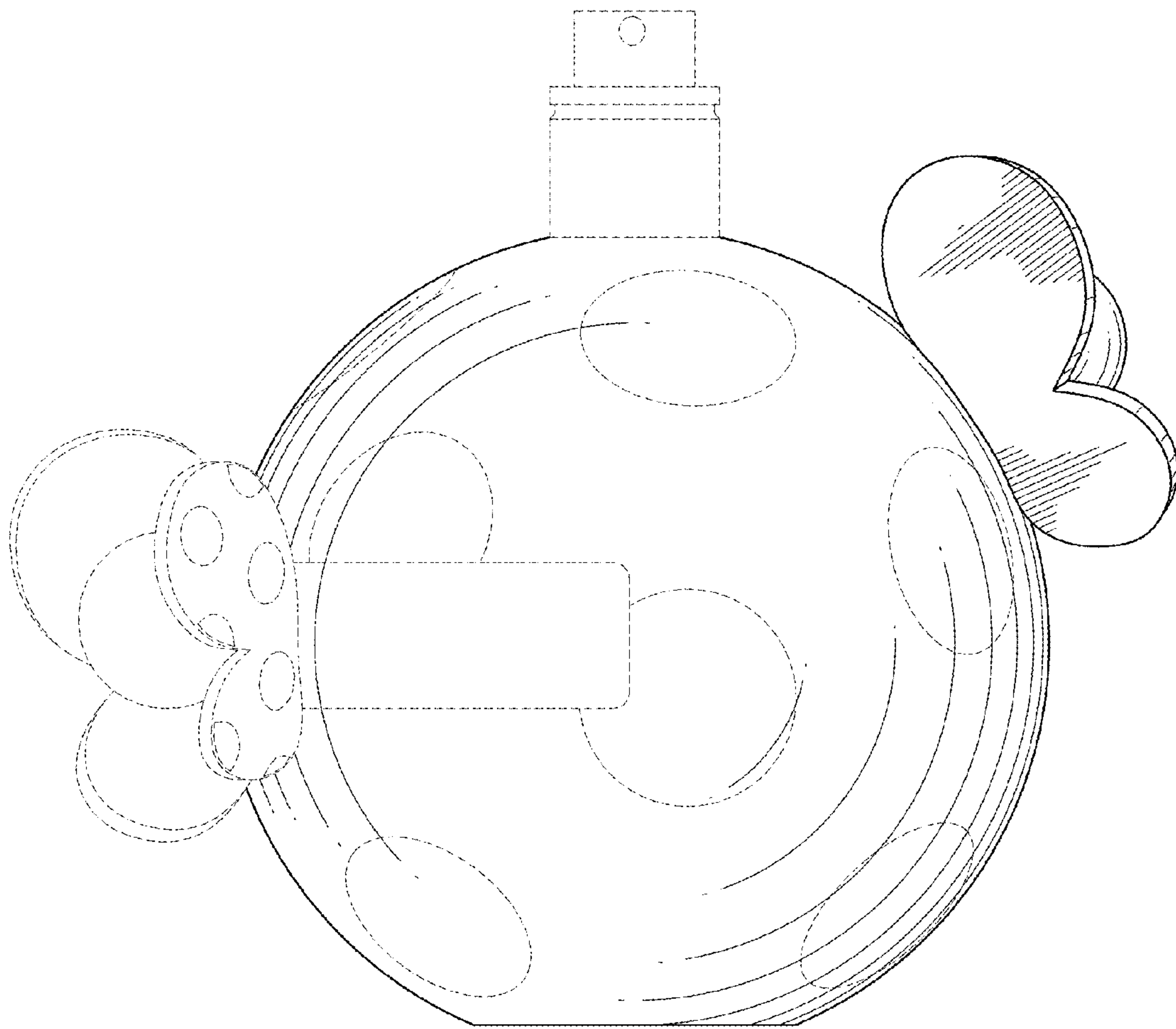


FIG. 11



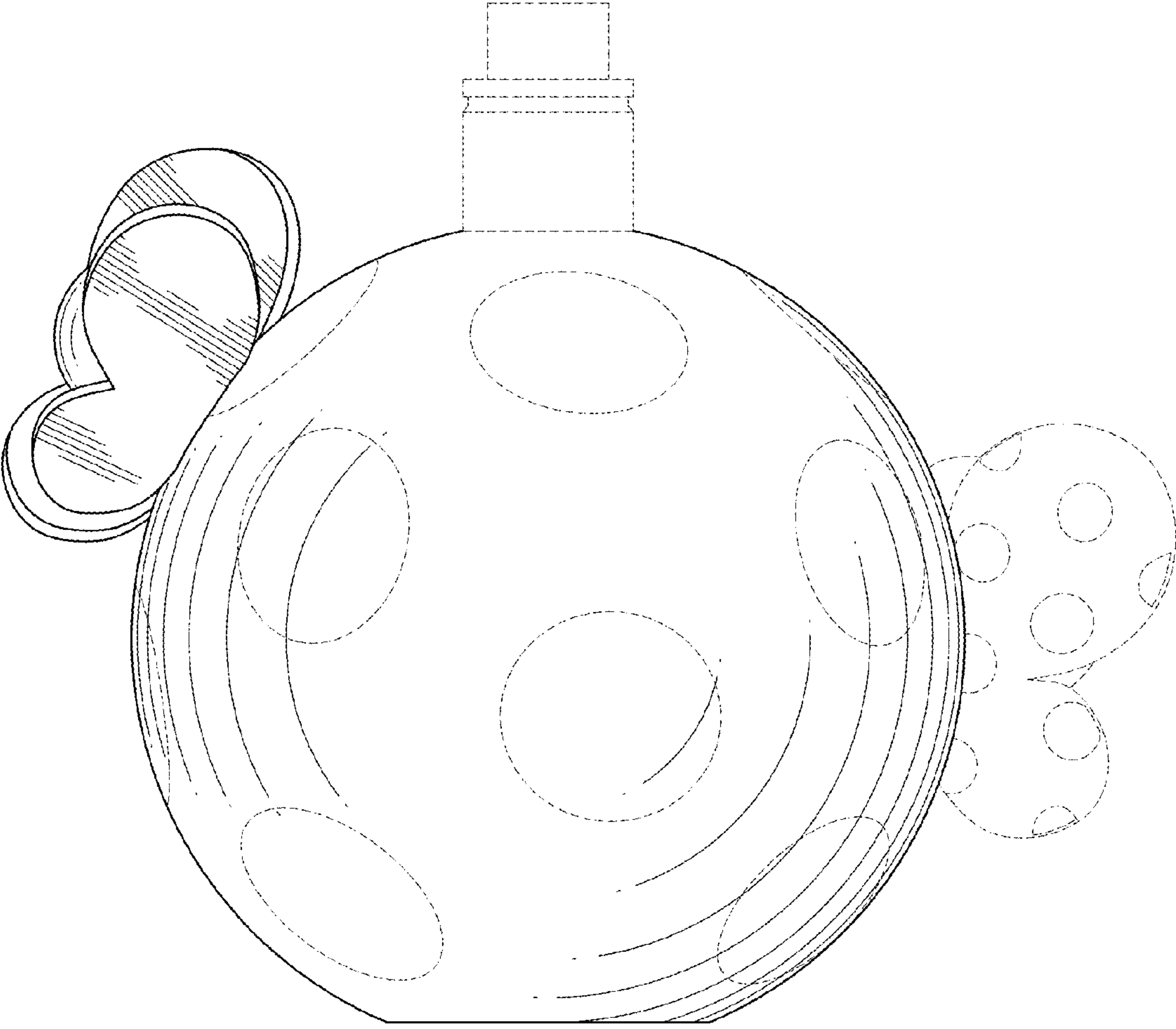


FIG.12

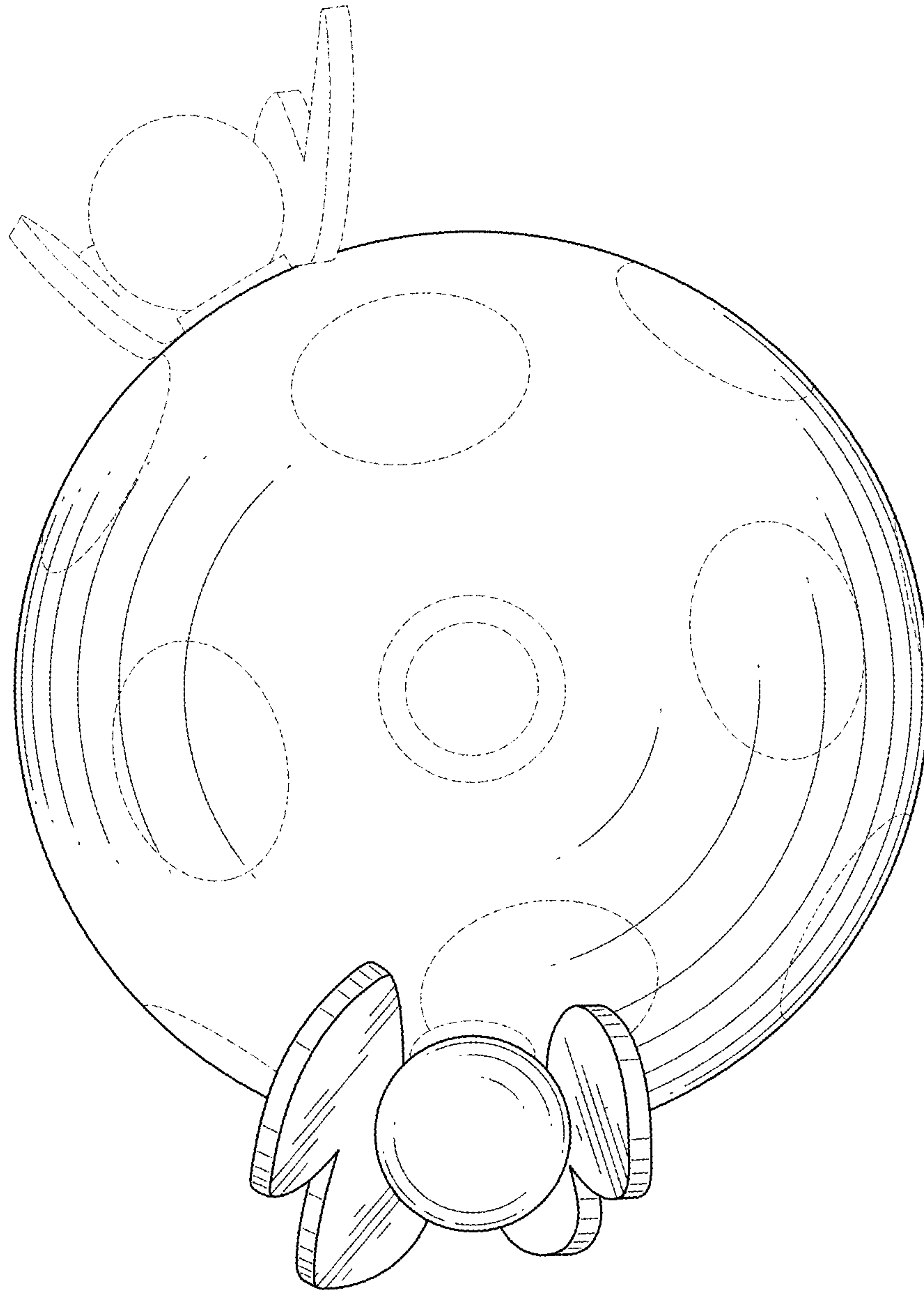


FIG. 13

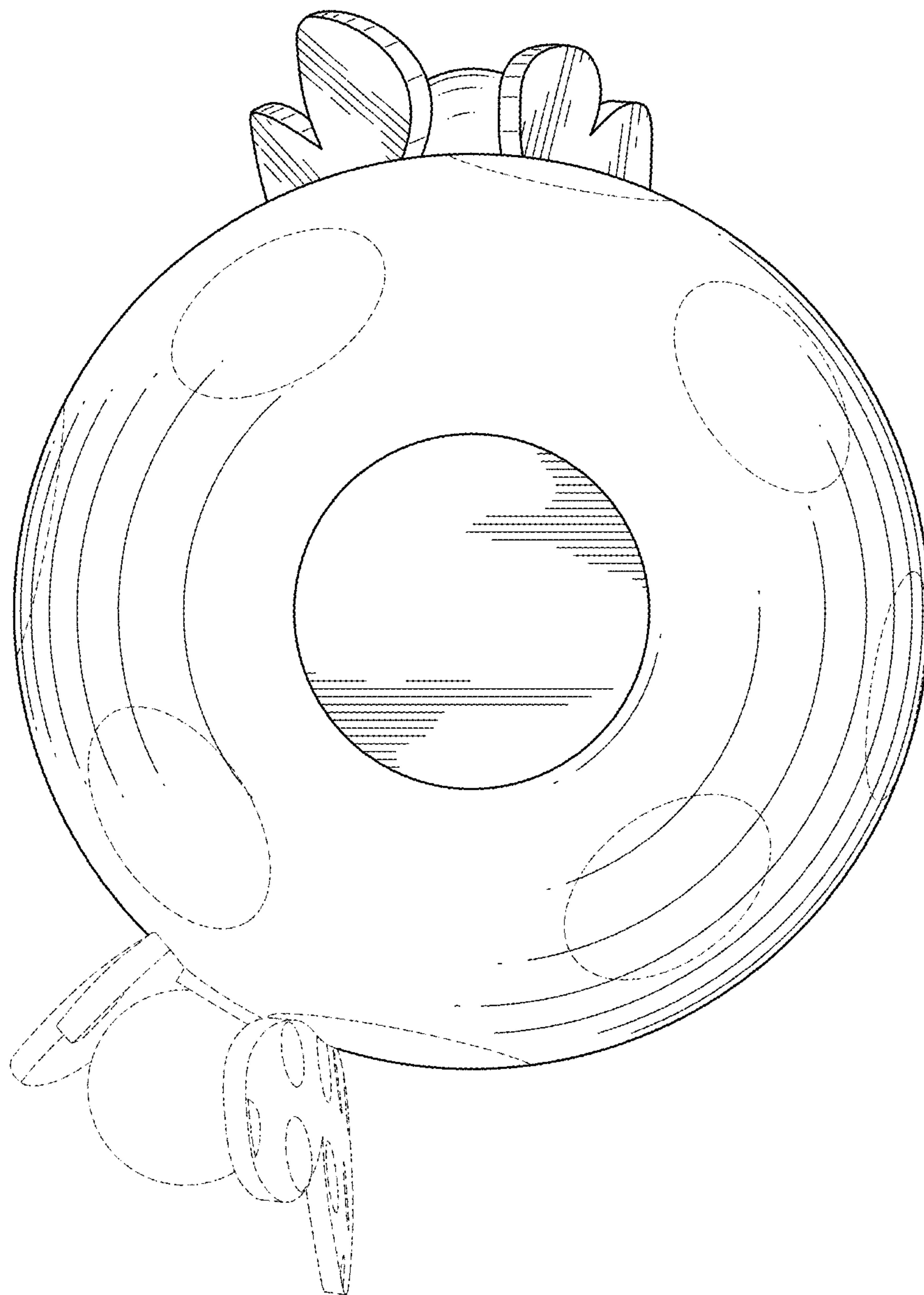


FIG. 14

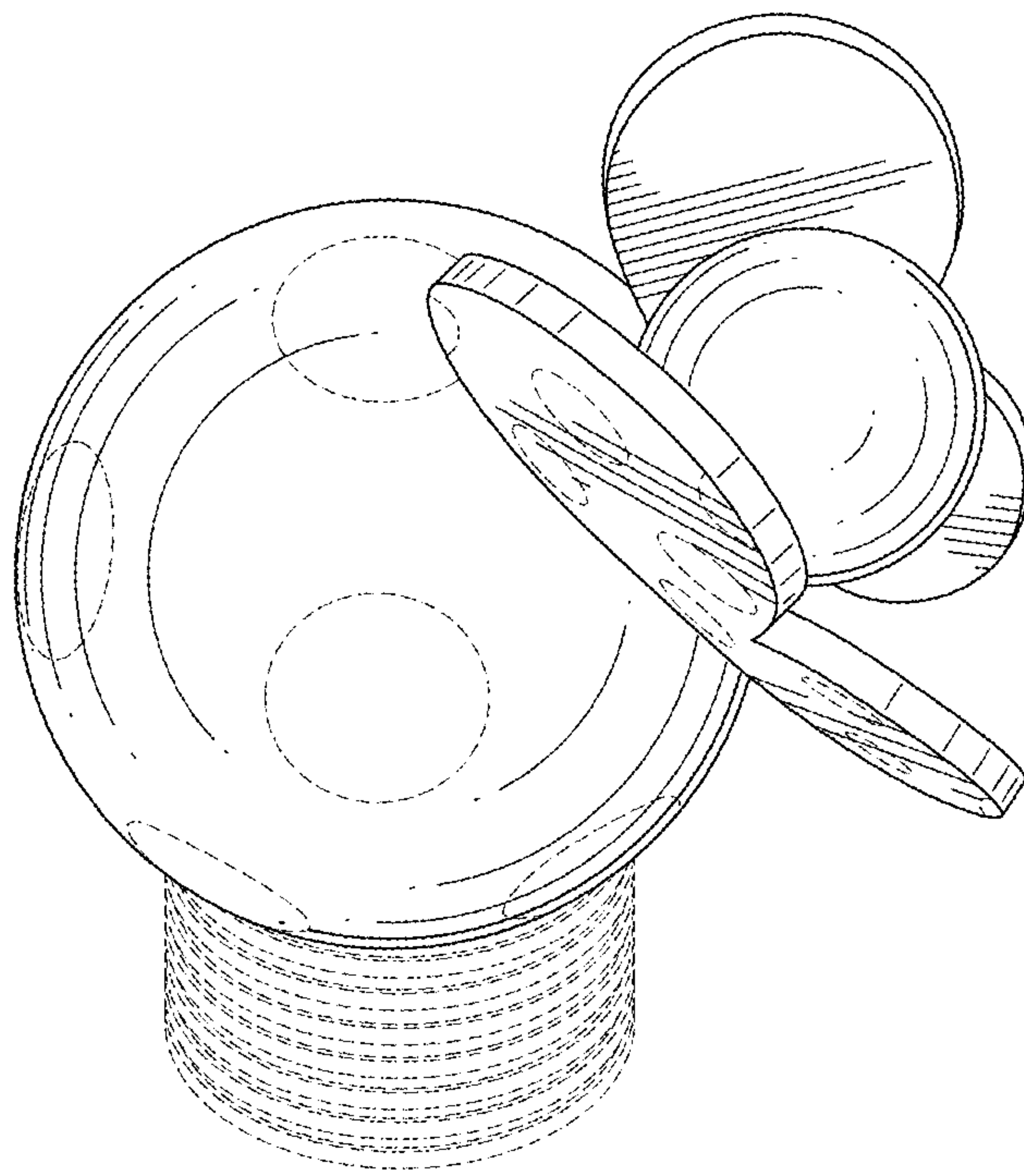


FIG. 15

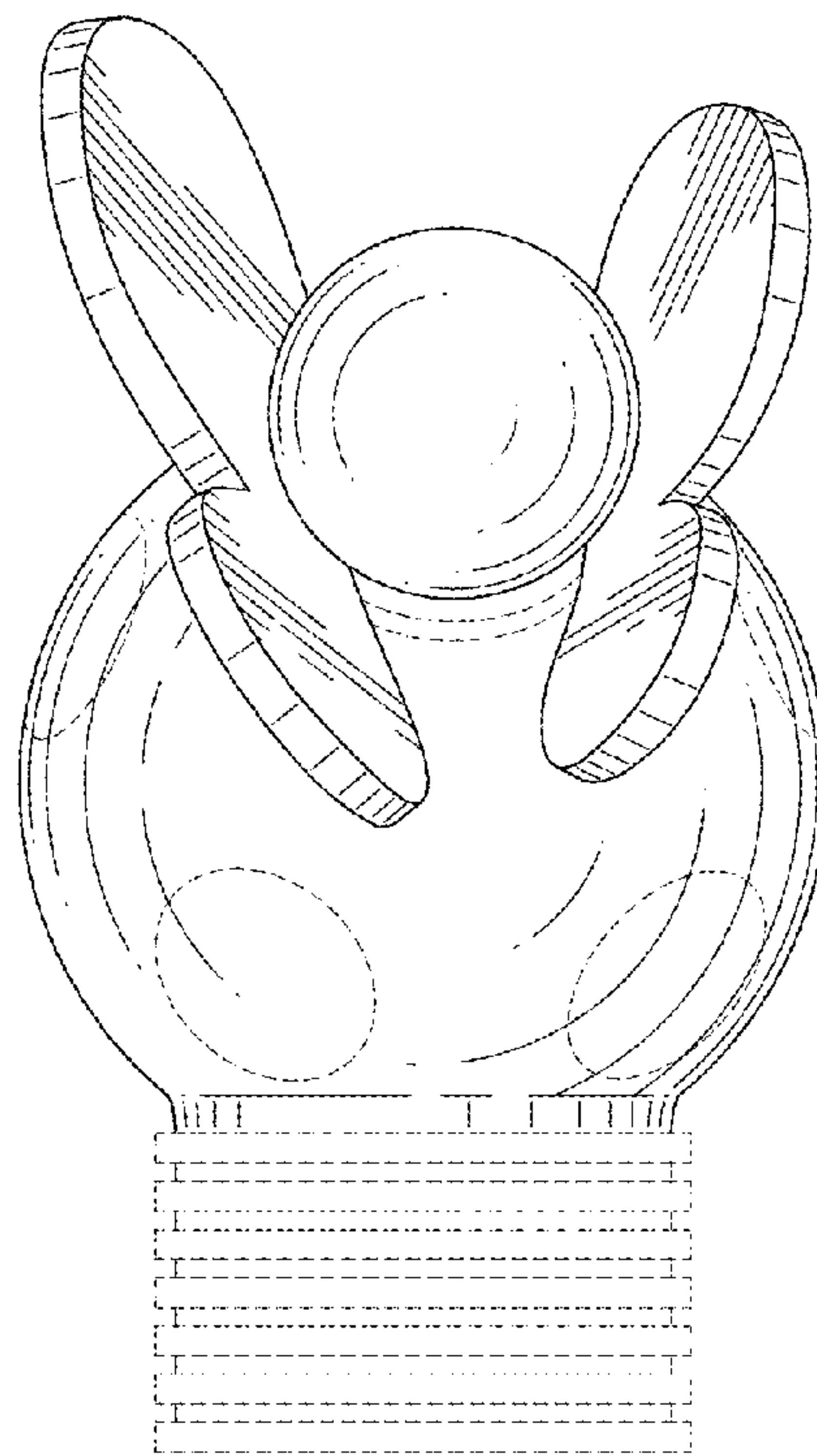


FIG. 16

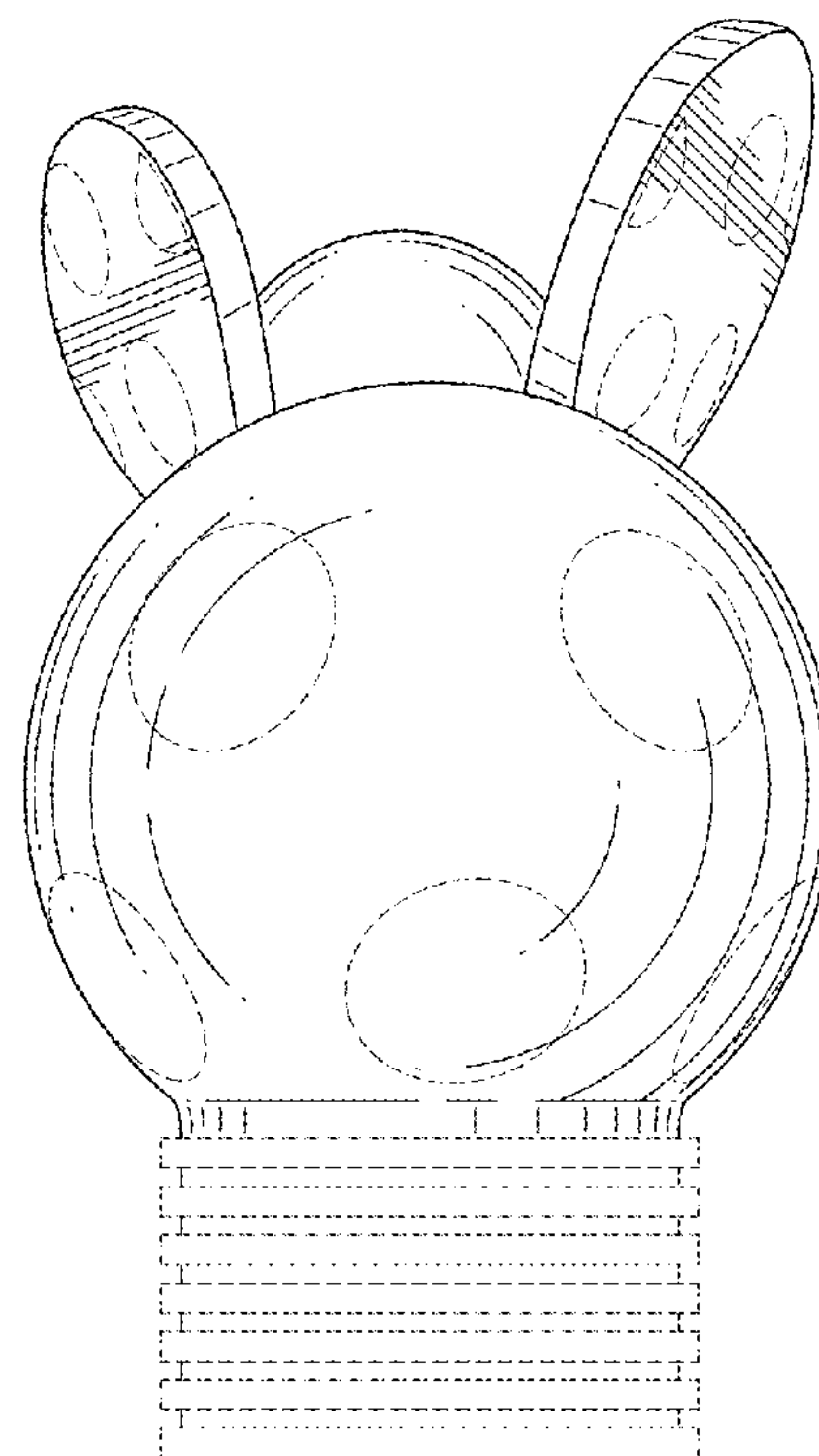


FIG. 17



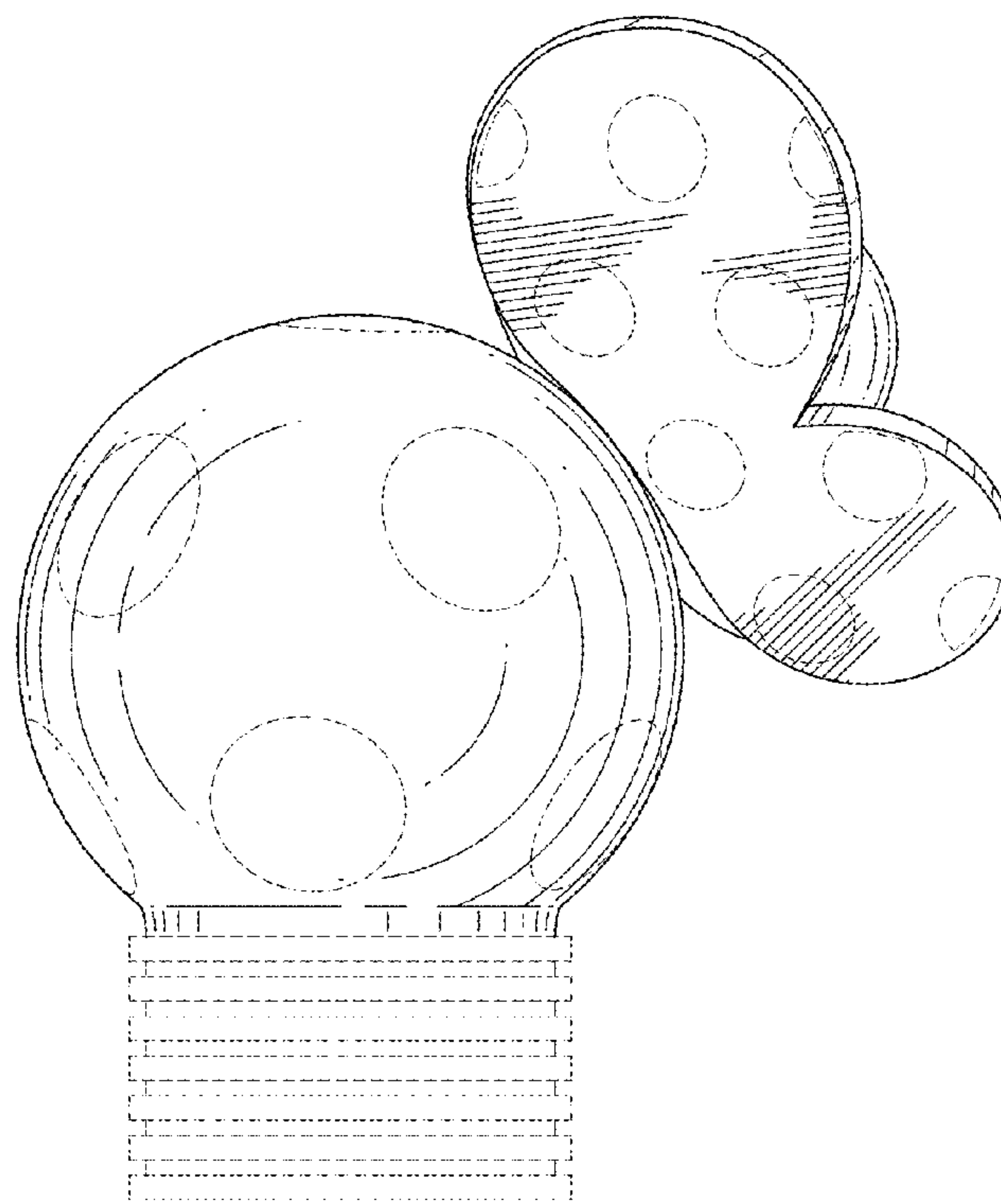


FIG. 18

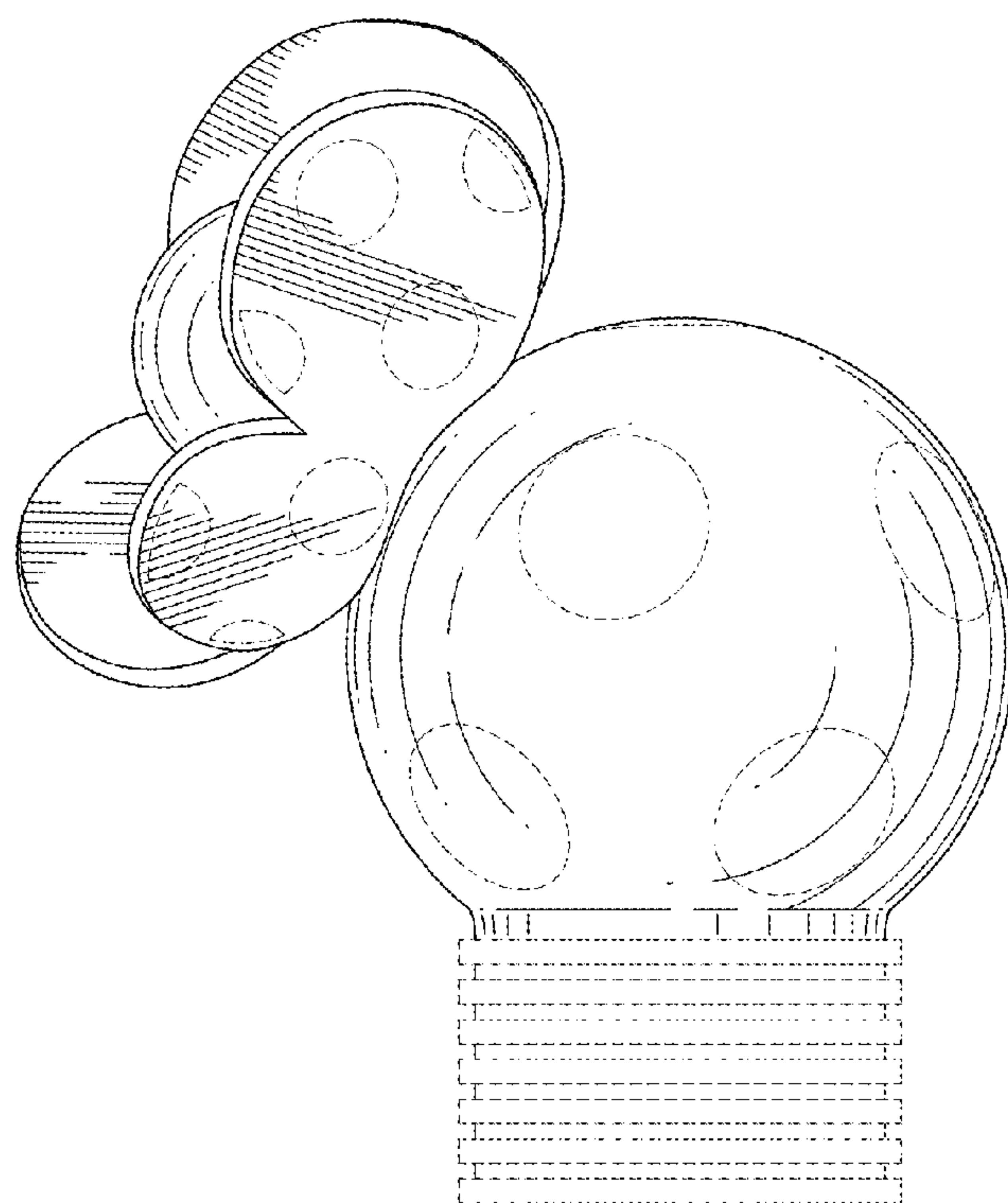


FIG. 19

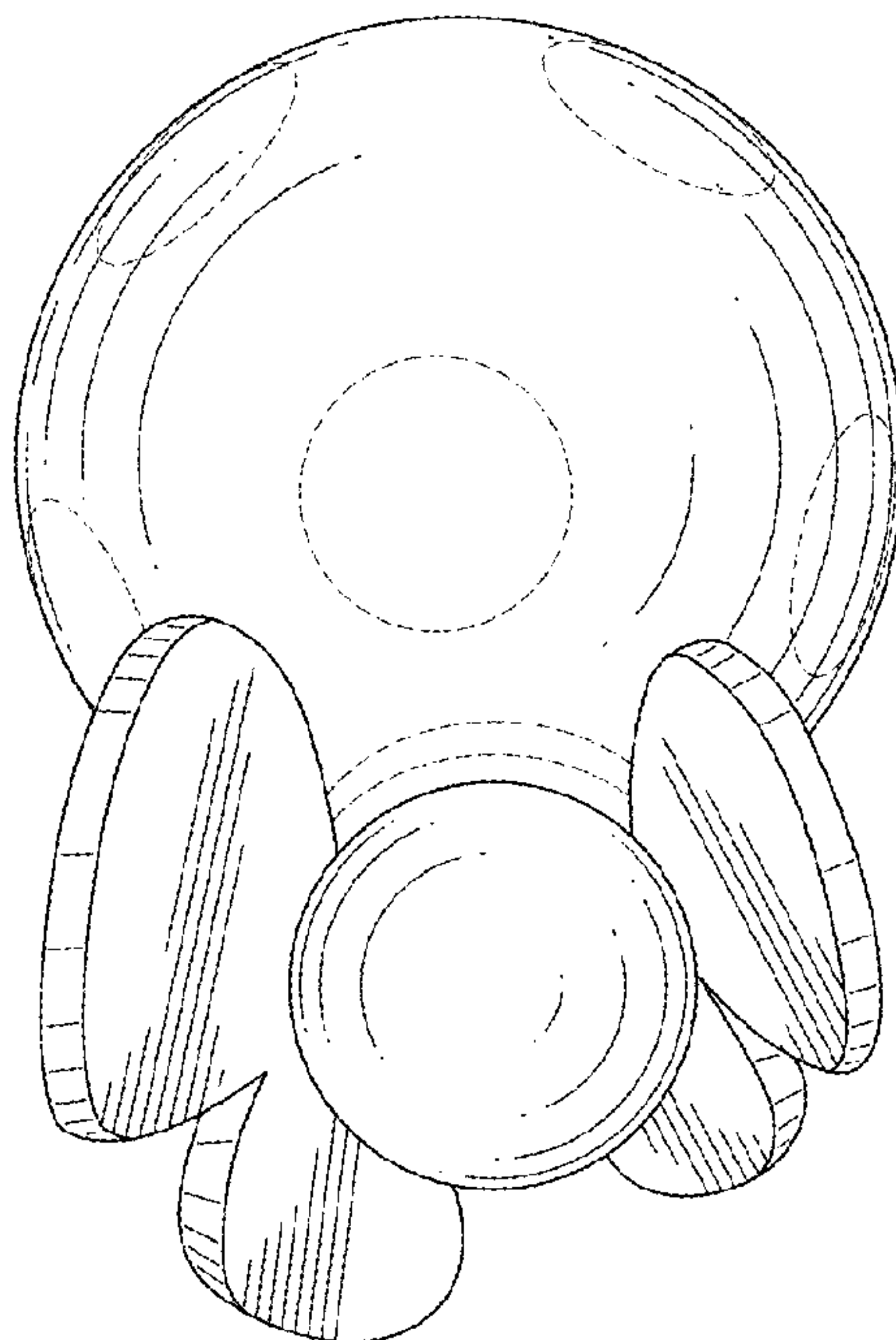


FIG. 20

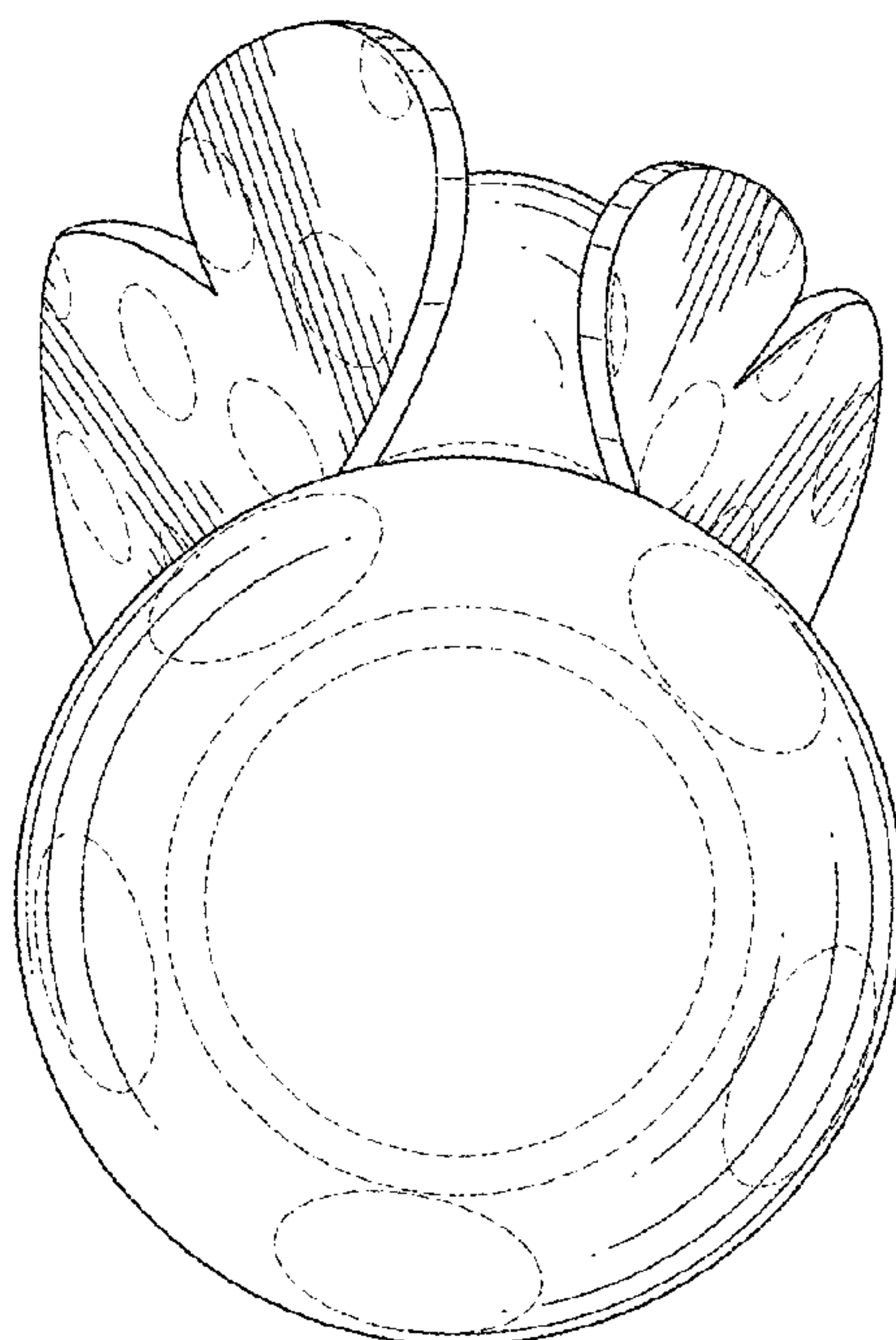


FIG. 21