



US00D712271S

(12) **United States Design Patent**  
**Neubauer**

(10) **Patent No.:** **US D712,271 S**

(45) **Date of Patent:** **\*\* Sep. 2, 2014**

(54) **TISSUE BOX**

(56) **References Cited**

(71) Applicant: **Koziol ideas for friends GmbH**,  
Erbach/Odenwald (DE)  
(72) Inventor: **Michael Neubauer**, Aschaffenburg (DE)  
(73) Assignee: **Koziol ideas for friends GmbH**,  
Erbach/Odenwald (DE)

U.S. PATENT DOCUMENTS

D101,559 S *	10/1936	Schuelke	.....	D7/300.1
D282,339 S *	1/1986	Wei	.....	D7/606
D313,312 S *	1/1991	Senitt	.....	D21/653
D321,222 S *	10/1991	Bryant	.....	D21/653
D350,711 S *	9/1994	Olson	.....	D21/653
5,785,179 A *	7/1998	Buczynski et al.	.....	D9/734
D408,673 S *	4/1999	Bear	.....	D21/653
D435,190 S *	12/2000	Kotowski	.....	D7/606
D460,301 S *	7/2002	Milliorn	.....	D9/734

(\*\*) Term: **14 Years**

\* cited by examiner

(21) Appl. No.: **29/448,604**

*Primary Examiner* — Sandra Morris

(22) Filed: **Mar. 13, 2013**

(74) *Attorney, Agent, or Firm* — Michael J. Striker

(30) **Foreign Application Priority Data**

(57) **CLAIM**

The ornamental design for a tissue box, as shown and described.

Sep. 20, 2012 (DE) ..... 40 2012 004 309.5

**DESCRIPTION**

(51) **LOC (10) Cl.** ..... **09-01**

FIG. 1 is a front perspective view of a tissue box showing my new design;

(52) **U.S. Cl.**

USPC ..... **D9/601**; D9/734; D9/432

FIG. 2 is a front view thereof;

(58) **Field of Classification Search**

USPC ..... D3/270–271.3; D9/600–602, 730, 734,  
D9/414, 418, 430–434; 206/457, 527;  
215/400; 220/890; 229/116.1–116.2;  
D7/514–520, 606, 613, 619.2, 623,  
D7/628; D21/653

FIG. 3 is a rear view thereof;

FIG. 4 is a left side view thereof;

FIG. 5 is a right side view thereof;

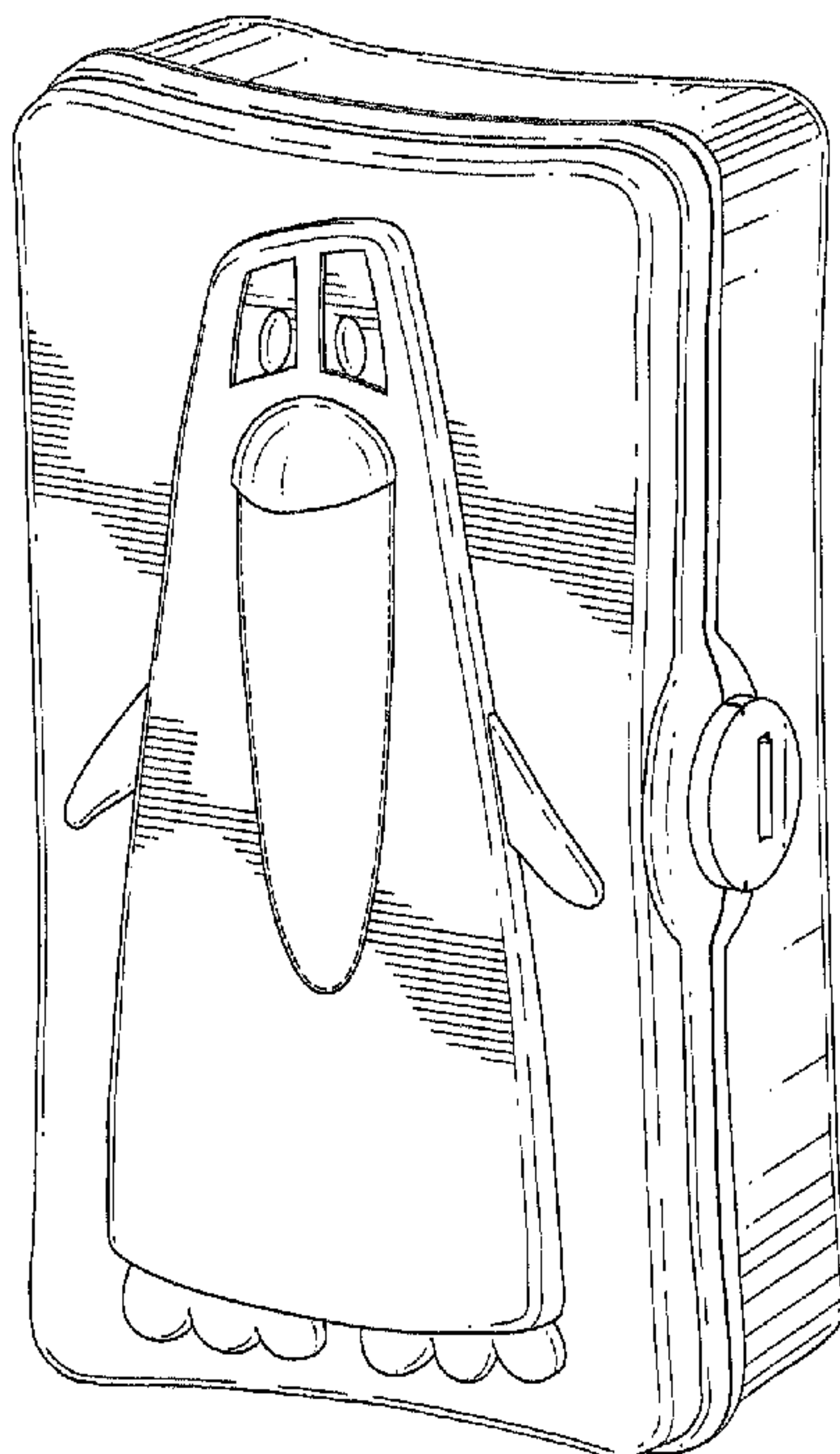
FIG. 6 is a top plan view thereof; and,

FIG. 7 is a bottom plan view thereof.

The broken line showing is for illustrative purposes only, and forms no part of the claimed design.

See application file for complete search history.

**1 Claim, 5 Drawing Sheets**



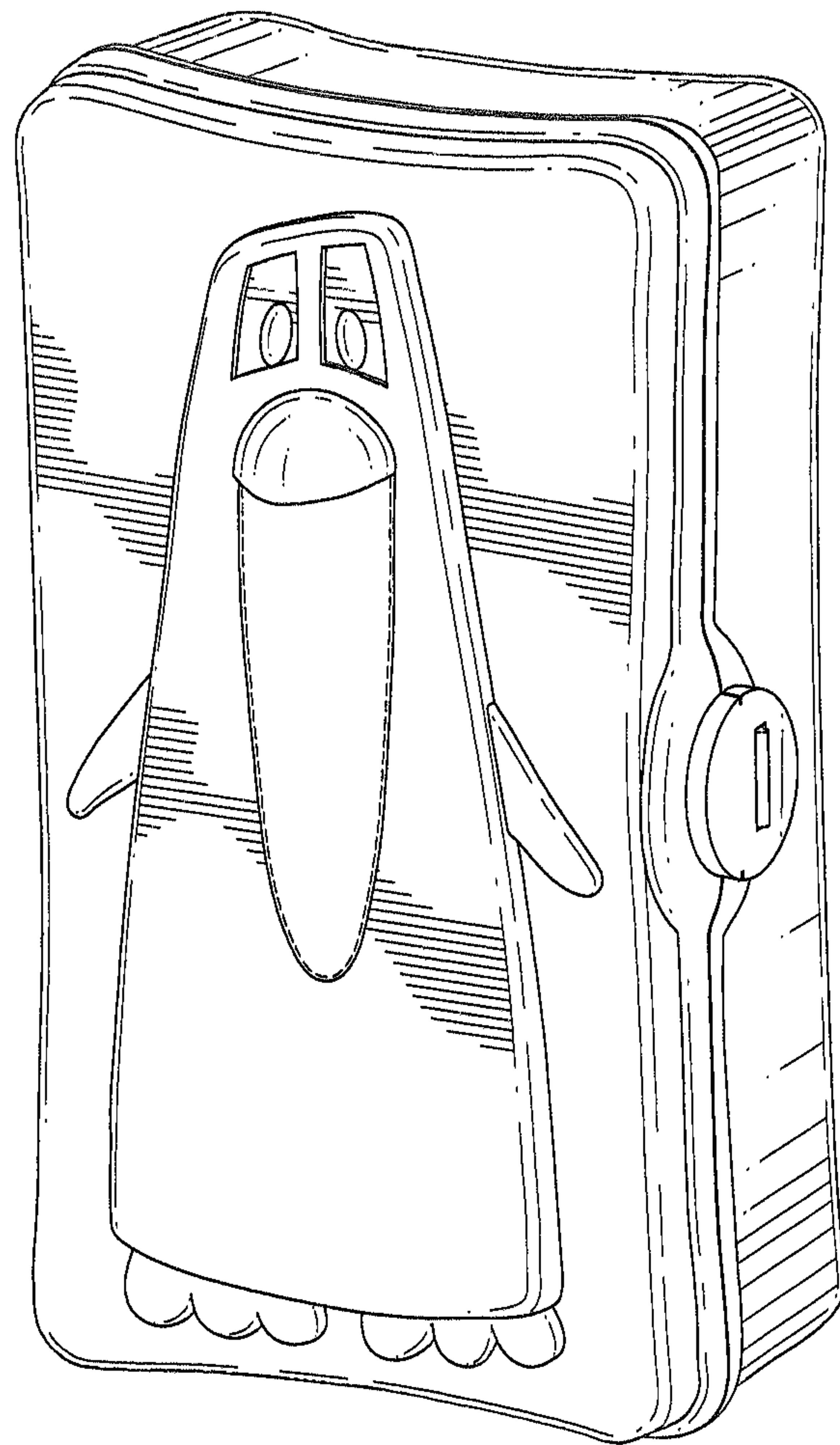


FIG. 1

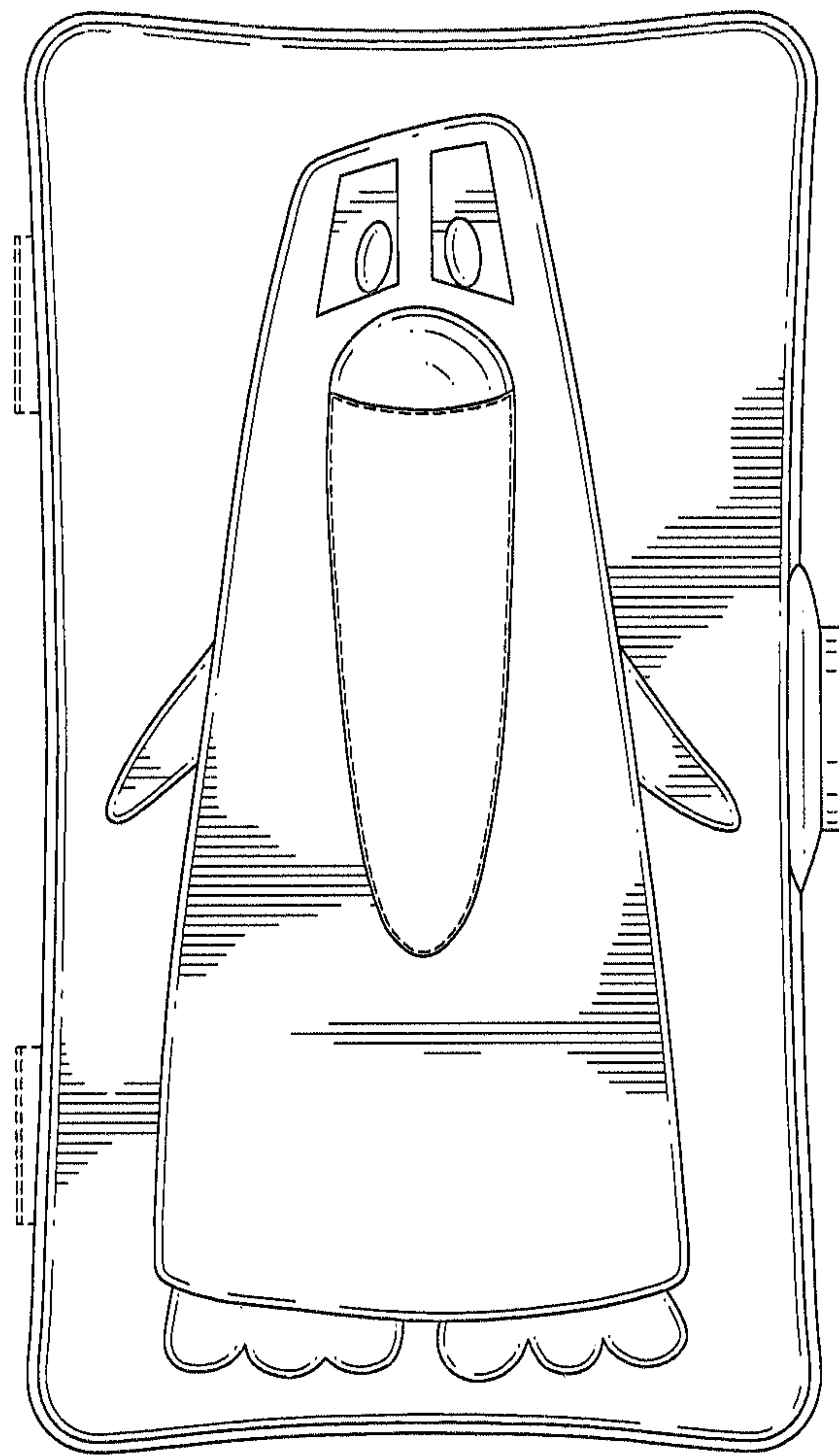


FIG. 2

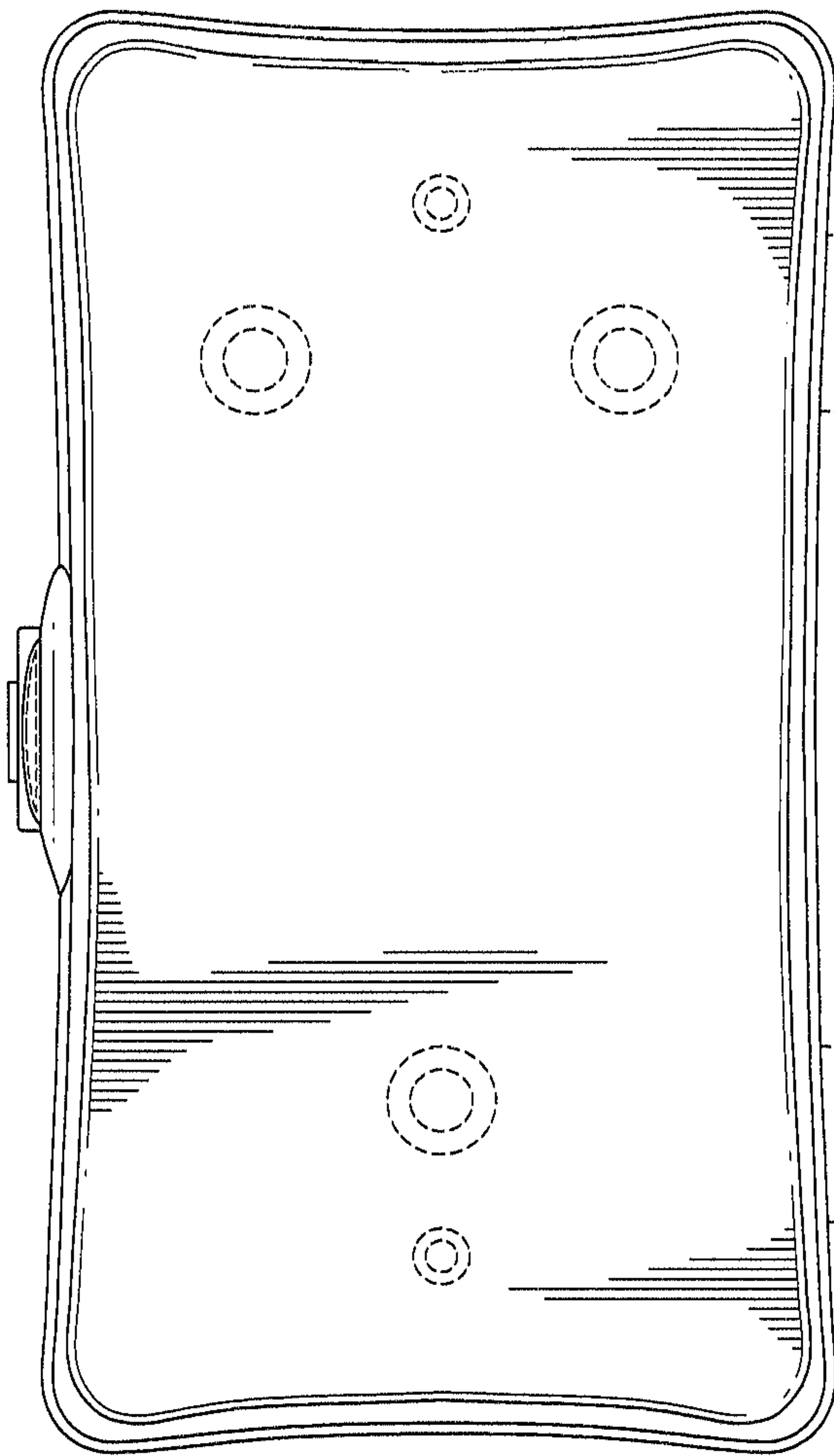


FIG. 3

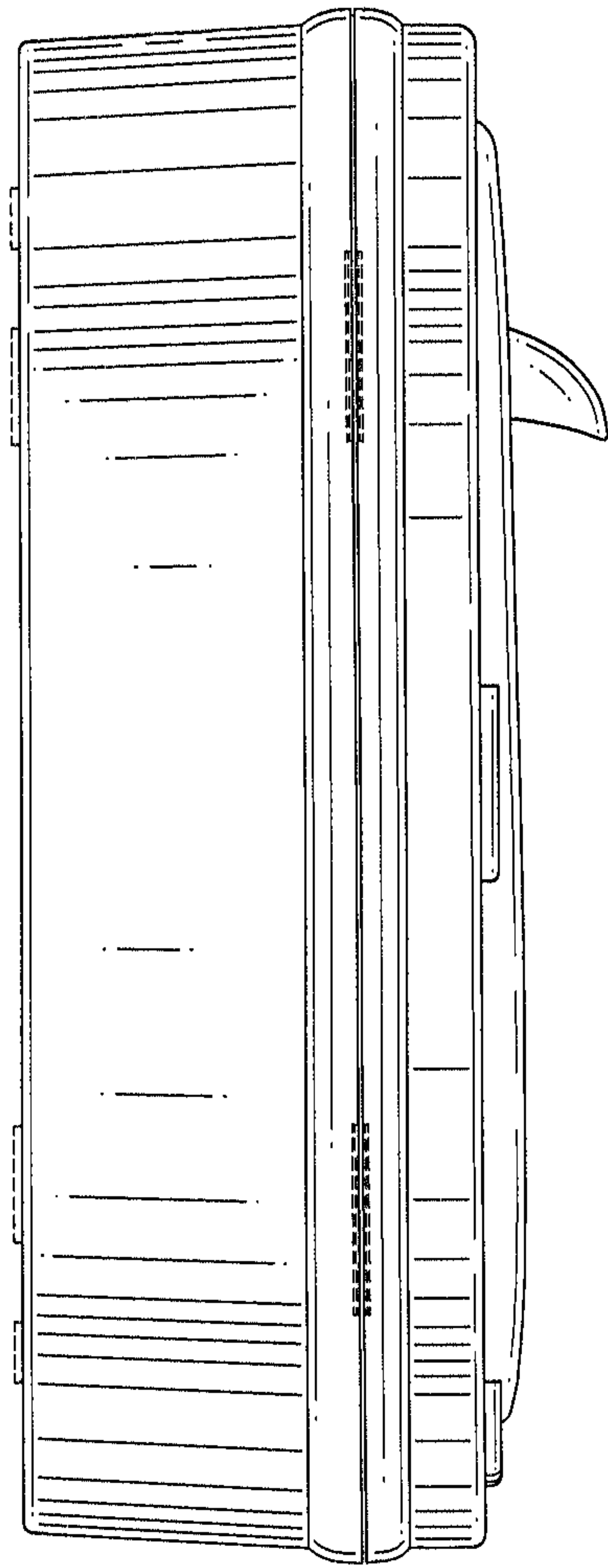


FIG. 4

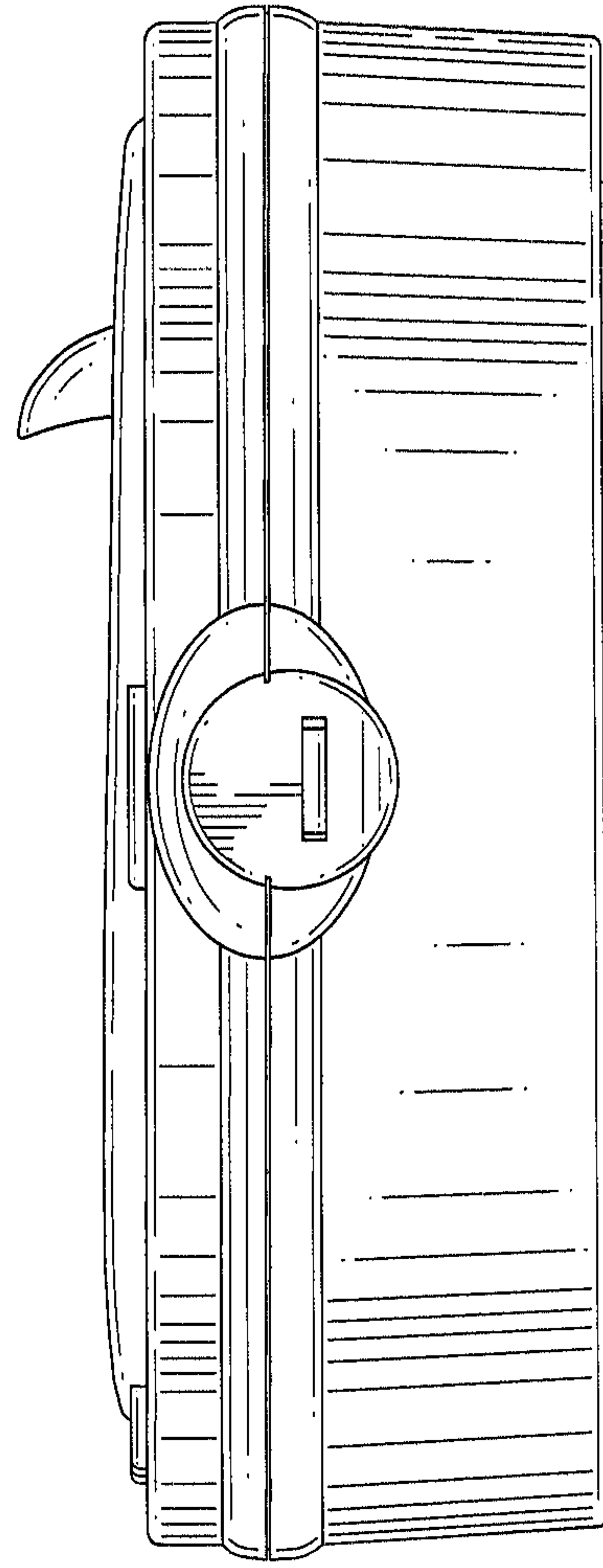


FIG. 5

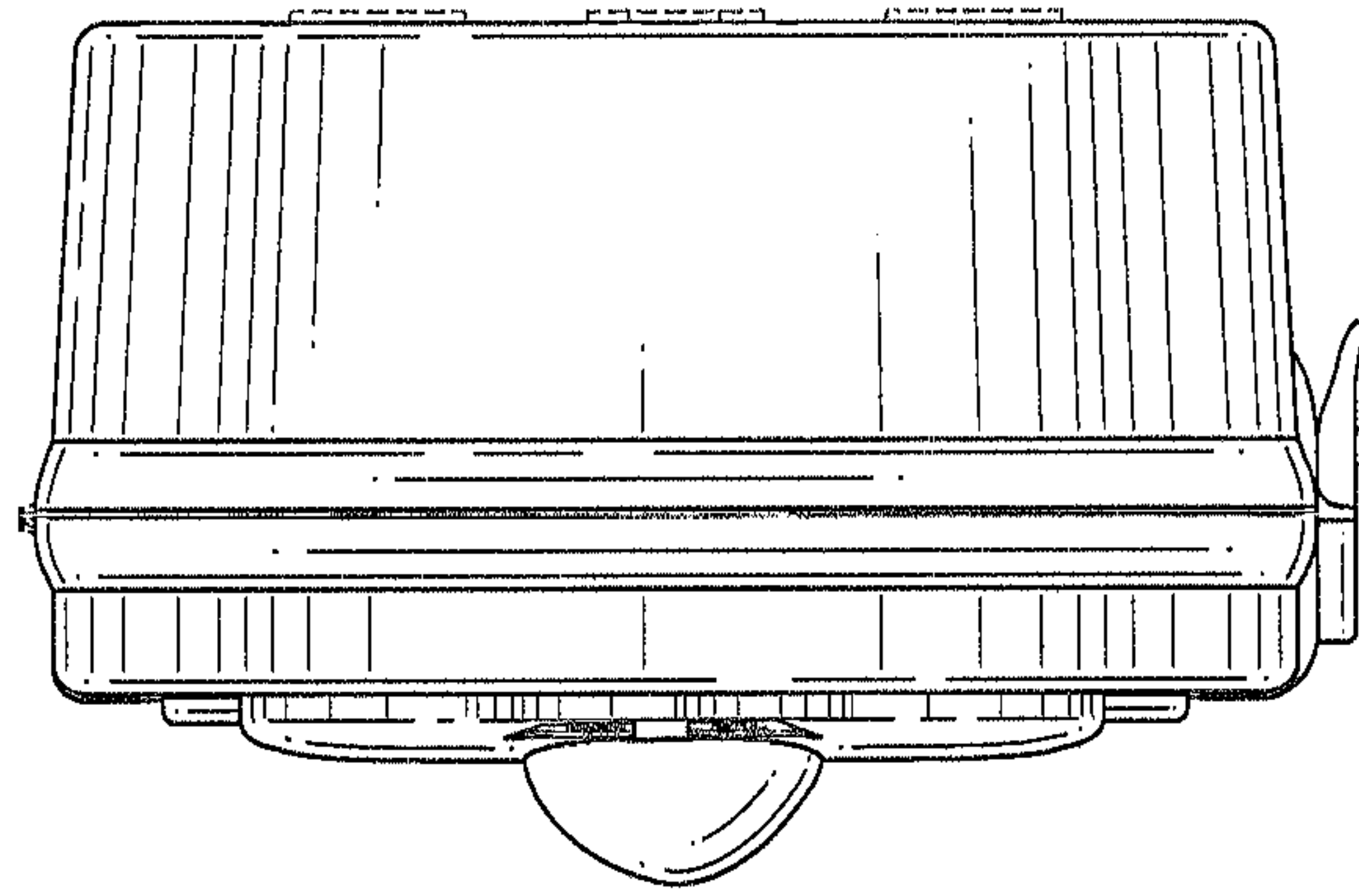


FIG. 6

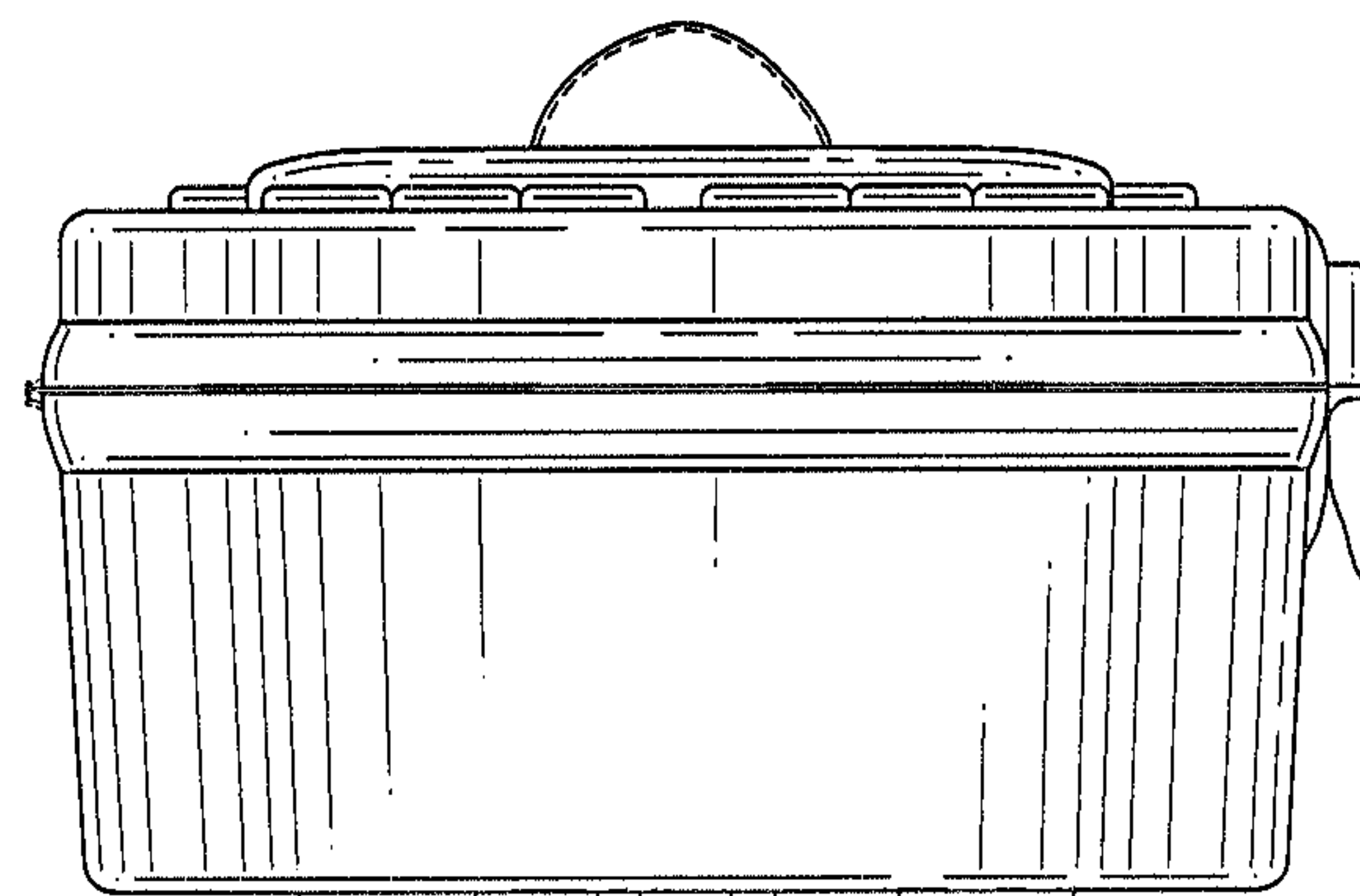


FIG. 7