



US00D712266S

(12) **United States Design Patent**  
**Römer et al.**

(10) **Patent No.:** **US D712,266 S**  
(45) **Date of Patent:** **\*\* Sep. 2, 2014**

(54) **CONTAINER CLOSURE**  
(71) Applicant: **Menshen Packaging USA, Inc.**,  
Waldwick, NJ (US)  
(72) Inventors: **Frank Römer**, Finnentrop (DE); **Volker Kölsche**, Schalksmühle (DE)  
(73) Assignee: **Menshen Packaging USA, Inc.**,  
Waldwick, NJ (US)

D432,916 S \* 10/2000 Drinkwater et al. .... D9/447  
D435,794 S 1/2001 Schmidt et al.  
D449,990 S 11/2001 Odet et al.  
D467,501 S 12/2002 Tacchella  
D529,338 S \* 10/2006 Poulson et al. .... D7/510  
D529,382 S 10/2006 Mineau  
D547,657 S 7/2007 Tacchella  
D575,986 S \* 9/2008 Cetera ..... D7/501  
D604,613 S \* 11/2009 Garboni ..... D9/454  
D670,559 S \* 11/2012 Webster ..... D9/453  
D684,055 S \* 6/2013 Kwon ..... D9/452  
D684,056 S \* 6/2013 Kwon ..... D9/452  
D684,058 S \* 6/2013 Kwon ..... D9/453  
2004/0050884 A1 \* 3/2004 Boggs et al. .... 222/520  
2009/0223963 A1 9/2009 Bisio

(\*\*) Term: **14 Years**  
(21) Appl. No.: **29/451,928**

\* cited by examiner

(22) Filed: **Apr. 10, 2013**  
(51) **LOC (10) Cl.** ..... **09-07**  
(52) **U.S. Cl.**  
USPC ..... **D9/454**  
(58) **Field of Classification Search**  
CPC ..... B65D 41/00; B65D 41/3404  
USPC ..... D9/434, 435, 439, 440, 443, 446, 447,  
D9/449, 453, 454, 417; D7/396.2, 392.1;  
215/235, 236, 307, 311;  
220/254.2-254.5, 259.3, 26, 715, 837;  
222/212, 484, 556  
See application file for complete search history.

*Primary Examiner* — Robert M Spear

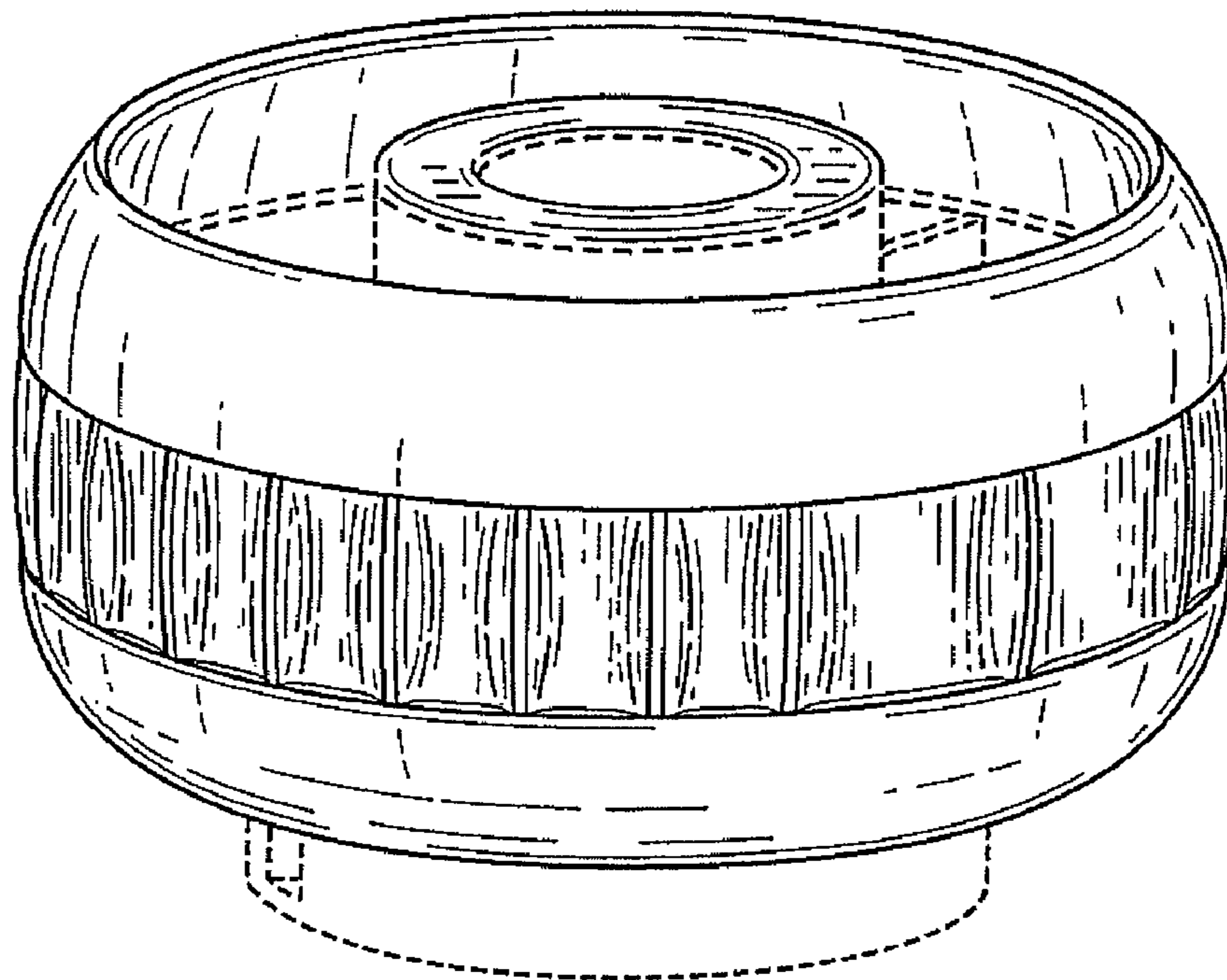
(57) **CLAIM**  
We claim the ornamental design for a container closure, as shown and described.

(56) **References Cited**  
U.S. PATENT DOCUMENTS  
D287,103 S \* 12/1986 Thieffry ..... D9/503  
D409,491 S \* 5/1999 Ullrich et al. .... D9/453  
D420,744 S \* 2/2000 Ostgaard et al. .... D24/224

**DESCRIPTION**

FIG. 1 is an upper perspective view of the container closure showing my new design;  
FIG. 2 is a perspective view thereof, showing the inverted closure of FIG. 1;  
FIG. 3 is a side elevation view thereof;  
FIG. 4 is a side elevation view of FIG. 3 rotated 90 degrees;  
FIG. 5 is a bottom plan view thereof; and,  
FIG. 6 is a top plan view thereof.  
The broken lines in the drawings represent unclaimed environmental subject matter and form no part of the claim.

**1 Claim, 3 Drawing Sheets**



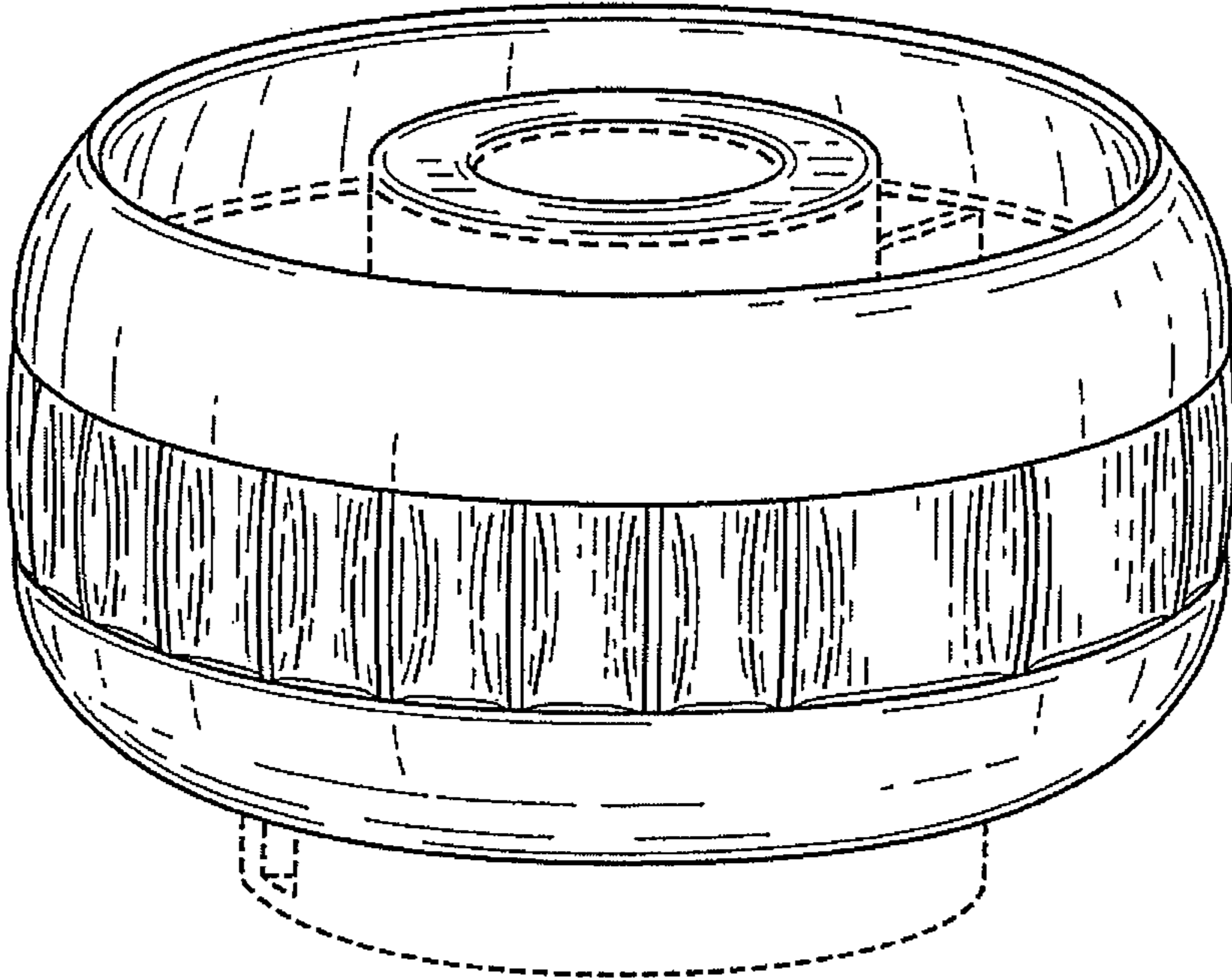


FIG. 1

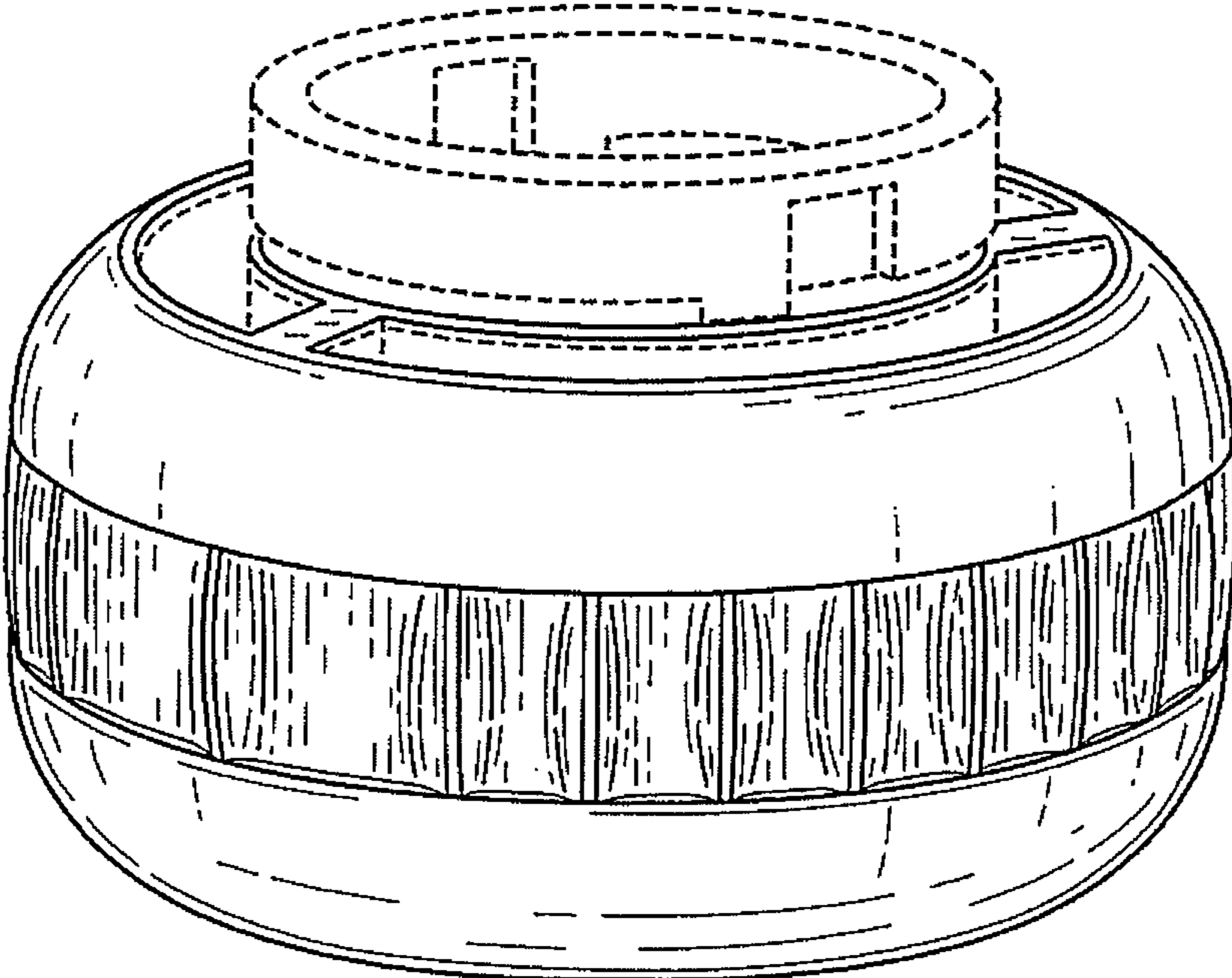


FIG. 2

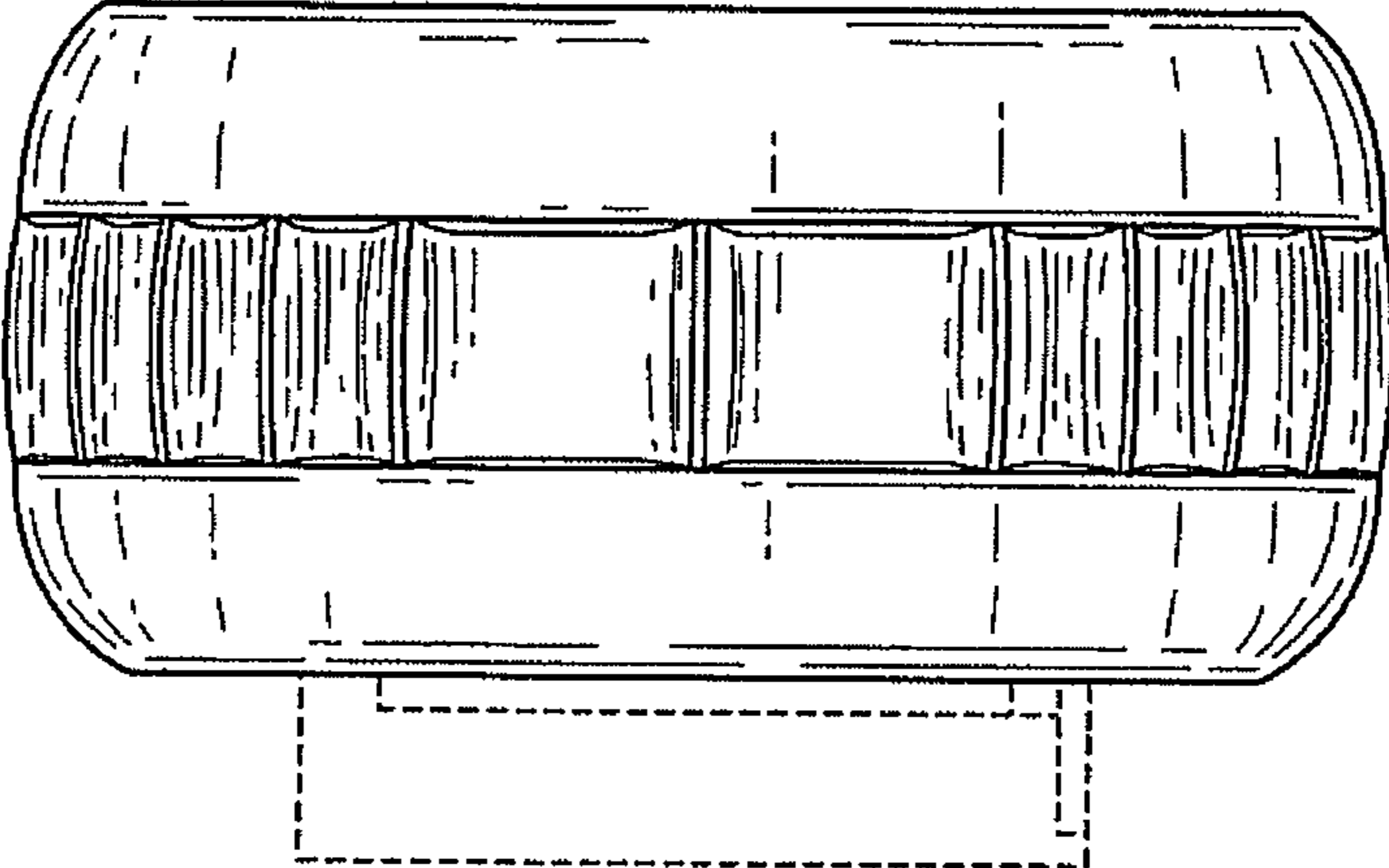


FIG. 3

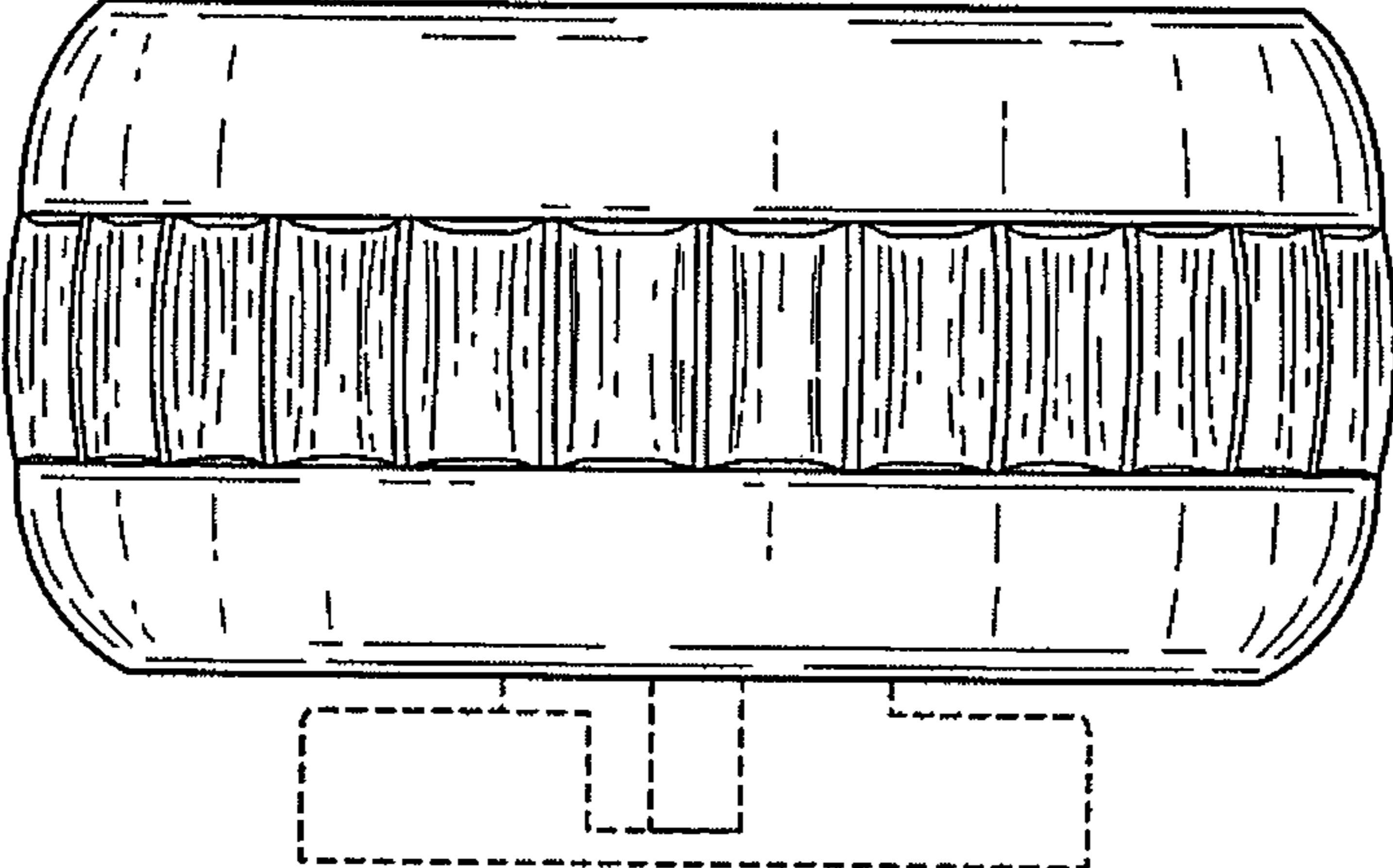


FIG. 4

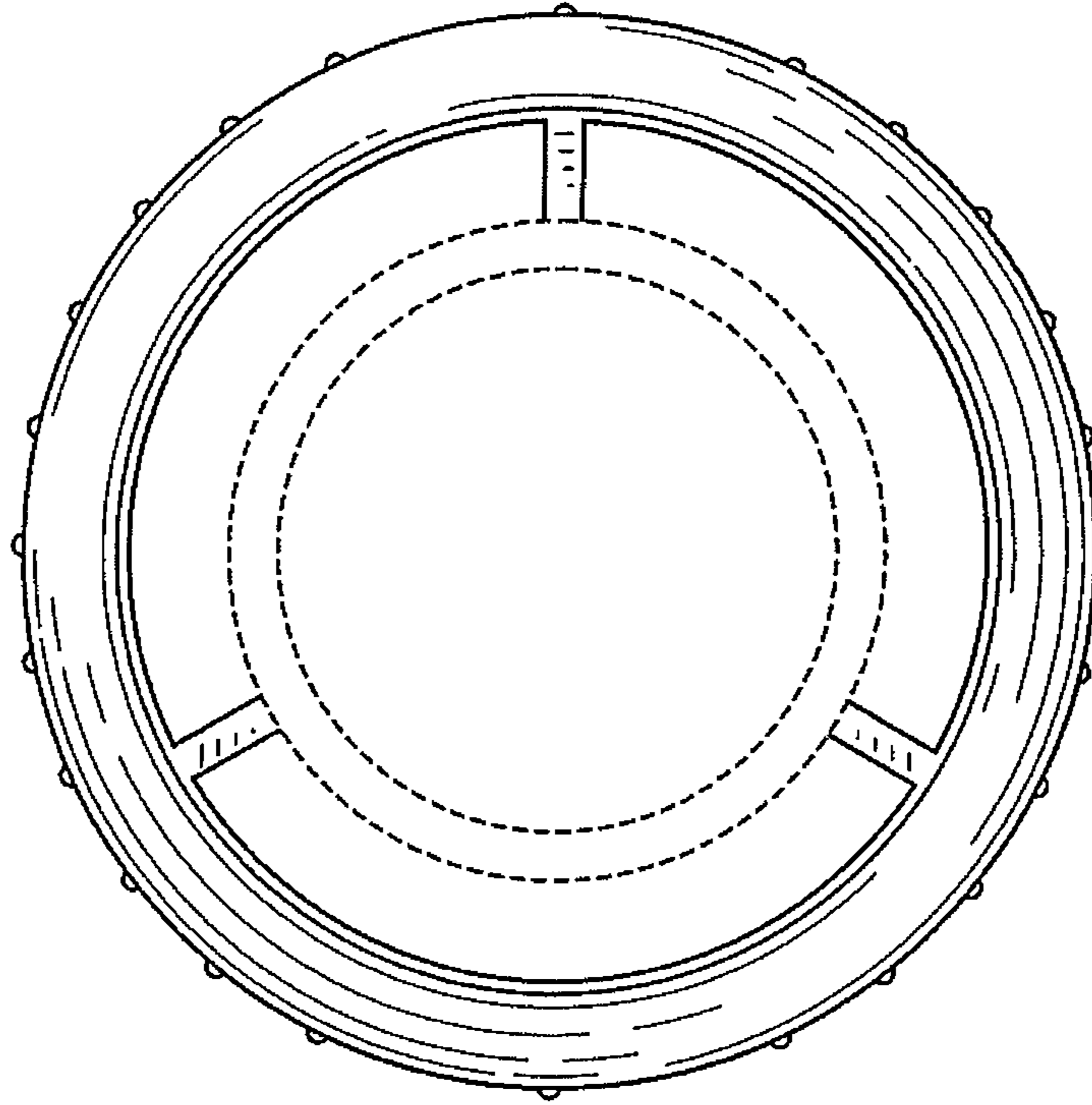


FIG. 5

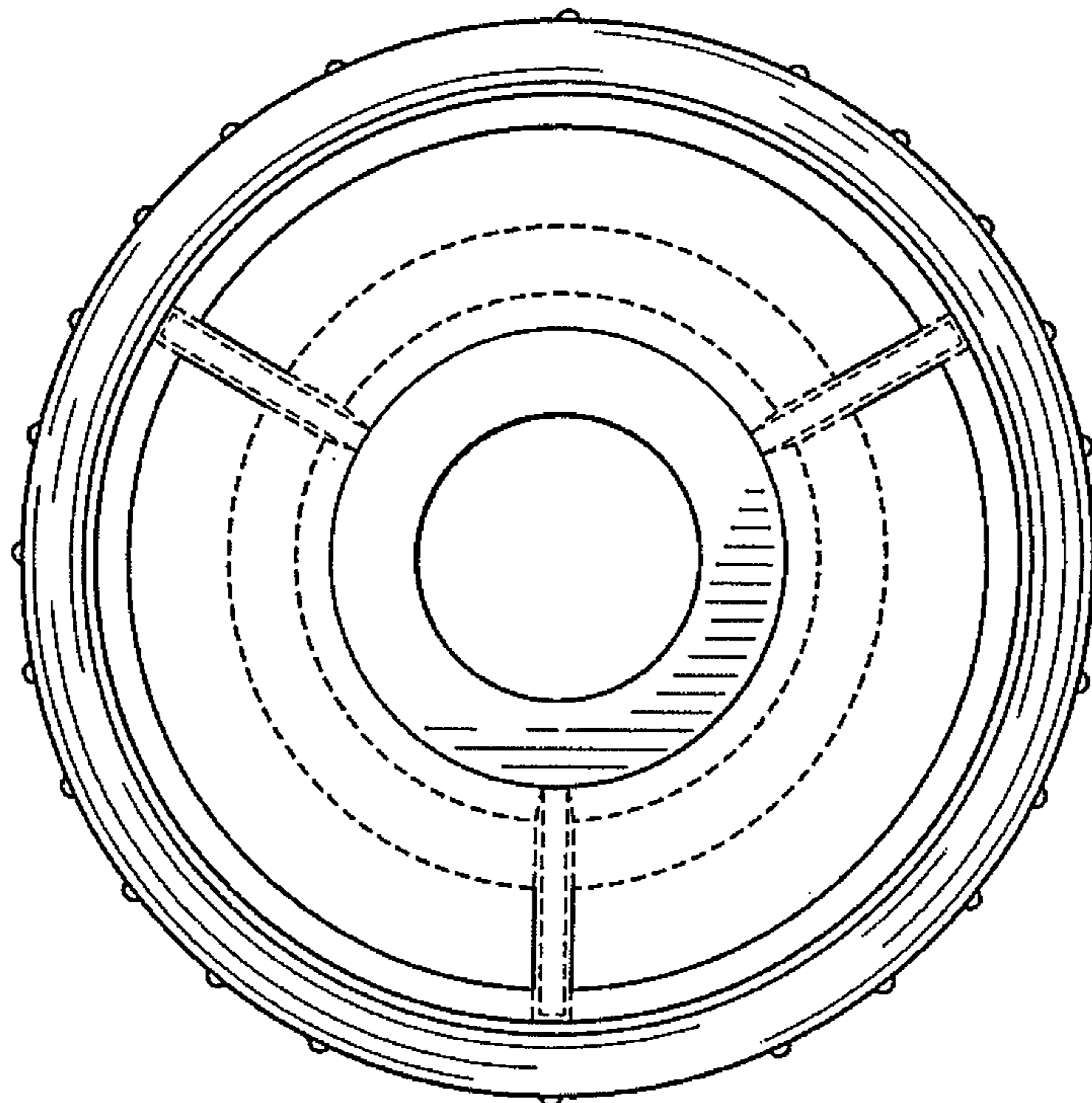


FIG. 6