



US00D712258S

(12) **United States Design Patent**
Grattagliano

(10) **Patent No.:** **US D712,258 S**

(45) **Date of Patent:** **** Sep. 2, 2014**

(54) **RESEALABLE CAP**

(75) **Inventor:** **Reynald Vito Grattagliano**, Ft. Lauderdale, FL (US)

(73) **Assignee:** **Cote d'Azur Holding Ltd**, Grand Cayman (KY)

(**) **Term:** **14 Years**

(21) **Appl. No.:** **29/411,496**

(22) **Filed:** **Mar. 19, 2012**

(51) **LOC (10) CI.** **09-07**

(52) **U.S. CI.**
USPC **D9/449; D9/446**

(58) **Field of Classification Search**
USPC D9/434, 435, 438, 439, 445, 447, 449, D9/450, 454; D7/392.1, 392, 510, 511, D7/638; D3/323; 220/254.1, 257.2, 258.1, 220/270, 271, 375, 575, 715, 781; 215/254
See application file for complete search history.

(56) **References Cited**

U.S. PATENT DOCUMENTS

4,284,200	A *	8/1981	Bush et al.	215/215
4,449,640	A *	5/1984	Finkelstein	220/270
D286,750	S *	11/1986	Hamilton et al.	D9/560
D318,777	S *	8/1991	Freese	D7/392
D364,810	S *	12/1995	Meisner	D9/446
D424,440	S *	5/2000	Wilkinson et al.	D9/446
D469,353	S *	1/2003	Sturk	D9/443
D475,925	S *	6/2003	Sturk	D9/454
D522,860	S *	6/2006	LaFortune	D9/449
D612,236	S *	3/2010	Sturk	D9/446

7,954,659	B2 *	6/2011	Zuares et al.	220/254.7
8,235,236	B2 *	8/2012	Zuares et al.	220/254.7
2004/0256386	A1 *	12/2004	LaFortune	220/254.1

OTHER PUBLICATIONS

Scottish Spirits Imports, Inc.: "Now Scottish Spirits in a Can Comes with a Re-sealable Lid". Found online Dec. 19, 2013 at <http://www.scottishspirits.com/default.html>.*

* cited by examiner

Primary Examiner — Robert M Spear

(74) *Attorney, Agent, or Firm* — Malloy & Malloy, P.L.

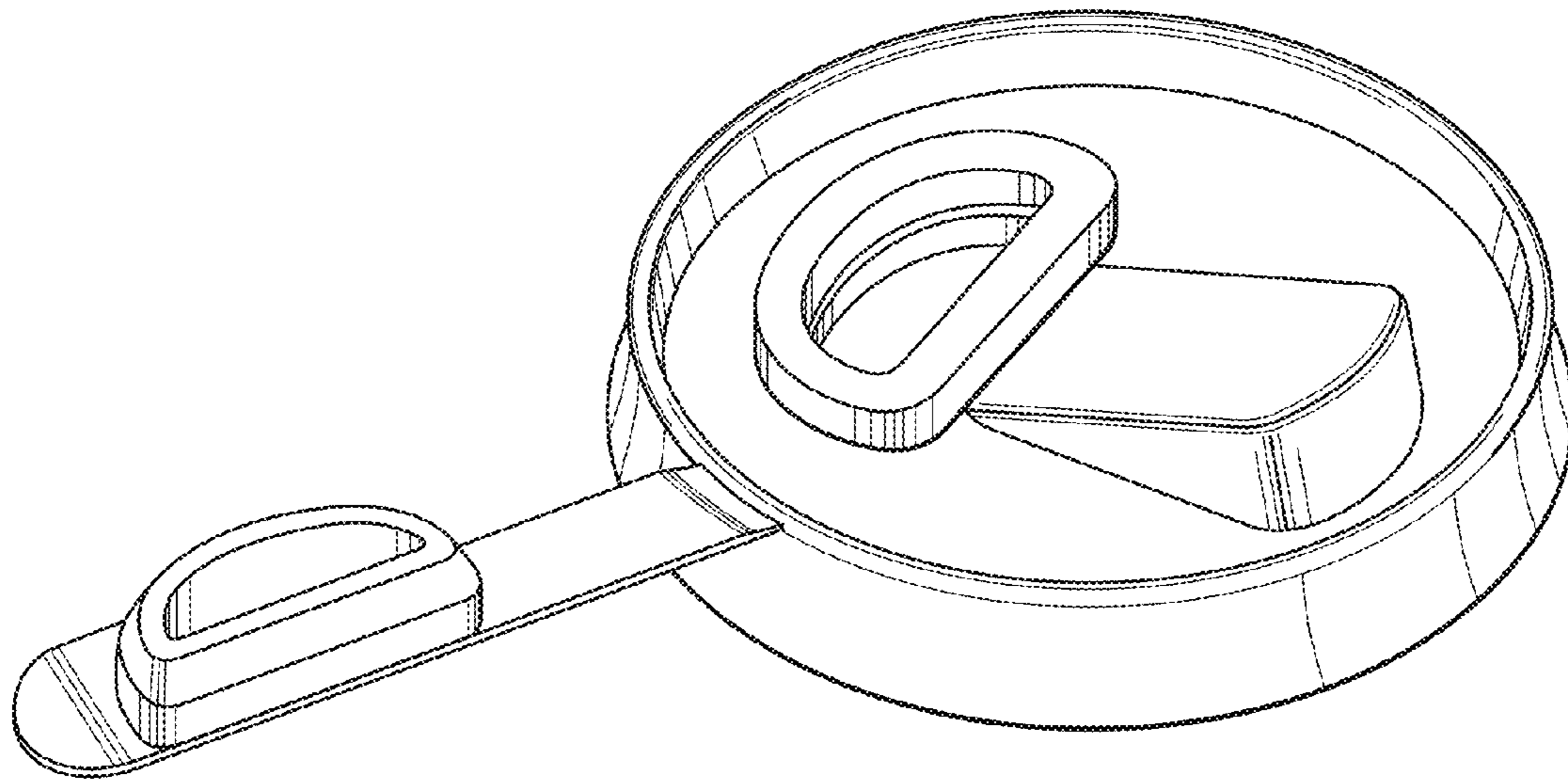
(57) **CLAIM**

The ornamental design for a resealable cap, as shown and described.

DESCRIPTION

FIG. 1 is a front perspective view illustrating my design for a resealable cap;
FIG. 2 is a top plan view thereof;
FIG. 3 is a left side view thereof;
FIG. 4 is a bottom side view thereof;
FIG. 5 is a right side view thereof;
FIG. 6 is a top side view thereof;
FIG. 7 is a bottom plan view thereof;
FIG. 8 is a cross-sectional side view thereof;
FIG. 9 is a side view thereof illustrating an open orientation;
FIG. 10 is a bottom perspective view thereof illustrating an open orientation; and,
FIG. 11 is a top perspective view thereof illustrating an open orientation.

1 Claim, 8 Drawing Sheets



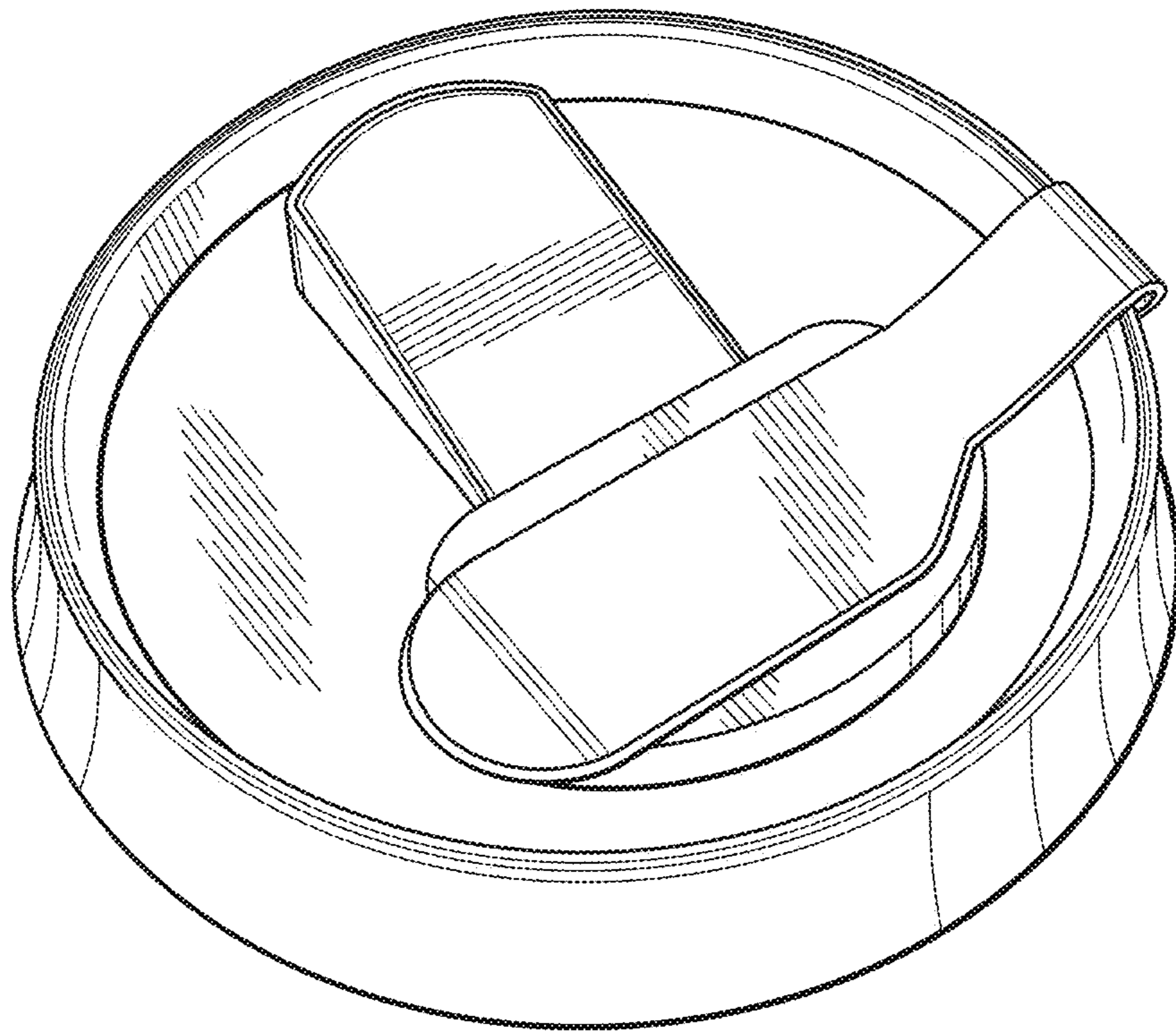


FIG. 1

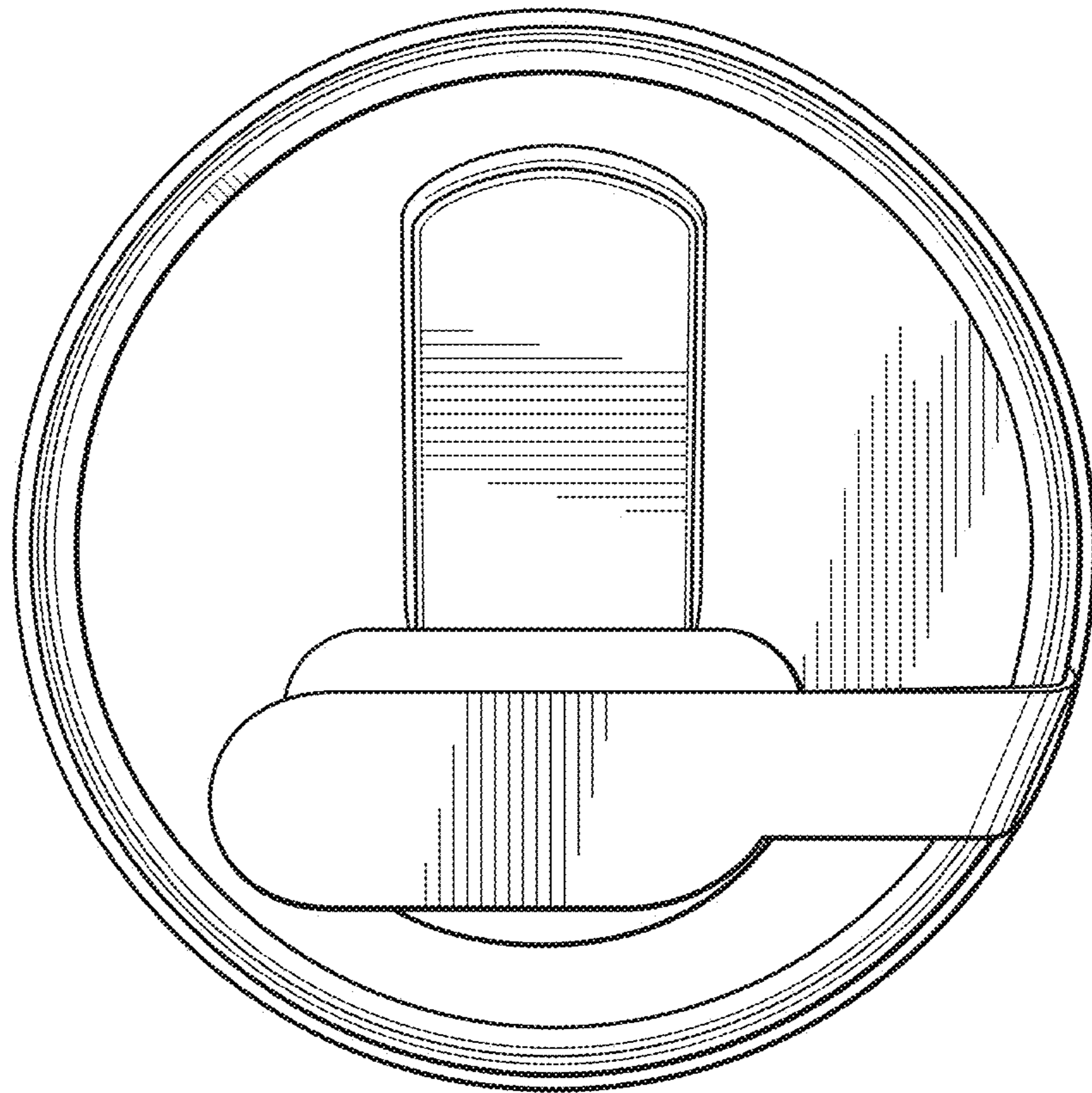


FIG. 2

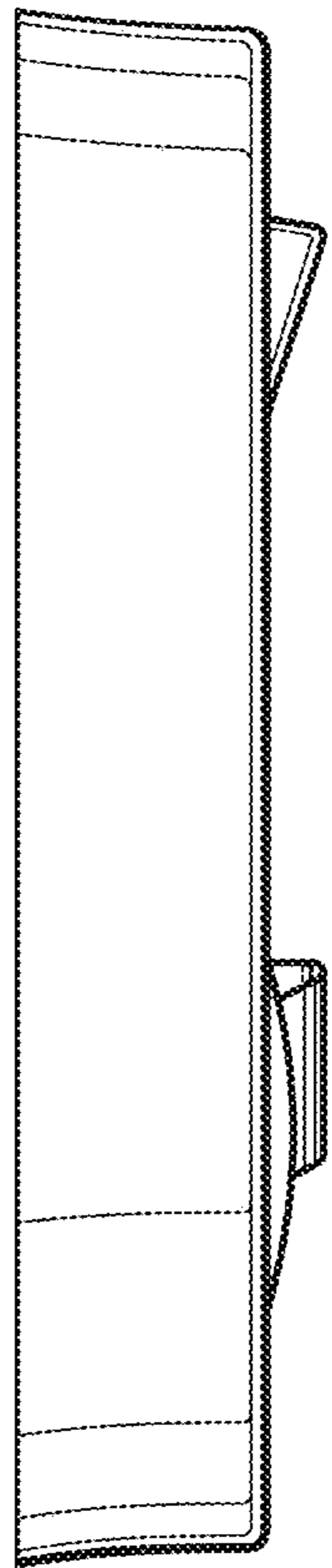


FIG. 3

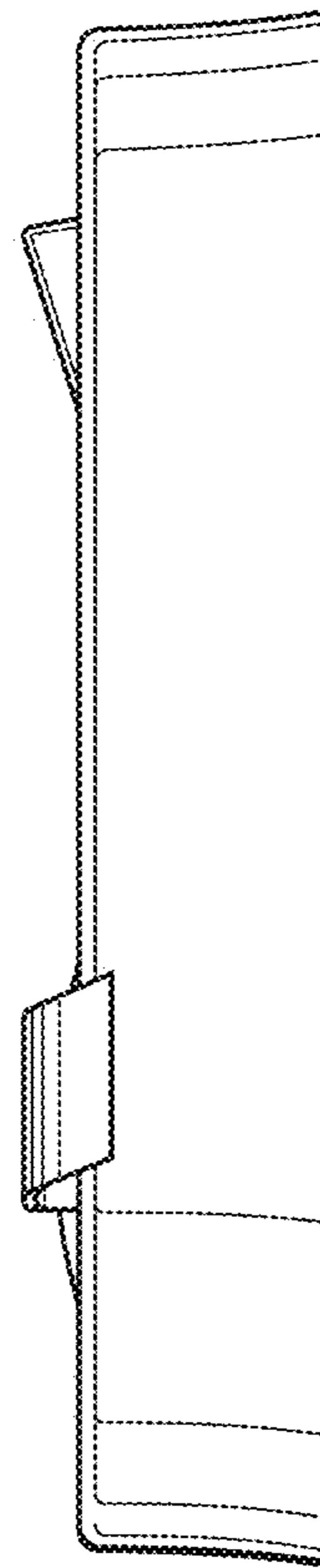


FIG. 5

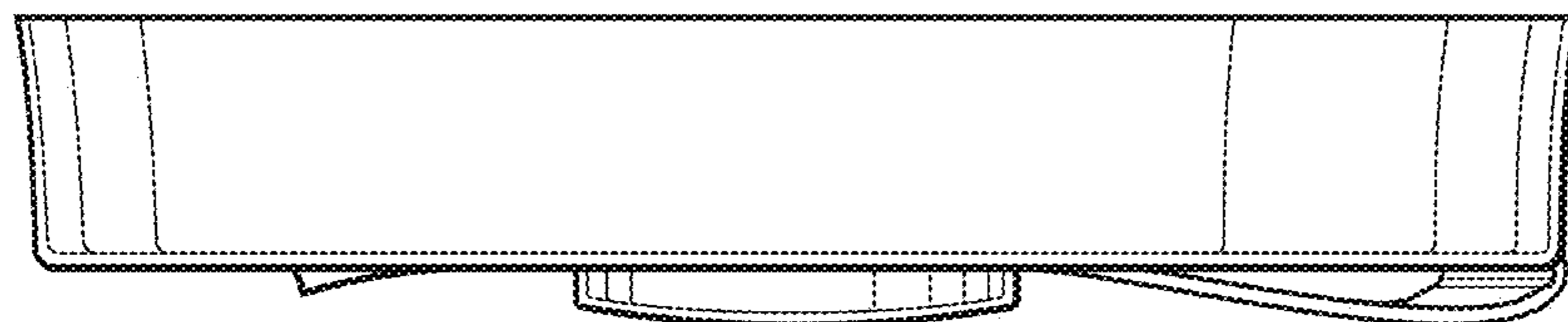


FIG. 4

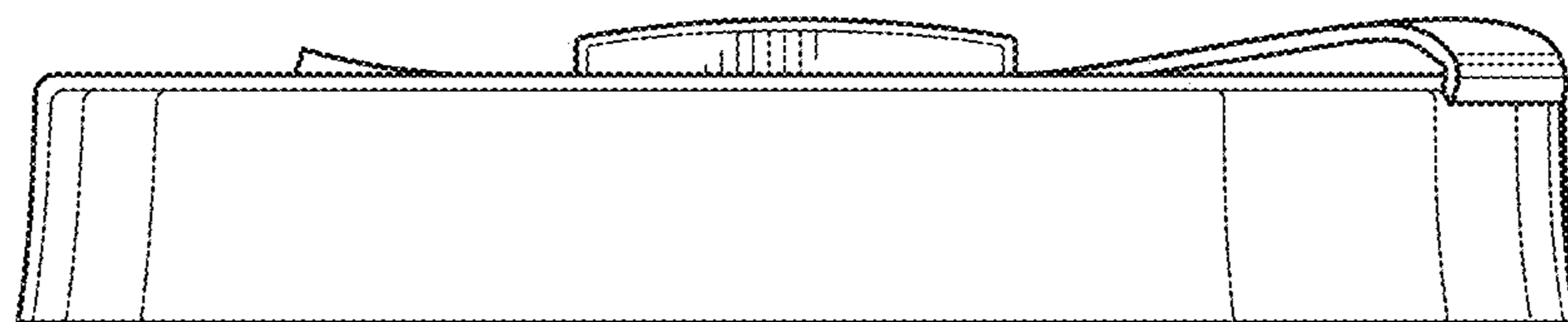


FIG. 6

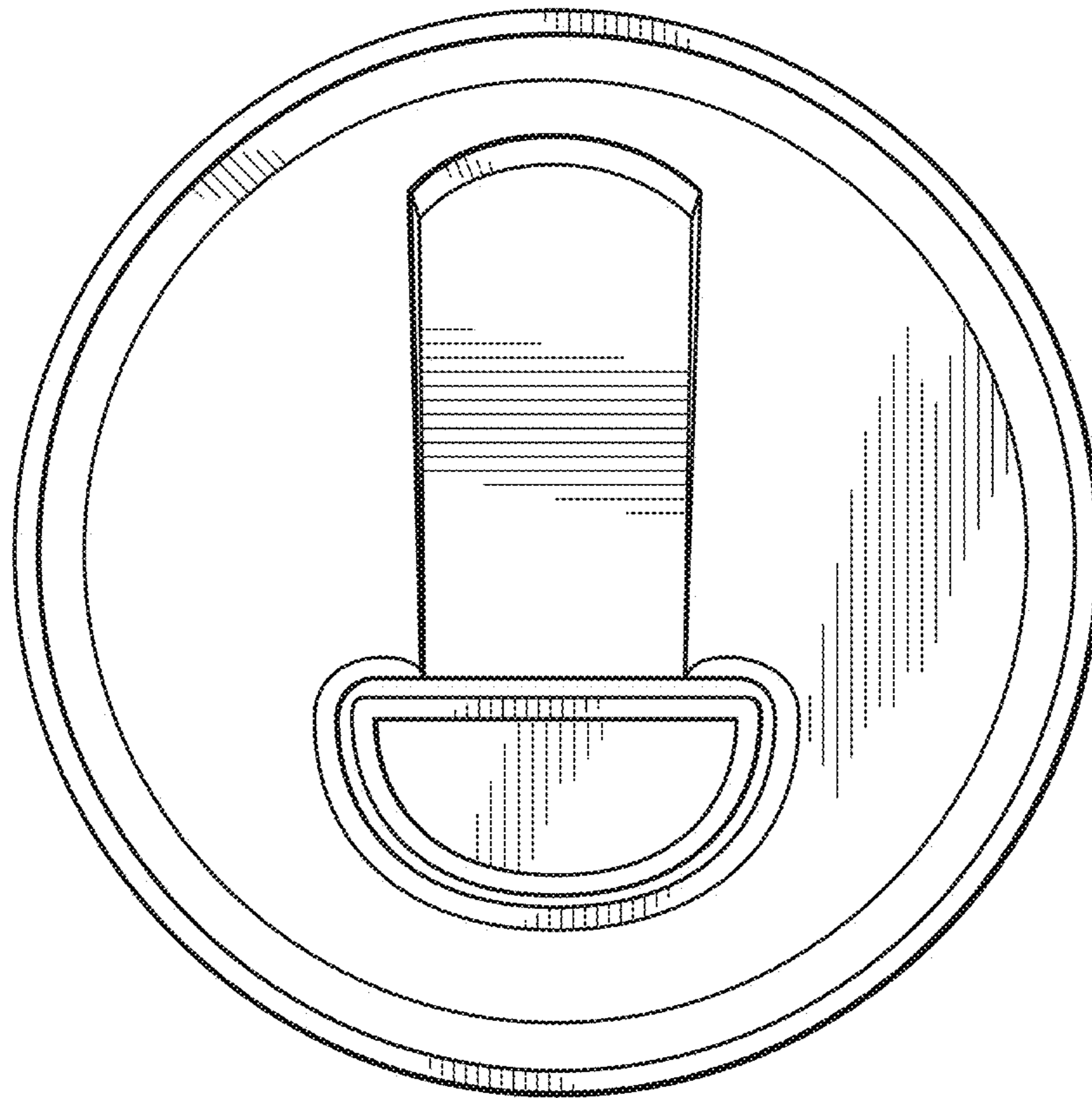


FIG. 7

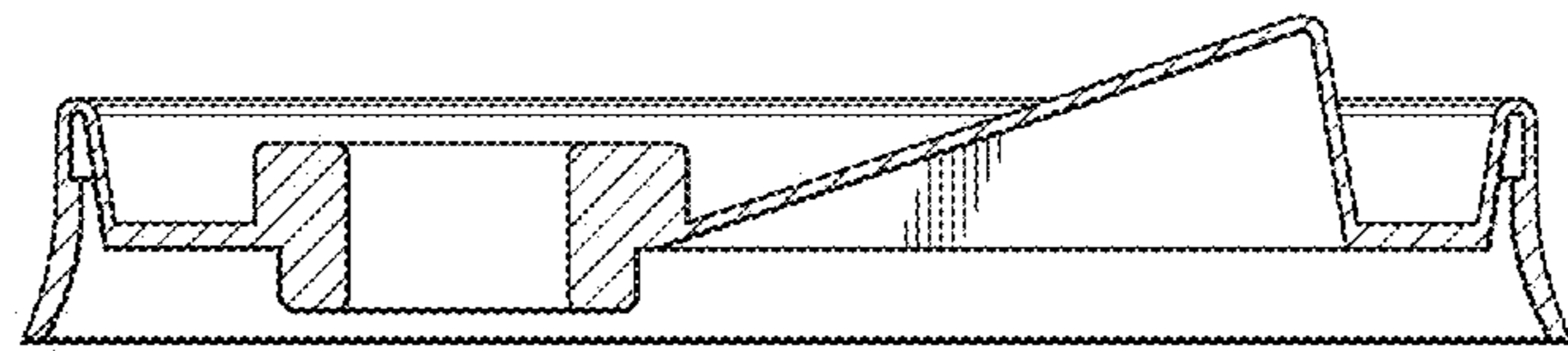


FIG. 8

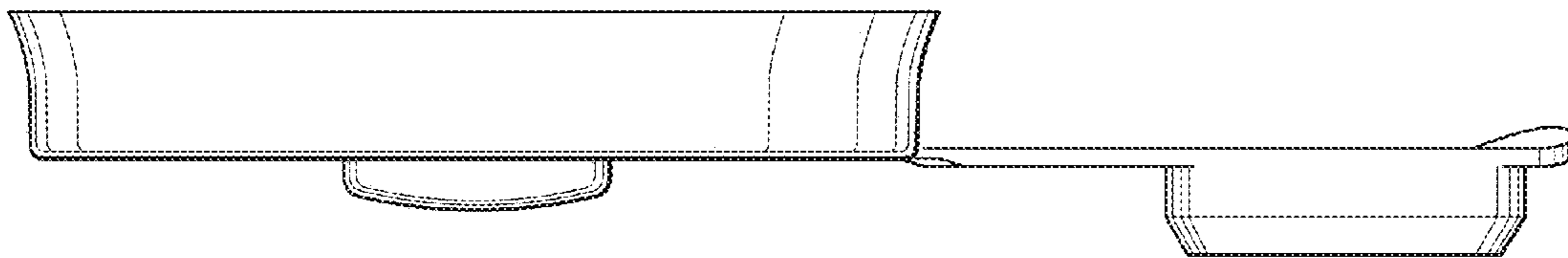


FIG. 9

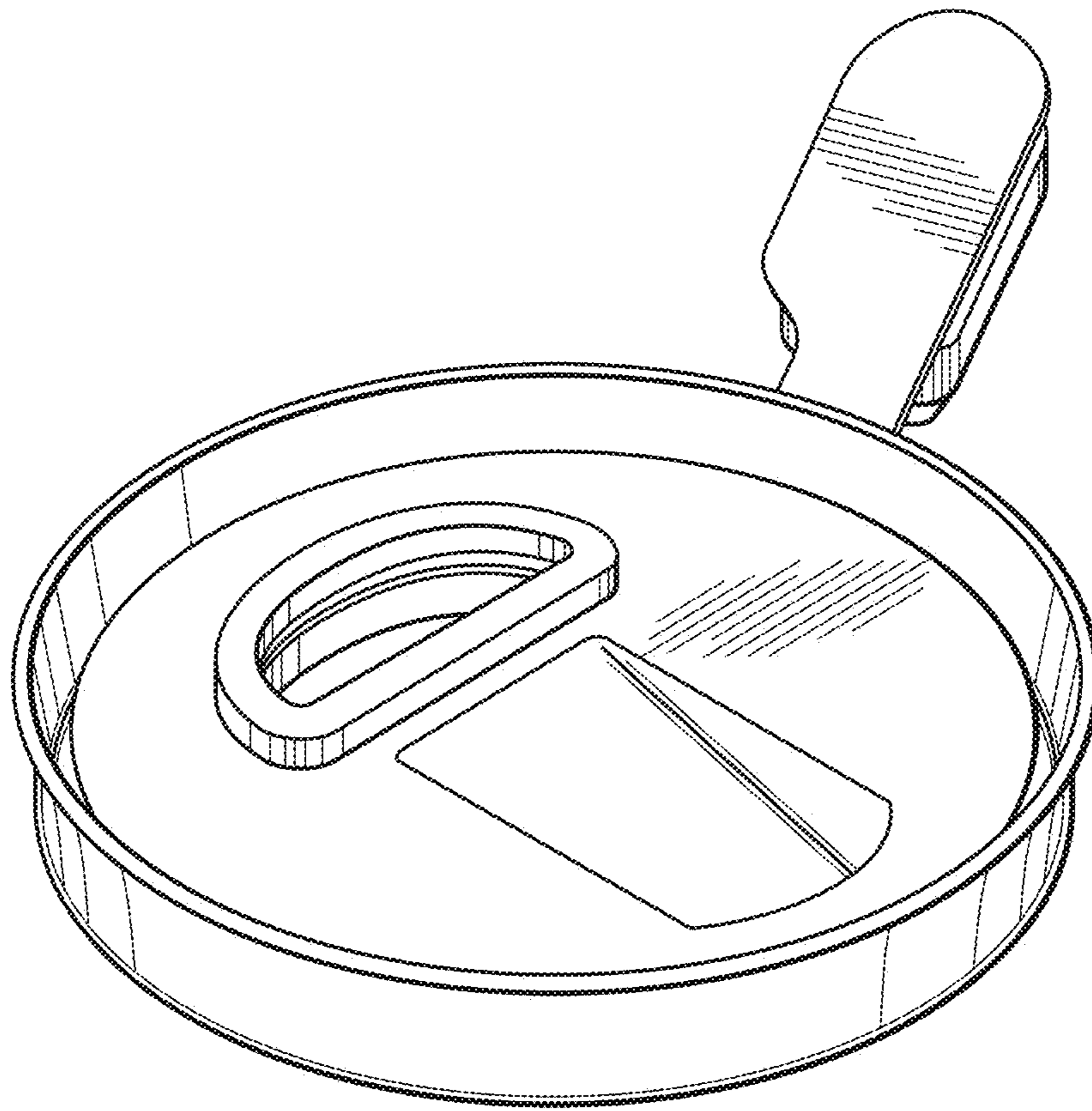


FIG. 10

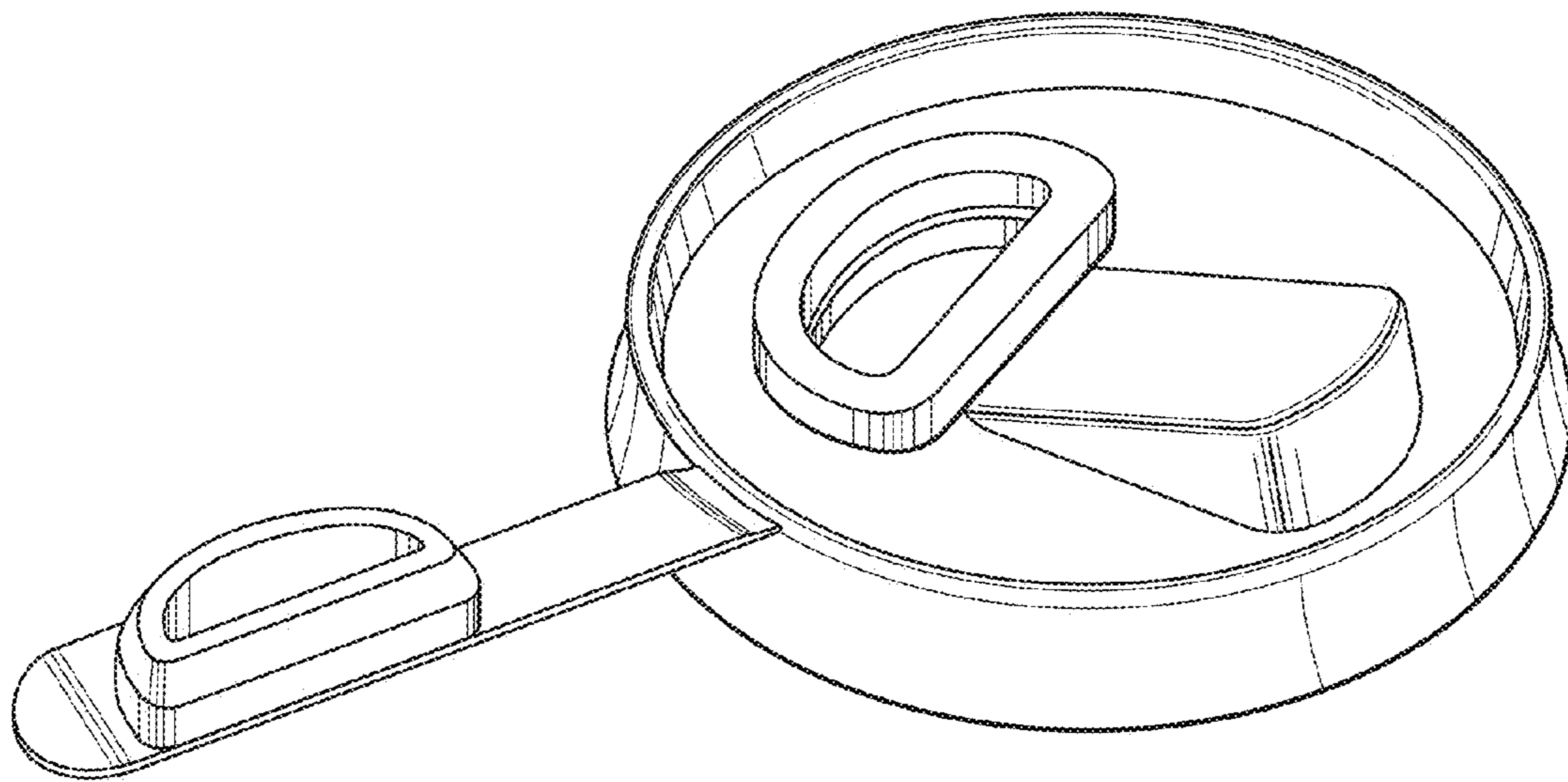


FIG. 11