



US00D712253S

(12) **United States Design Patent**
Hughes et al.

(10) **Patent No.:** **US D712,253 S**
(45) **Date of Patent:** **** Sep. 2, 2014**

(54) **CAP FOR COSMETIC AND FRAGRANCE BOTTLES**

(71) Applicant: **Mary Kay Inc.**, Dallas, TX (US)

(72) Inventors: **Magdalena Hughes**, Frisco, TX (US);
Ana Maria Urrea, Naucalpan (MX)

(73) Assignee: **Mary Kay Inc.**, Dallas, TX (US)

(**) Term: **14 Years**

(21) Appl. No.: **29/453,065**

(22) Filed: **Apr. 24, 2013**

(51) **LOC (10) Cl.** **09-07**

(52) **U.S. Cl.**
USPC **D9/435**

(58) **Field of Classification Search**
USPC D9/435, 439, 441, 451, 452, 502, 503,
D9/541, 542, 544, 545, 557, 559, 560, 565,
D9/567, 573, 574, 575, 651, 694; D7/598;
D8/310; D28/91.1, 5; 215/283, 284,
215/285, 355, 382; 220/660, 662, 669;
D11/89

See application file for complete search history.

(56) **References Cited**

U.S. PATENT DOCUMENTS

D89,141 S *	1/1933	Wilson	D9/559
D106,370 S	10/1937	Pancoast	D9/563
D148,899 S	3/1948	Yaeger	D28/91.1
D207,802 S	5/1967	Pree	D7/300
D277,455 S *	2/1985	Tordjman	D9/546
D294,116 S	2/1988	De Mourgues	D9/544
D308,940 S	7/1990	Dinand	D9/544
D309,567 S	7/1990	Desgrippes	D9/520
D328,170 S *	7/1992	Juergens	D34/11
D333,269 S *	2/1993	Albright et al.	D9/544

D333,425 S	2/1993	Boussiquet	D9/562
D365,991 S	1/1996	Varlet	D9/544
D372,676 S	8/1996	Desgrippes	D9/550
D381,275 S	7/1997	Lecoule	D9/572
D382,486 S *	8/1997	Heinz	D9/546
D401,158 S	11/1998	Bakic	D9/574
D419,073 S *	1/2000	Jauffret	D9/520
D419,888 S	2/2000	Ackerman	D9/546
D420,596 S	2/2000	Maddy	D9/560
D421,906 S *	3/2000	Jauffret	D9/435
D422,509 S	4/2000	Luzzi et al.	D9/575
D442,114 S *	5/2001	Greeff	D11/90
D459,660 S	7/2002	Burger	D9/560
D463,315 S *	9/2002	Greeff	D11/90

(Continued)

Primary Examiner — Susan Bennett Hattan

Assistant Examiner — Leanne Was

(74) *Attorney, Agent, or Firm* — Fulbright & Jaworski LLP

(57) **CLAIM**

The ornamental design for a cap for cosmetic and fragrance bottles, as shown and described.

DESCRIPTION

FIG. 1 is a top perspective view of our design comprising a cap;

FIG. 2 is a front view of the cap represented in FIG. 1;

FIG. 3 is a back view of the cap represented in FIG. 1;

FIG. 4 is a right side view of the cap represented in FIG. 1;

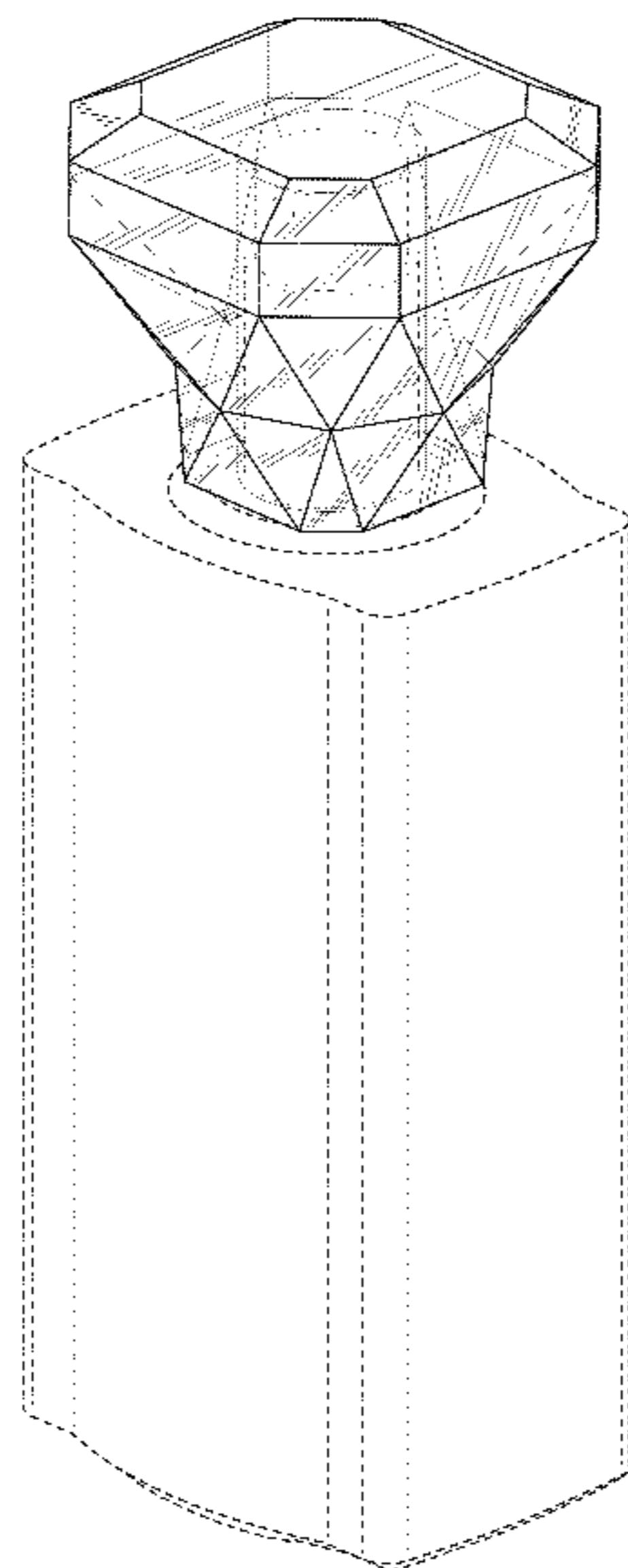
FIG. 5 is a left side view of the cap represented in FIG. 1;

FIG. 6 is a top view of the cap represented in FIG. 1; and,

FIG. 7 is a bottom view of the cap represented in FIG. 1.

The dashed lines in FIGS. 1-7 represent environmental structure and form no part of the claimed cap. All other surface(s) or portion(s) of the cap in FIGS. 1-7 not shown in figures or otherwise described in the specification form no part of the claimed cap.

1 Claim, 6 Drawing Sheets



(56)

References Cited

U.S. PATENT DOCUMENTS

D466,410 S	12/2002	De Baschmakoff	D9/516	D567,664 S	4/2008	Rica	D9/560
D473,467 S	4/2003	Lecoule	D9/516	D574,257 S	8/2008	Zeidan	D9/694
D480,299 S	10/2003	Sgariboldi	D9/694	D580,769 S	11/2008	Lloyd et al.	D9/529
D485,165 S	1/2004	Sgariboldi	D9/694	D600,565 S	9/2009	Kuzma et al.	D9/574
D494,087 S *	8/2004	Lax	D11/90	D603,717 S	11/2009	Rica	D9/560
D494,497 S *	8/2004	Lax	D11/90	D604,175 S	11/2009	Rica	D9/560
D499,028 S	11/2004	Faillant-Dumas	D9/544	D605,948 S	12/2009	Sposato	D9/546
D499,353 S *	12/2004	Lax	D11/90	D611,350 S	3/2010	Esparza et al.	D9/522
D511,688 S	11/2005	Baron	D9/560	D626,842 S	11/2010	Rica	D9/516
D514,977 S *	2/2006	Mehta	D11/90	D628,494 S	12/2010	Aebi	D9/687
D522,872 S	6/2006	Lascaux	D9/544	D632,185 S	2/2011	Glass et al.	D9/667
D527,646 S	9/2006	Cornet et al.	D9/560	D632,969 S	2/2011	Monteparo et al.	D9/544
D530,211 S	10/2006	Lloyd	D9/542	D633,806 S	3/2011	Lecoule	D9/599
D531,911 S	11/2006	Lloyd	D9/546	D637,491 S *	5/2011	Bogert	D9/452
D532,699 S	11/2006	Mouquet	D9/694	D639,667 S *	6/2011	Bogert et al.	D9/544
D542,144 S	5/2007	Herrmann	D9/560	D643,770 S *	8/2011	Botha	D11/90
D562,143 S	2/2008	Didier	D9/544	D644,110 S *	8/2011	Jagger	D9/548
D565,993 S *	4/2008	Voorn	D11/90	D655,612 S	3/2012	Oge-Nichols	D9/599
				D659,548 S	5/2012	De France	D9/694
				D670,176 S	11/2012	Monteparo et al.	D9/600
				D678,073 S	3/2013	Oge-Nichols et al.	D9/542

* cited by examiner

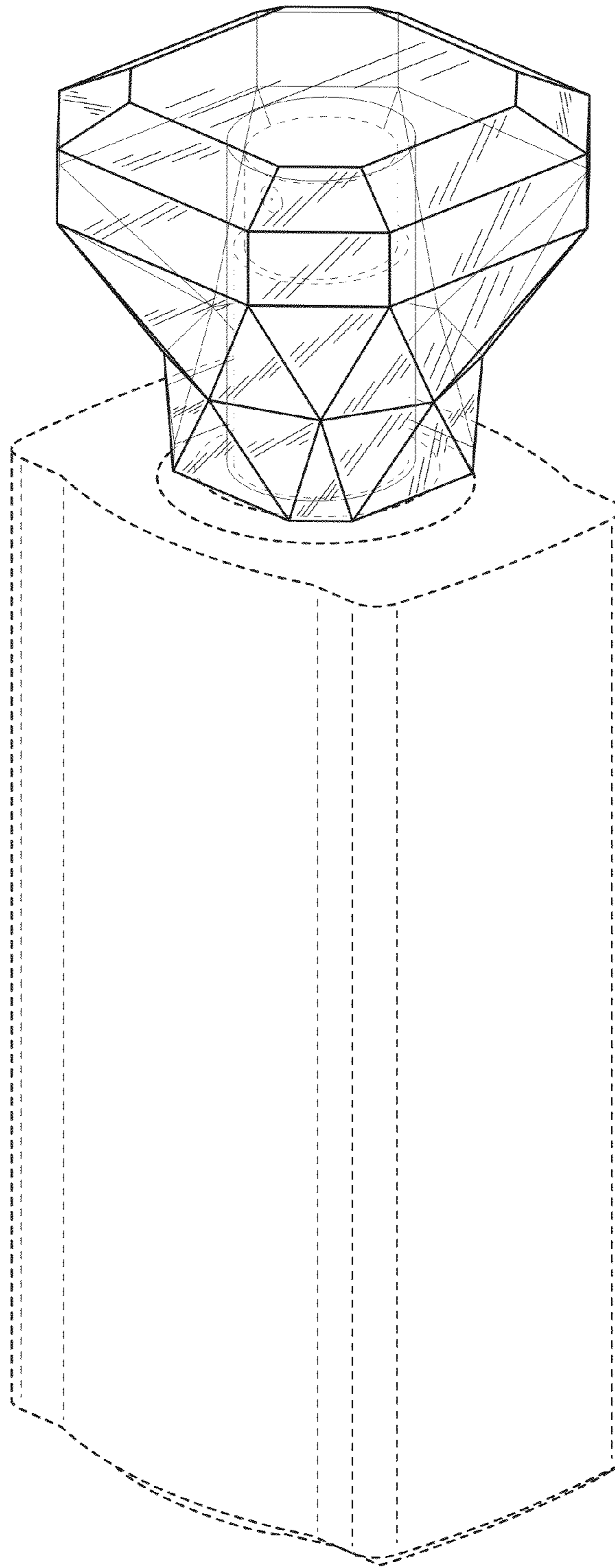


FIG. 1

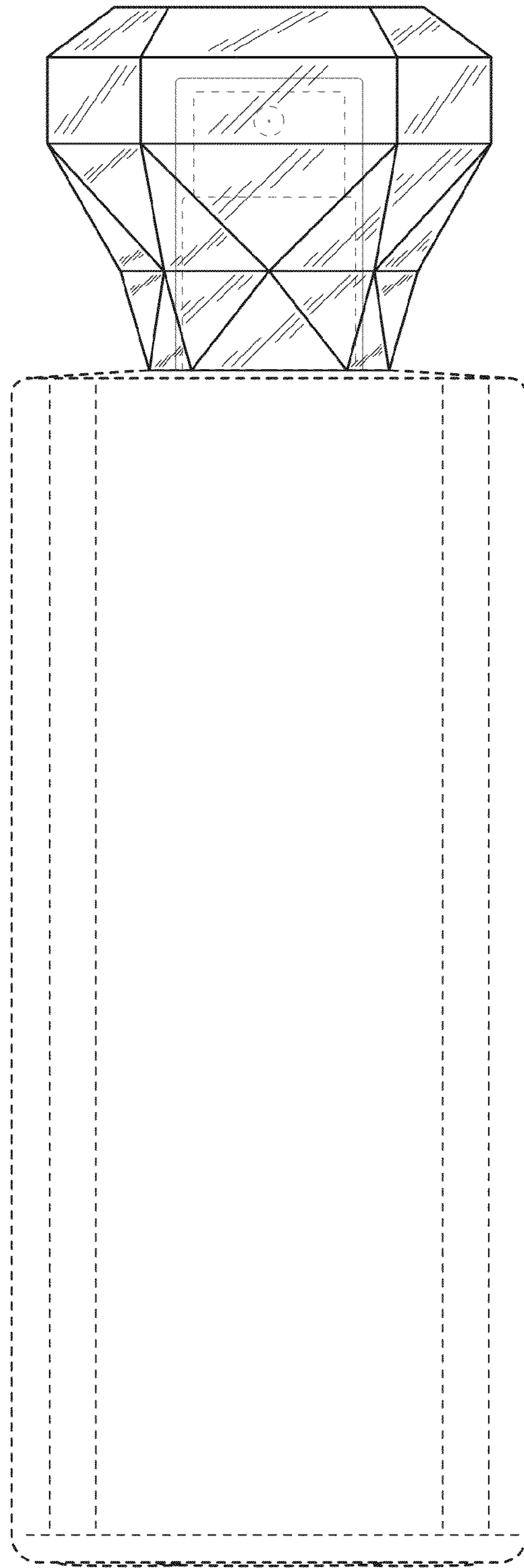


FIG. 2

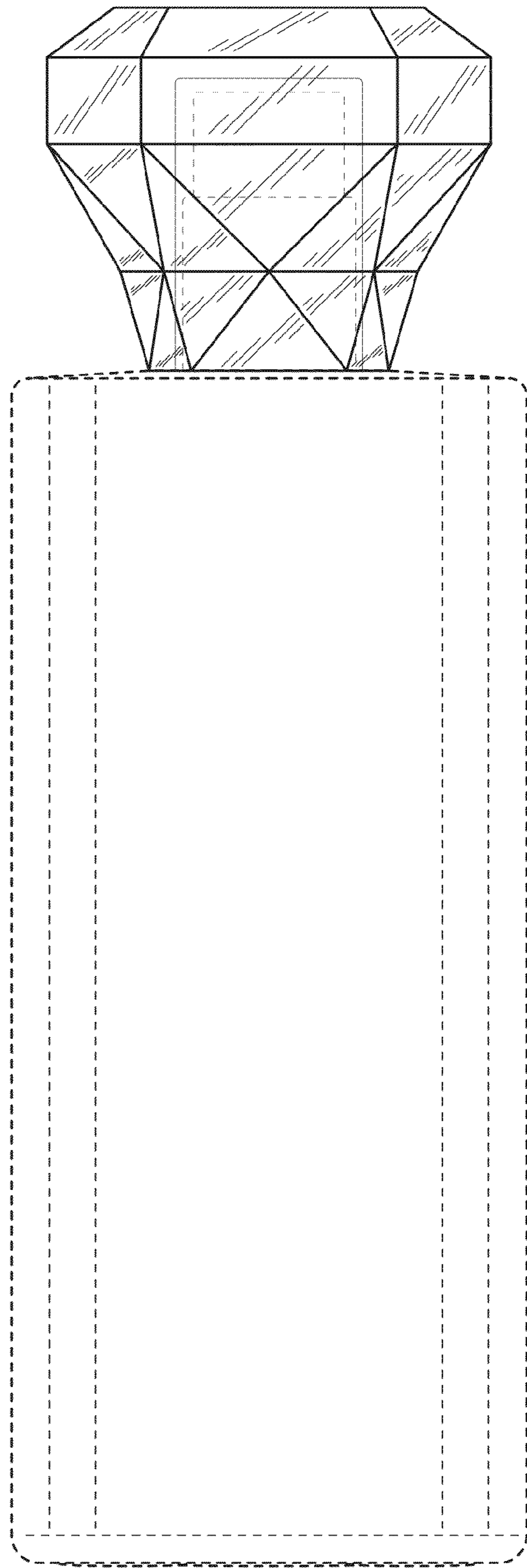


FIG. 3

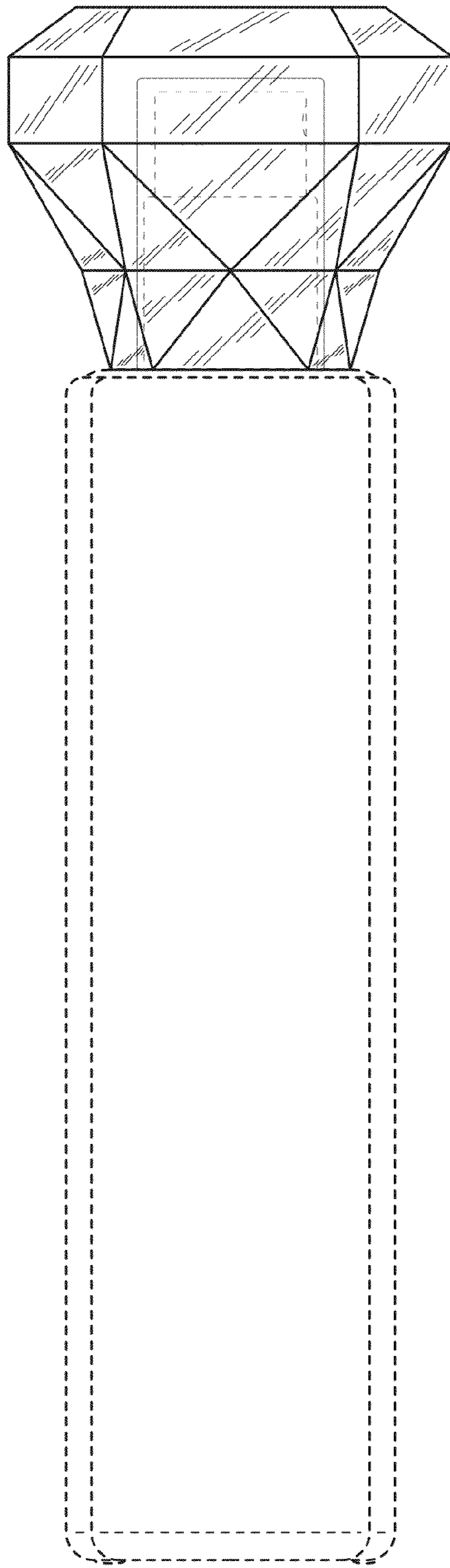


FIG. 4

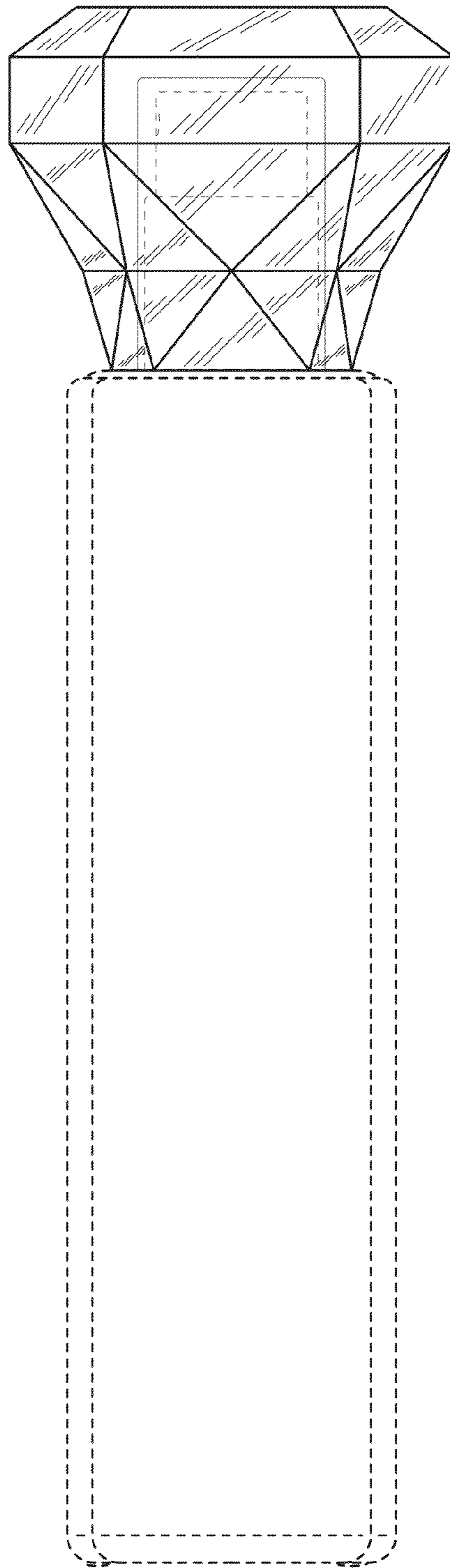


FIG. 5

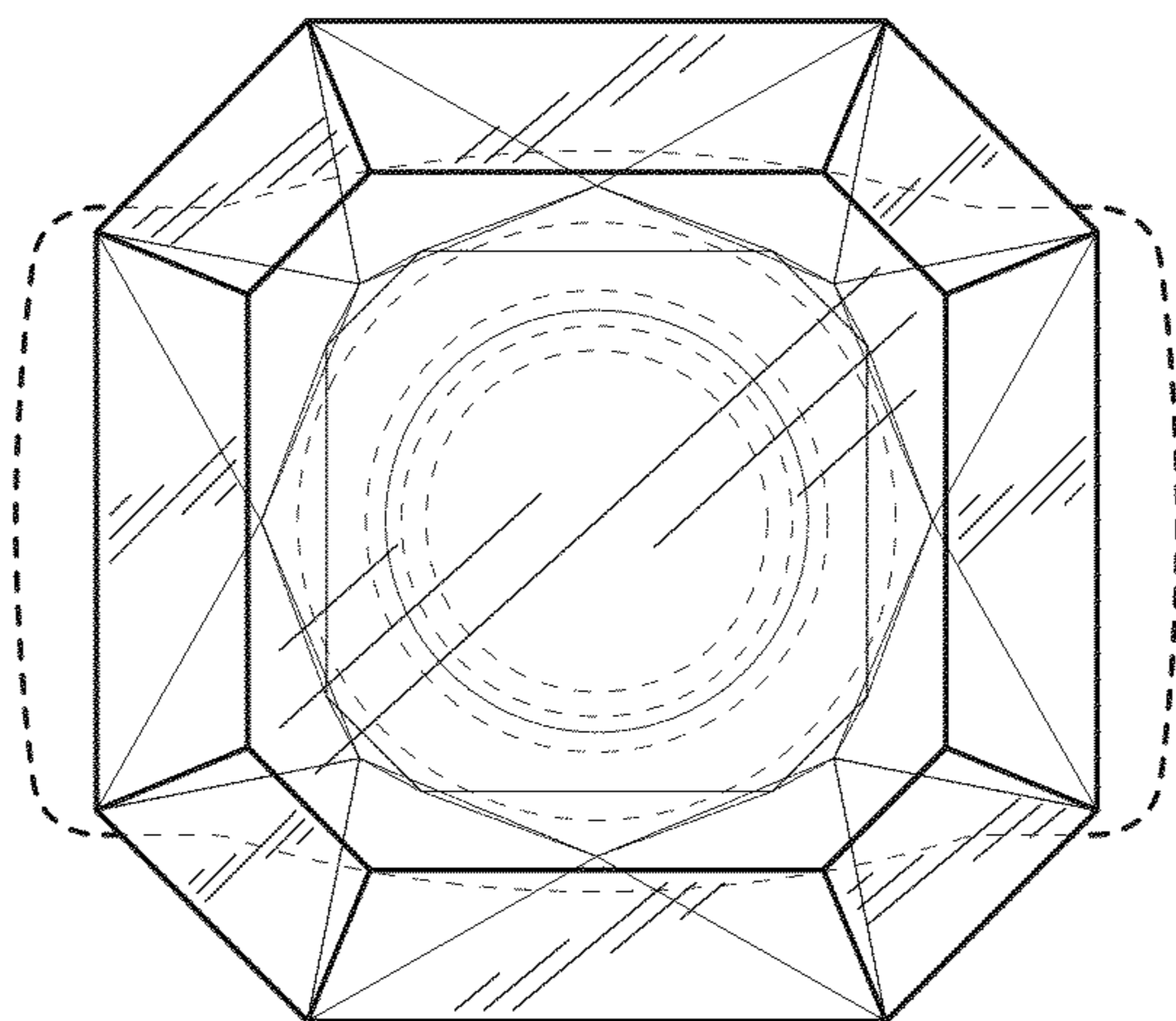


FIG. 6

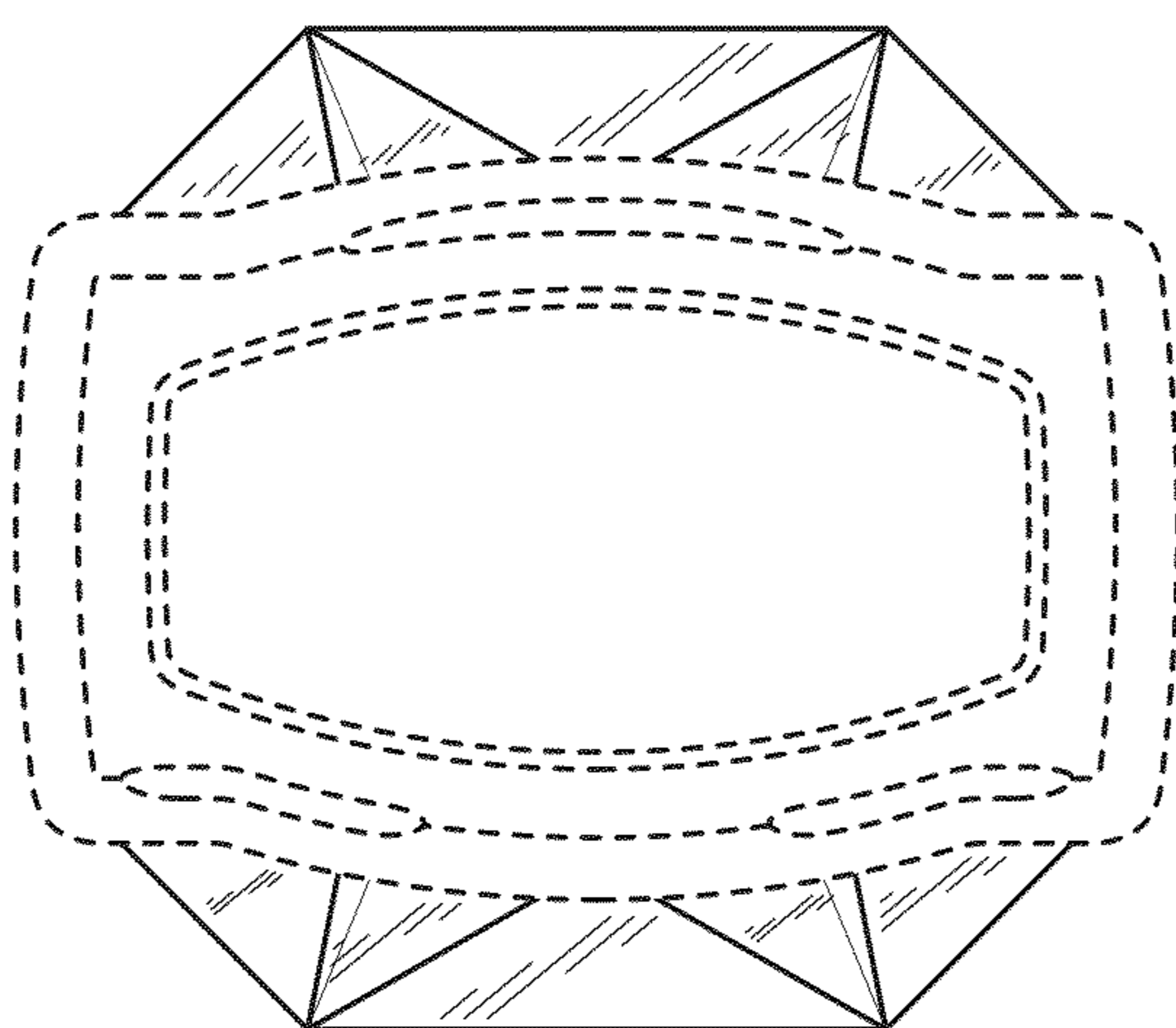


FIG. 7