



US00D712248S

(12) **United States Design Patent**
Carnduff et al.

(10) **Patent No.:** **US D712,248 S**
(45) **Date of Patent:** **** Sep. 2, 2014**

- (54) **PACKAGE**
- (75) Inventors: **Ian Andrew Carnduff**, Brooklyn, NY (US); **Robert Charles Doherty**, Braintree, MA (US); **Graham Clive Hufton**, New York, NY (US); **Richard Kevin Sennett**, Abington, MA (US)
- (73) Assignee: **The Gillette Company**, Boston, MA (US)
- (**) Term: **14 Years**
- (21) Appl. No.: **29/416,175**
- (22) Filed: **Mar. 19, 2012**
- (51) **LOC (10) Cl.** **09-07**
- (52) **U.S. Cl.**
USPC **D9/434**
- (58) **Field of Classification Search**
CPC .. B65B 29/02; B65D 85/804; B65D 85/8043; B65D 1/22; B65D 1/42; B65D 5/4204
USPC D9/434, 414-429; 206/461-471; D7/554.2, 550.1
See application file for complete search history.

D453,901 S	2/2002	Shepperson	
D495,246 S	8/2004	Tomassetti	
D496,267 S	9/2004	Tommasetti	
D511,105 S	11/2005	Dominesey et al.	
D517,907 S *	3/2006	Lee et al.	D9/415
D521,861 S *	5/2006	Lee et al.	D9/415
D561,580 S *	2/2008	Croft et al.	D9/418
D569,721 S *	5/2008	Gedanke	D9/425
D603,254 S *	11/2009	Hogenbirk	D9/425
D618,539 S *	6/2010	Ruth	D9/415
D622,617 S *	8/2010	Sorrentino et al.	D9/756
D652,259 S *	1/2012	Hatcher et al.	D7/553.5
D671,399 S *	11/2012	Armstrong et al.	D9/415
2006/0186184 A1 *	8/2006	Jourdain	229/113
2006/0283741 A1 *	12/2006	Bin	206/418
2008/0023369 A1 *	1/2008	Lee et al.	206/722
2010/0230312 A1 *	9/2010	Sorrentino et al.	206/369

* cited by examiner

Primary Examiner — Susan Bennett Hattan

Assistant Examiner — Brett Miller

(74) *Attorney, Agent, or Firm* — Blaine A. Page; Kevin C. Johnson; Steven W. Miller

(57) **CLAIM**

The ornamental design for a package, as shown and described.

(56) **References Cited**

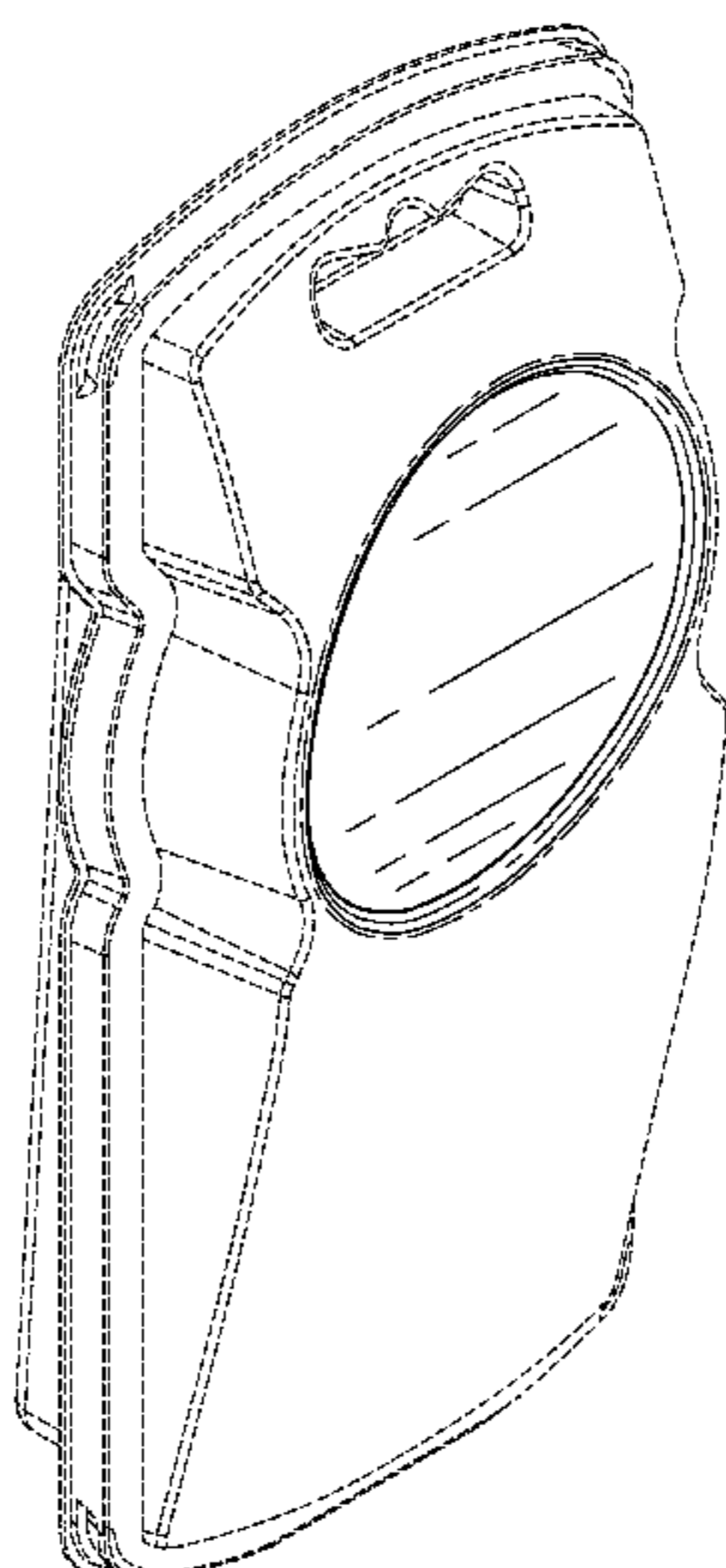
U.S. PATENT DOCUMENTS

1,598,396 A *	8/1926	Scandore	206/772
D75,872 S *	7/1928	Rice	D7/550.1
D103,670 S *	3/1937	Connor	D7/551.3
D267,394 S *	12/1982	Liptak et al.	D9/415
D291,064 S *	7/1987	Haber et al.	D9/415
D305,408 S	1/1990	LaJoie	
D313,175 S	12/1990	Motta et al.	
D352,236 S	11/1994	Althaus	
5,407,066 A *	4/1995	Grange	206/228
5,429,241 A	7/1995	Althaus	
D400,790 S *	11/1998	Appelbaum	D9/415
D432,417 S *	10/2000	McCann	D7/562
D433,283 S *	11/2000	Thomas	D7/546
D442,857 S	5/2001	Feehan, Jr.	
6,276,529 B1	8/2001	Feehan, Jr.	

DESCRIPTION

FIG. 1 is a perspective view of a package of the present invention;
 FIG. 2 is a top view thereof;
 FIG. 3 is a bottom view thereof;
 FIG. 4 is a right view thereof;
 FIG. 5 is a left view thereof;
 FIG. 6 is a front view thereof; and,
 FIG. 7 is a rear view thereof.
 The broken lines consisting of long and short dash define boundaries of the claimed design whereas all other broken lines depict unclaimed environment; all broken lines forming no part of the claimed design.

1 Claim, 5 Drawing Sheets



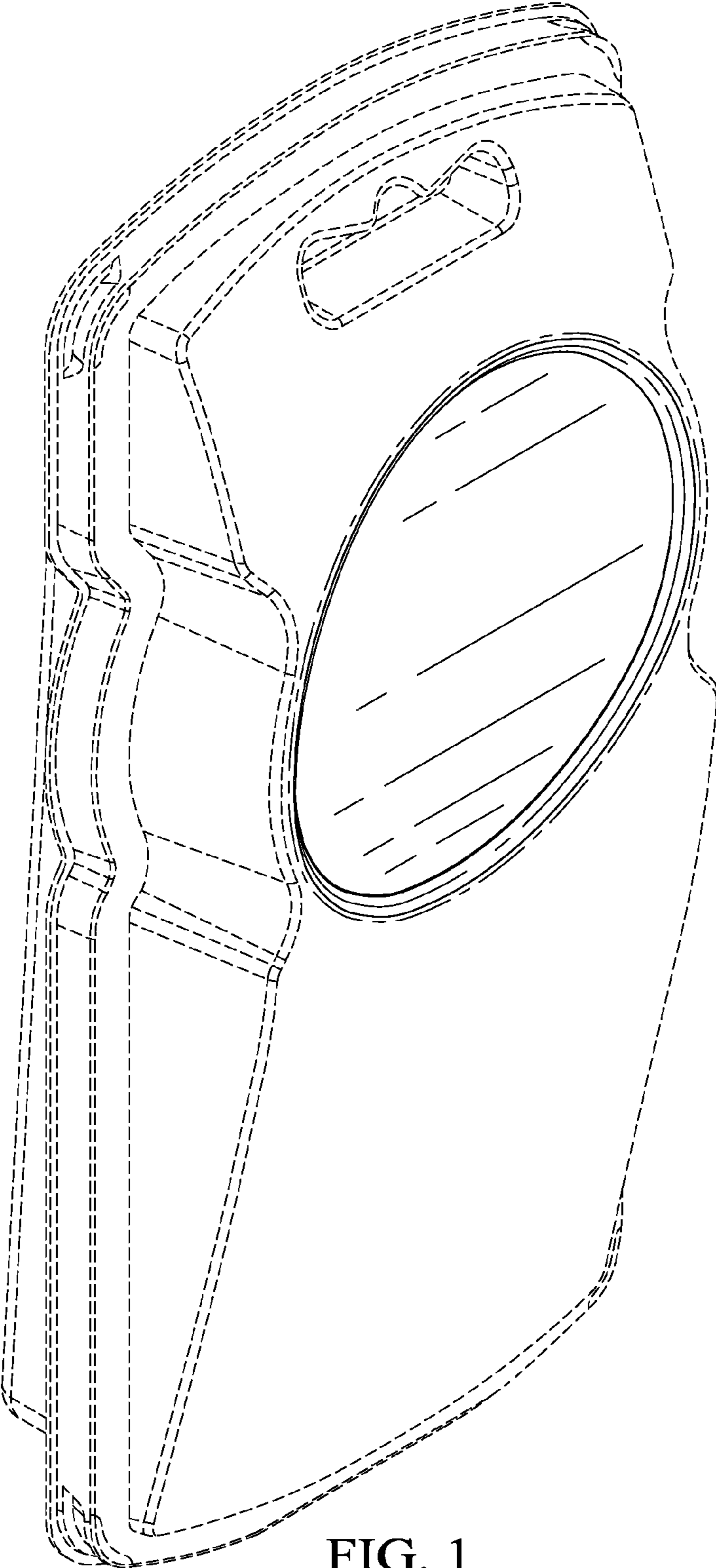


FIG. 1

FIG. 2

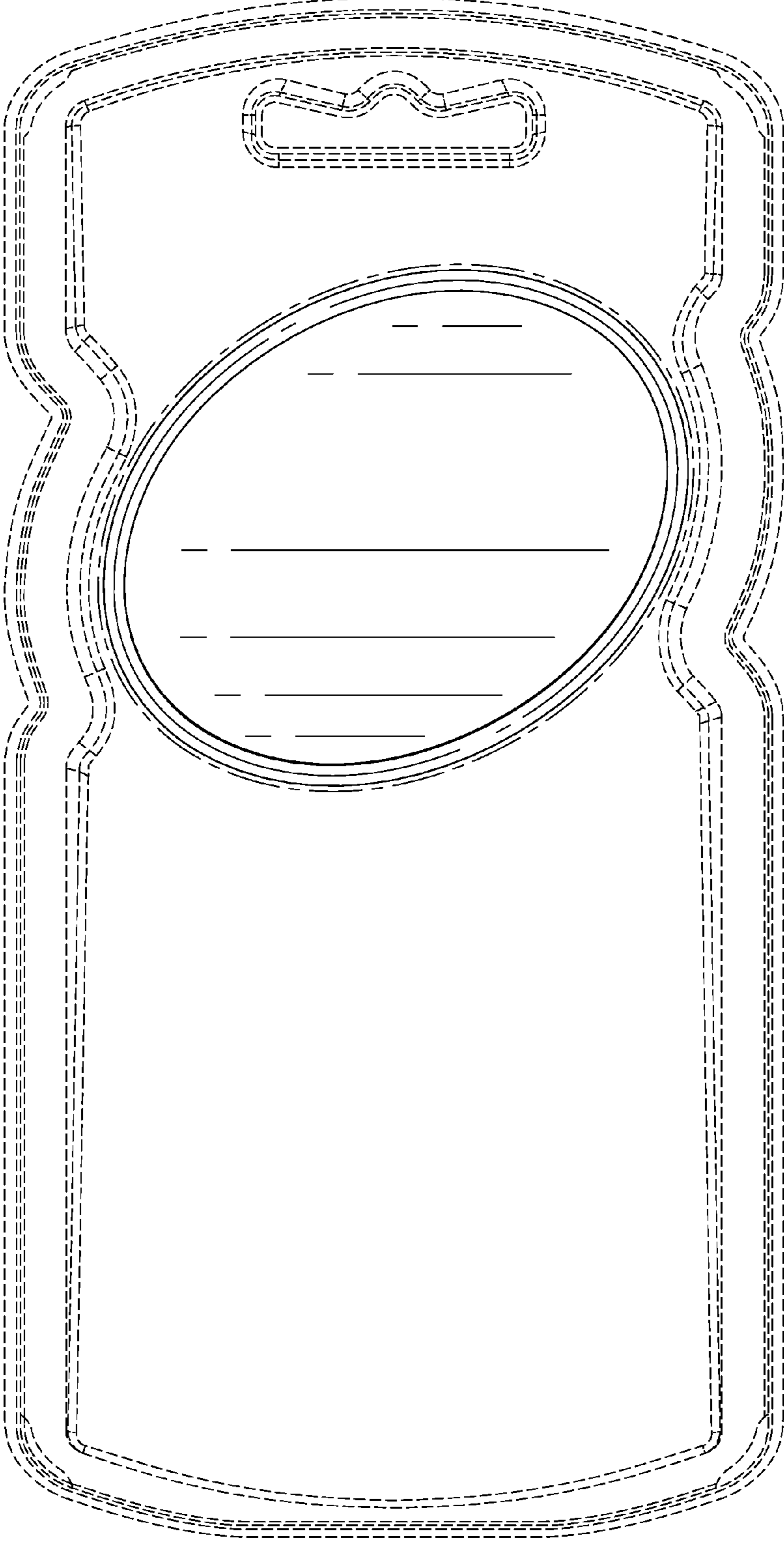


FIG. 3

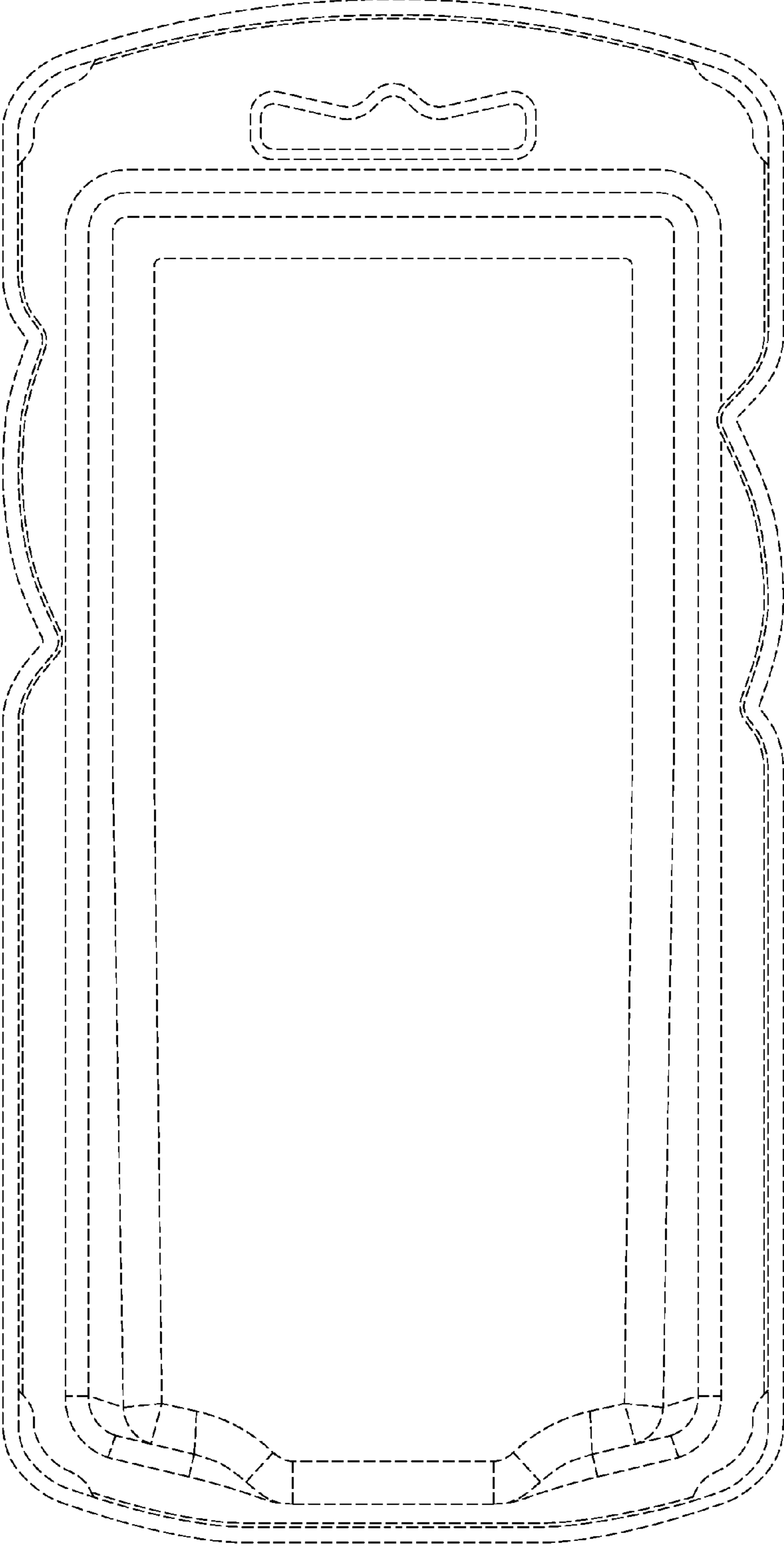


FIG. 4

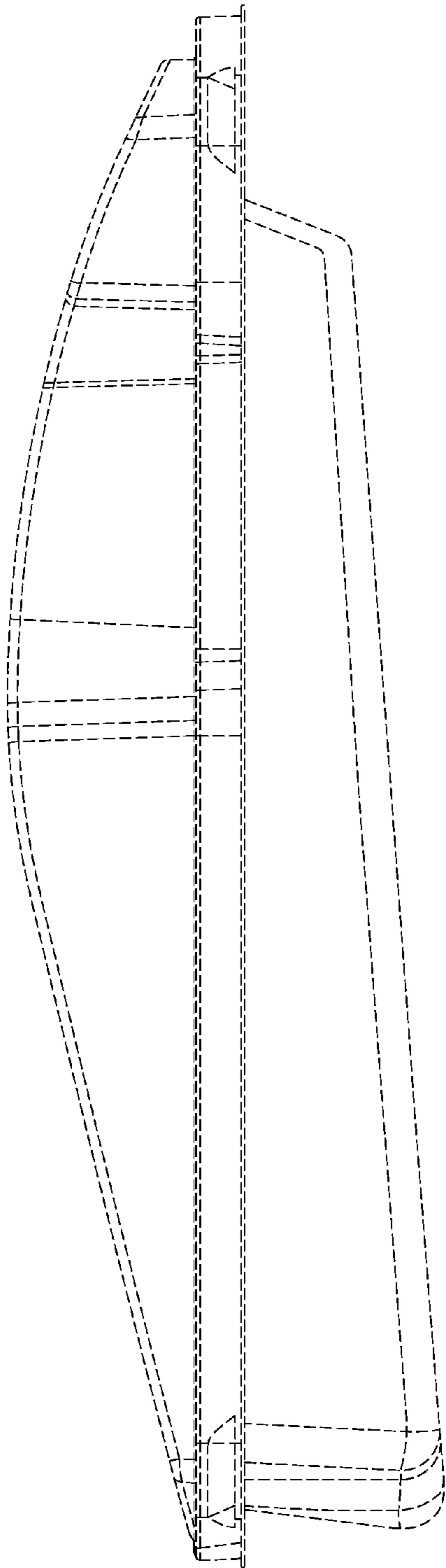
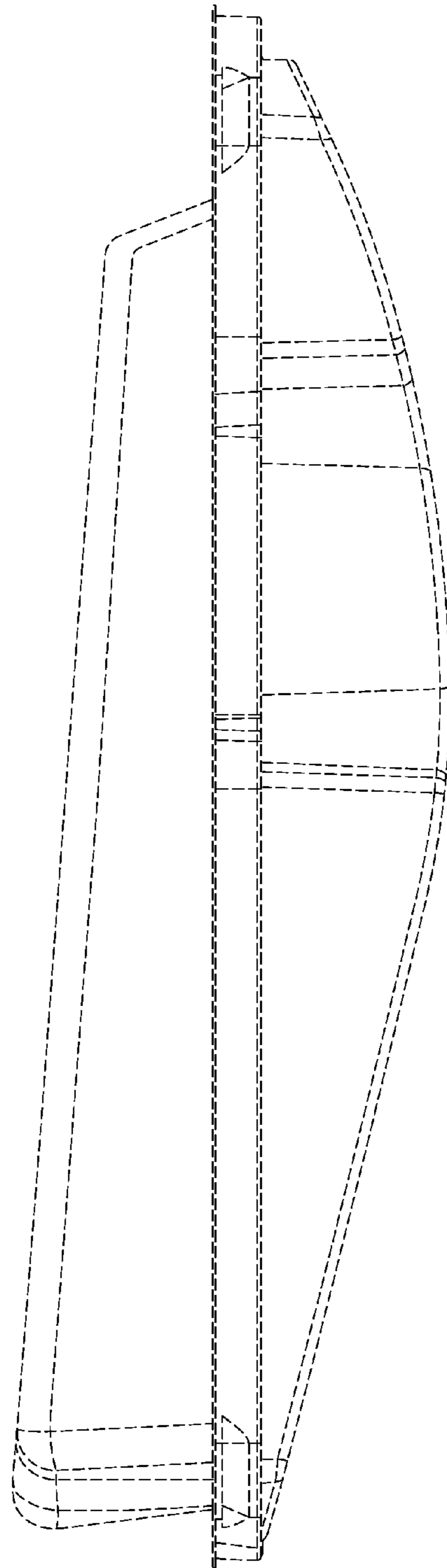


FIG. 5



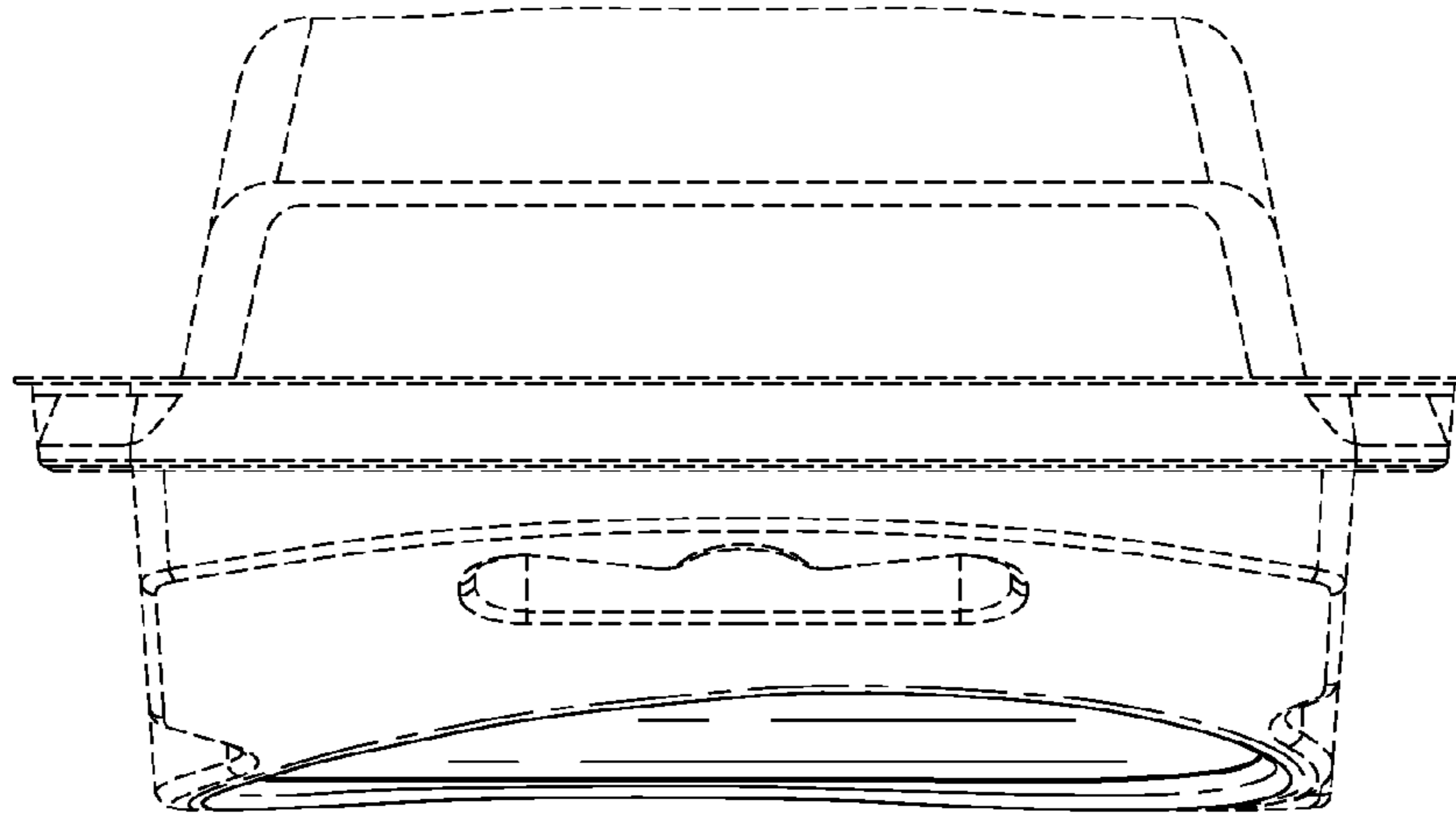


FIG. 6

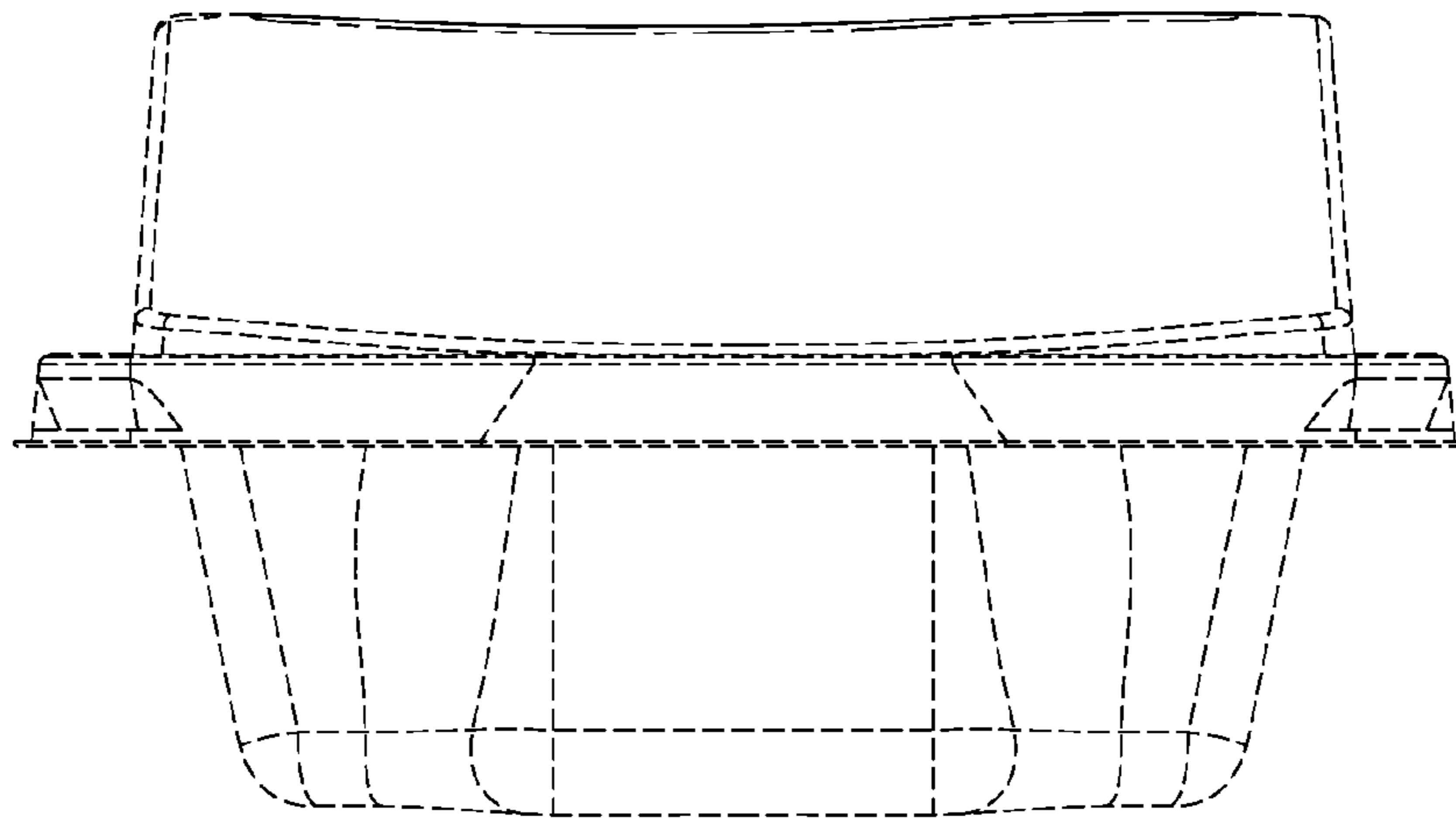


FIG. 7