



US00D712243S

(12) **United States Design Patent**
Raines

(10) **Patent No.:** **US D712,243 S**

(45) **Date of Patent:** **** Sep. 2, 2014**

- (54) **WIRE ROPE BUNDLING CLIP**
- (75) Inventor: **Troy Raines**, Chattanooga, TN (US)
- (73) Assignee: **Columbus McKinnon Corporation**, Amherst, NY (US)
- (**) Term: **14 Years**
- (21) Appl. No.: **29/401,078**
- (22) Filed: **Sep. 7, 2011**
- (51) **LOC (10) Cl.** **08-08**
- (52) **U.S. Cl.**
USPC **D8/396**
- (58) **Field of Classification Search**
USPC D8/354–356, 371, 376, 394–396, 382,
D8/380; 24/16 R, 279; 248/49, 61, 62, 63,
248/74.1–74.4, 73; 294/116
See application file for complete search history.

- 5,733,139 A * 3/1998 Bray et al. 439/402
- D483,241 S * 12/2003 Miller et al. D8/71
- D531,890 S * 11/2006 Bentrin D8/382
- D538,143 S * 3/2007 Pu et al. D8/394
- 7,191,988 B2 * 3/2007 Kim et al. 248/68.1
- D620,346 S * 7/2010 Gretz D8/396
- D622,583 S * 8/2010 Parks et al. D8/394
- D640,537 S * 6/2011 Parks et al. D8/396
- 2001/0013156 A1 * 8/2001 LaCoy et al. 24/16 R

* cited by examiner

Primary Examiner — John Windmuller
(74) *Attorney, Agent, or Firm* — Phillips Lytle LLP

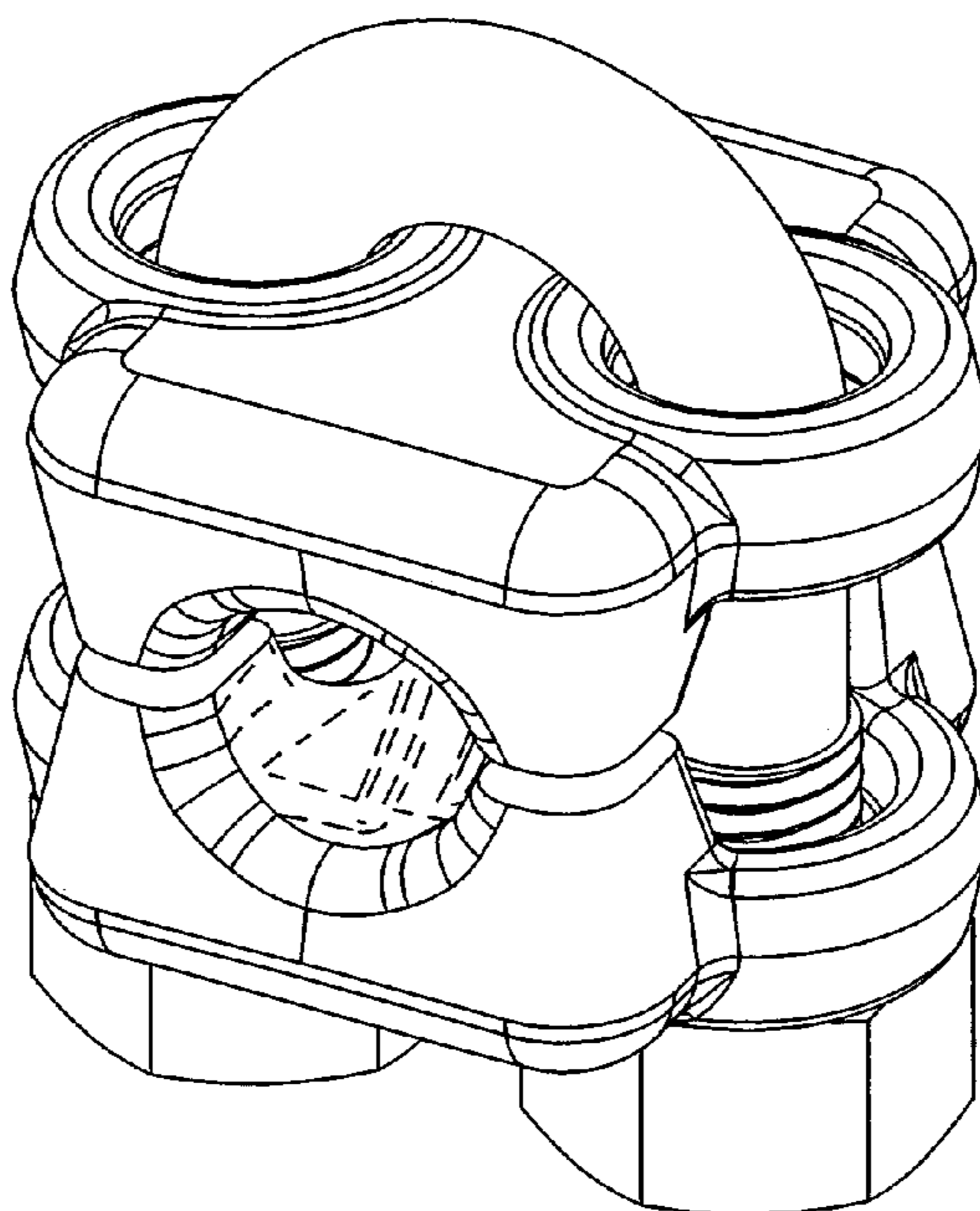
(57) **CLAIM**
Applicant claims the ornamental design for a wire rope bundling clip, as shown and described.

DESCRIPTION

FIG. 1 is a perspective view of the wire rope bundling clip.
 FIG. 2 is a front view of the wire rope bundling clip shown in FIG. 1.
 FIG. 3 is a rear view of the wire rope bundling clip shown in FIG. 1.
 FIG. 4 is a left side view of the wire rope bundling clip shown in FIG. 1.
 FIG. 5 is a right side view of the wire rope bundling clip shown in FIG. 1.
 FIG. 6 is a top view of the wire rope bundling clip shown in FIG. 1; and,
 FIG. 7 is a bottom view of the wire rope bundling clip shown in FIG. 1.
 The broken lines in the figures depict portions of the clip that form no part of the claimed design.

1 Claim, 3 Drawing Sheets

- (56) **References Cited**
U.S. PATENT DOCUMENTS
- D82,369 S * 10/1930 Cafiero D13/149
- 1,925,283 A * 9/1933 Searles 174/71 R
- 1,983,050 A * 12/1934 Sizer 269/128
- D121,075 S * 6/1940 Main D8/396
- 2,287,761 A * 6/1942 Matthyse 439/804
- D230,826 S * 3/1974 Menshen D8/396
- 3,860,351 A * 1/1975 Weiss et al. 403/218
- D243,747 S * 3/1977 Unghanse D8/396
- D247,420 S * 3/1978 Reynolds D8/373
- D280,433 S * 9/1985 Lincir D21/694
- D308,818 S * 6/1990 Powrzanas D8/396
- D381,894 S * 8/1997 Lun D8/396



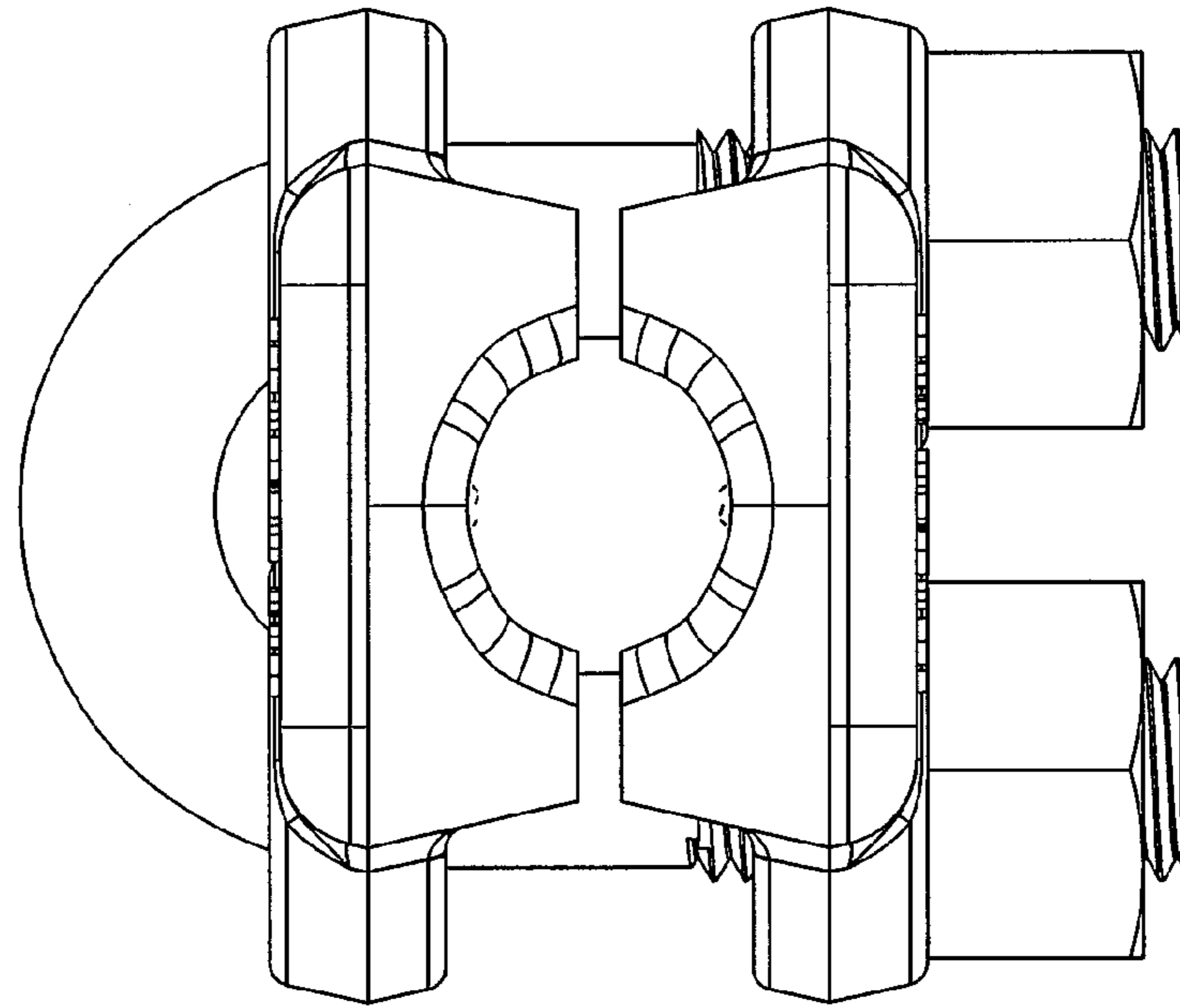


FIG. 1

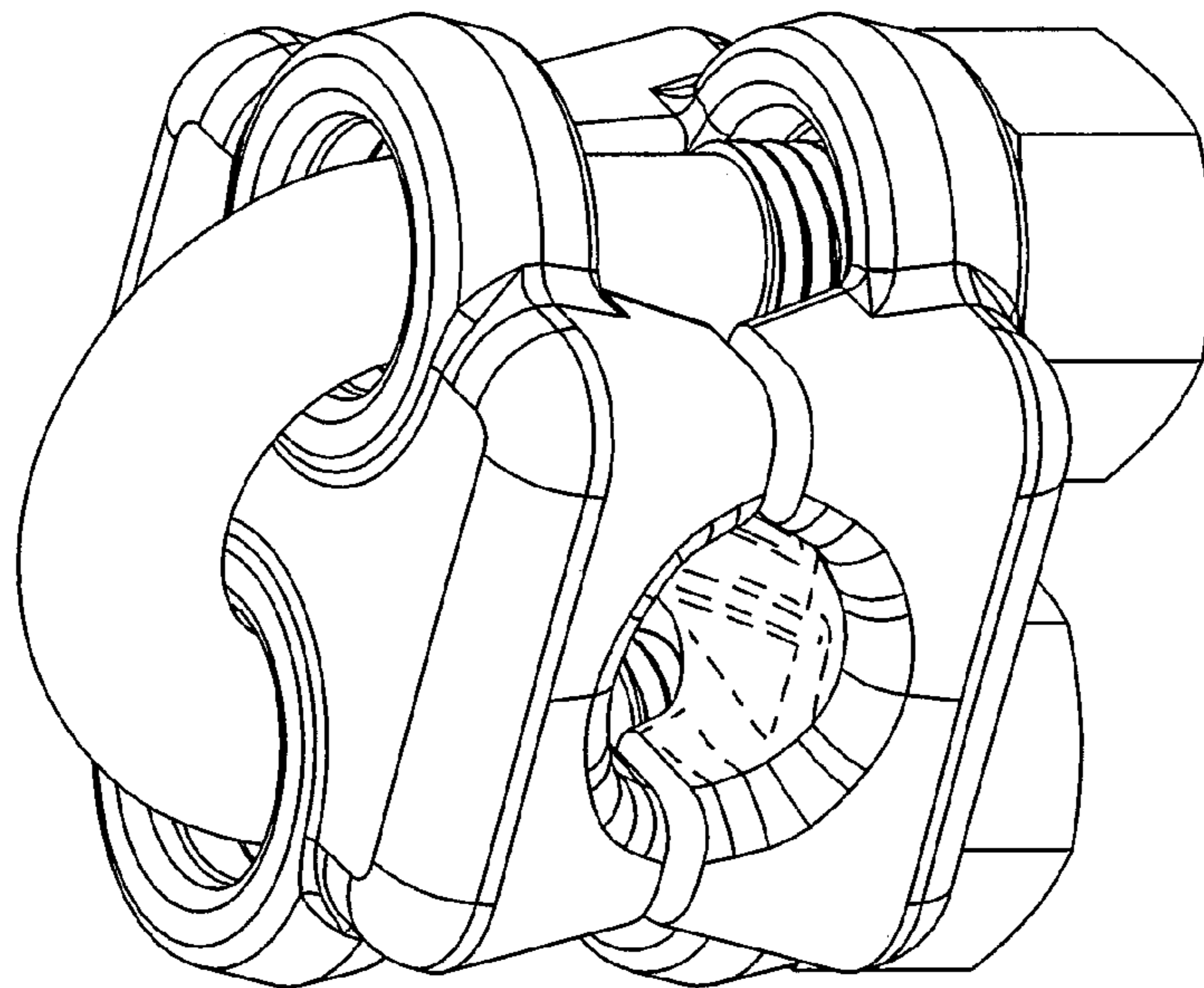


FIG. 2

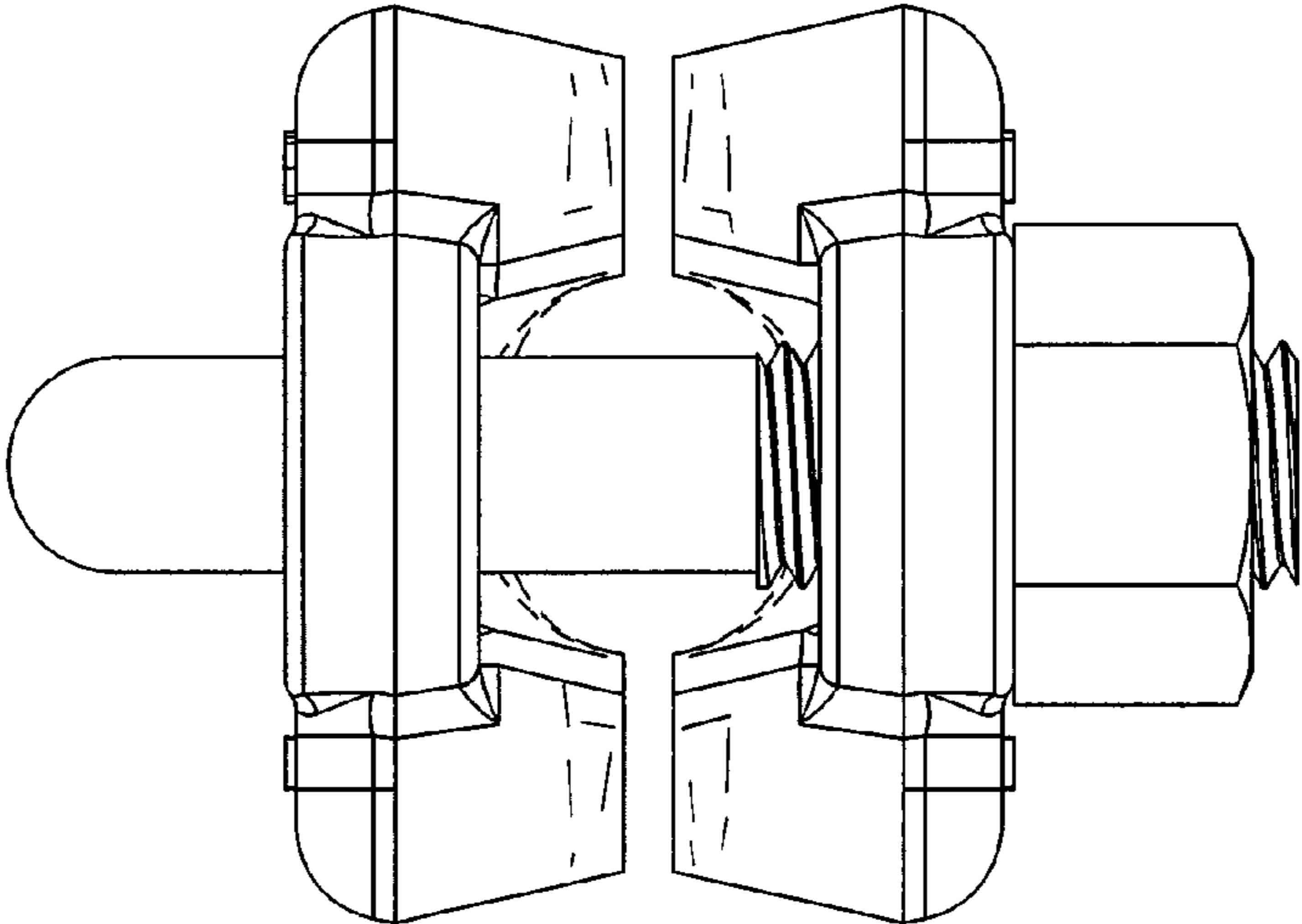


FIG. 3

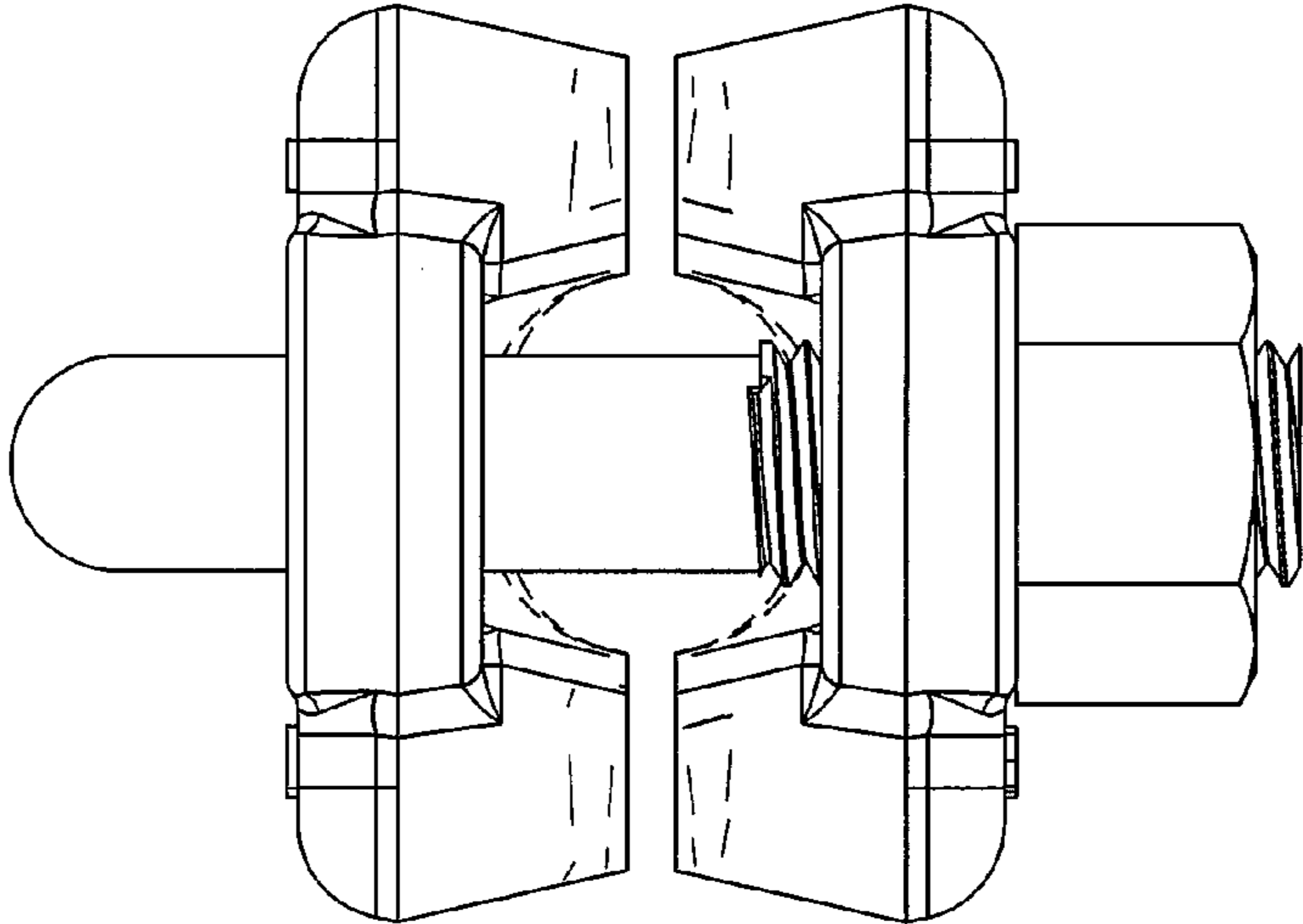


FIG. 4

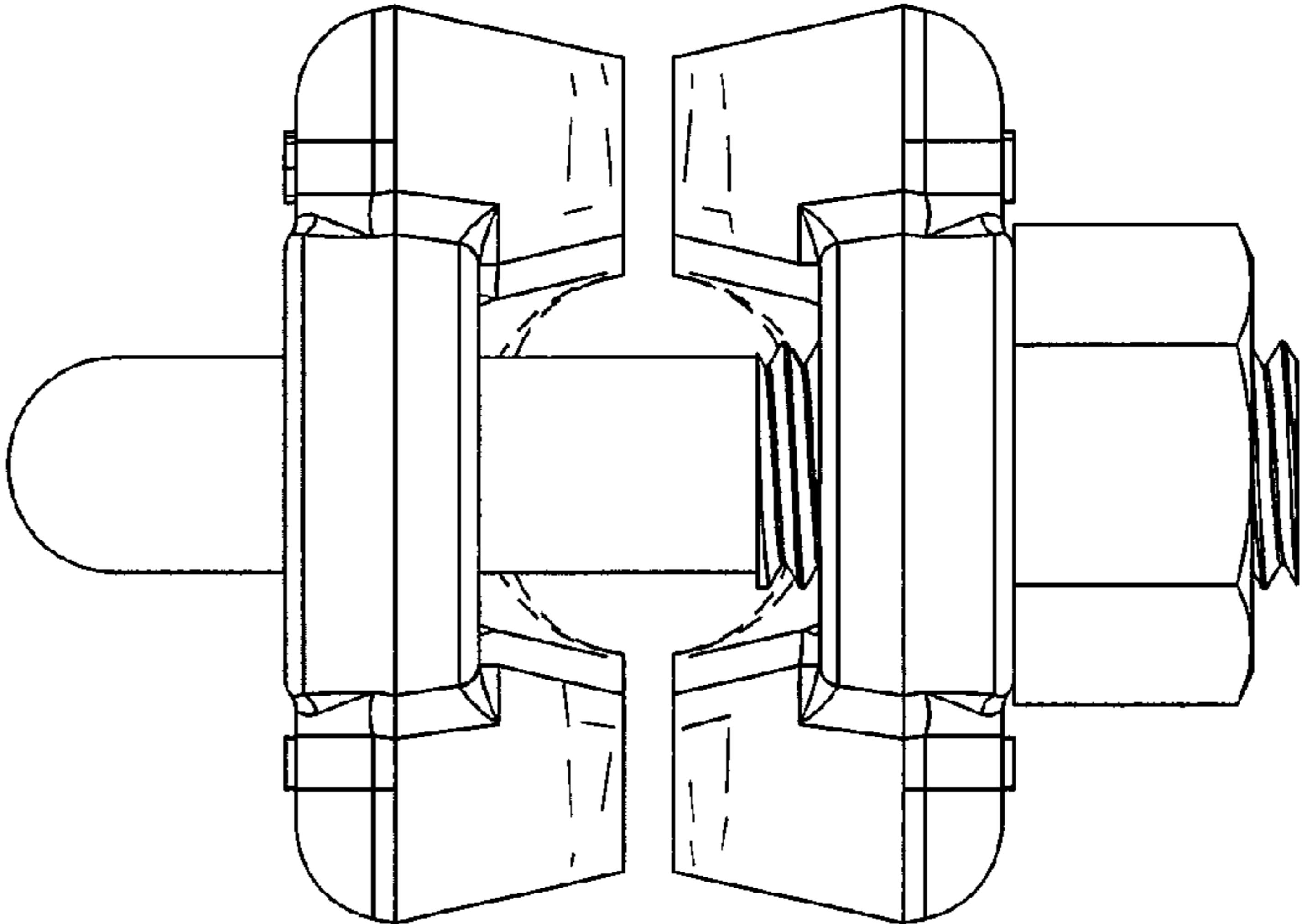


FIG. 5

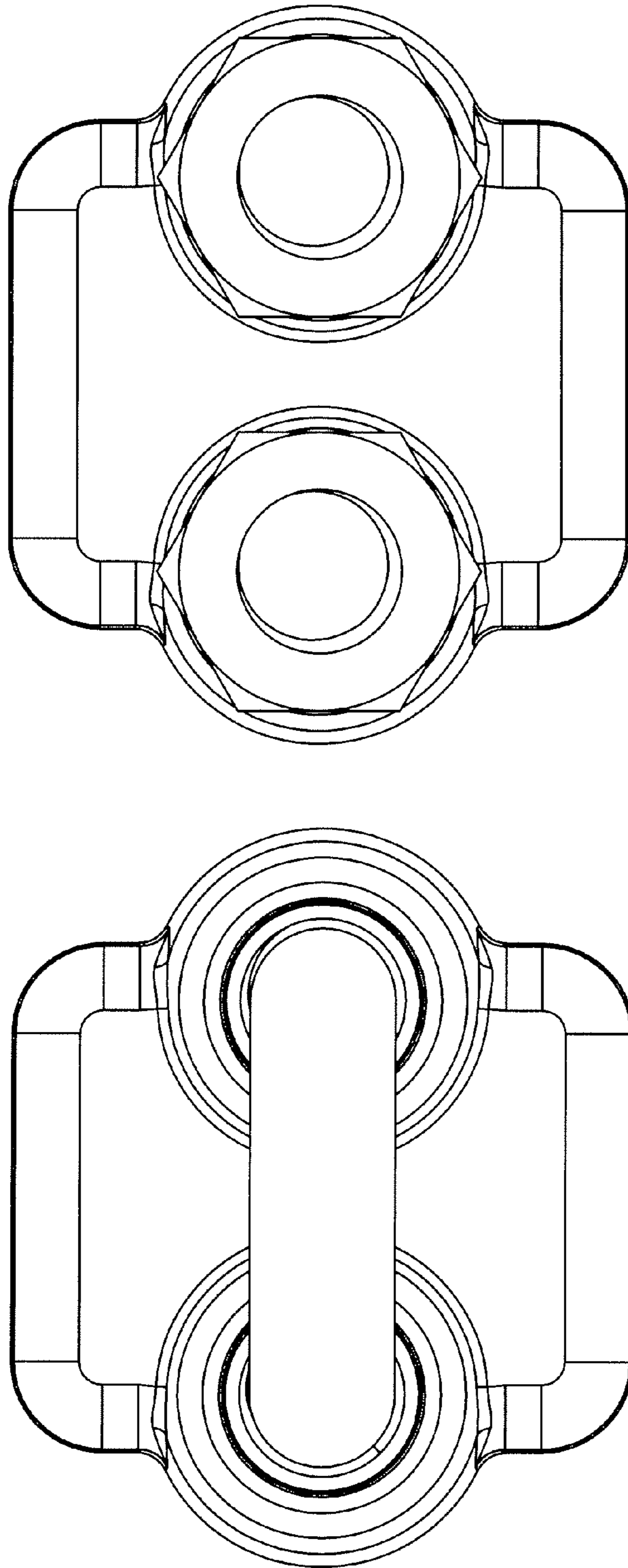


FIG. 7

FIG. 6