



US00D712242S

(12) **United States Design Patent**
Deneve

(10) **Patent No.:** **US D712,242 S**

(45) **Date of Patent:** **** Sep. 2, 2014**

(54) **BI-CYLINDRICAL NAIL**

(71) Applicant: **Yves Saint Laurent**, Paris (FR)

(72) Inventor: **Paul Deneve**, Paris (FR)

(73) Assignee: **Yves Saint Laurent**, Paris (FR)

(**) Term: **14 Years**

(21) Appl. No.: **29/458,960**

(22) Filed: **Jun. 25, 2013**

(51) **LOC (10) Cl.** **08-08**

(52) **U.S. Cl.**
USPC **D8/391**

(58) **Field of Classification Search**
USPC D8/391, 388, 384-385, 1; 411/439,
411/487, 456, 485, 379, 393, 402-403, 411,
411/352-353, 366.1
See application file for complete search history.

(56) **References Cited**

U.S. PATENT DOCUMENTS

D420,282 S * 2/2000 Jones D8/391
D426,146 S * 6/2000 Bruns et al. D8/387

6,918,723 B2 * 7/2005 Battig et al. 411/17
7,204,925 B2 * 4/2007 Matsumura et al. 205/198
7,775,559 B2 * 8/2010 Steinbock et al. 285/90
D623,507 S * 9/2010 Bowen, III D8/391
8,696,283 B1 * 4/2014 Dawson et al. 411/393

* cited by examiner

Primary Examiner — Sheryl Lane

(74) *Attorney, Agent, or Firm* — Donald J. Ranft; Collen IP

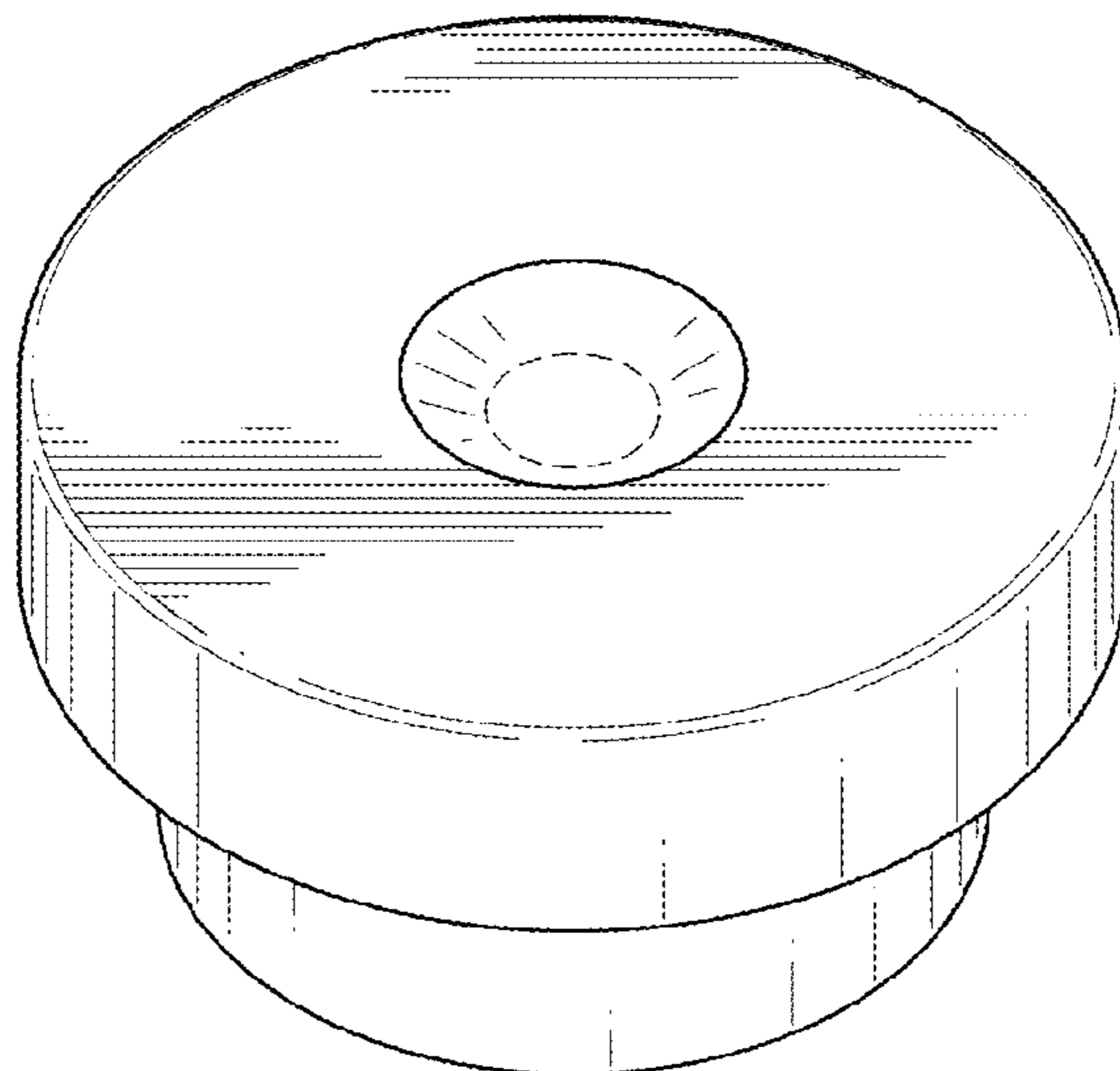
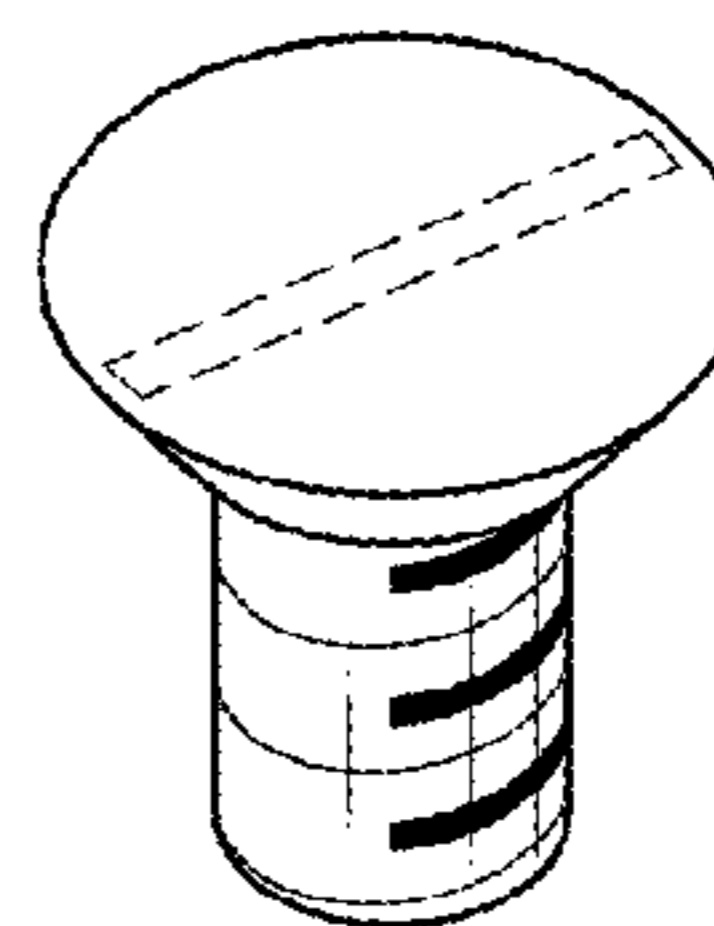
(57) **CLAIM**

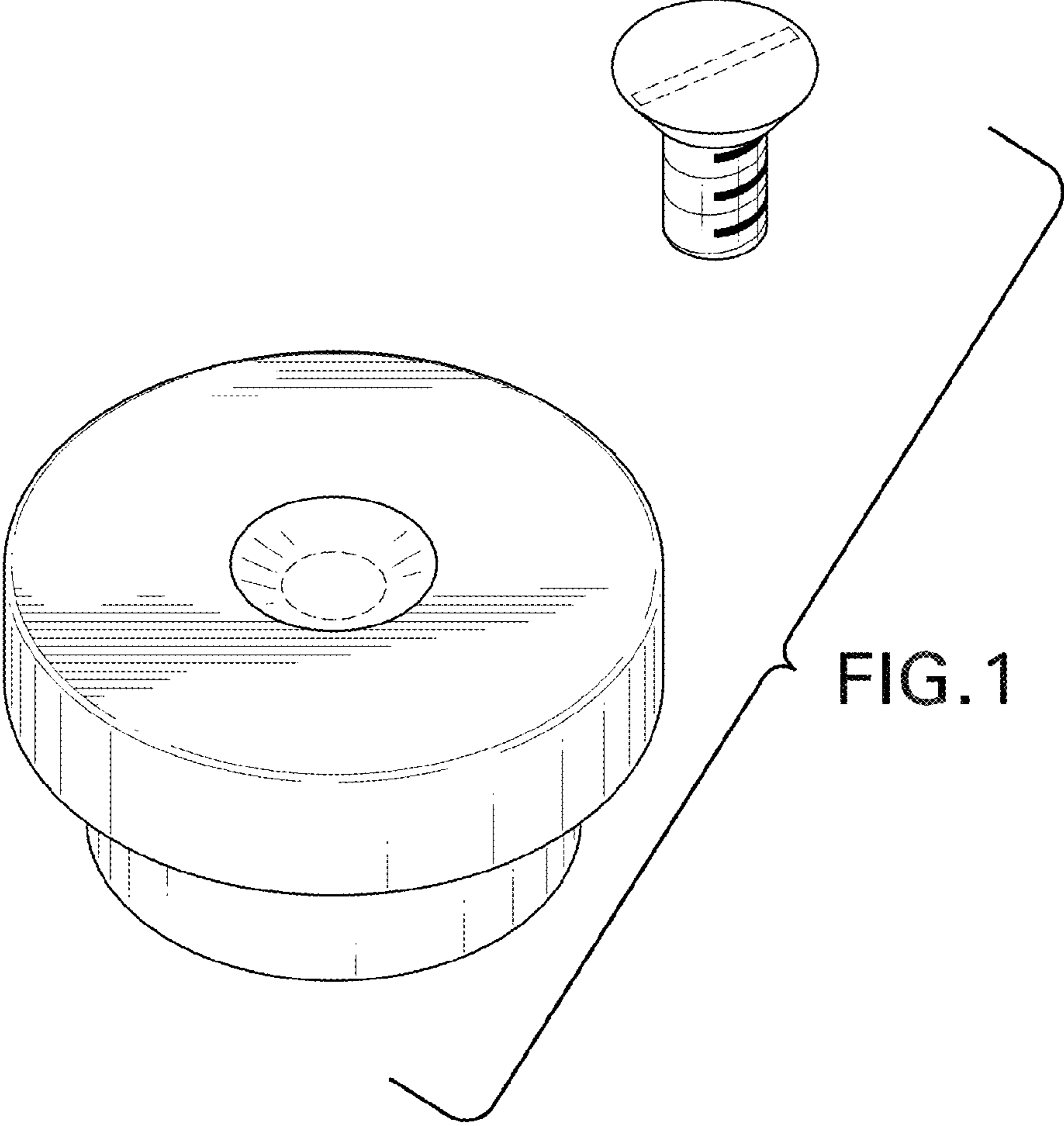
The ornamental design for a bi-cylindrical nail, as shown and described.

DESCRIPTION

FIG. 1 is an exploded top perspective view of a bi-cylindrical nail showing my new design;
FIG. 2 is an exploded bottom perspective view thereof;
FIG. 3 is an exploded side view thereof;
FIG. 4 is an exploded top view thereof;
FIG. 5 is an exploded bottom view thereof; and,
FIG. 6 is a top perspective view thereof.
The portions of the bi-cylindrical nail shown in broken lines form no part of the claimed design.

1 Claim, 6 Drawing Sheets





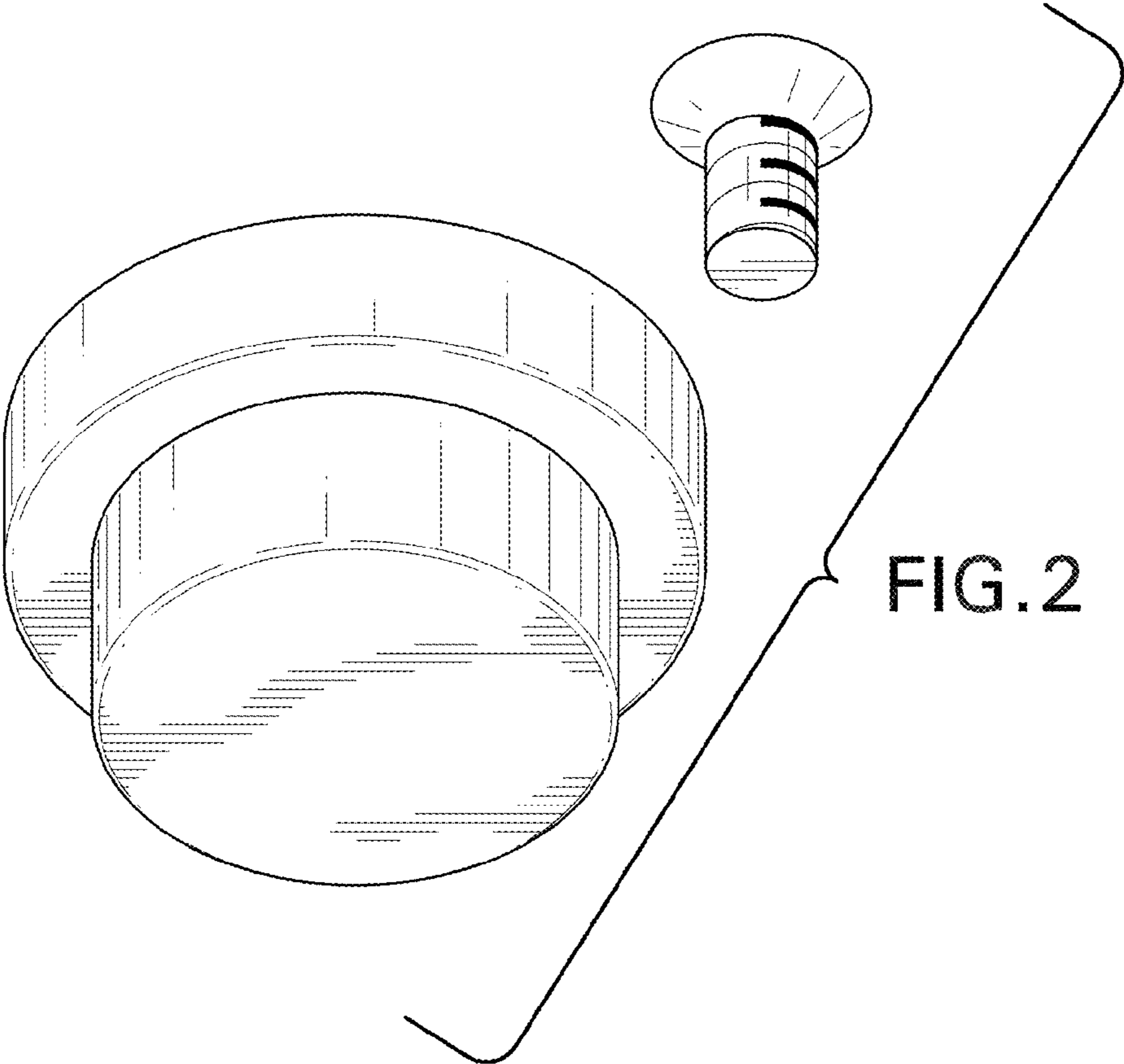


FIG. 2

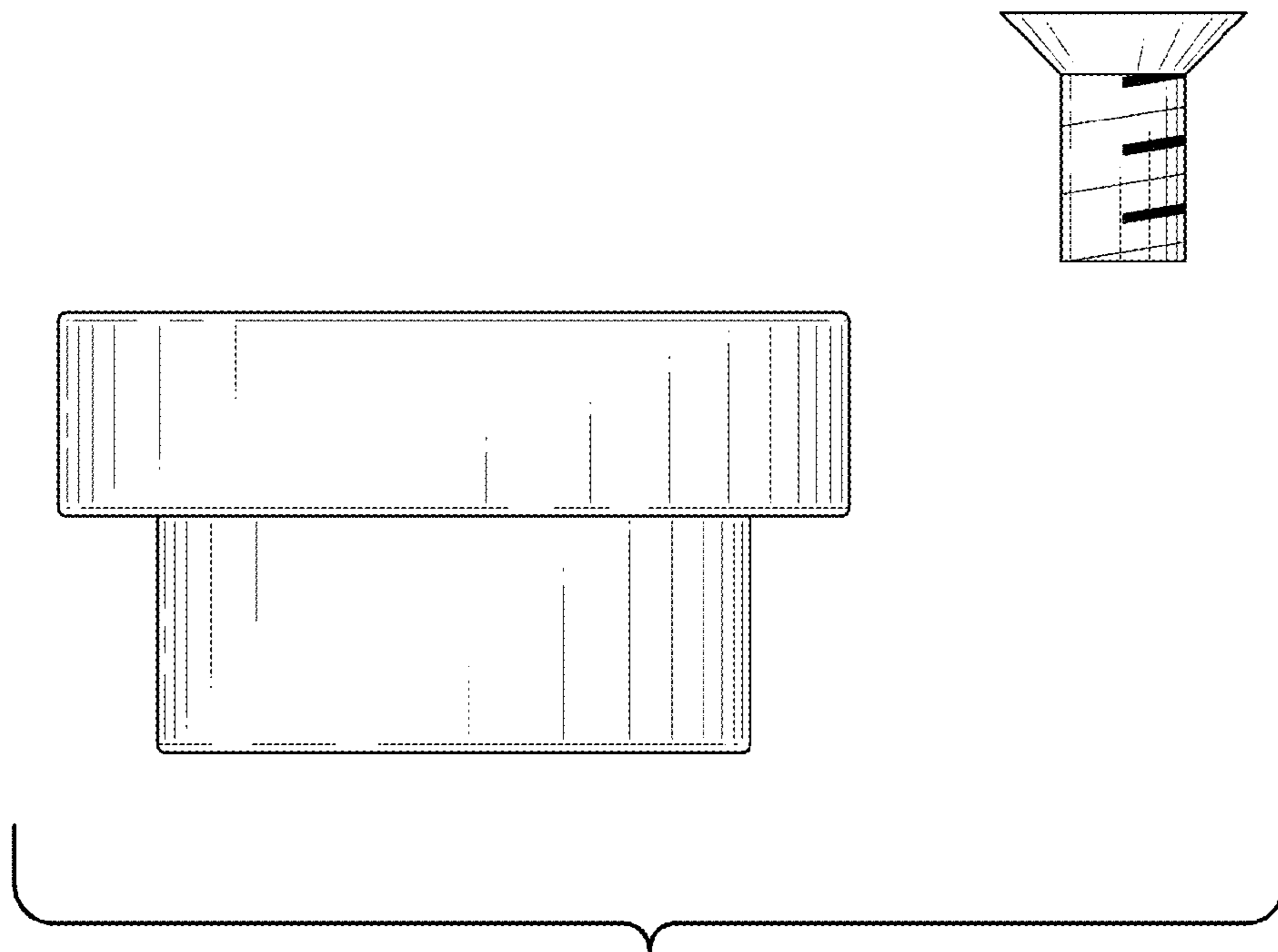


FIG. 3

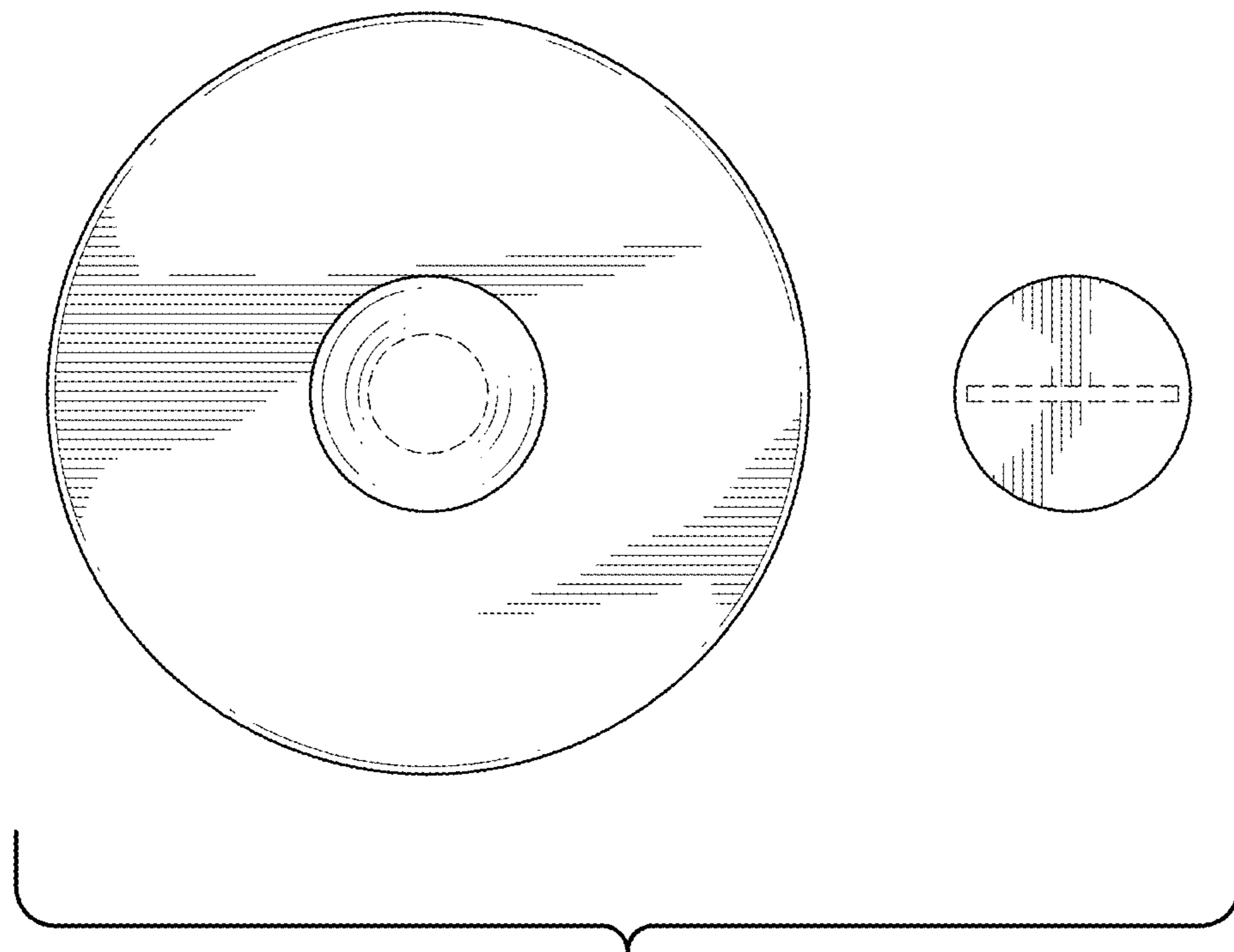


FIG.4

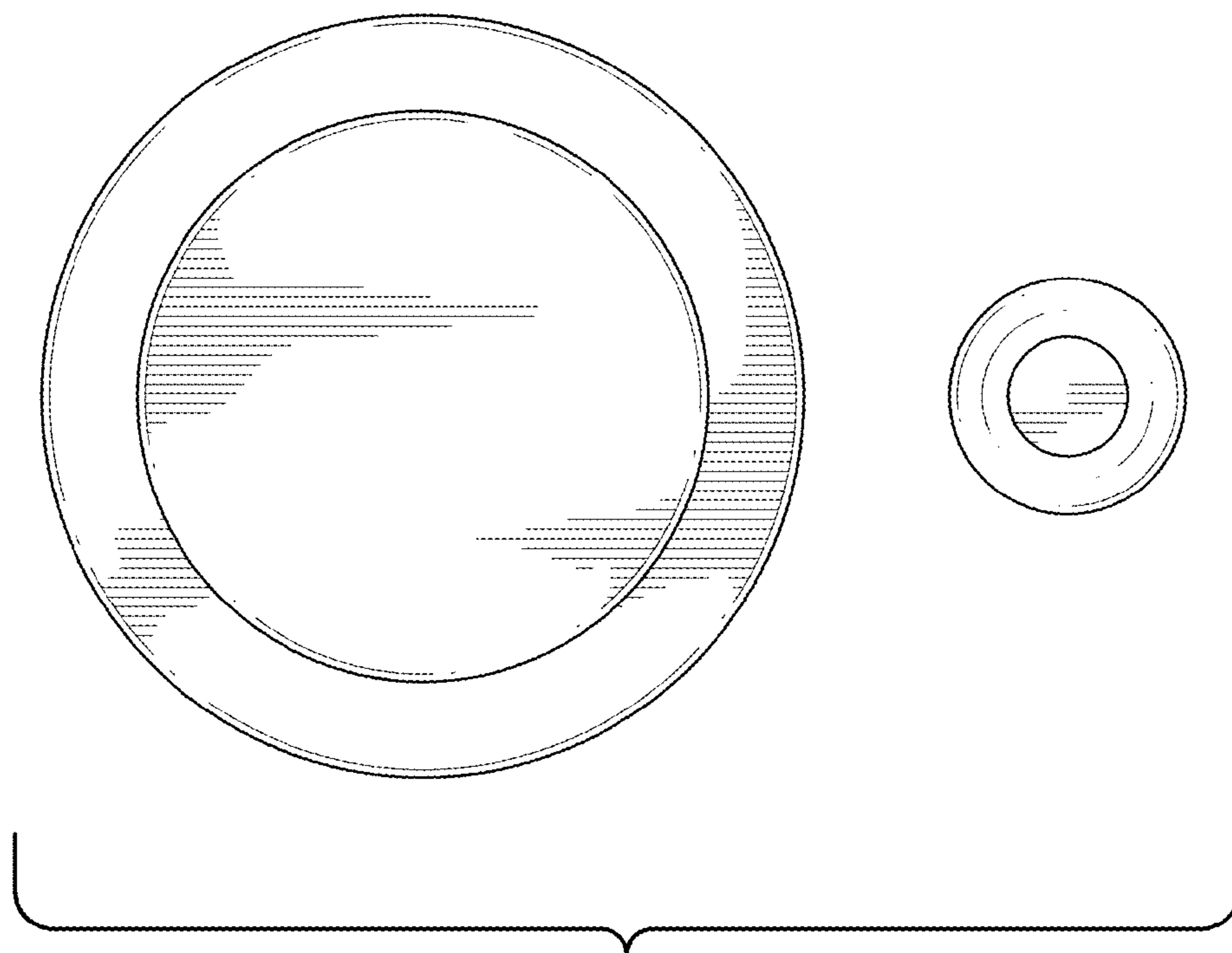


FIG. 5

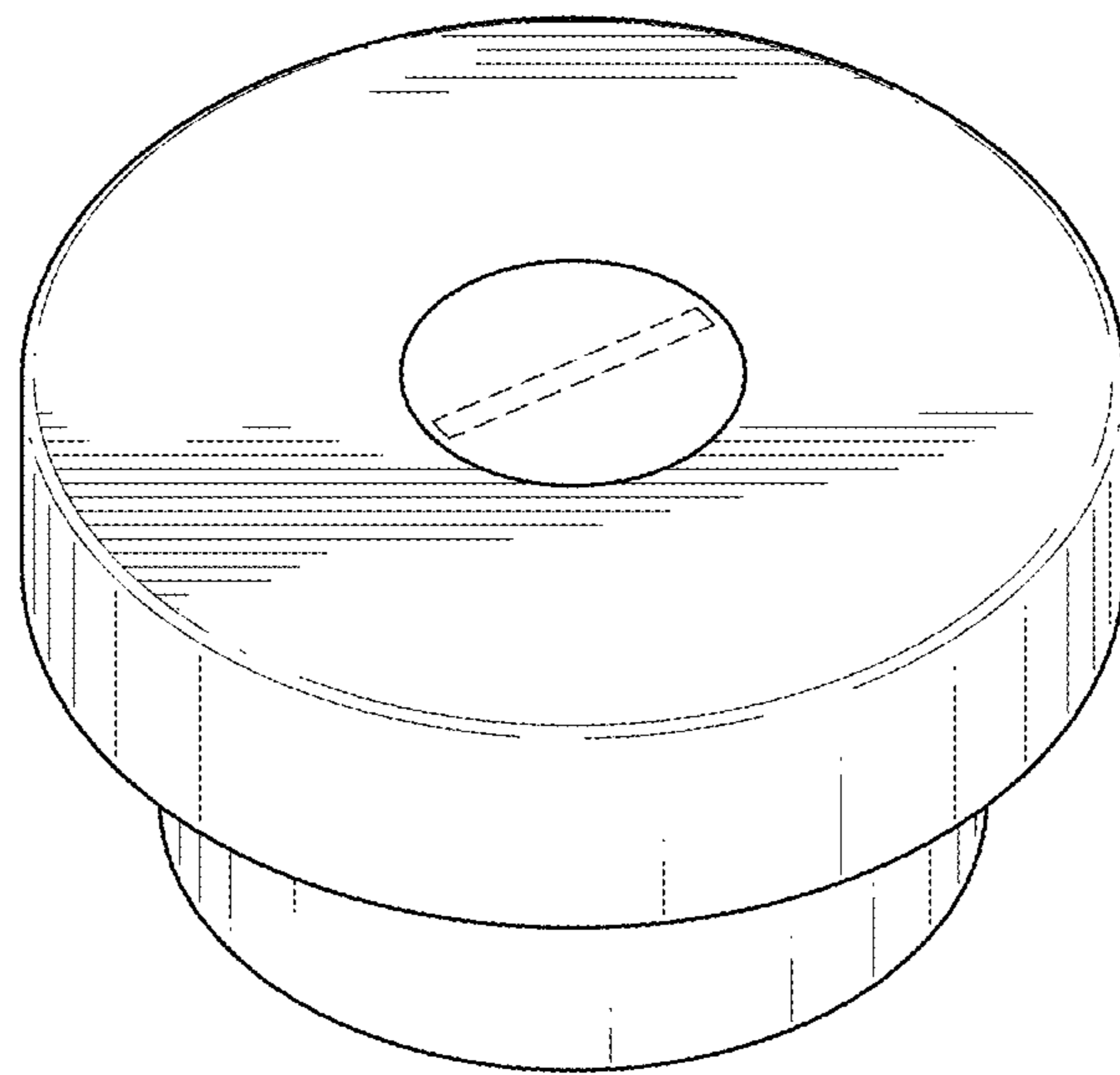


FIG. 6