



US00D712238S

(12) **United States Design Patent**
Moses

(10) **Patent No.:** **US D712,238 S**
(45) **Date of Patent:** **** Sep. 2, 2014**

(54) **FLOATING HEADRAIL BRACKET**

2005/0072371 A1 4/2005 Moreau
2007/0006817 A1 1/2007 Komro
2012/0234257 A1 9/2012 Wollesen

(71) Applicant: **Tags4All Inc.**, Mitchell (CA)

(72) Inventor: **John M. Moses**, Mitchell (CA)

(73) Assignee: **Tags4all Global Inc.**, Mitchell, Ontario (CA)

(**) Term: **14 Years**

(21) Appl. No.: **29/441,732**

(22) Filed: **Jan. 9, 2013**

(51) **LOC (10) Cl.** **03-01**

(52) **U.S. Cl.**
USPC **D8/373**

(58) **Field of Classification Search**
USPC D8/354, 367, 370, 373; 248/300,
248/301-304, 200
See application file for complete search history.

(56) **References Cited**

U.S. PATENT DOCUMENTS

D408,267 S * 4/1999 Egigian et al. D8/354
D446,442 S * 8/2001 Simpson D8/354
6,318,297 B1 11/2001 Hatfield
6,467,434 B1 10/2002 Dejonge
D510,258 S * 10/2005 Glass et al. D8/373

FOREIGN PATENT DOCUMENTS

CA 2775375 11/2010
DE 195 47 372 7/1997
EP 0 447 822 9/1991
EP 1 579 760 9/2005
WO 98/41085 9/1998
WO 2009/052829 4/2009
WO 2010/133226 11/2010

* cited by examiner

Primary Examiner — Holly Baynham

(57) **CLAIM**

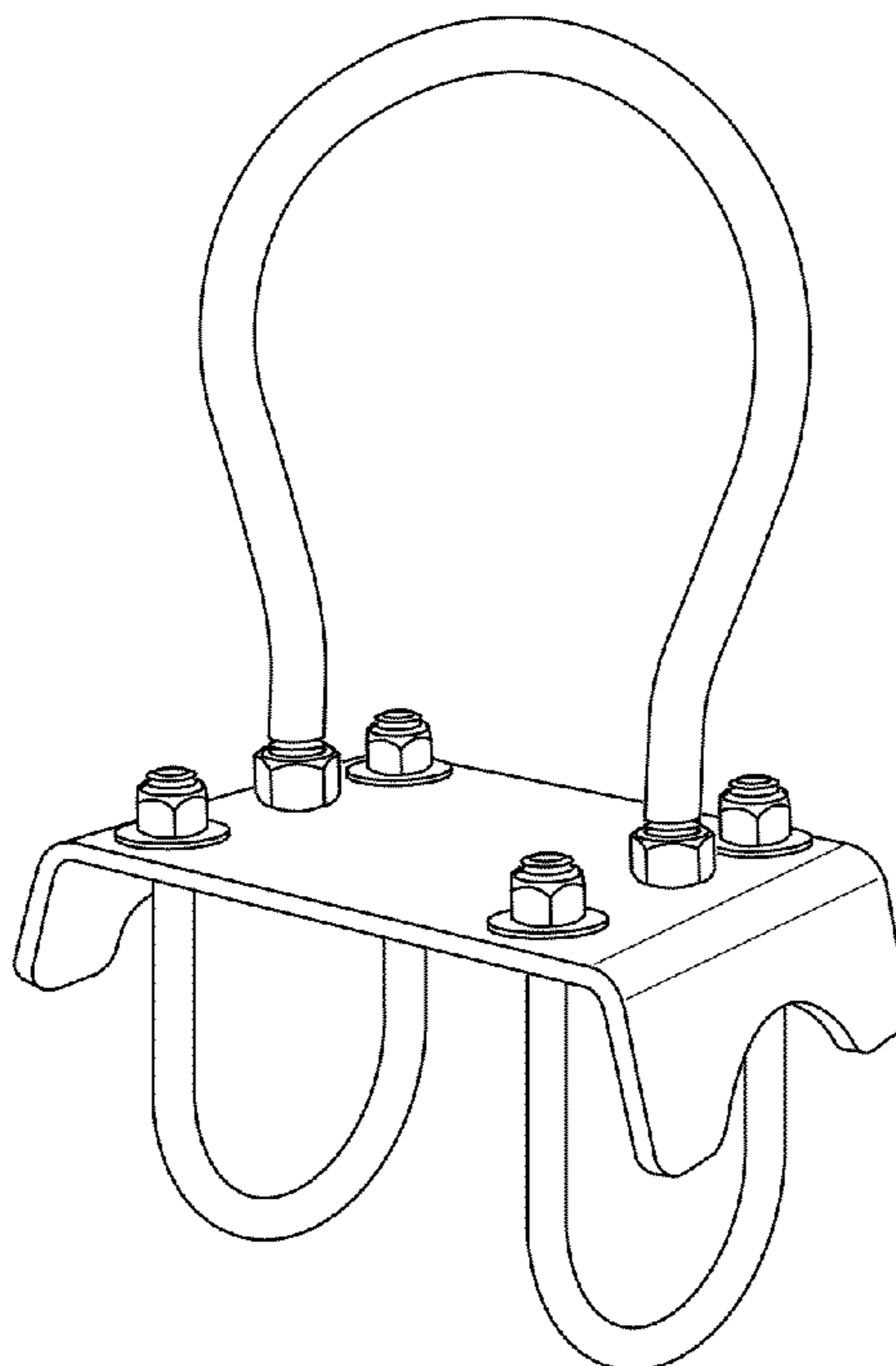
The ornamental design for a floating headrail bracket, as shown and described.

DESCRIPTION

FIG. 1 is an isometric view of the floating headrail bracket; FIG. 2 is another isometric view thereof; FIG. 3 is a side view thereof; FIG. 4 is a front view thereof; FIG. 5 is a top view thereof; and, FIG. 6 is a bottom view thereof.

The broken lines showing a partial pipe are for the purposes of illustrating environment and form no part of the claimed design.

1 Claim, 3 Drawing Sheets



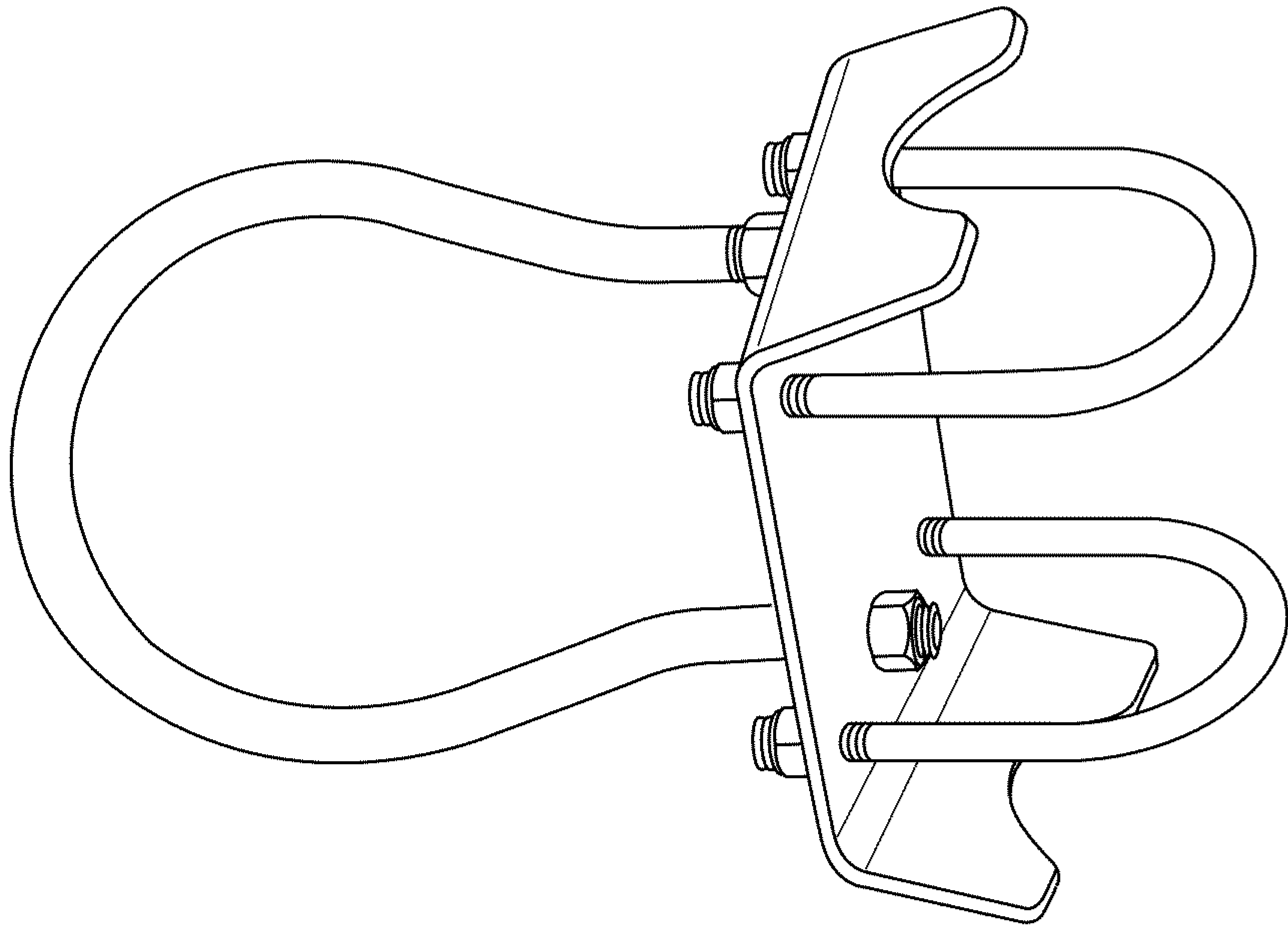


FIG. 2

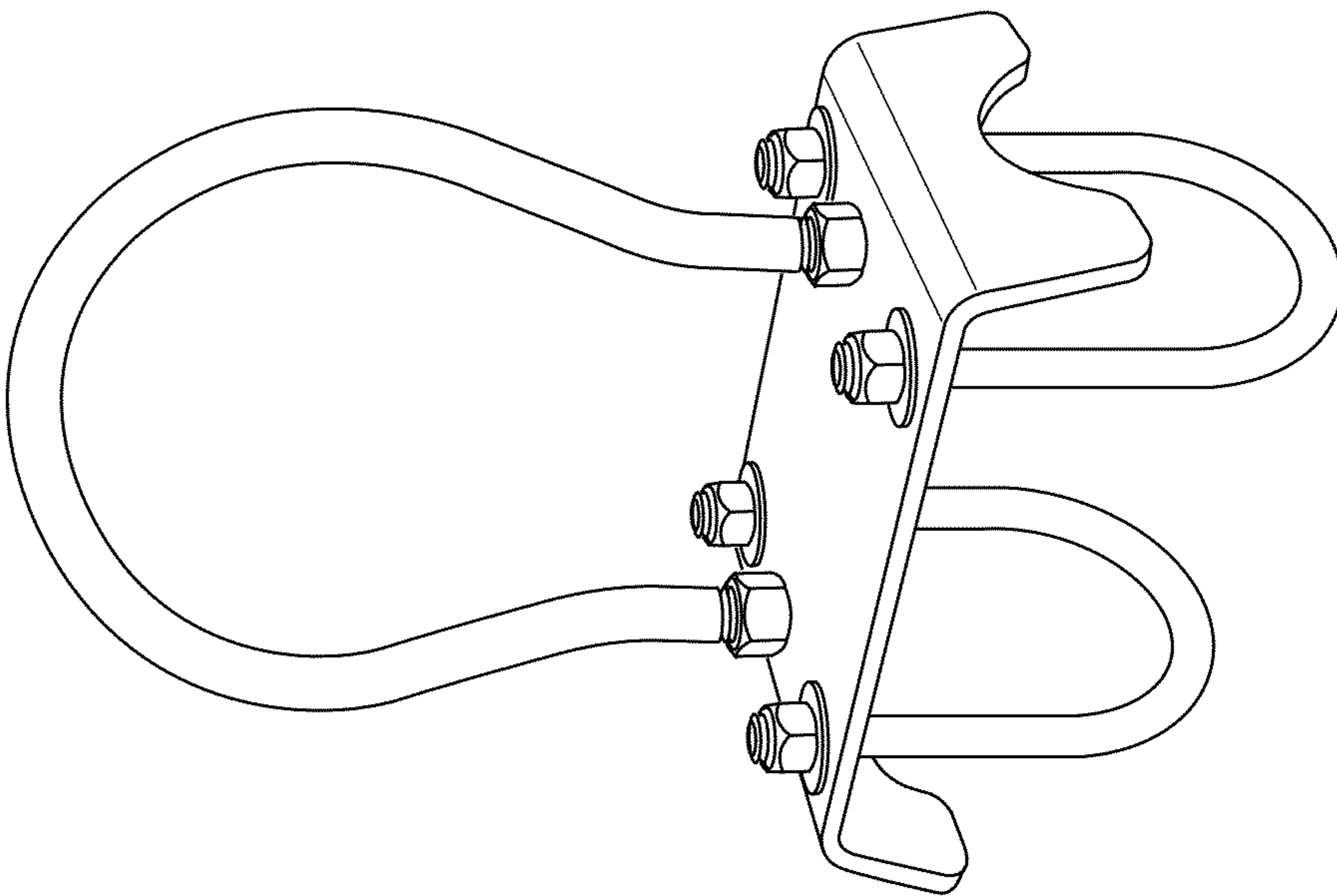


FIG. 1

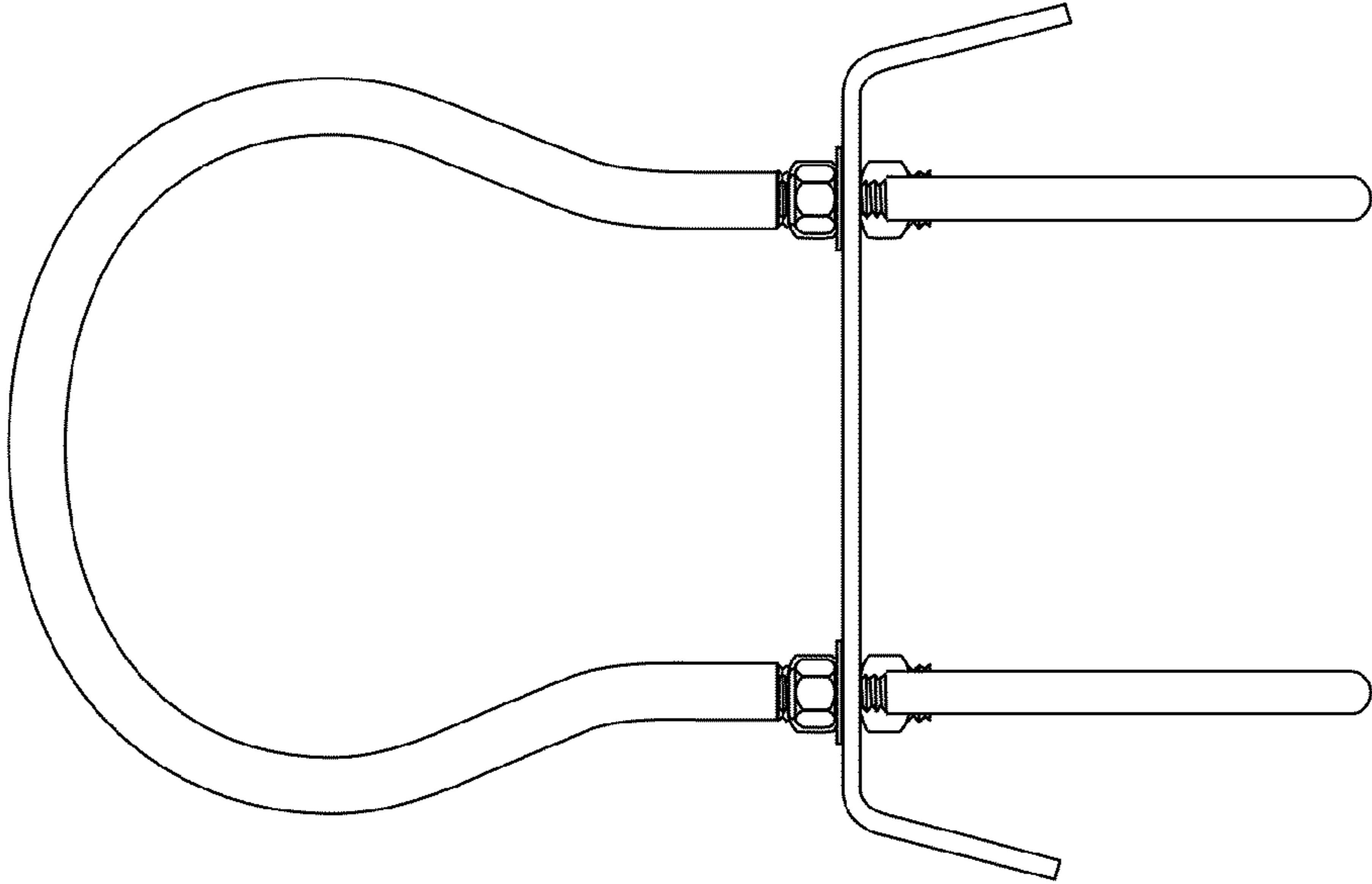


FIG. 4

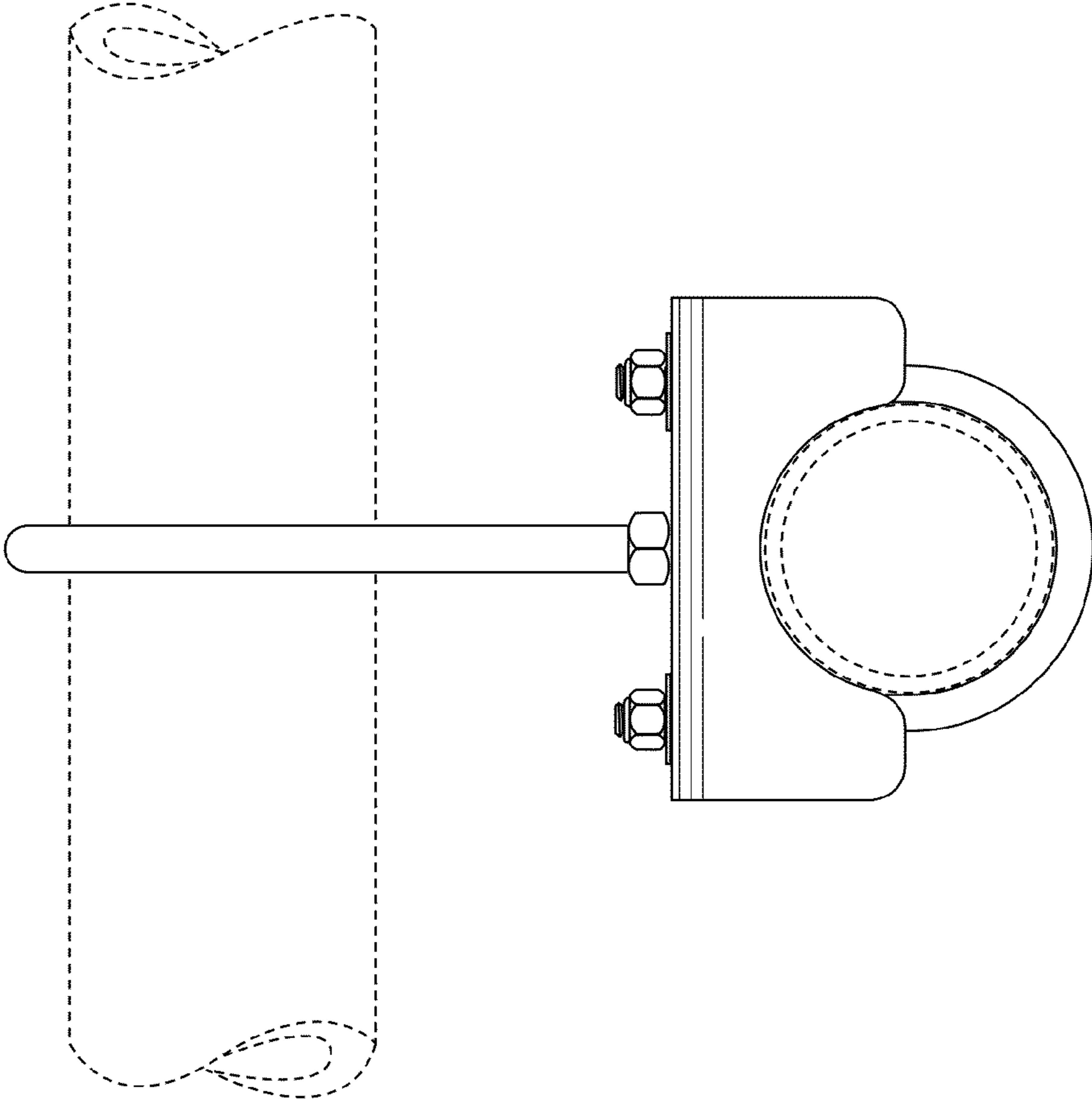


FIG. 3

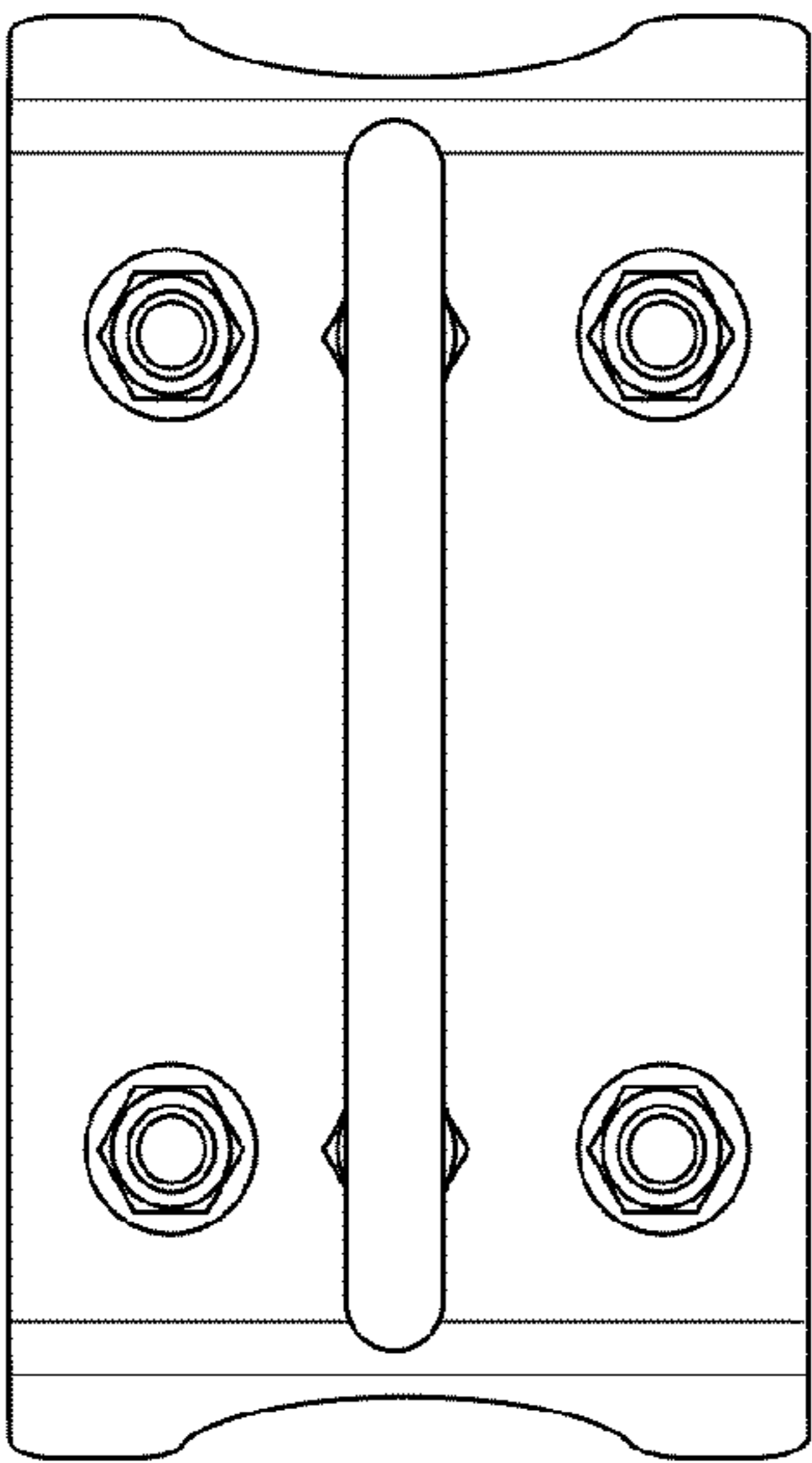


FIG. 5

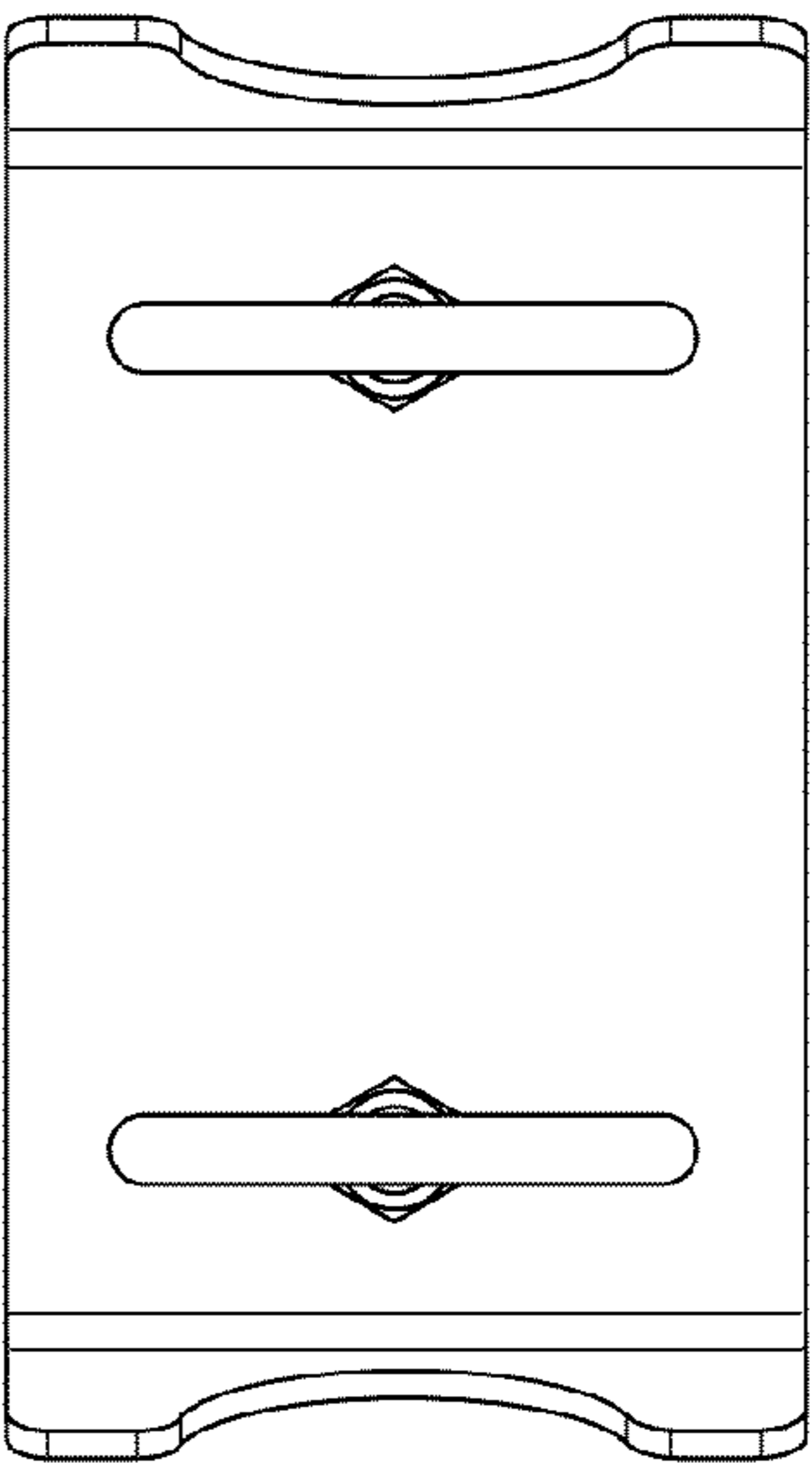


FIG. 6