



US00D712237S

(12) **United States Design Patent**
Collins

(10) **Patent No.:** **US D712,237 S**
(45) **Date of Patent:** **** Sep. 2, 2014**

- (54) **MULTI-FUNCTIONAL HOOKS**
- (71) Applicant: **Liberty Hardware Mfg. Corp.,**
Winston-Salem, NC (US)
- (72) Inventor: **Jessina Collins,** Chicago, IL (US)
- (73) Assignee: **Liberty Hardware Mfg. Corp.,**
Winston-Salem, NC (US)
- (**) Term: **14 Years**
- (21) Appl. No.: **29/478,759**
- (22) Filed: **Jan. 8, 2014**
- (51) **LOC (10) Cl.** **08-05**
- (52) **U.S. Cl.**
USPC **D8/372**
- (58) **Field of Classification Search**
CPC A47G 25/0635; A47G 25/0607; A47G
25/06; A47K 10/12
USPC D6/315, 318, 319, 320, 323, 512, 513;
D8/71, 367, 372, 380; 248/682, 200,
248/205.1, 205.4, 207, 211
See application file for complete search history.

(56) **References Cited**

U.S. PATENT DOCUMENTS

D19,322 S	*	10/1889	Campbell	D8/372
D37,390 S	*	4/1905	Nuezel	D6/323
D156,600 S	*	12/1949	Brown	D8/372
D390,012 S	*	2/1998	Goodman et al.	D6/323

D456,695 S	*	5/2002	Goodman et al.	D8/367
D461,706 S	*	8/2002	Goodman et al.	D8/372
D465,661 S	*	11/2002	Hoernig	D6/323
D465,998 S	*	11/2002	Goodman et al.	D8/372
D479,796 S	*	9/2003	Snell	D8/372
D671,819 S	*	12/2012	Kwok et al.	D8/367
D672,636 S	*	12/2012	Krumpe	D8/367
D672,974 S	*	12/2012	Krumpe	D6/323
D692,244 S	*	10/2013	Romero et al.	D6/323
2013/0037672 A1	*	2/2013	Sanchez	248/303

* cited by examiner

Primary Examiner — Deanna L Pratt

Assistant Examiner — Ieisha Price

(74) *Attorney, Agent, or Firm* — Lora J. Graentzdoerffer

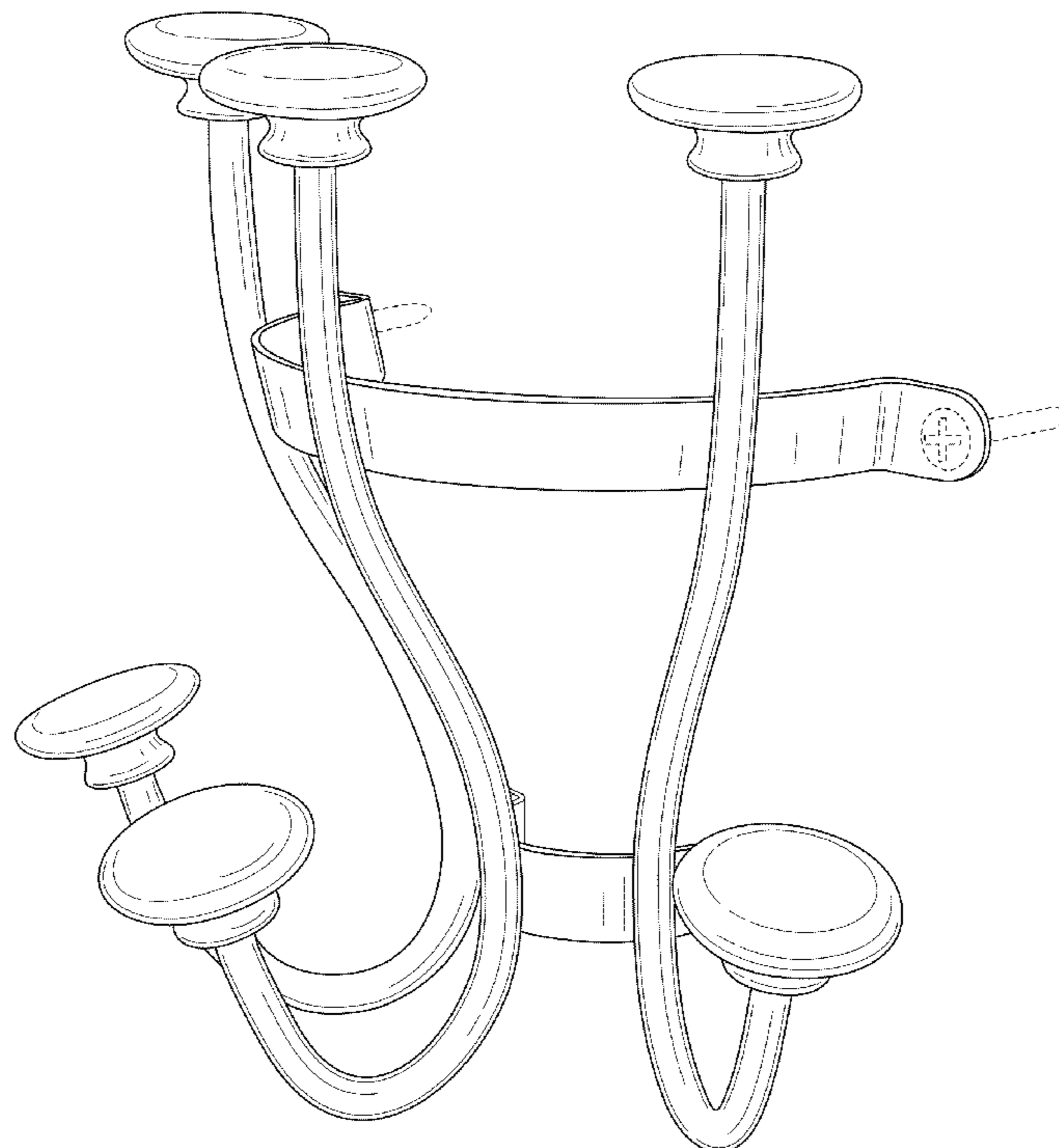
(57) **CLAIM**

The ornamental design for multi-functional hooks, as shown and described.

DESCRIPTION

FIG. 1 is a perspective view of multi-functional hooks showing my design;
 FIG. 2 is a front elevational view;
 FIG. 3 is a right side elevational view;
 FIG. 4 is a left side elevational view;
 FIG. 5 is a top plan view; and,
 FIG. 6 is a bottom plan view.
 The broken lines showing screws are for the purposes of illustrating environment and form no part of the claimed design.

1 Claim, 6 Drawing Sheets



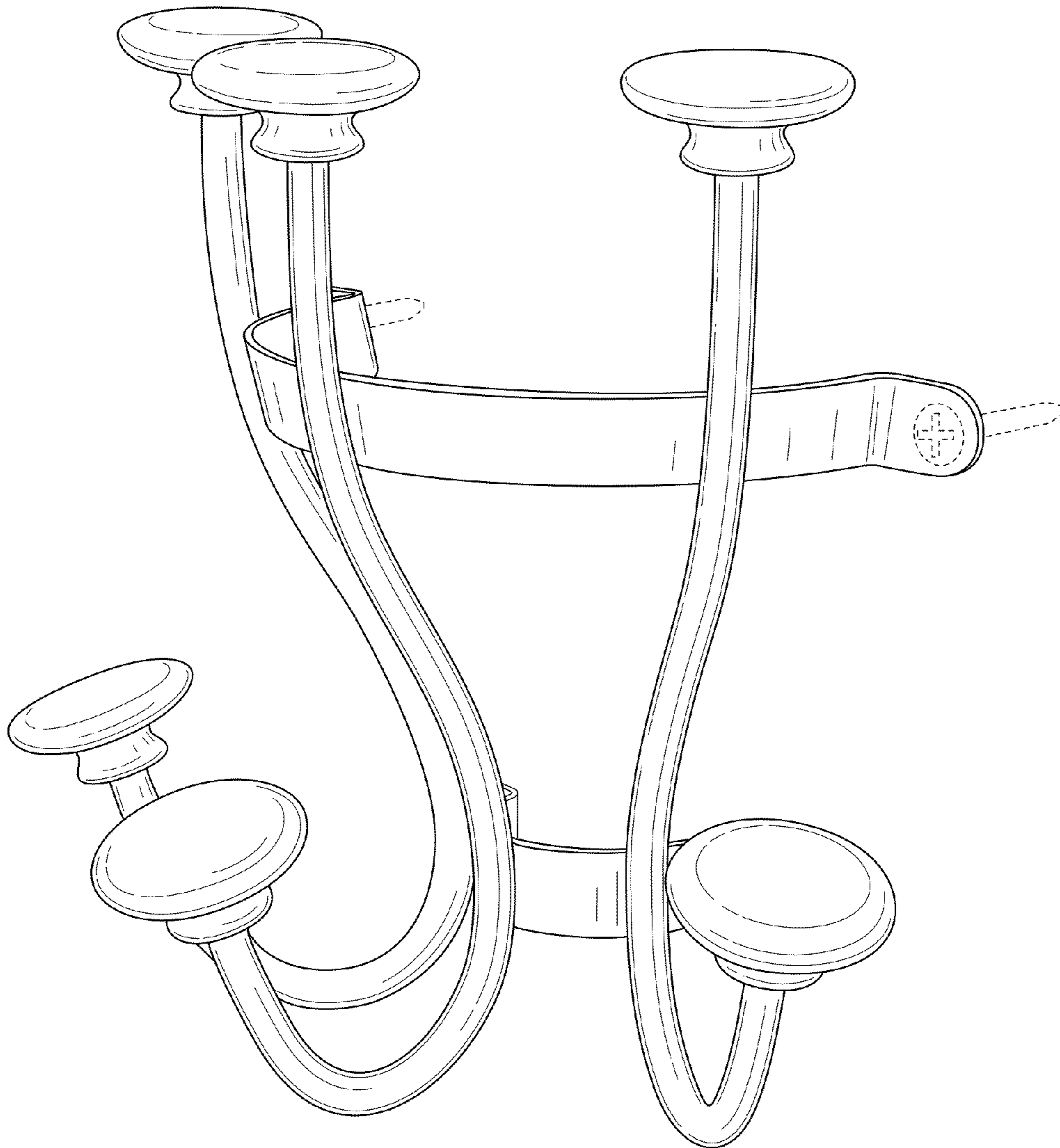


FIG. 1

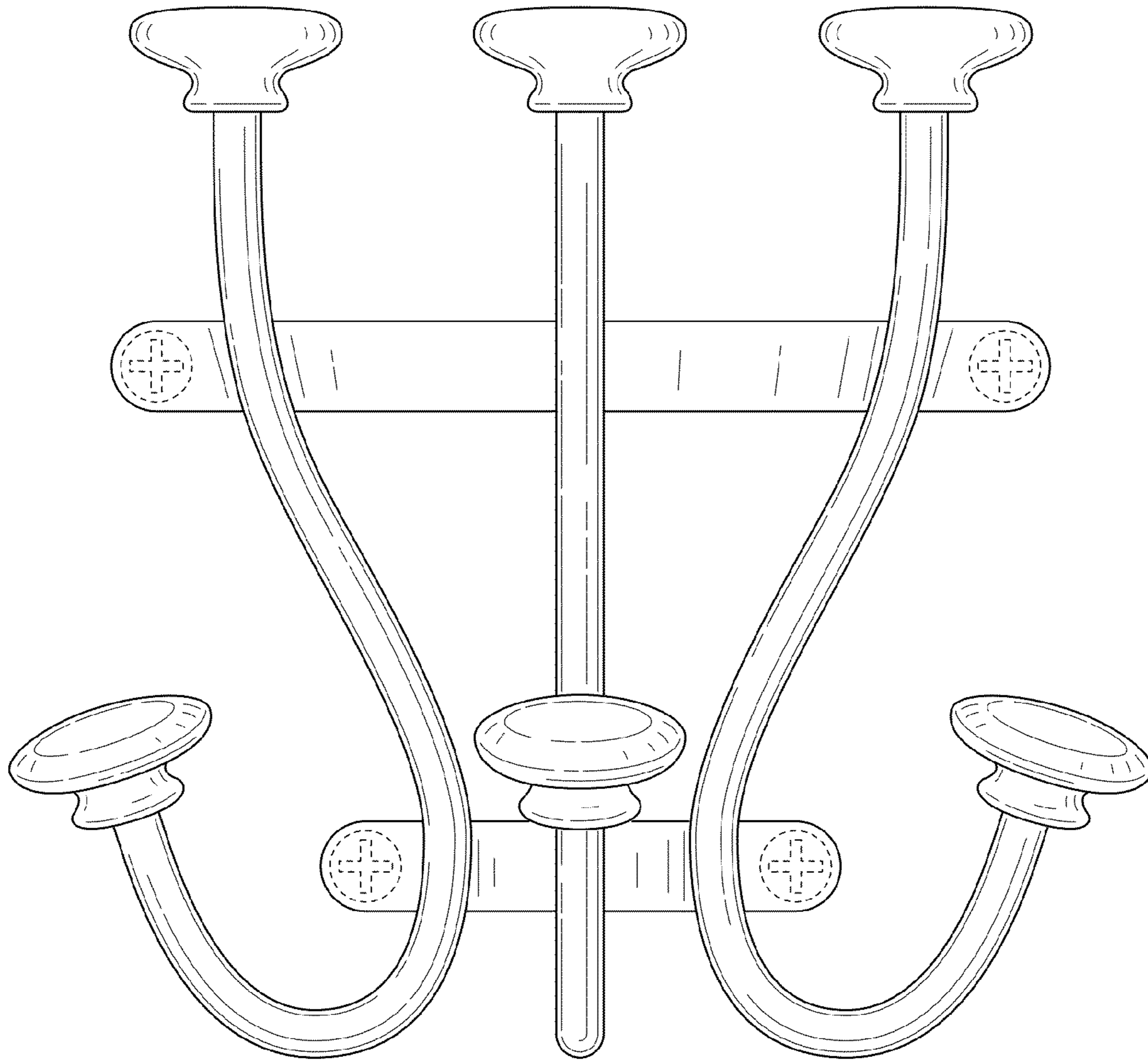


FIG. 2

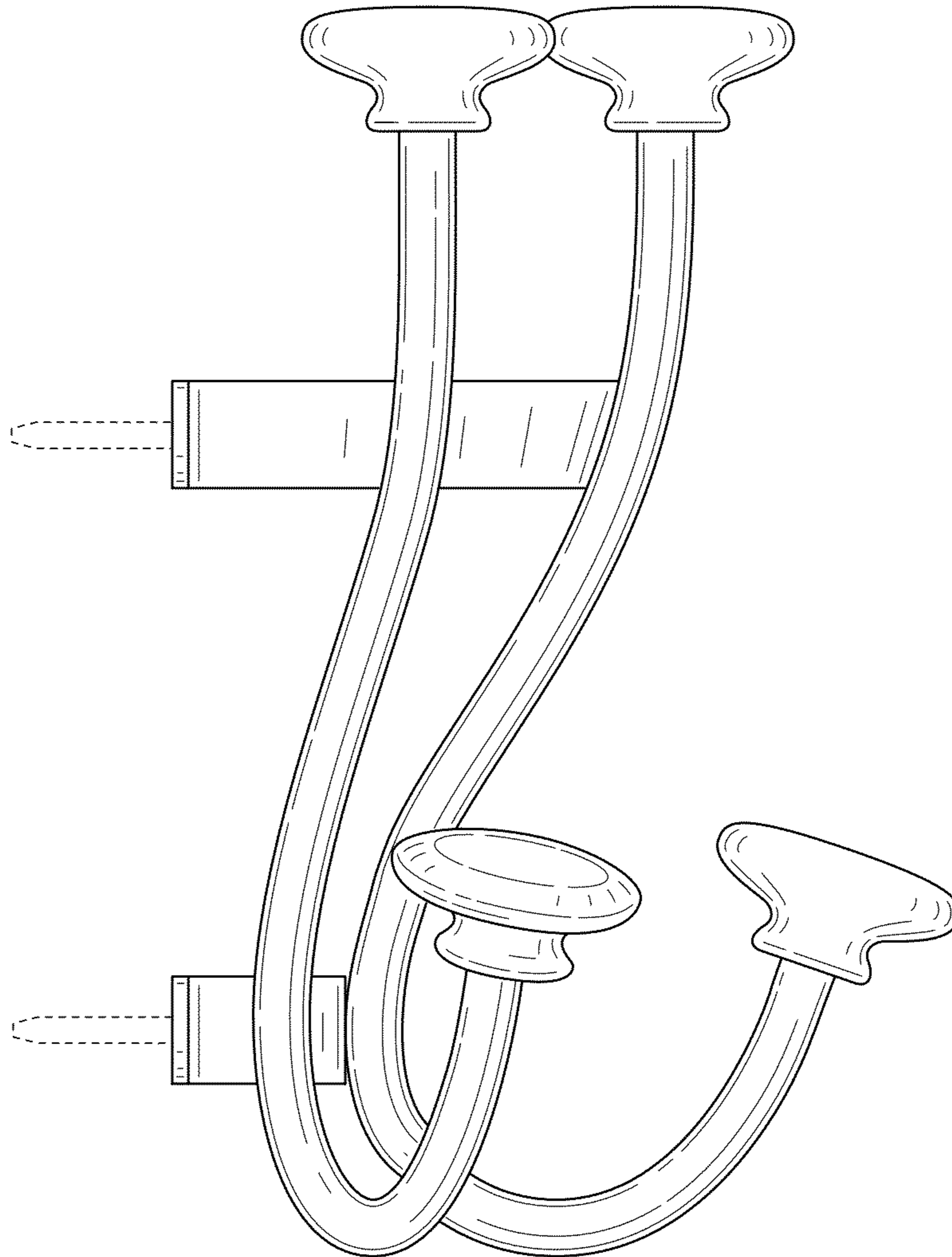


FIG. 3

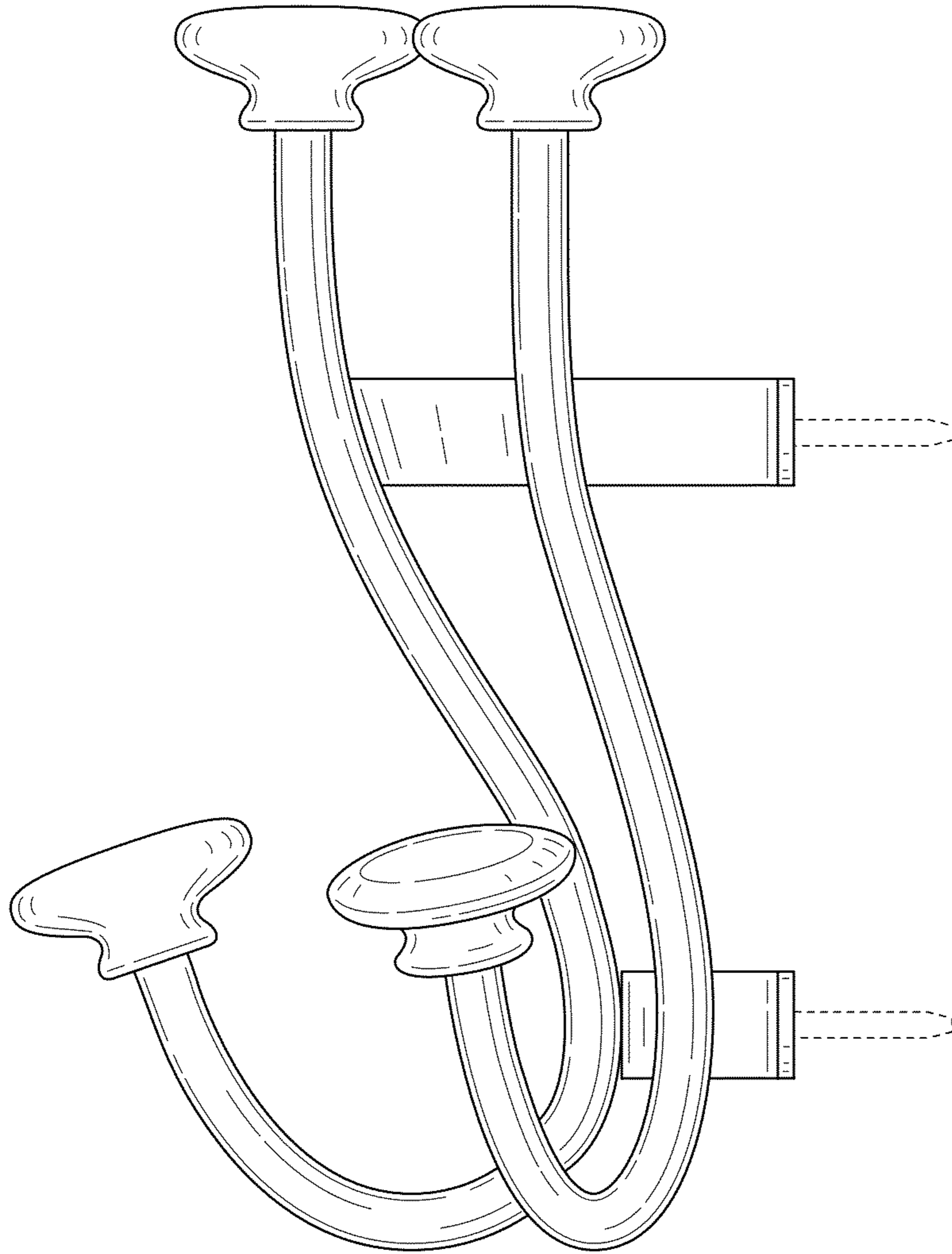


FIG. 4

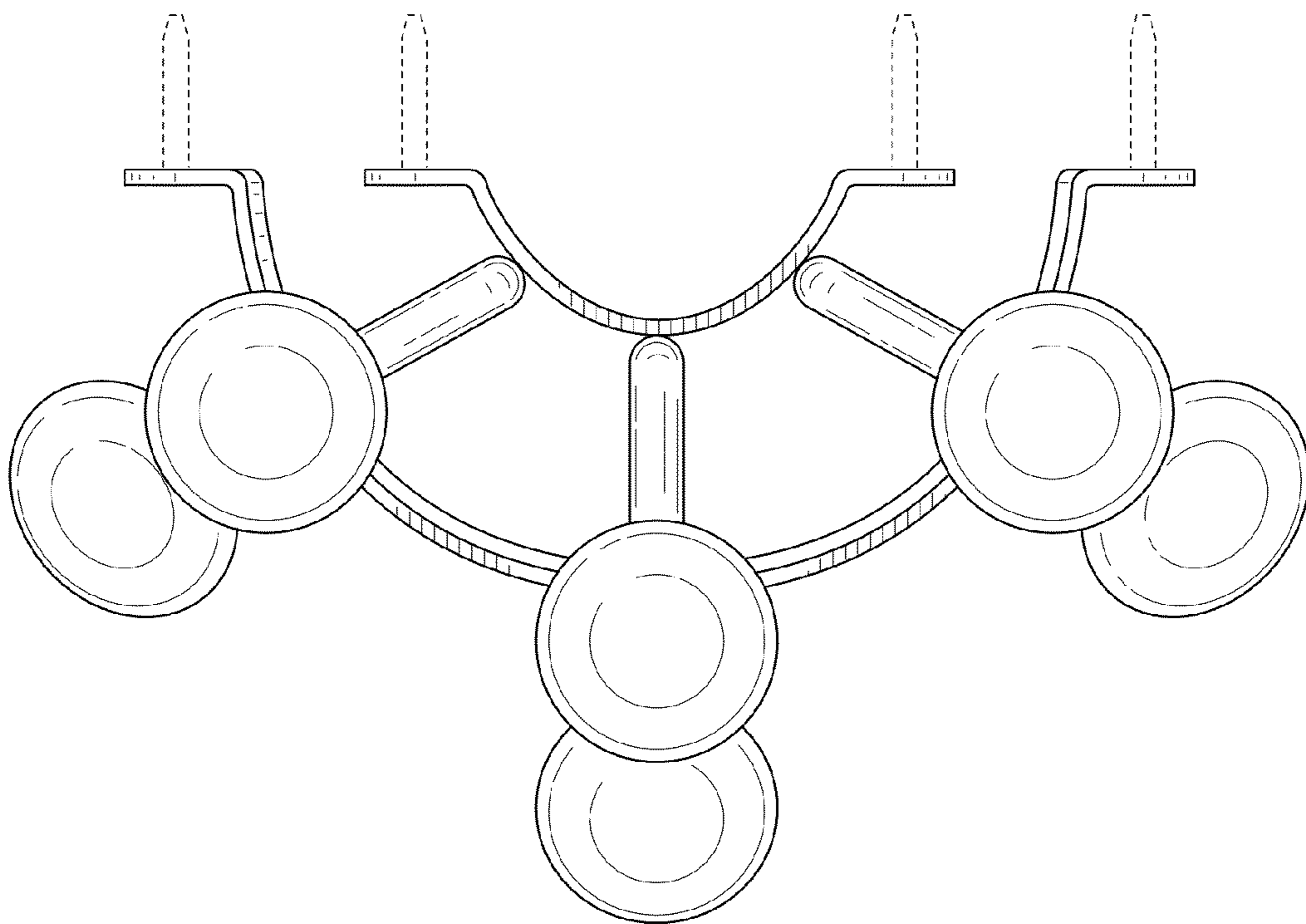


FIG. 5

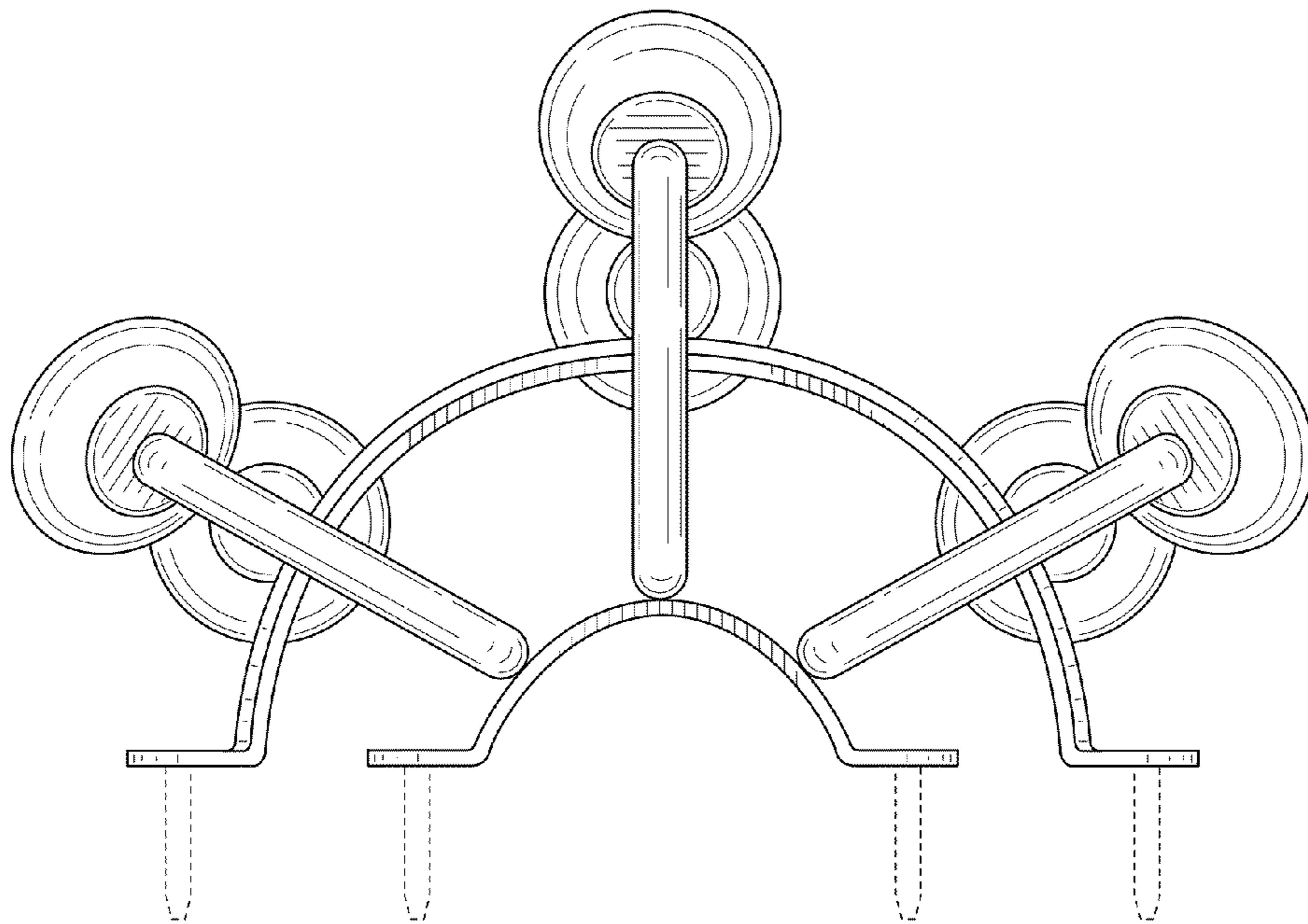


FIG. 6