



US00D712236S

(12) **United States Design Patent**
Blaszczak et al.

(10) **Patent No.:** **US D712,236 S**

(45) **Date of Patent:** **** Sep. 2, 2014**

(54) **HOSE BOX**

(71) Applicant: **Ames True Temper, Inc.**, Camp Hill, PA (US)

(72) Inventors: **Gregory J. Blaszczak**, Hummelstown, PA (US); **Peter Arcati**, Dillsburg, PA (US); **Daniel Frank Marshall**, Enola, PA (US); **Eric Daniel Hyp**, Grandville, MI (US); **Nicholas Loughran**, York, PA (US)

(73) Assignee: **The Ames Companies, Inc.**, Camp Hill, PA (US)

(**) Term: **14 Years**

(21) Appl. No.: **29/466,718**

(22) Filed: **Sep. 11, 2013**

(51) **LOC (10) Cl.** **08-05**

(52) **U.S. Cl.**
USPC **D8/359**

(58) **Field of Classification Search**
USPC D8/359, 358, 357; D10/107; 206/389; D3/274; 242/390.8, 395, 395.1, 397.5, 242/405.2, 406; D99/40; 137/355.2, 137/355.27, 355.26; 248/349.1; D34/7, 1, D34/2, 3, 4

See application file for complete search history.

(56) **References Cited**

U.S. PATENT DOCUMENTS

D383,278 S * 9/1997 Jennings D34/1
D418,739 S * 1/2000 Whitehead et al. D8/359

6,050,291 A * 4/2000 Whitehead et al. 137/355.26
D432,002 S * 10/2000 Anderson et al. D8/359
D492,857 S * 7/2004 Harwanko D6/432
D534,327 S * 12/2006 Messier D34/1
7,377,289 B1 * 5/2008 English et al. 137/355.2
D667,292 S * 9/2012 Donnelly et al. D8/359
D669,765 S * 10/2012 Donnelly et al. D8/359
D681,349 S * 5/2013 Anderson et al. D5/43
D682,072 S 5/2013 Blaszczak et al.
2012/0291882 A1 * 11/2012 Vogler et al. 137/355.2

OTHER PUBLICATIONS

Ames True Temper, Inc., "Lawn & Garden Tools—Since 1774 the full line Supplement," Hose Reel Collection, 2006, 3 pages.

* cited by examiner

Primary Examiner — Robert M Spear

Assistant Examiner — Eliza Bennett-Hattan

(74) *Attorney, Agent, or Firm* — Eckert Seamans Cherin & Mellott, LLC; David C. Jenkins

(57) **CLAIM**

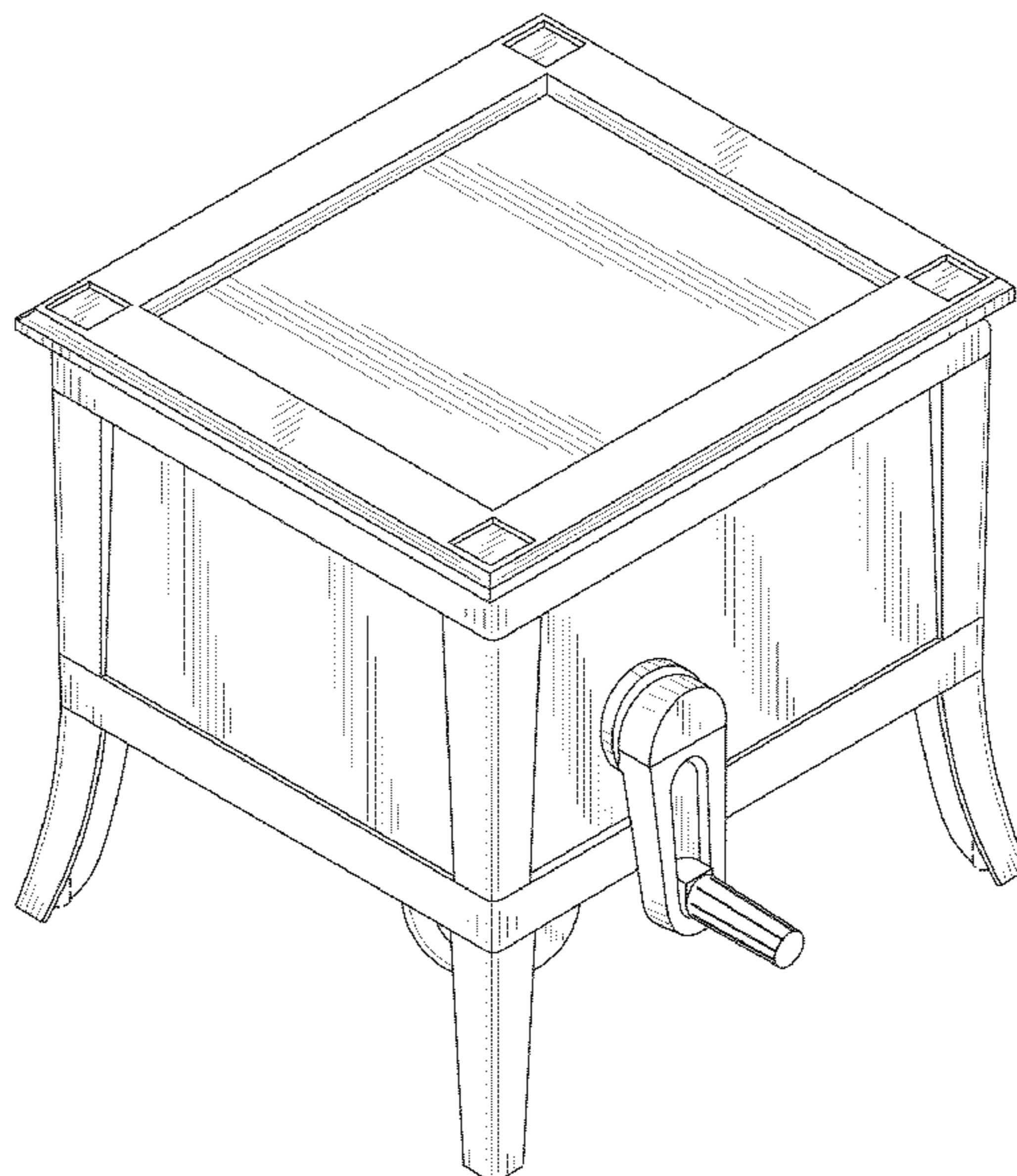
The ornamental design for a hose box, as shown and described.

DESCRIPTION

FIG. 1 is an isometric view of a hose box;
FIG. 2 is a front side view of a hose box;
FIG. 3 is a back side view of a hose box;
FIG. 4 is a top side view of a hose box;
FIG. 5 is a bottom side view of a hose box;
FIG. 6 is a right side view of a hose box; and,
FIG. 7 is a left side view of a hose box.

The broken lines in the drawings depict environmental subject matter only and form no part of the claimed design.

1 Claim, 7 Drawing Sheets



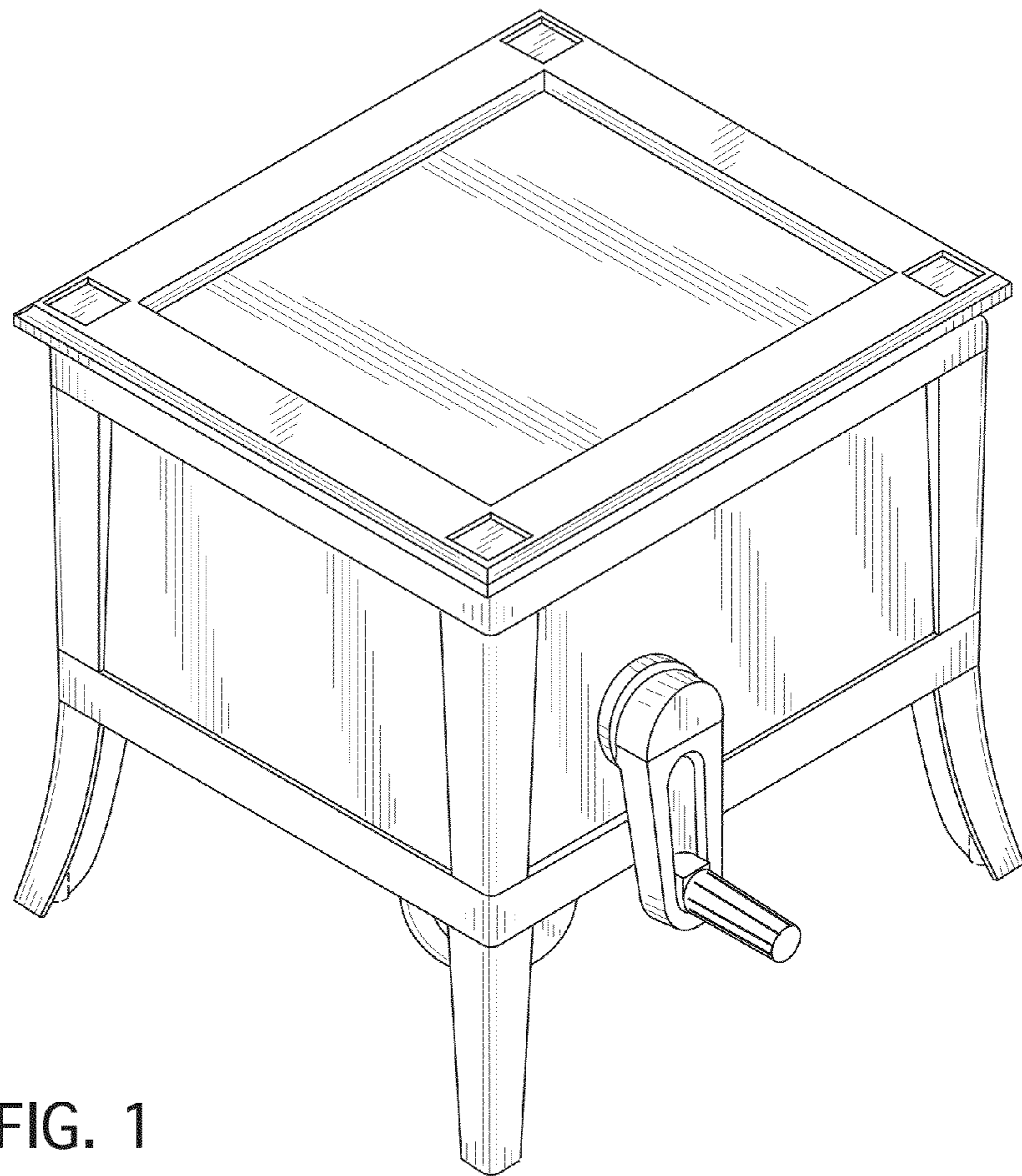


FIG. 1

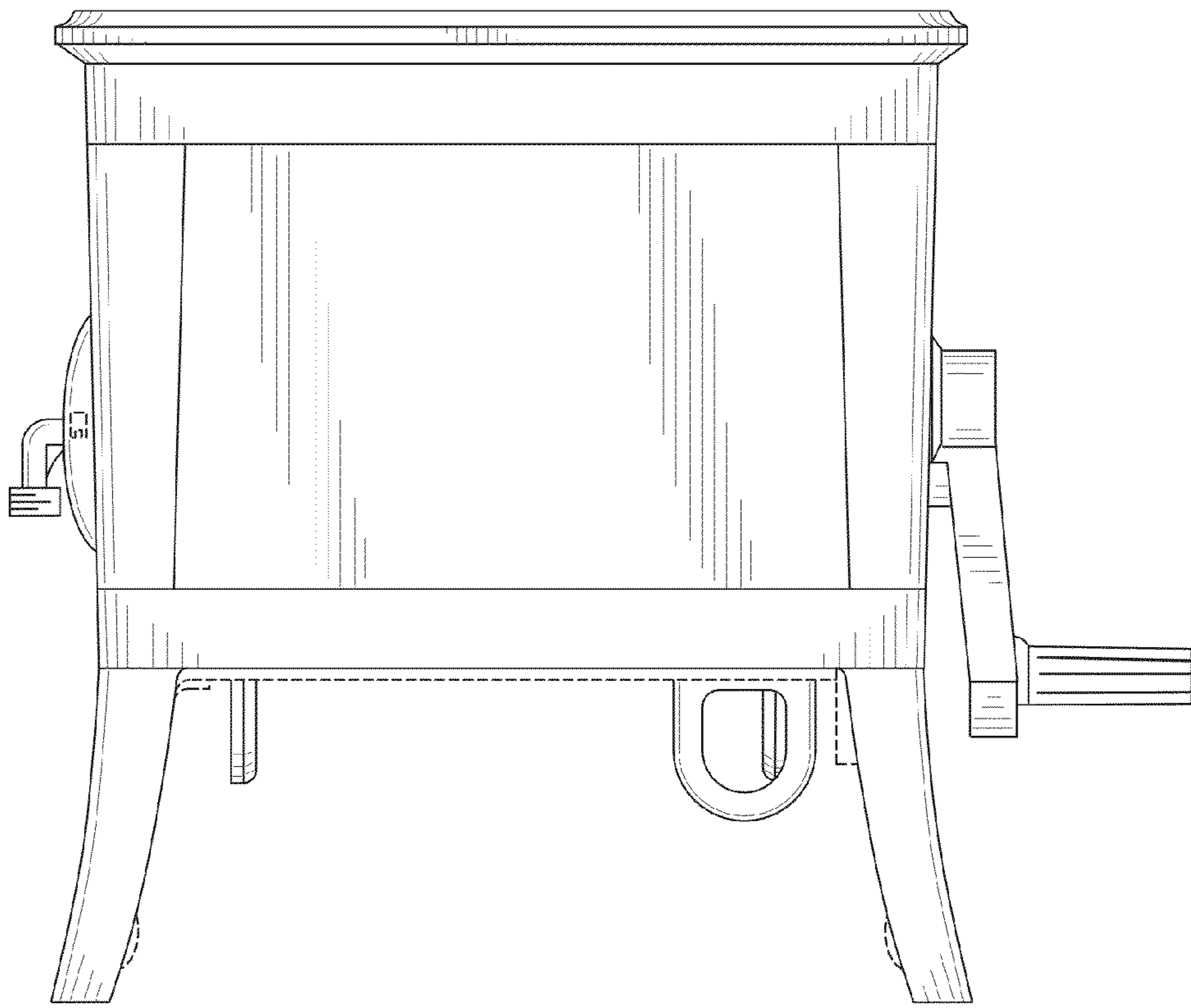


FIG. 2

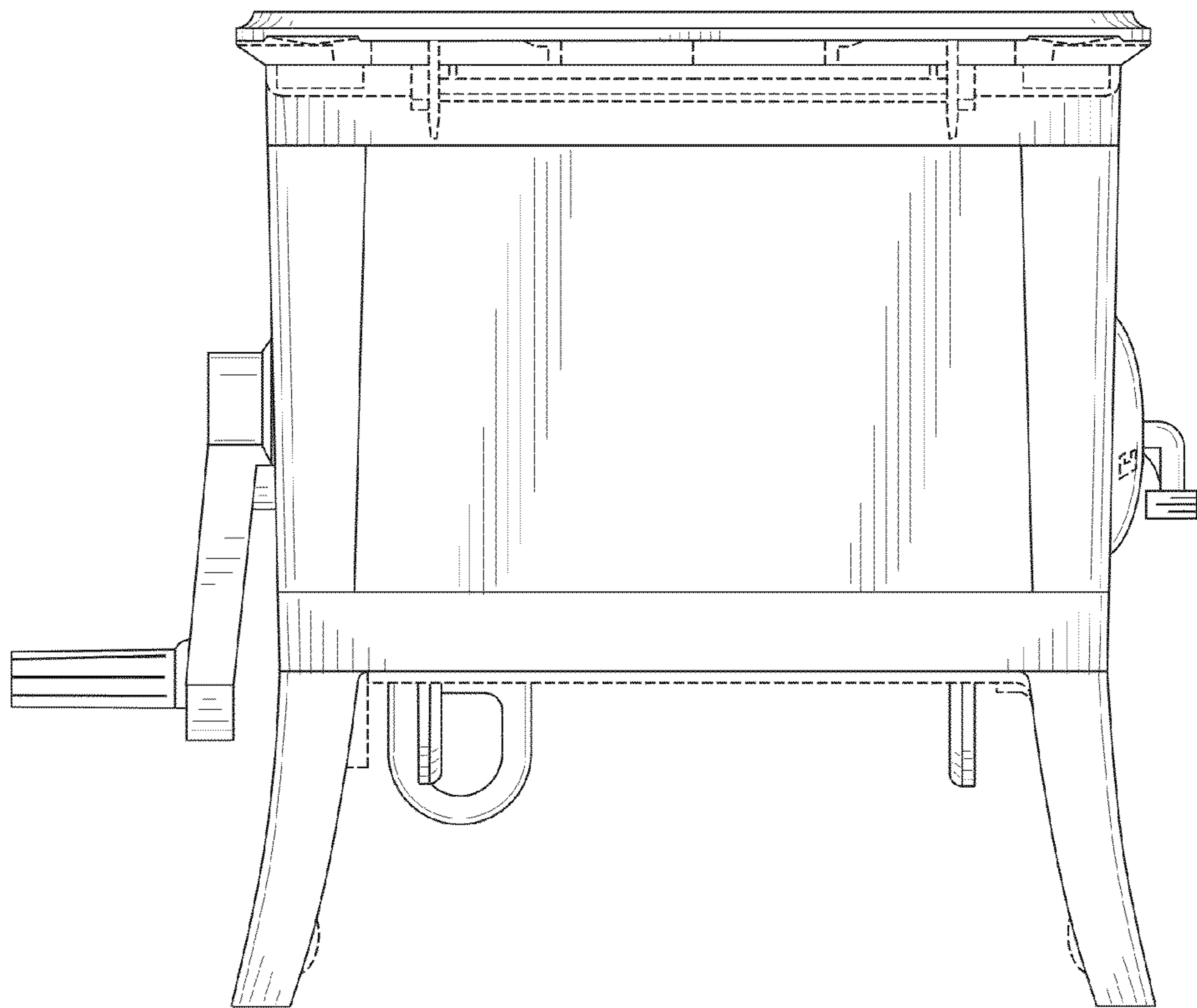


FIG. 3

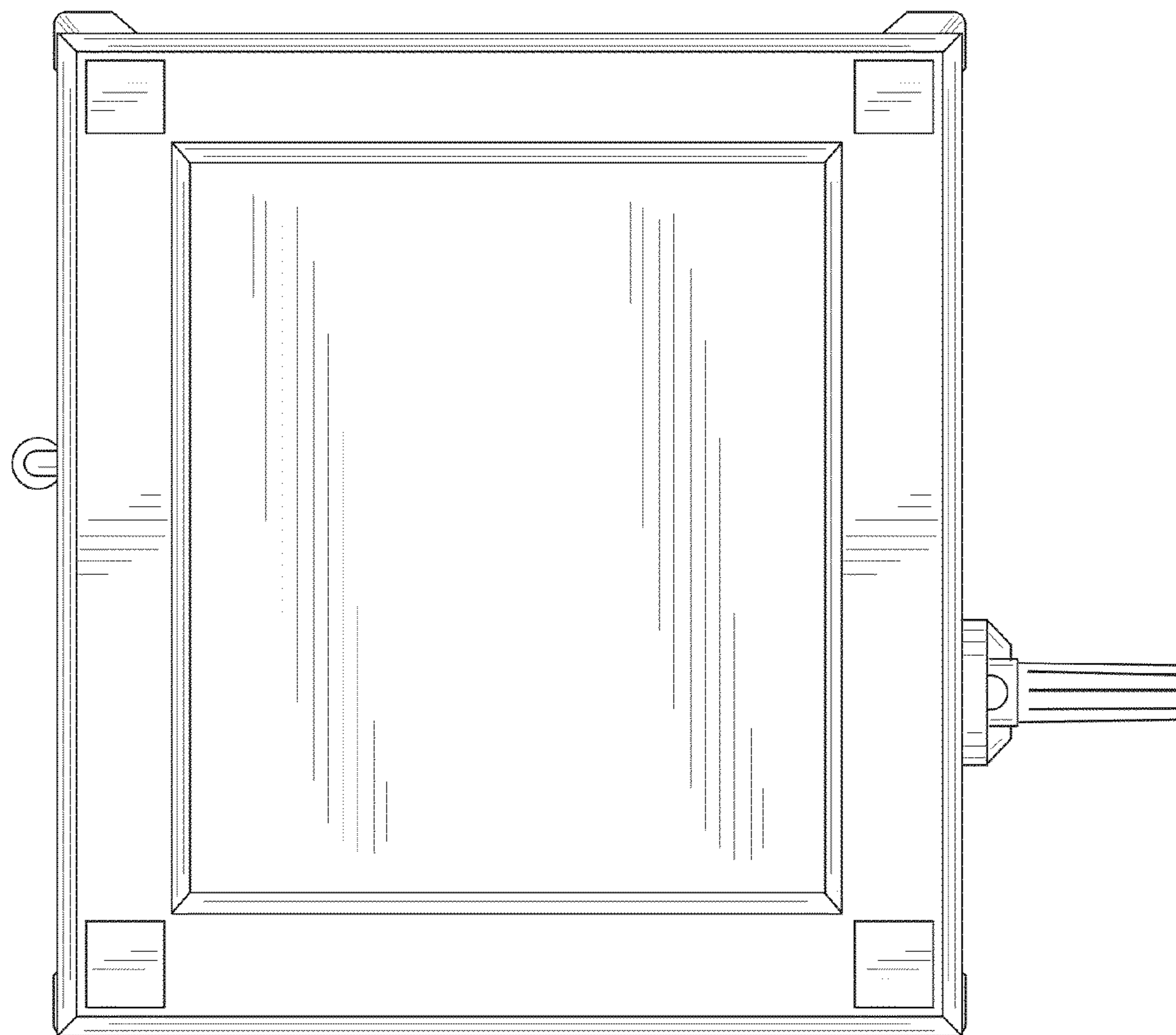


FIG. 4

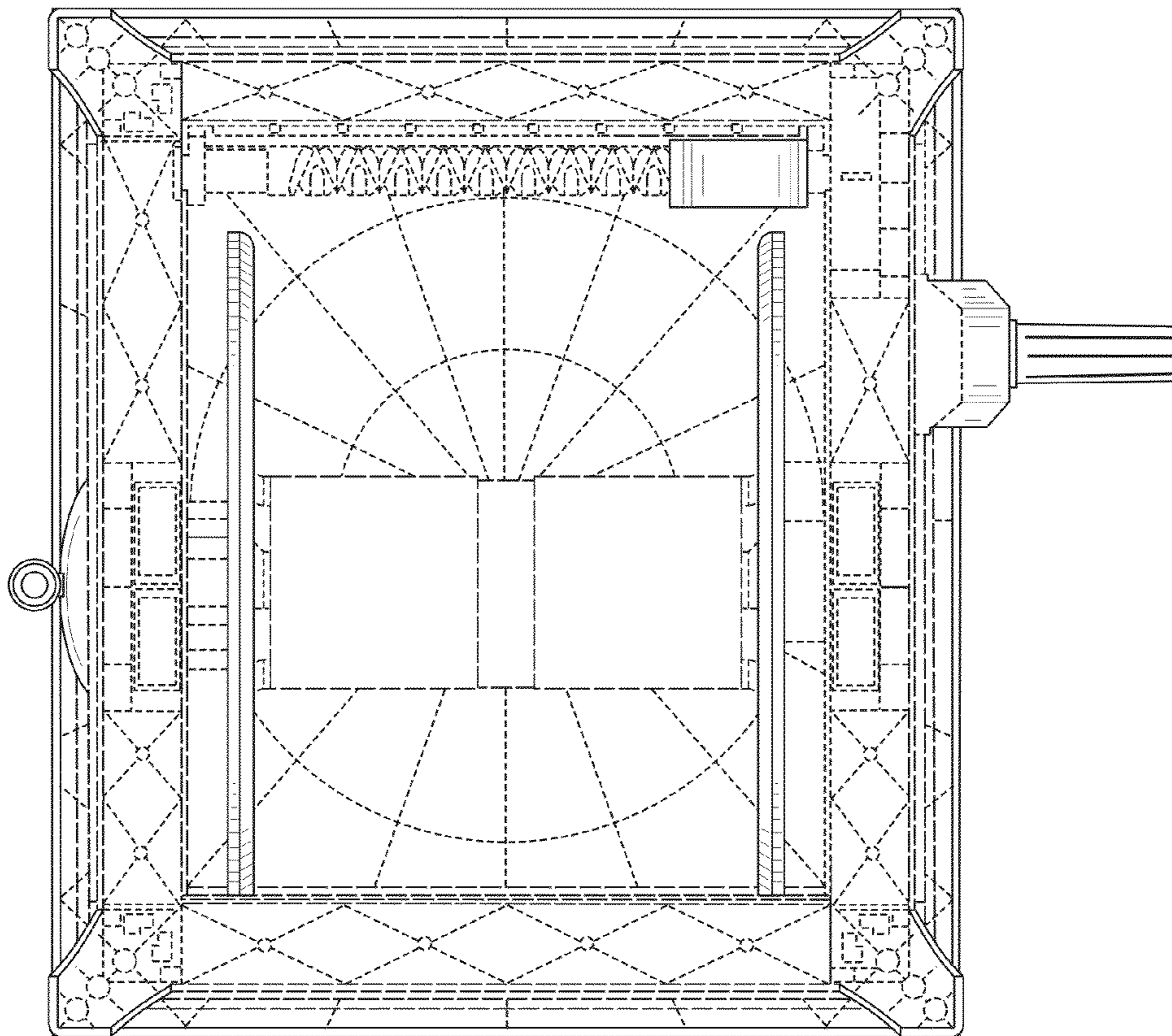


FIG. 5

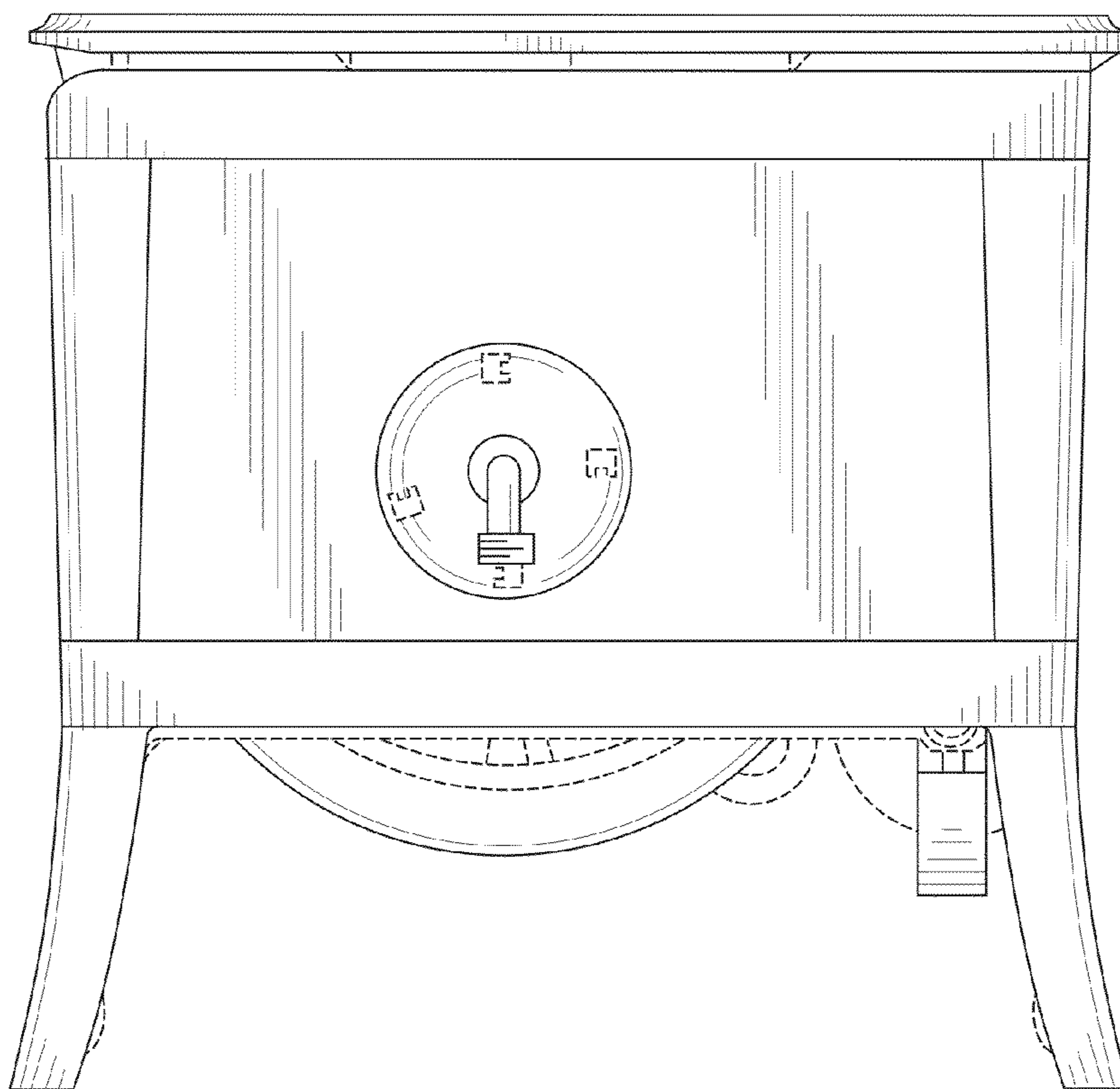


FIG. 6

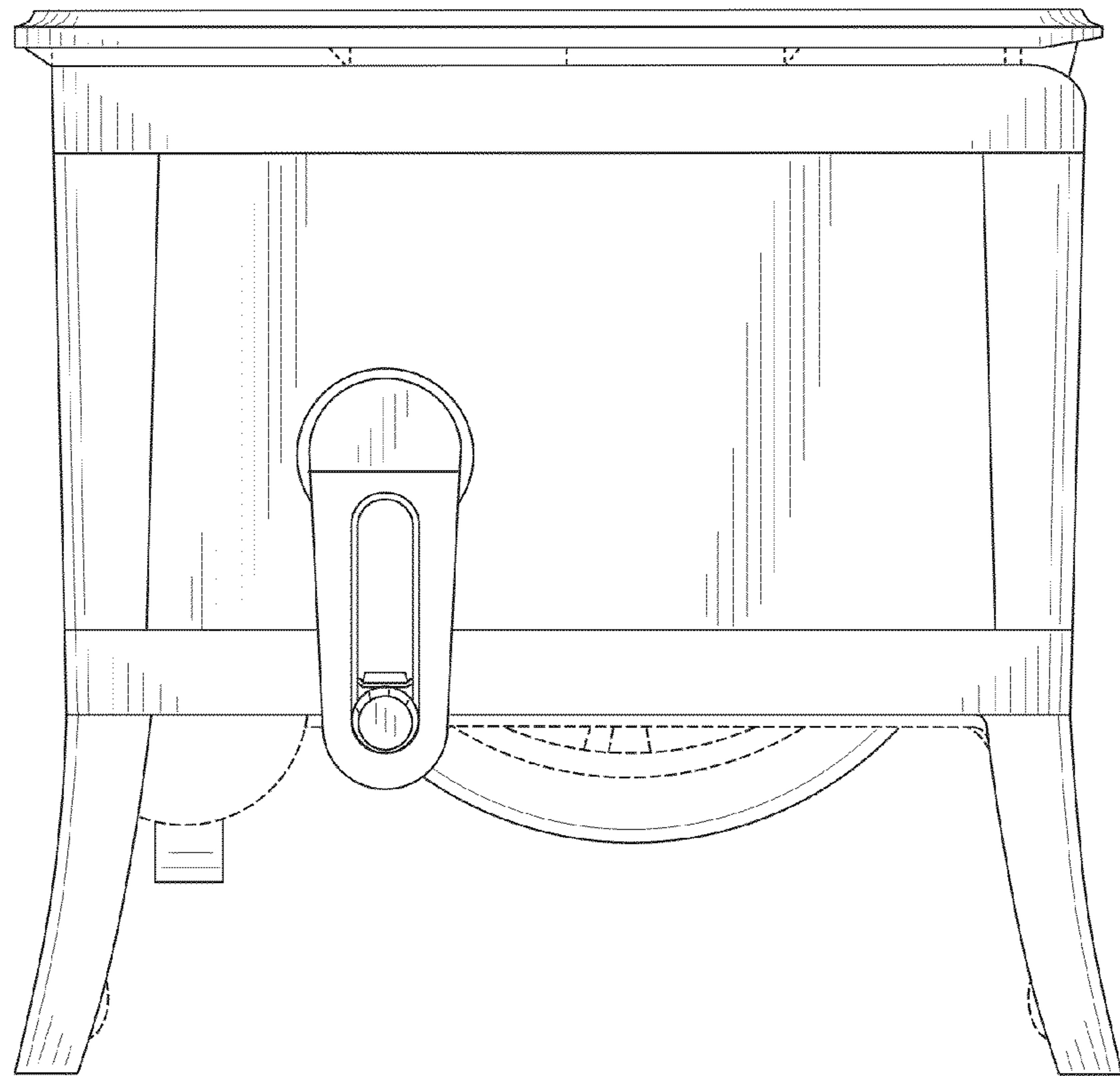


FIG. 7