



US00D712233S

(12) **United States Design Patent**
Pittman

(10) **Patent No.:** **US D712,233 S**

(45) **Date of Patent:** **** Sep. 2, 2014**

(54) **SLING LATCH**

(71) Applicant: **Impact Weapons Components, LLC,**
Timnath, CO (US)

(72) Inventor: **Earl L. Pittman,** Fort Collins, CO (US)

(73) Assignee: **Impact Weapons Components, LLC,**
Timnath, CO (US)

(**) Term: **14 Years**

(21) Appl. No.: **29/443,143**

(22) Filed: **Jan. 14, 2013**

(51) **LOC (10) Cl.** **08-07**

(52) **U.S. Cl.**
USPC **D8/331; D8/343**

(58) **Field of Classification Search**
USPC D8/330, 331, 333, 336, 343, 346, 349,
D8/302; 70/14, 20, 2, 51-56, 57, 57.1,
70/141, 142, 224, 237, 266, 431, DIG. 9,
70/DIG. 4, DIG. 26, DIG. 80, 159, 162,
70/116, 208, 209, 221; 292/2, 32, 281,
292/288, 289, 358, 359, DIG. 5, 48, 198,
292/240, 217, 210, 216, DIG. 22, DIG. 37,
292/DIG. 43, 61

See application file for complete search history.

(56) **References Cited**

U.S. PATENT DOCUMENTS

6,102,242	A *	8/2000	Jansen	220/619
6,279,972	B1 *	8/2001	Brill et al.	292/216
6,601,883	B1 *	8/2003	Kalsi	292/216
D562,670	S *	2/2008	Rogers et al.	D8/330
7,380,844	B2 *	6/2008	Berghahn et al.	292/201
7,506,907	B1 *	3/2009	Marler	294/82.31
D615,844	S *	5/2010	Wiora	D8/343
D665,244	S *	8/2012	Weinerman et al.	D8/331

* cited by examiner

Primary Examiner — Prabhakar Deshmukh
(74) *Attorney, Agent, or Firm* — Cooley LLP

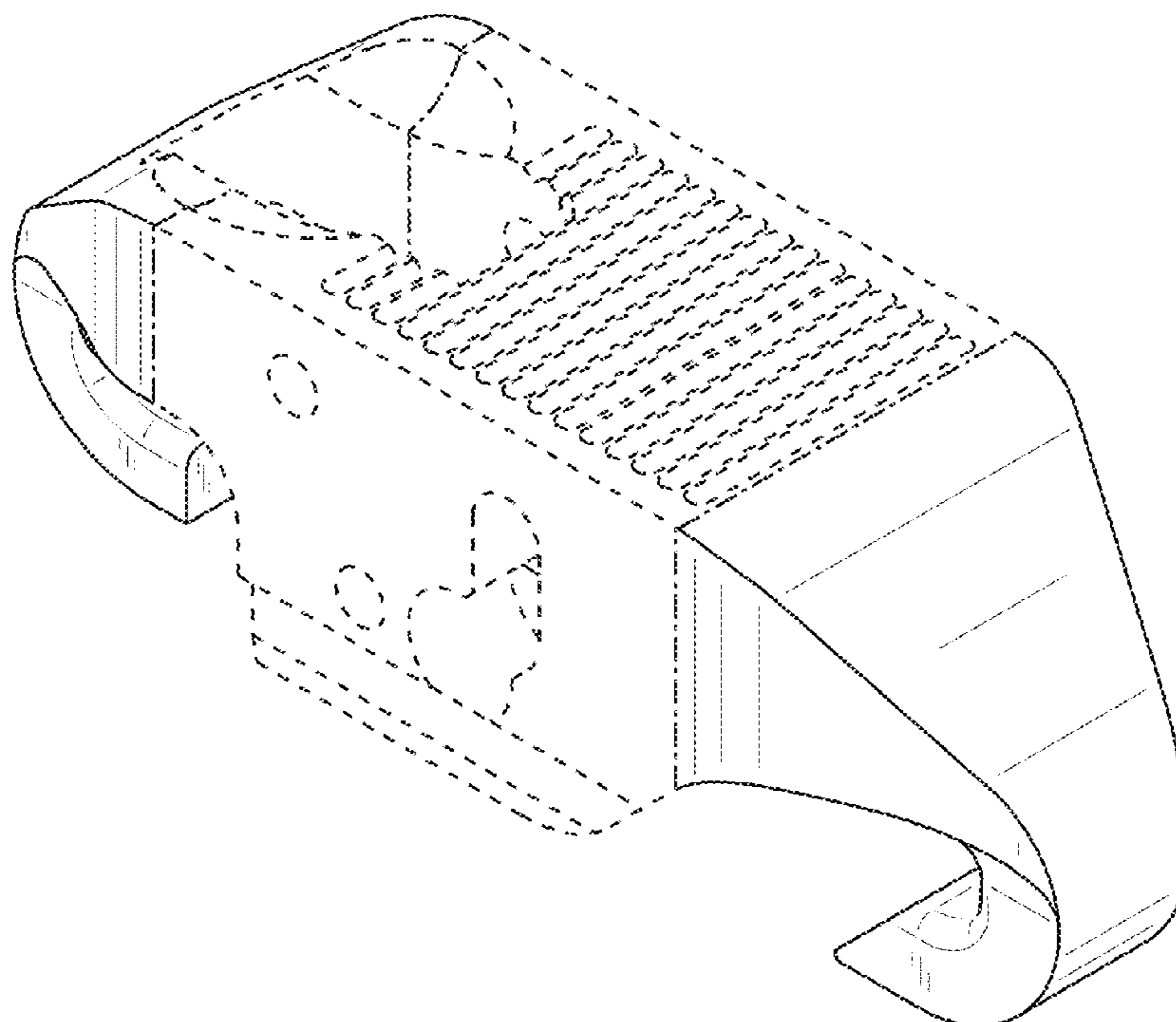
(57) **CLAIM**

The ornamental design for a sling latch, as shown and described.

DESCRIPTION

FIG. 1 is a perspective view of a sling latch showing our new design;
FIG. 2 is a top plan view thereof;
FIG. 3 is a bottom plan view thereof;
FIG. 4 is a front elevation view thereof;
FIG. 5 is rear elevation view thereof;
FIG. 6 is a left side elevation thereof; and,
FIG. 7 is a right side elevation thereof.
The broken lines immediately adjacent the shade areas represent the bounds of the claimed design while other broken lines are directed to environment and are for illustrative purpose only. None of the broken lines form part of the claimed design.

1 Claim, 7 Drawing Sheets



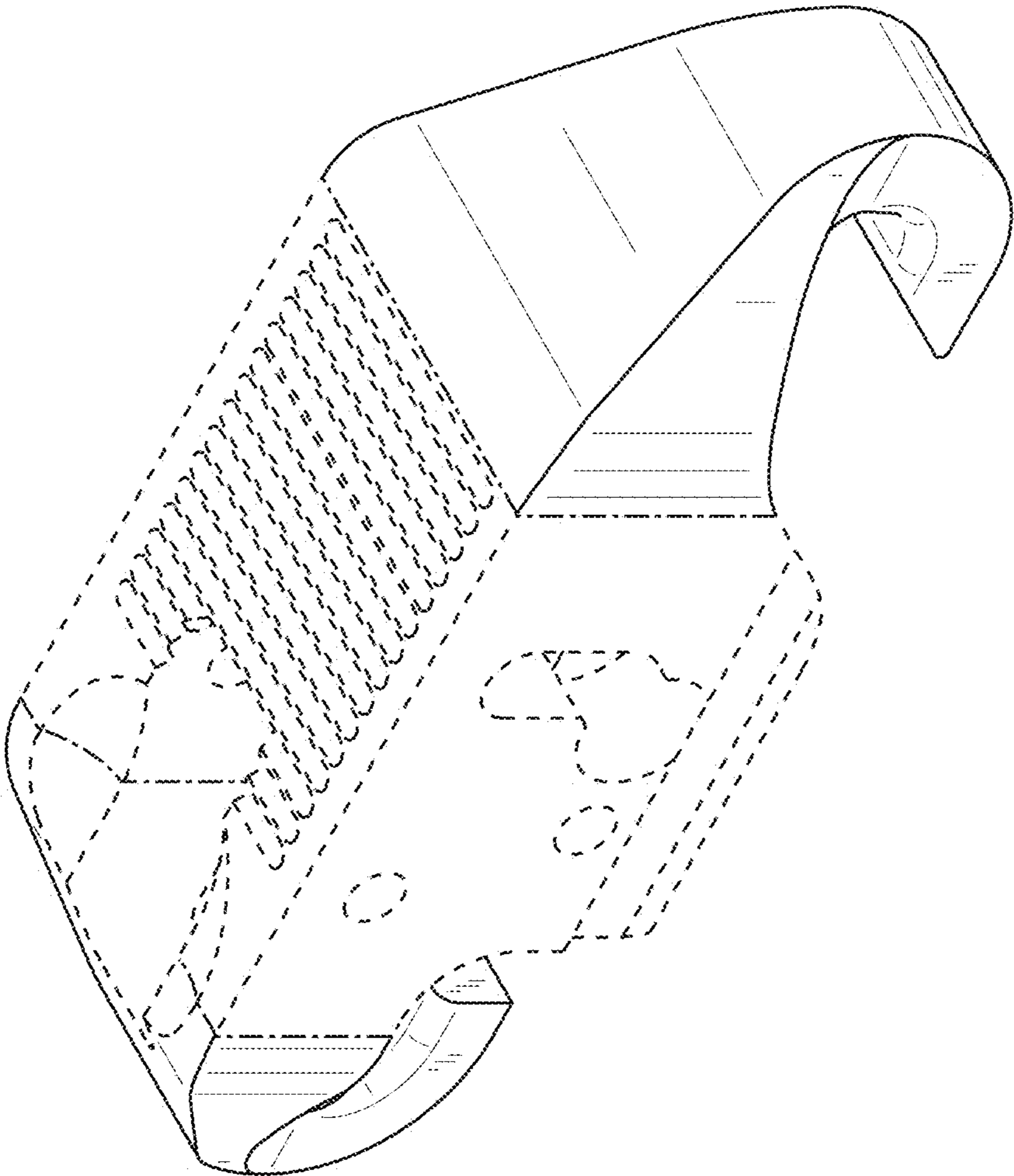


FIG. 1

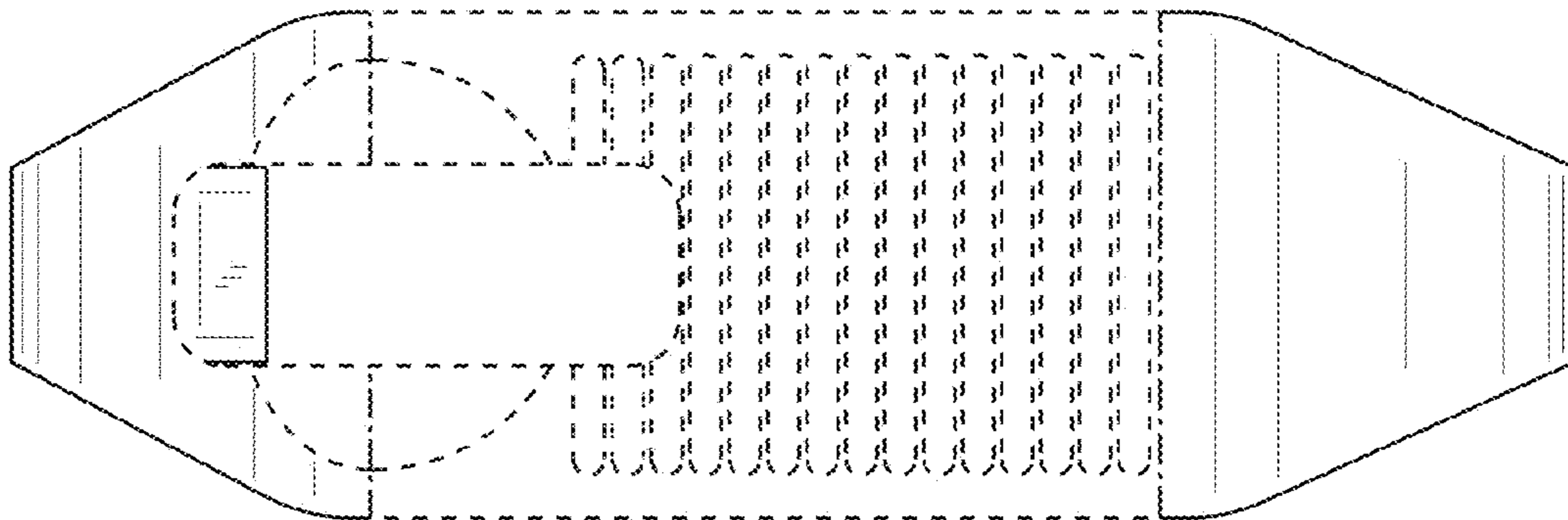


FIG. 2

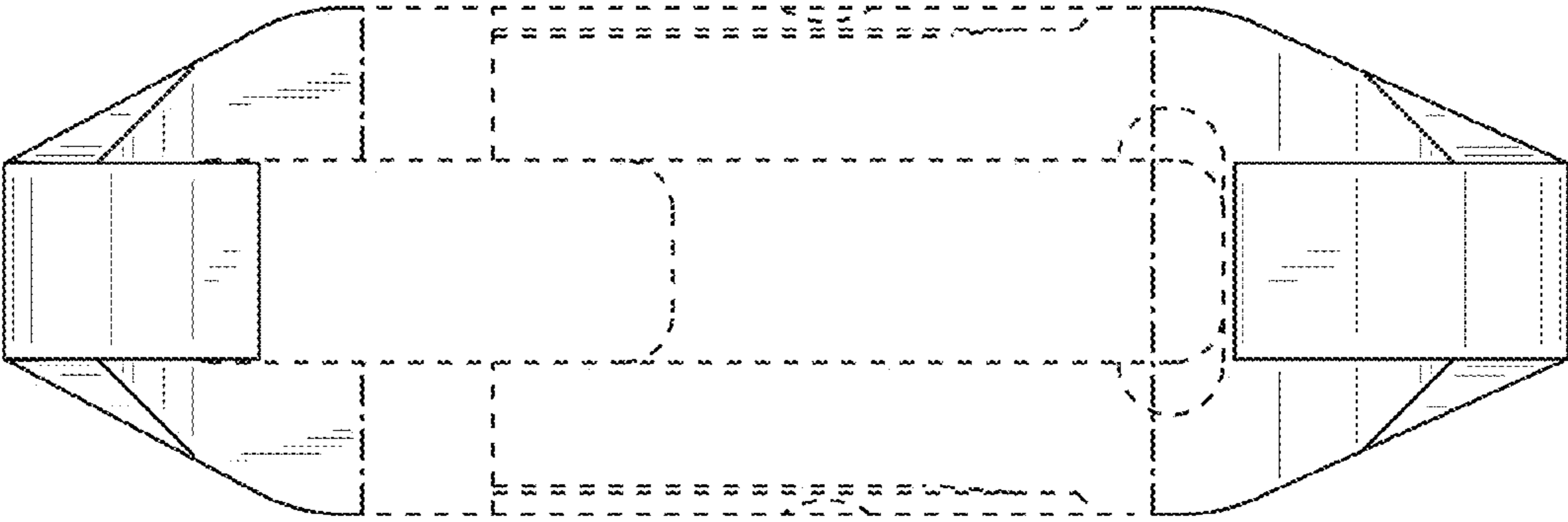


FIG. 3

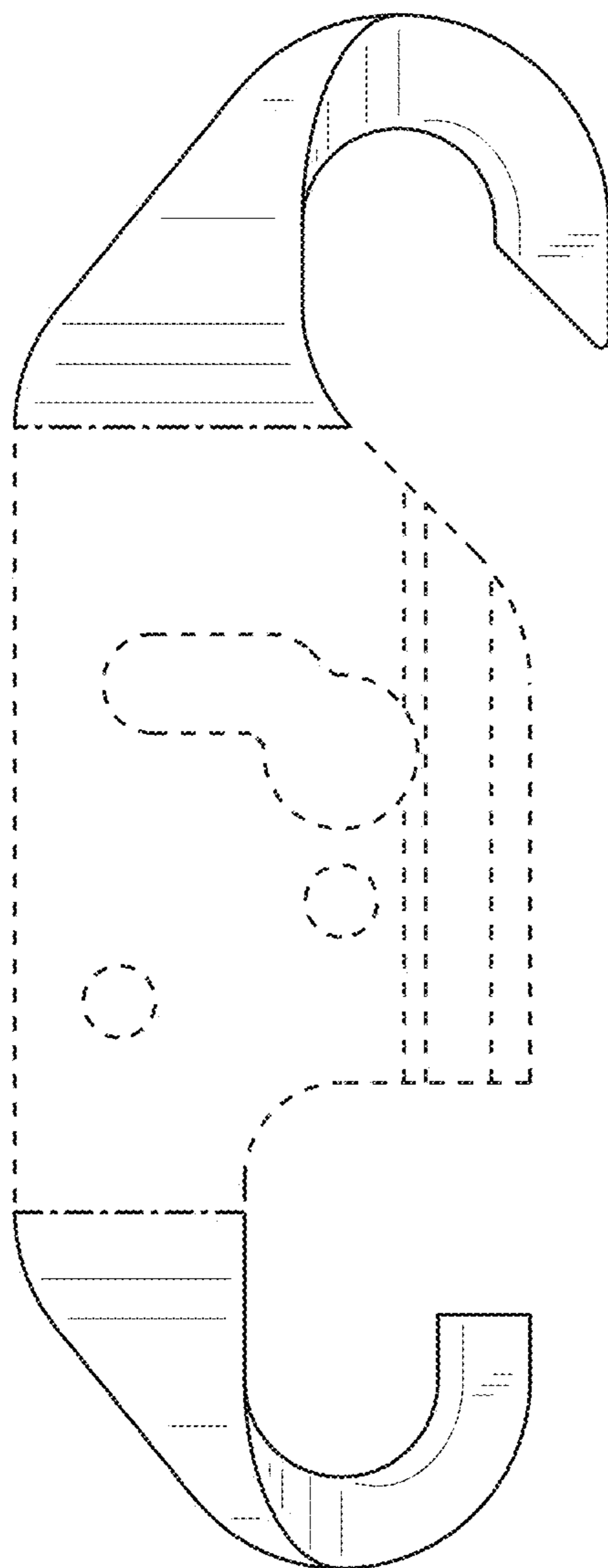


FIG. 4

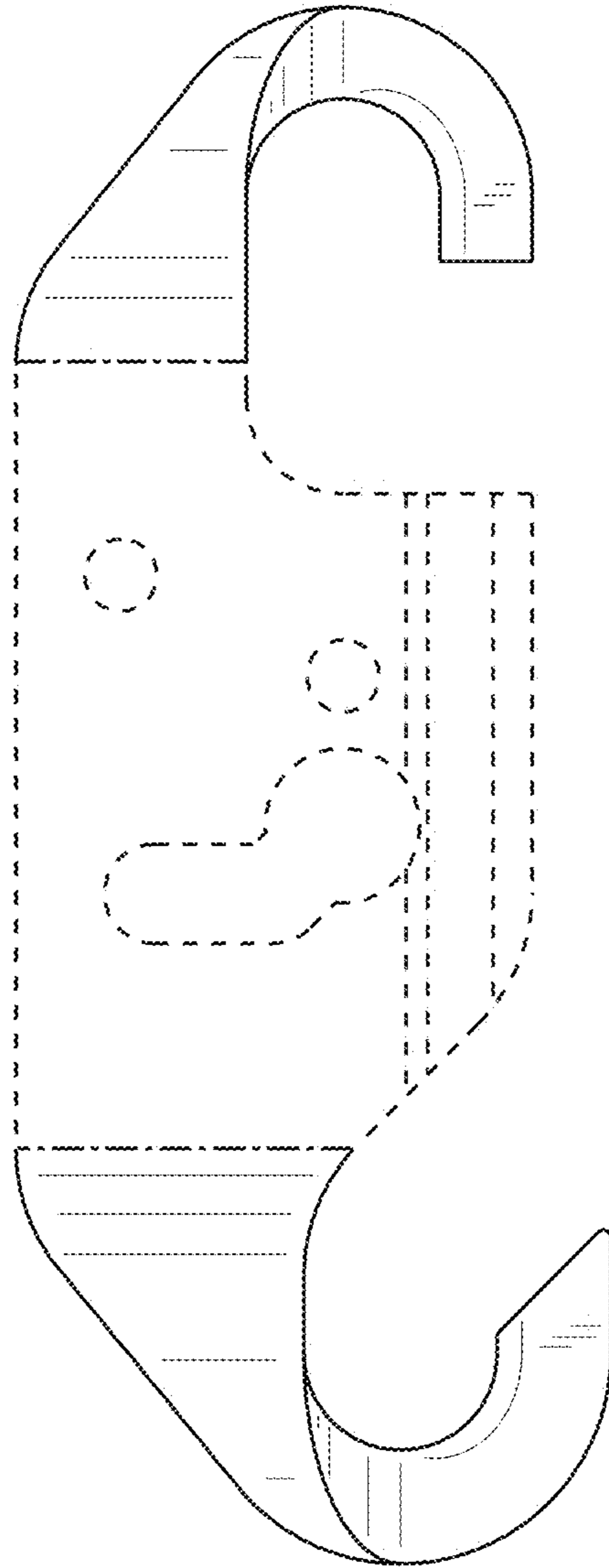


FIG. 5

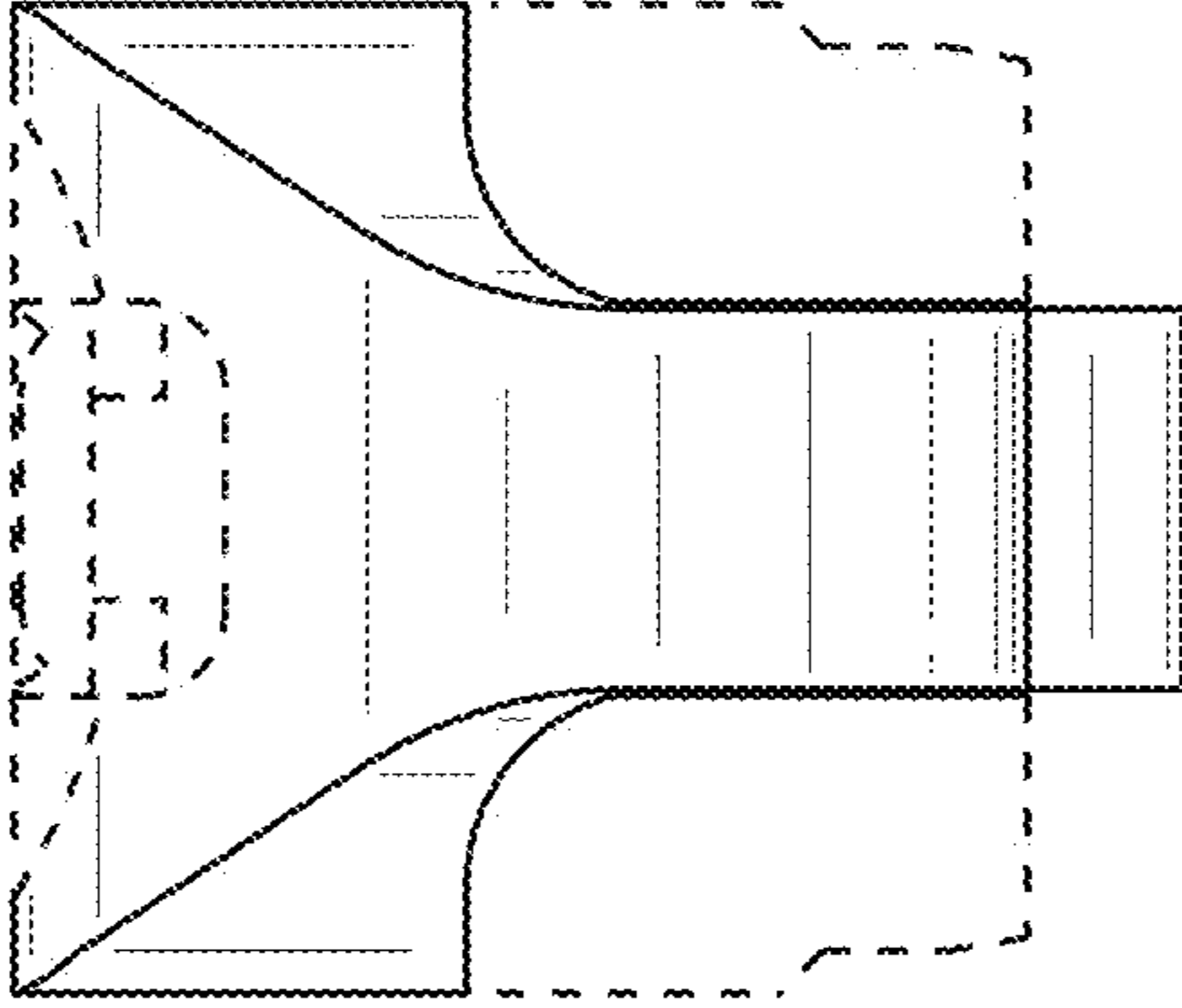


FIG. 6

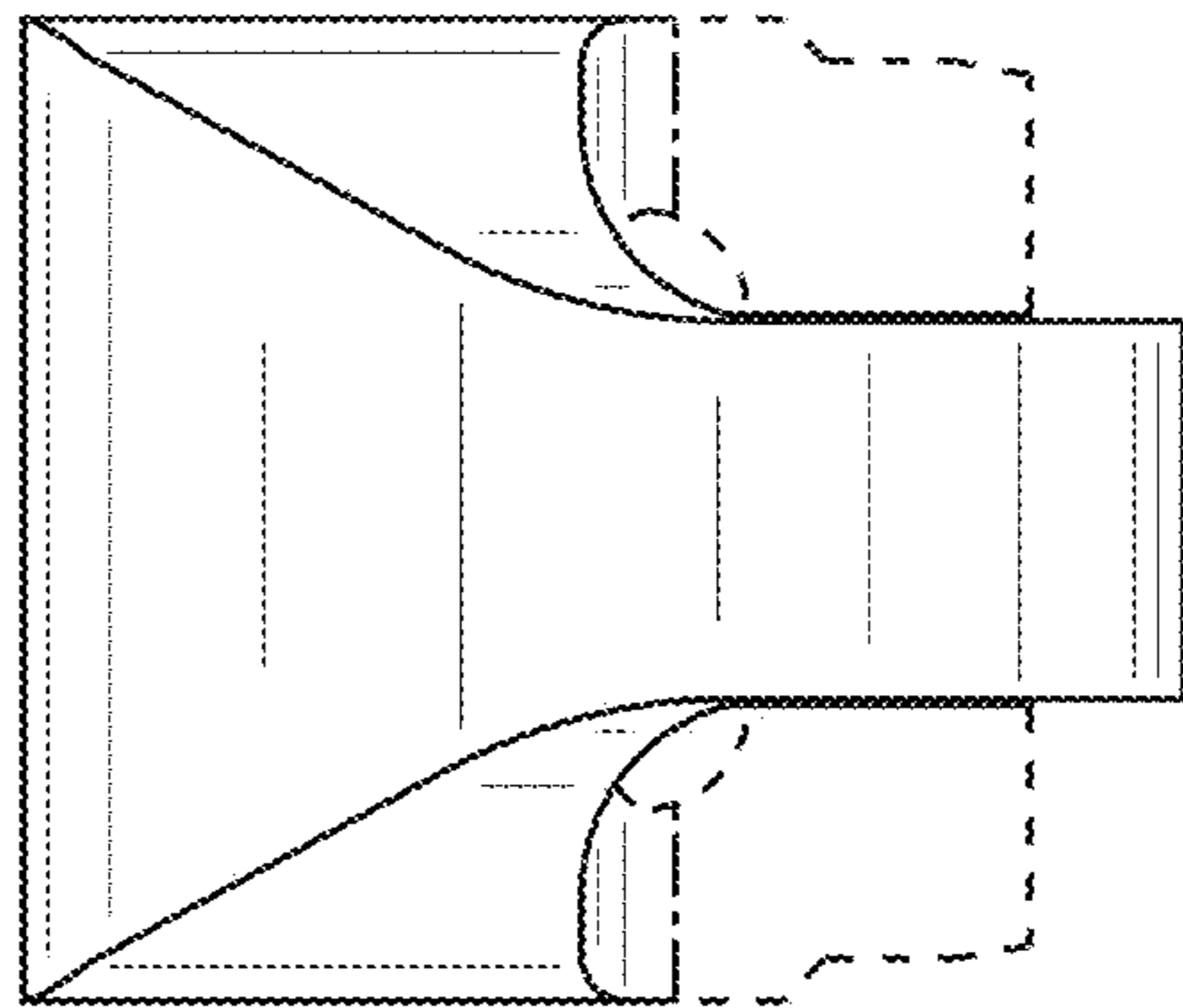


FIG. 7