



US00D712231S

(12) **United States Design Patent**
Thompson et al.

(10) **Patent No.:** **US D712,231 S**

(45) **Date of Patent:** **** Sep. 2, 2014**

(54) **HANDLE**

(71) Applicant: **3M Innovative Properties Company**,
St. Paul, MN (US)

(72) Inventors: **Craig D. Thompson**, Inver Grove
Heights, MN (US); **Angela L. Pan**,
Woodbury, MN (US)

(73) Assignee: **3M Innovative Properties Company**,
St. Paul, MN (US)

(**) Term: **14 Years**

(21) Appl. No.: **29/447,195**

(22) Filed: **Mar. 1, 2013**

(51) **LOC (10) Cl.** **08-06**

(52) **U.S. Cl.**
USPC **D8/300; D8/303**

(58) **Field of Classification Search**
CPC B25G 1/10
USPC D8/300, 1, 14, 303, 307; D3/276, 278,
D3/328; 190/18 A, 115; 16/113.1, 114.1,
16/430; D9/434; D21/420, 673, 682, 684,
D21/807; D15/17, 18; 294/165, 153;
D12/16, 174; D30/153; 119/795
See application file for complete search history.

(56) **References Cited**

U.S. PATENT DOCUMENTS

D208,997 S * 10/1967 Anderson D8/10
3,692,218 A * 9/1972 Friedman 294/165

4,112,541 A * 9/1978 Tetradis 294/165
D259,238 S * 5/1981 Schenck, III D8/307
4,696,505 A * 9/1987 Shadoan 294/153
5,351,365 A * 10/1994 Hauck 16/422
5,581,847 A * 12/1996 Hsieh 16/113.1
D381,816 S * 8/1997 Segarra et al. D6/328
D466,786 S * 12/2002 Bourgeois et al. D8/107
6,578,231 B1 * 6/2003 Godshaw et al. 16/114.1
6,865,777 B2 * 3/2005 Comstock 16/114.1
7,549,196 B2 * 6/2009 Ziegs et al. 16/430
D618,973 S * 7/2010 Gosselin D8/10
2003/0015383 A1 * 1/2003 Tsai 190/115
2005/0241900 A1 * 11/2005 Fisher 190/115

* cited by examiner

Primary Examiner — Paula Greene

(74) *Attorney, Agent, or Firm* — Irina Hass

(57) **CLAIM**

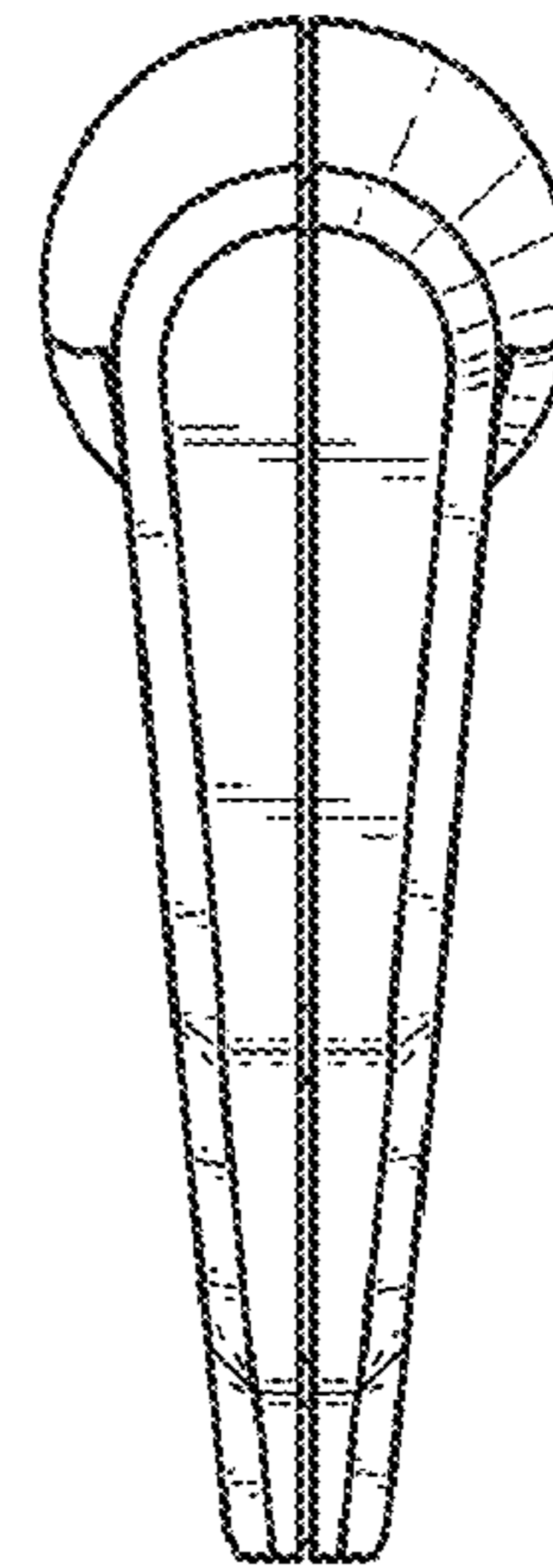
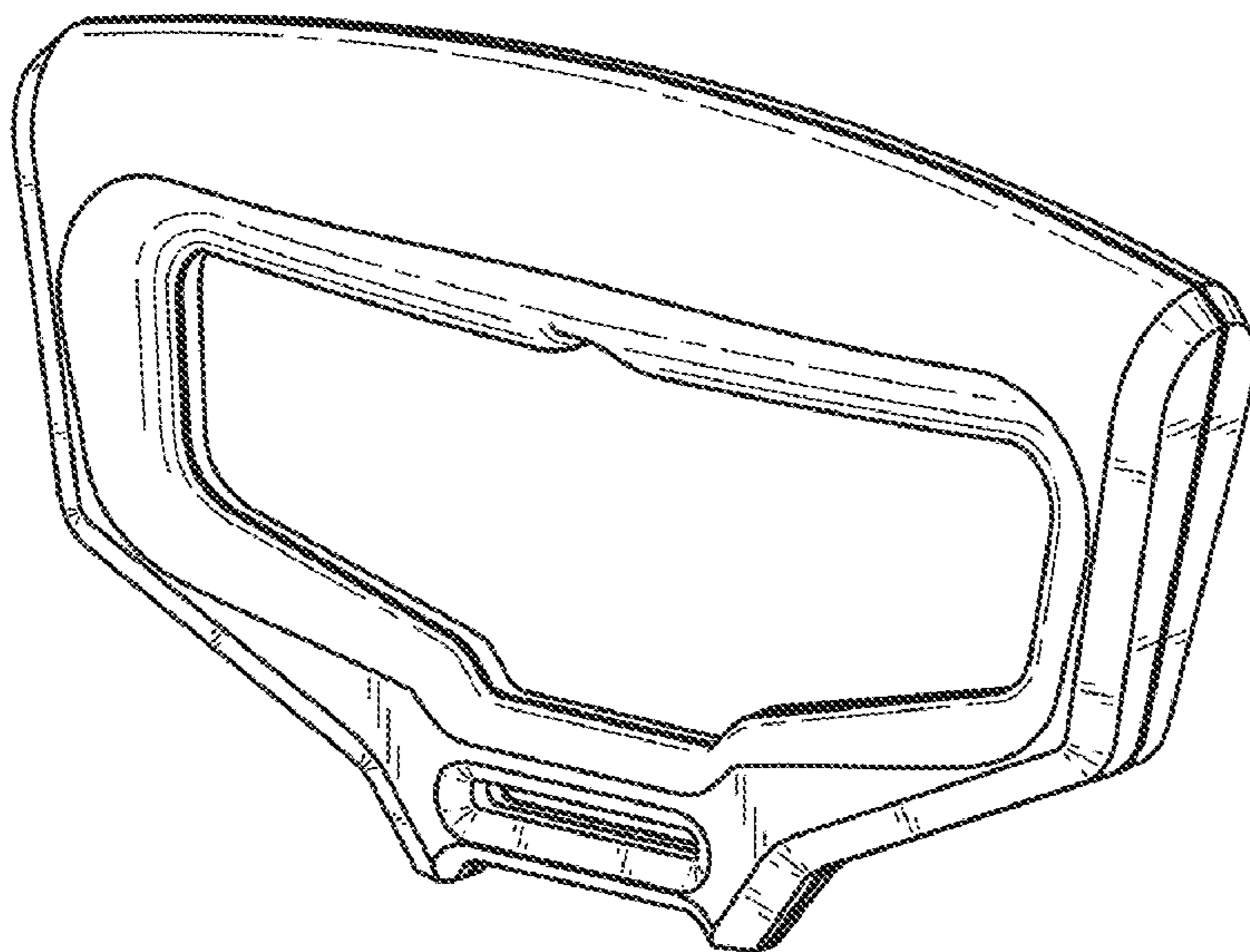
The ornamental design for a handle, as shown and described.

DESCRIPTION

FIG. 1 is a perspective view showing the new design for a handle;
FIG. 2 is a front view thereof, a rear view being a mirror image thereof;
FIG. 3 is a right side view thereof, a left side view being a mirror image thereof;
FIG. 4 is a top view thereof;
FIG. 5 is a bottom view thereof; and,
FIG. 6 is a perspective view thereof showing the handle with a strap.

The broken lines in the drawings are shown for illustrative purposes only and form no part of the claimed design.

1 Claim, 2 Drawing Sheets



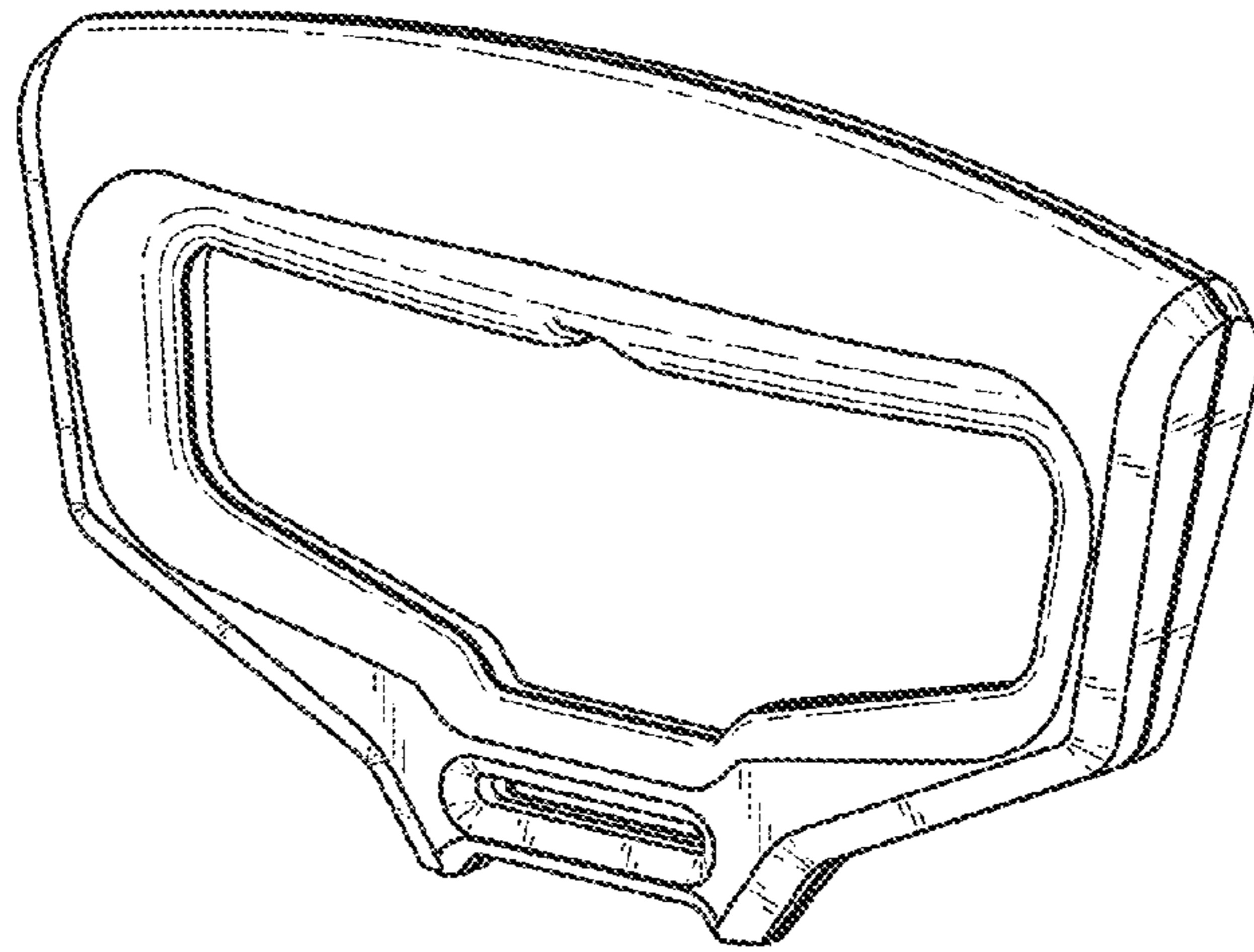


Fig. 1

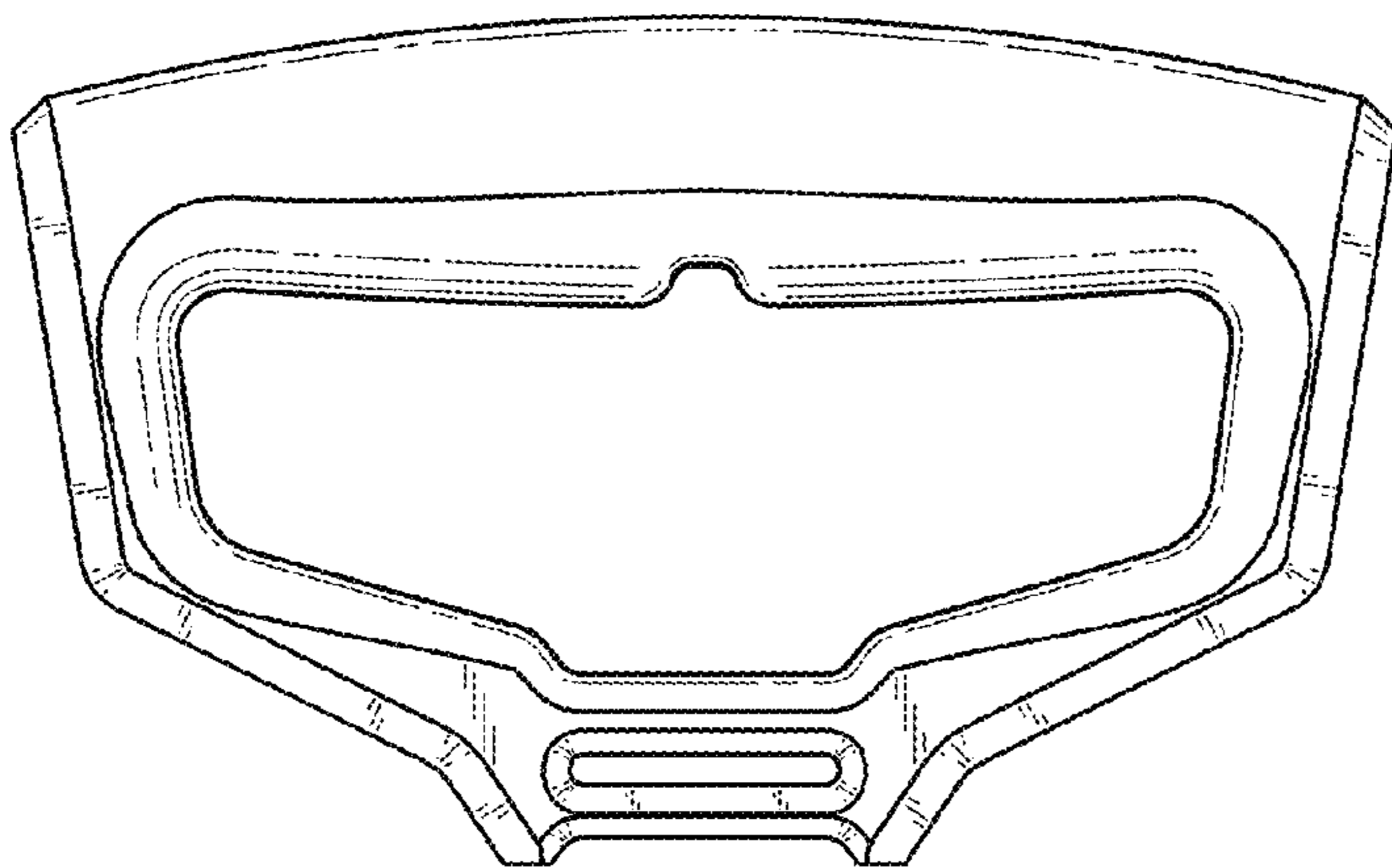


Fig. 2

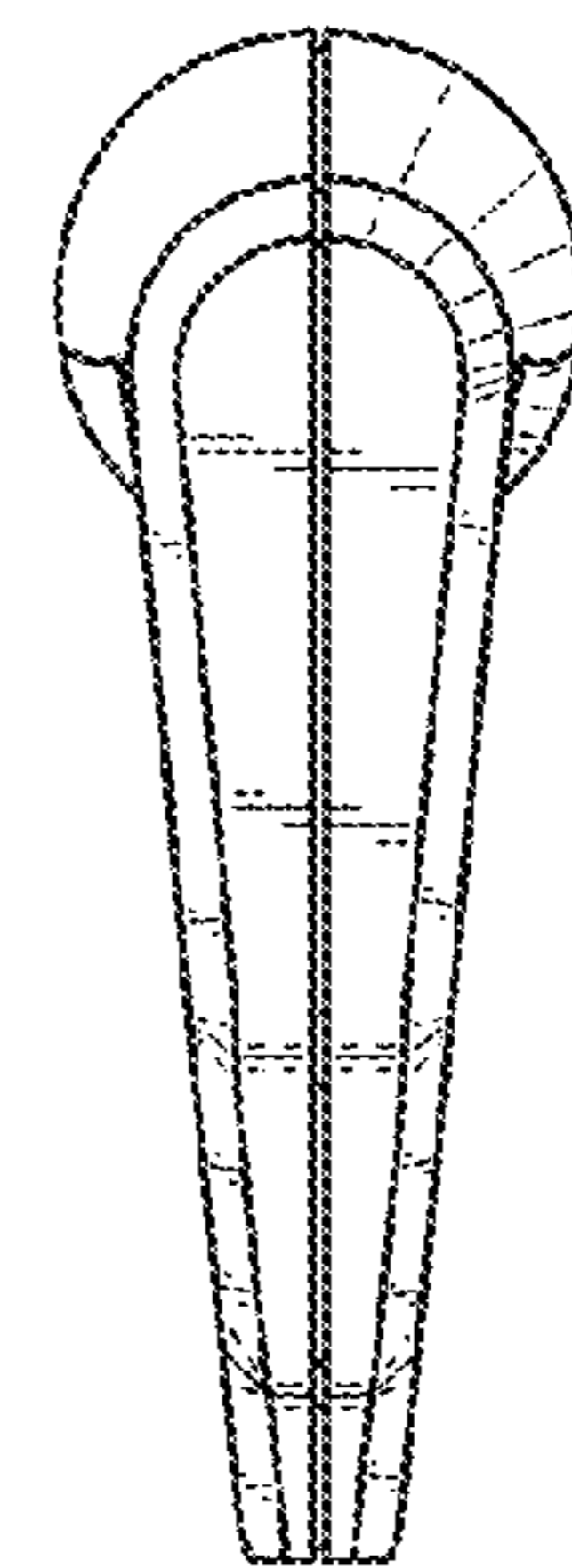


Fig. 3

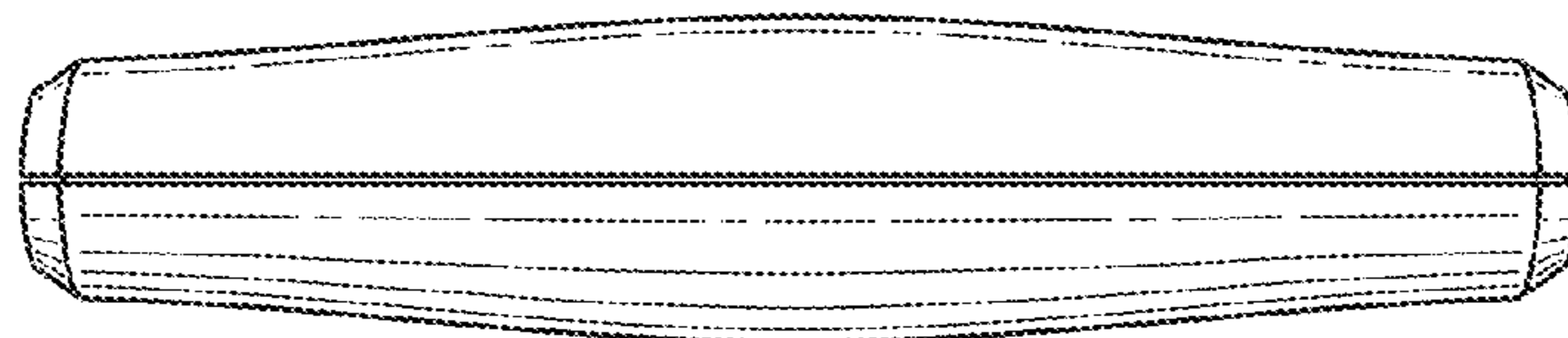


Fig. 4

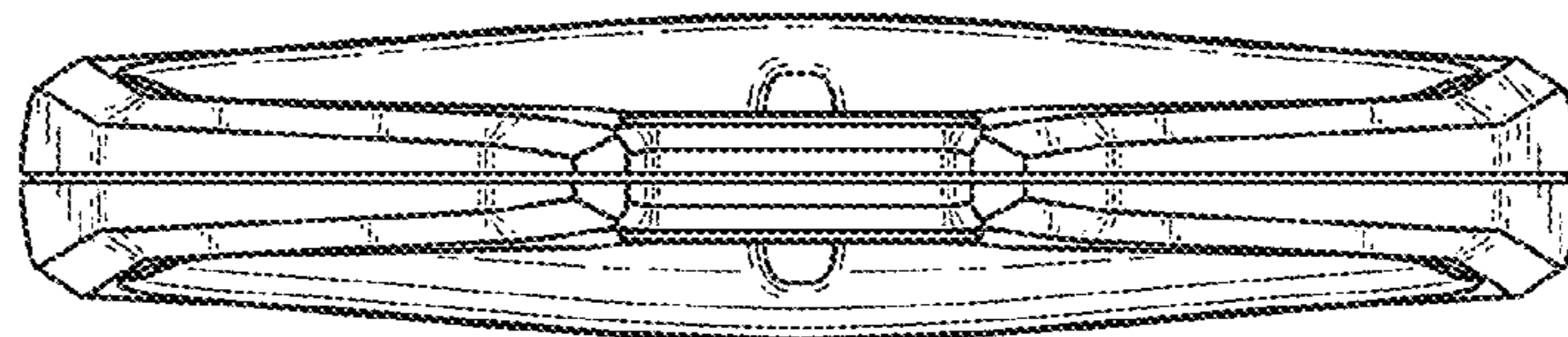


Fig. 5

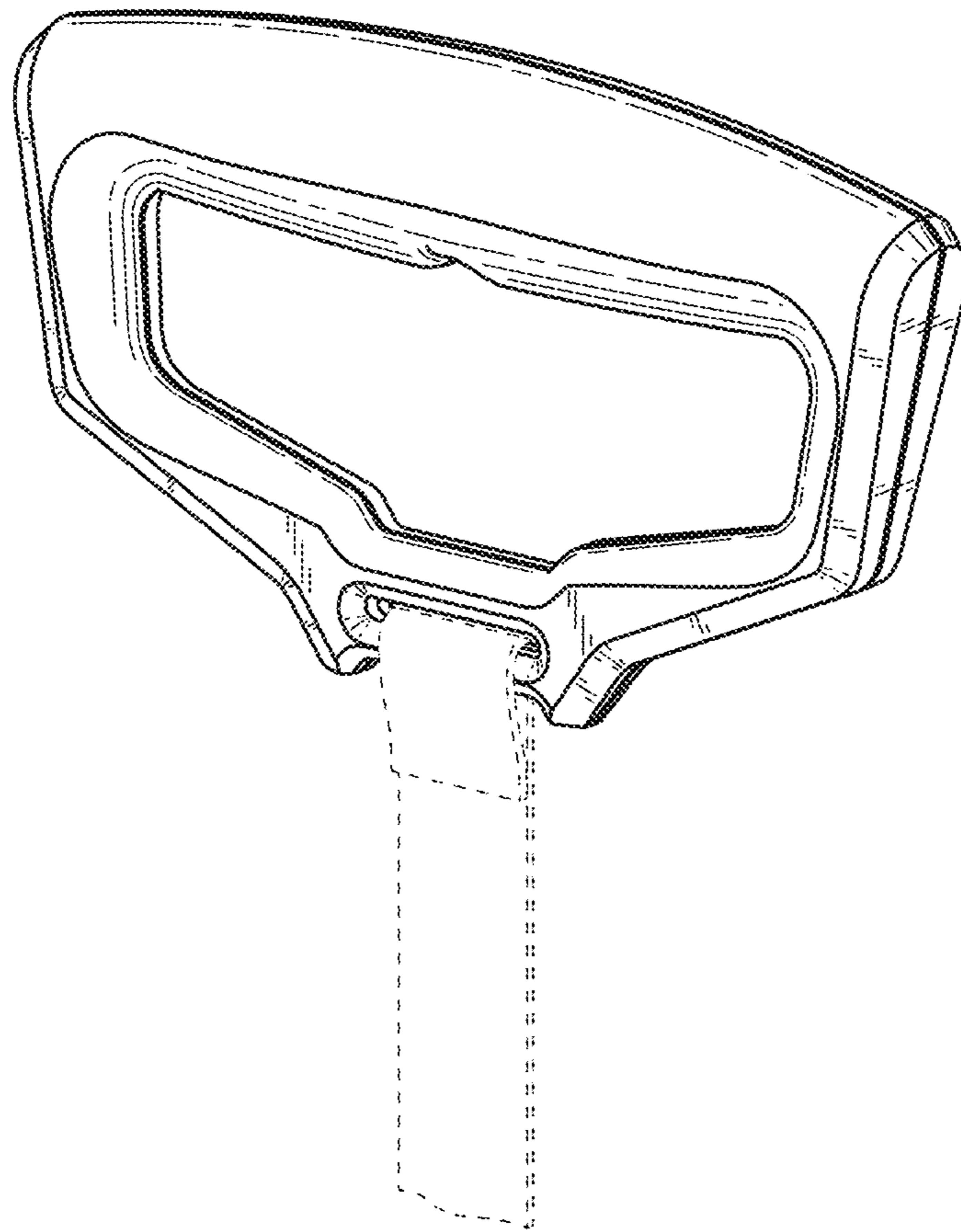


Fig. 6