



US00D712230S

(12) **United States Design Patent**
Atnip et al.

(10) **Patent No.:** **US D712,230 S**
(45) **Date of Patent:** **** Sep. 2, 2014**

(54) **PRUNING TOOL EXTENDABLE HANDLE**
(71) Applicant: **Corona Clipper, Inc.**, Corona, CA (US)
(72) Inventors: **Timothy Edward Atnip**, Temecula, CA (US); **Anthony Magana**, Riverside, CA (US); **James Wolf**, Waconia, MN (US); **Philip Curtis Rogers**, Temecula, CA (US); **Jeffrey Robert Burger**, Bexley, OH (US); **Don Meves**, Columbus, OH (US); **Christopher Scott Daniels**, Columbus, OH (US)

5,084,975	A *	2/1992	Melter	30/249
5,228,202	A *	7/1993	Liao	30/249
5,729,865	A *	3/1998	Stoddart	16/429
5,950,315	A *	9/1999	Linden	30/249
5,983,455	A *	11/1999	Polzin et al.	16/429
D518,351	S *	4/2006	Hay	D8/107
D606,816	S *	12/2009	Deville	D8/5
7,845,082	B2 *	12/2010	Demar et al.	30/199
D644,907	S *	9/2011	Blanchard	D8/107
D646,534	S *	10/2011	Deville	D8/5
D653,931	S *	2/2012	Blanchard	D8/107
D698,618	S *	2/2014	Atnip et al.	D8/5
D703,498	S *	4/2014	Atnip et al.	D8/5
2002/0073557	A1 *	6/2002	Huang	30/341
2009/0044413	A1 *	2/2009	Chou	30/254

(73) Assignee: **Corona Clipper, Inc.**, Corona, CA (US)

* cited by examiner

(**) Term: **14 Years**

Primary Examiner — Paula Greene

(21) Appl. No.: **29/461,935**

(57) **CLAIM**

The ornamental design for the pruning tool extendable handle, as shown and described.

(22) Filed: **Jul. 29, 2013**

(51) **LOC (10) Cl.** **08-05**

(52) **U.S. Cl.**
USPC **D8/107**

DESCRIPTION

(58) **Field of Classification Search**
CPC B26B 13/00
USPC D8/107, 5, 10; 16/110.1, 427, 429, 430;
30/250, 252, 234, 245, 199, 249,
30/296.1, 251; 81/177.2; 56/239;
403/109.1, 112

FIG. 1 is a right side of a pruning tool extendable handle showing our new design, the handle is drawn broken away for indeterminate length;
FIG. 2 is a left side view of the pruning tool extendable handle.
FIG. 3 is a front view of the pruning tool extendable handle.
FIG. 4 is a back view of the pruning tool extendable handle; and,
FIG. 5 is a right side perspective view of the pruning tool extendable handle.

See application file for complete search history.

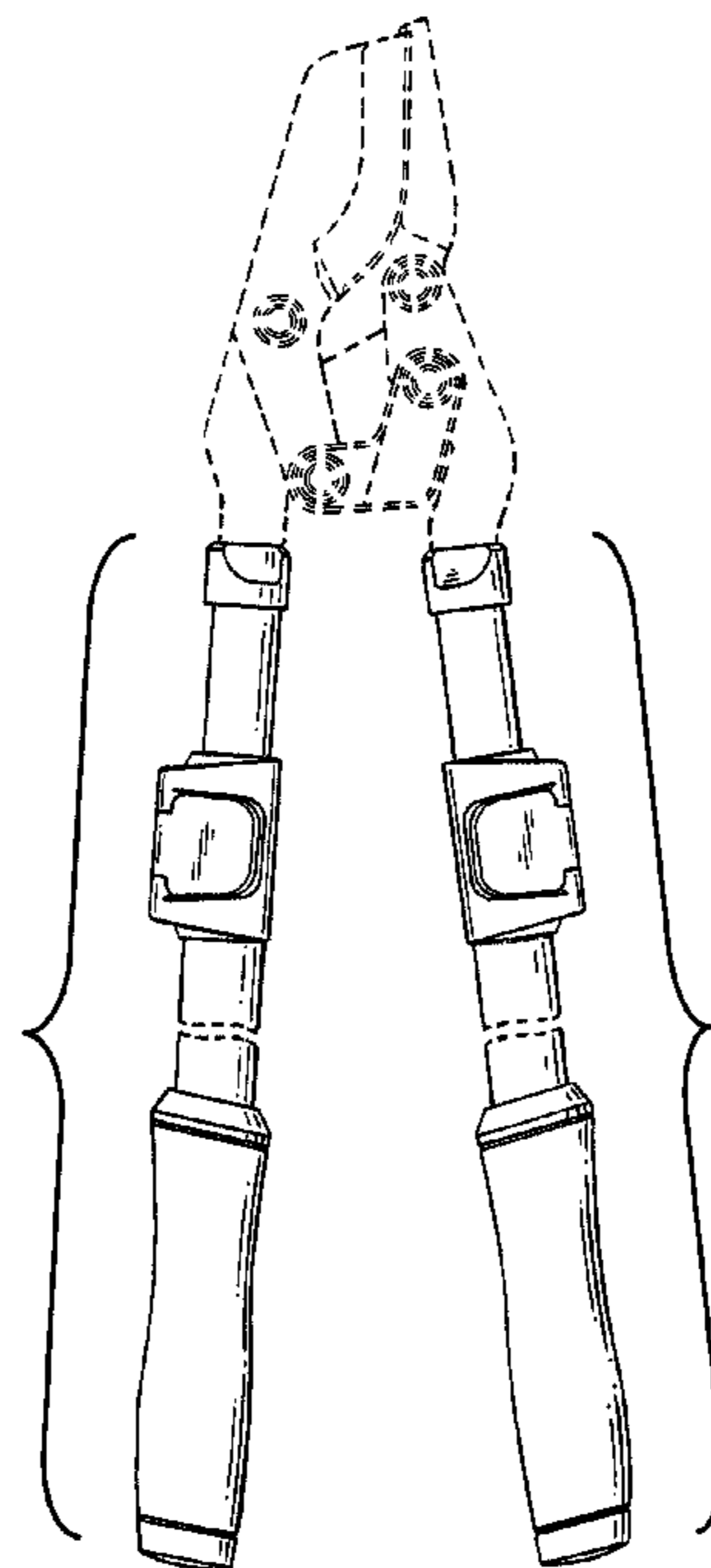
The matter displayed in dashed lines indicates context and does not form any part of the claimed design.

(56) **References Cited**

U.S. PATENT DOCUMENTS

2,557,506	A *	6/1951	Kovacevich	30/259
3,372,478	A *	3/1968	Wallace et al.	30/193

1 Claim, 4 Drawing Sheets



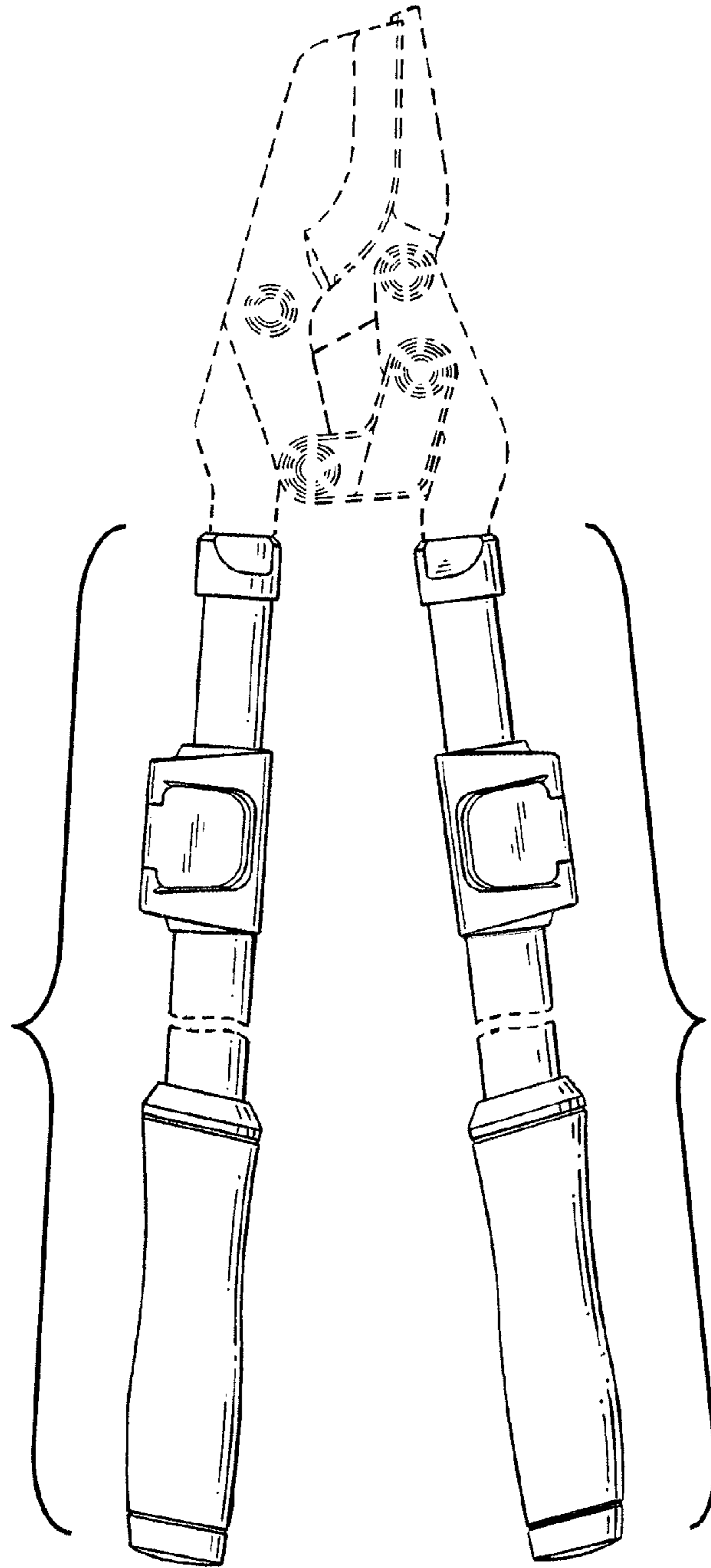


FIG. 1

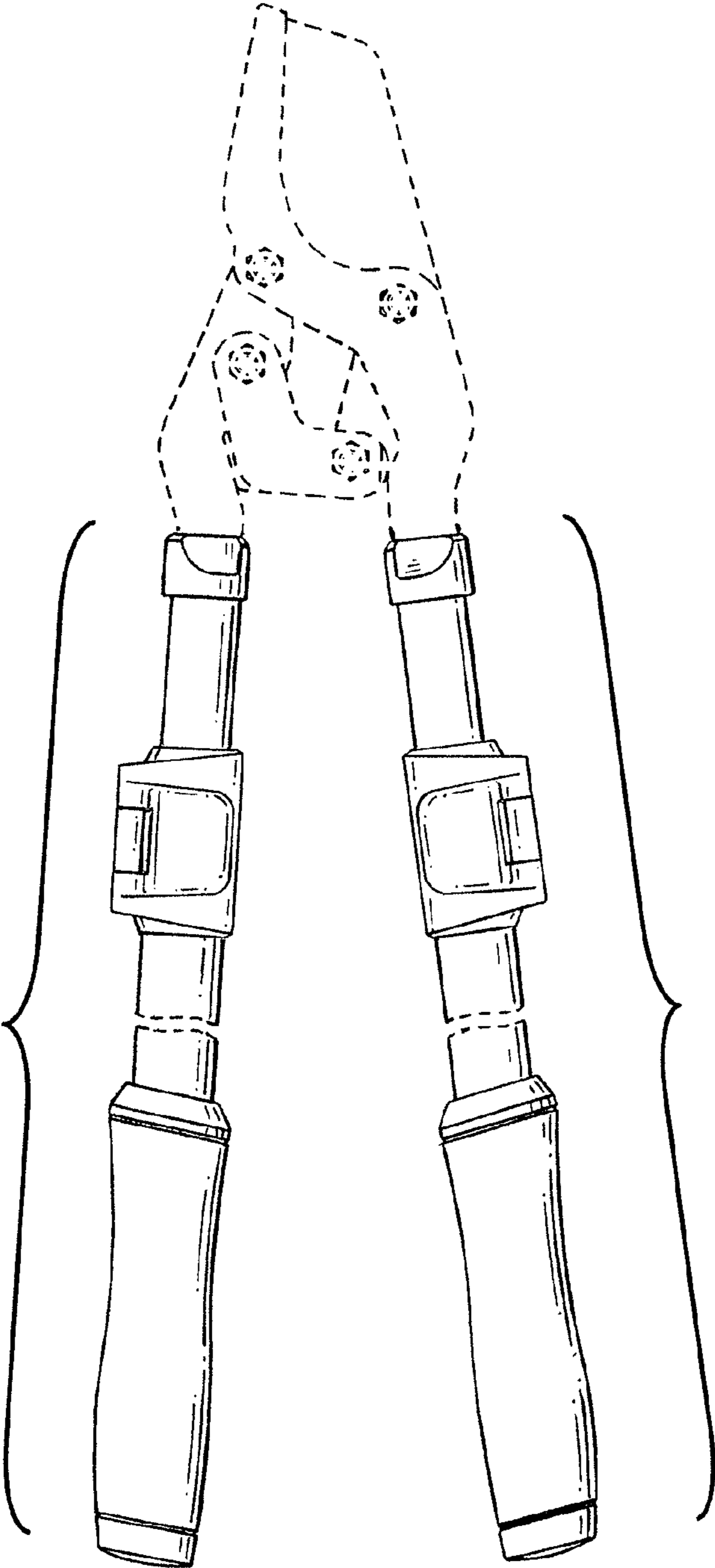


FIG. 2

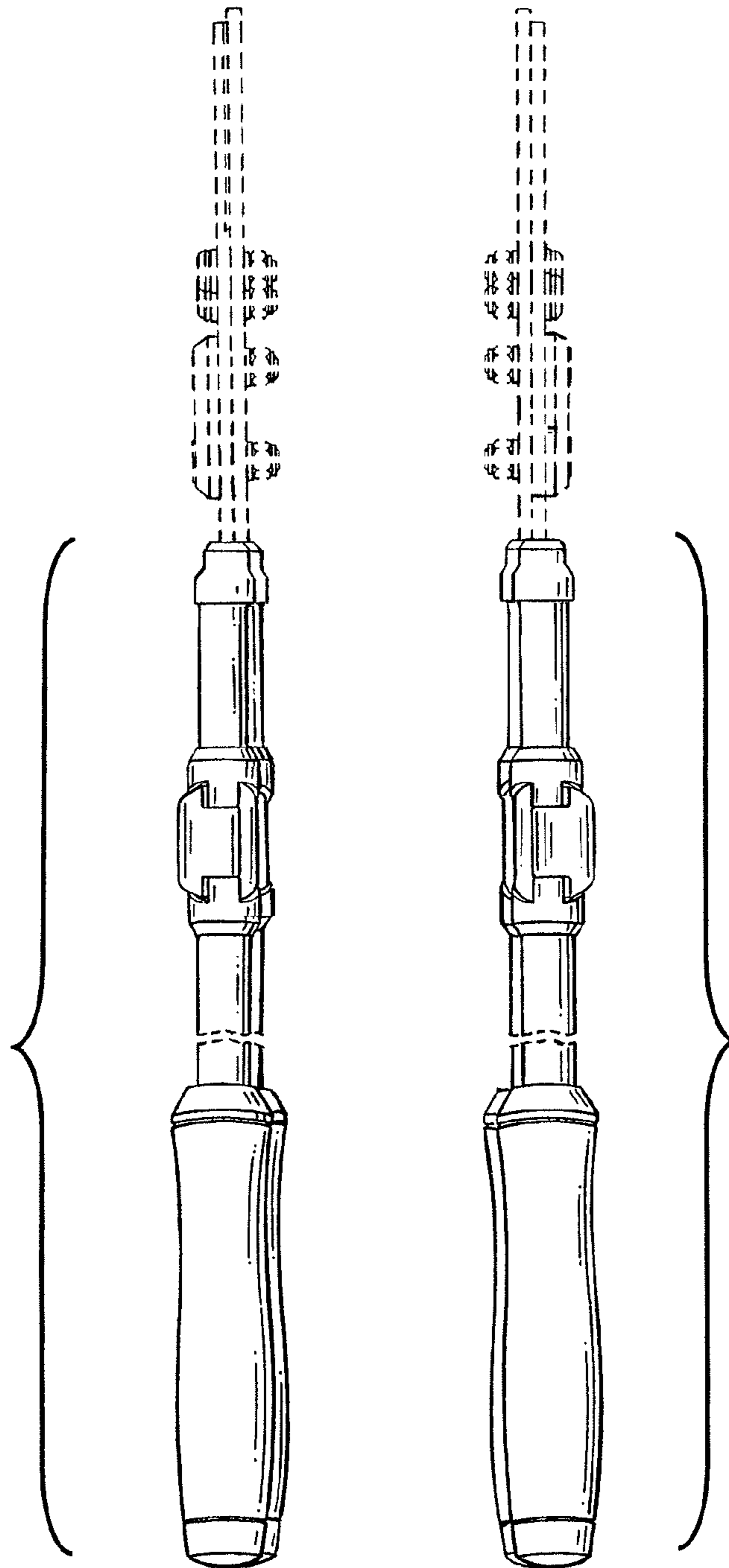


FIG. 3

FIG. 4

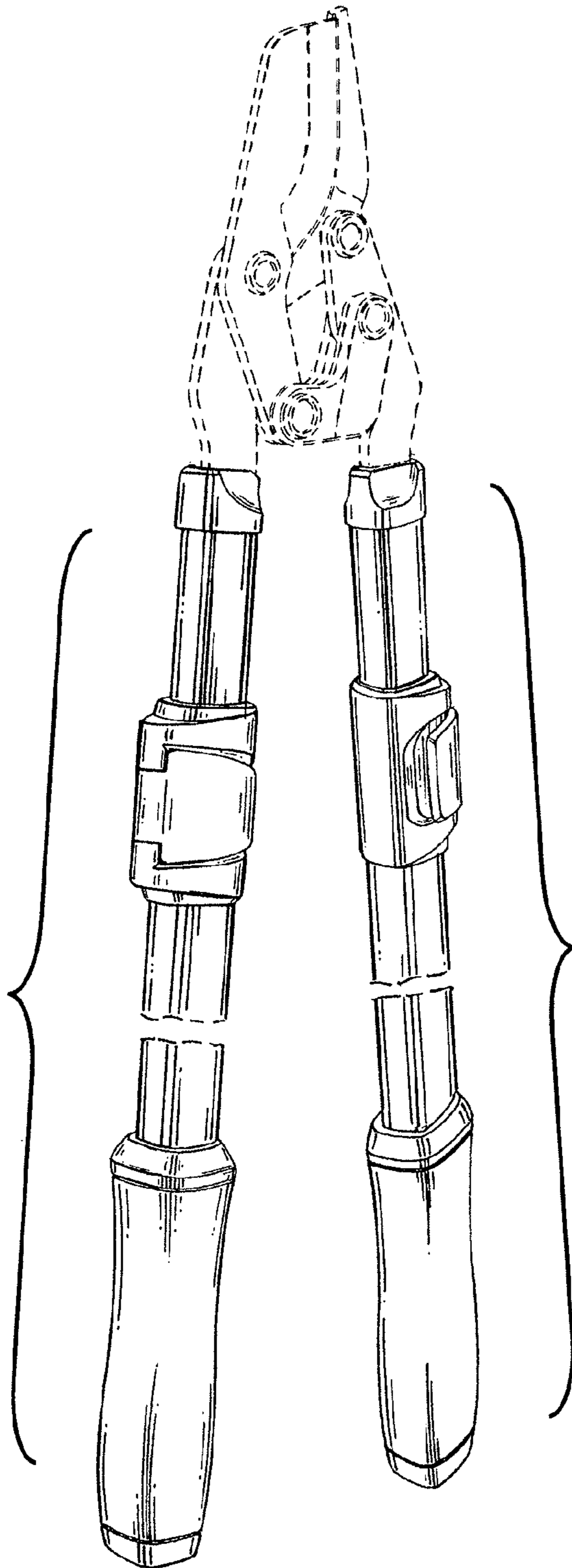


FIG. 5