



US00D712229S

(12) **United States Design Patent**
Kao

(10) **Patent No.:** **US D712,229 S**

(45) **Date of Patent:** **** Sep. 2, 2014**

(54) **SURVIVAL KIT**

(71) Applicant: **Wen-Chun Kao**, Taipei (TW)

(72) Inventor: **Wen-Chun Kao**, Taipei (TW)

(**) Term: **14 Years**

(21) Appl. No.: **29/439,700**

(22) Filed: **Dec. 13, 2012**

(51) **LOC (10) Cl.** **08-05**

(52) **U.S. Cl.**
USPC **D8/105**

(58) **Field of Classification Search**
USPC D8/4, 5, 14, 16, 18, 19, 20-29, 33, 34,
D8/38-43, 51, 52, 55, 57, 75, 81-87, 98,
D8/99, 104-107, 354, 356, 358, 360.1;
7/107, 128, 151-166; 30/151, 359,
30/366; D3/24, 25, 207-208, 210, 228;
D10/46.2, 62; 362/119; 206/38, 232,
206/234; 81/3.09, 437, 440; D7/368, 665,
D7/669

See application file for complete search history.

(56) **References Cited**

U.S. PATENT DOCUMENTS

2,255,930 A * 9/1941 Jepson 30/151
D321,785 S * 11/1991 Garrity D3/209

5,487,291 A * 1/1996 Voigt 70/456 R
D403,227 S * 12/1998 Tseng D8/105
D440,141 S * 4/2001 Yeh D8/105
D473,118 S * 4/2003 Lovegrove D8/40
6,679,142 B1 * 1/2004 Lin 81/437
D608,172 S * 1/2010 Wroblewski D8/57
D682,066 S * 5/2013 Berkowitz D8/105
2005/0274026 A1 * 12/2005 Lee 30/294

* cited by examiner

Primary Examiner — Susan Bennett Hattan

Assistant Examiner — Janice Hallmark

(74) *Attorney, Agent, or Firm* — Raymond Y. Chan; David and Raymond Patent Firm

(57) **CLAIM**

The ornamental design for a survival kit, as shown and described.

DESCRIPTION

FIG. 1 is a perspective view of survival kit showing my new design.

FIG. 2 is a front view thereof.

FIG. 3 is a rear view thereof.

FIG. 4 is a left view thereof.

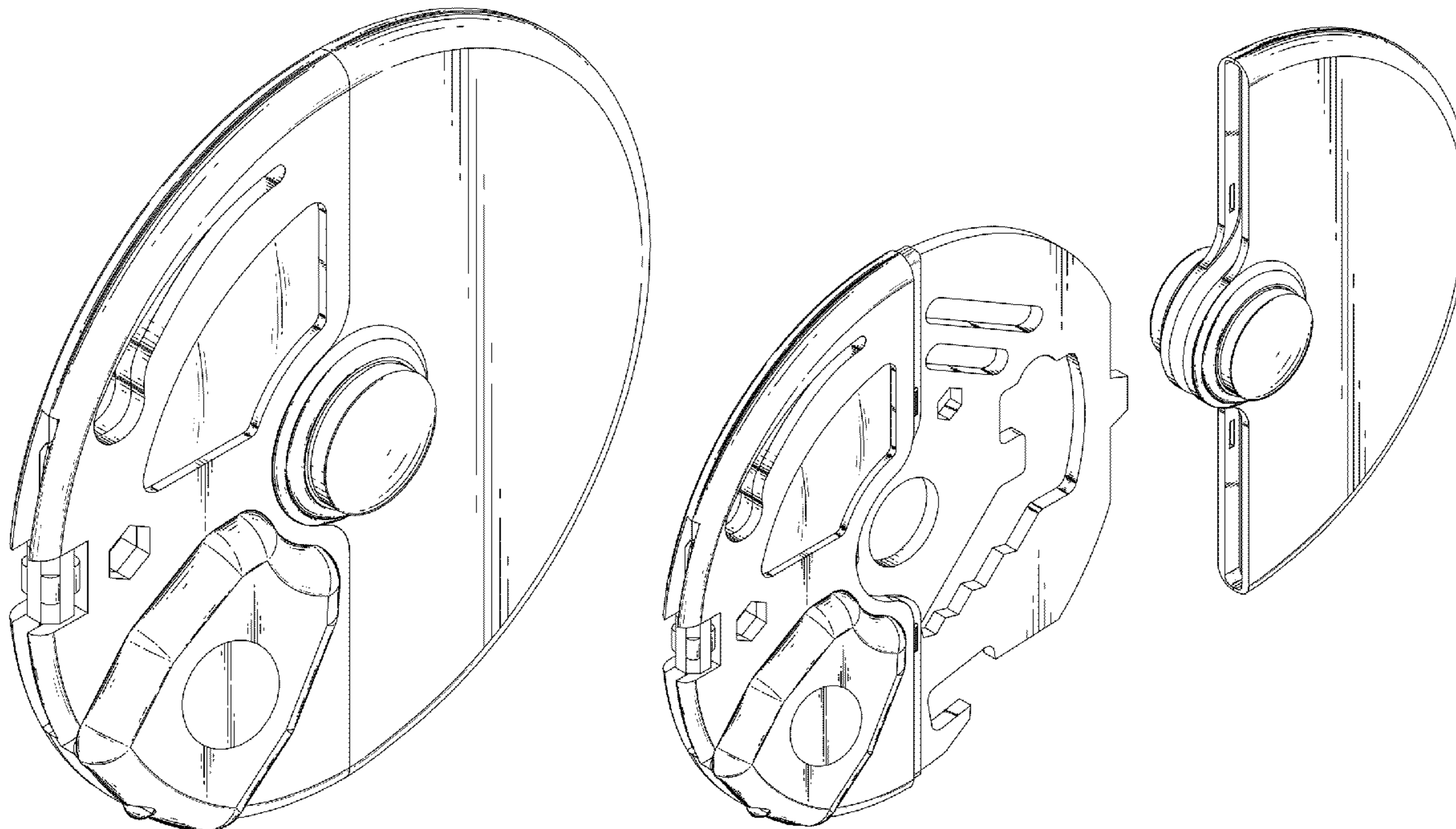
FIG. 5 is a right view thereof.

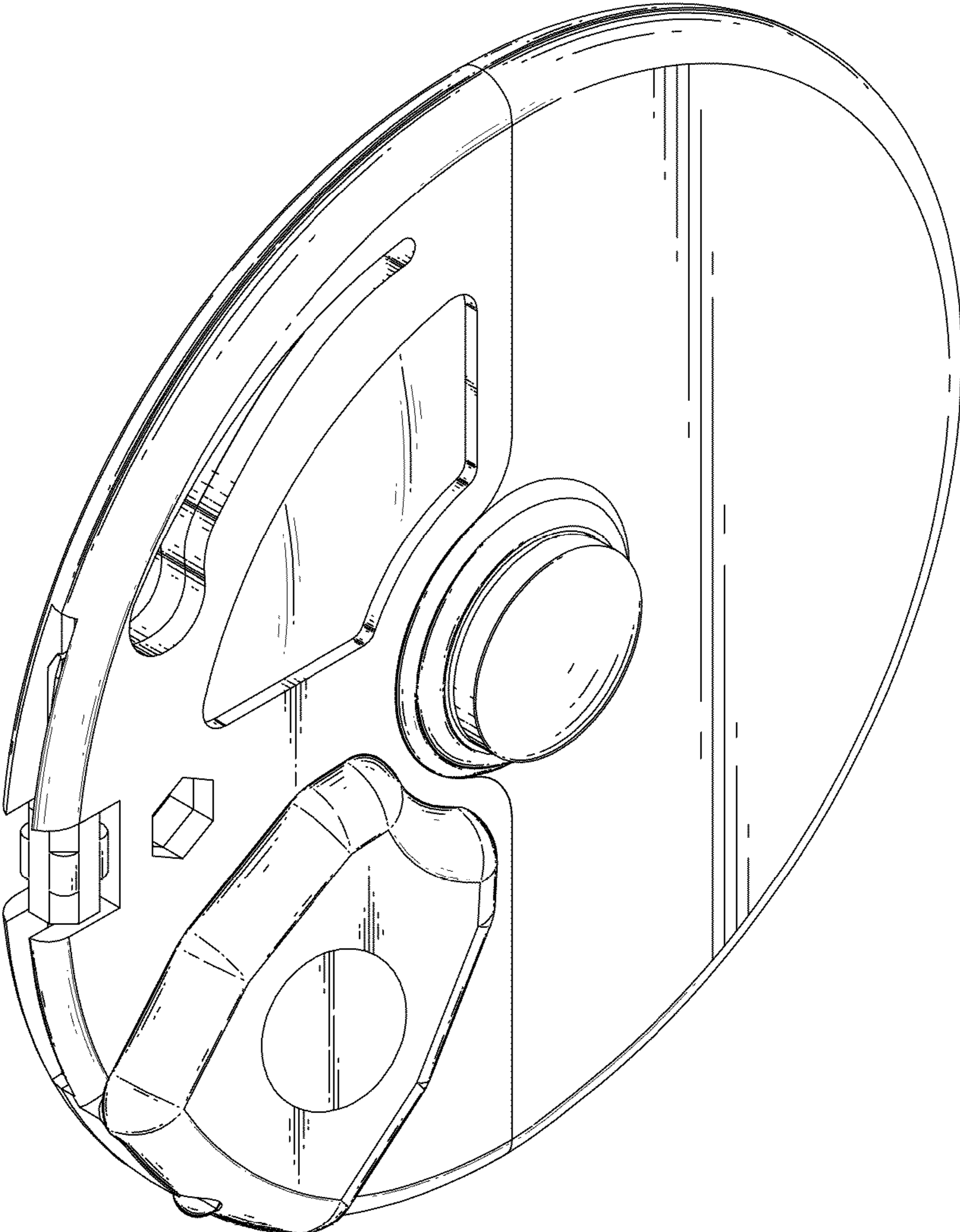
FIG. 6 is a top view thereof.

FIG. 7 is a bottom view thereof; and,

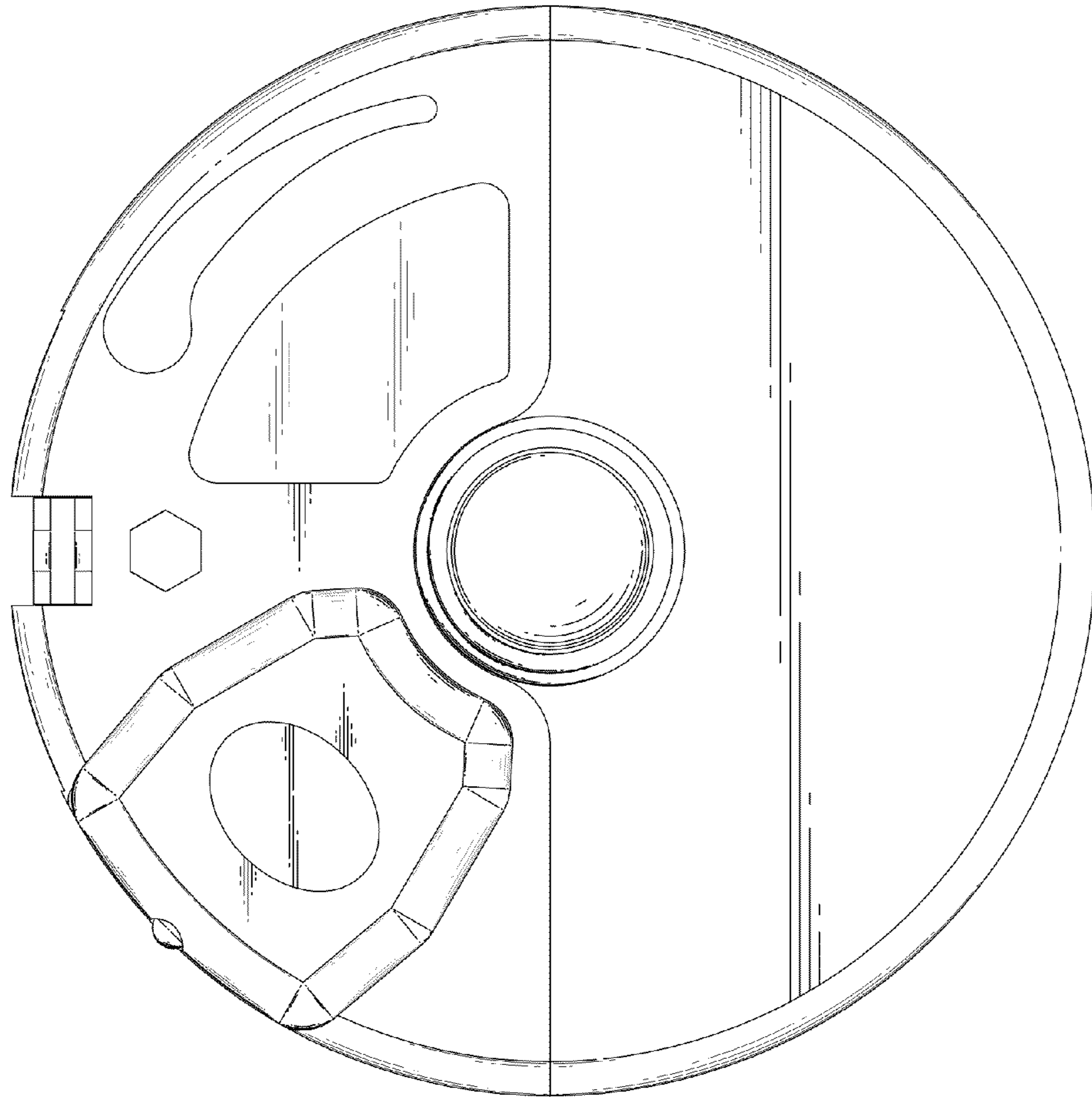
FIG. 8 is a perspective view of the survival kit shown in an alternate configuration for clarity of disclosure.

1 Claim, 8 Drawing Sheets

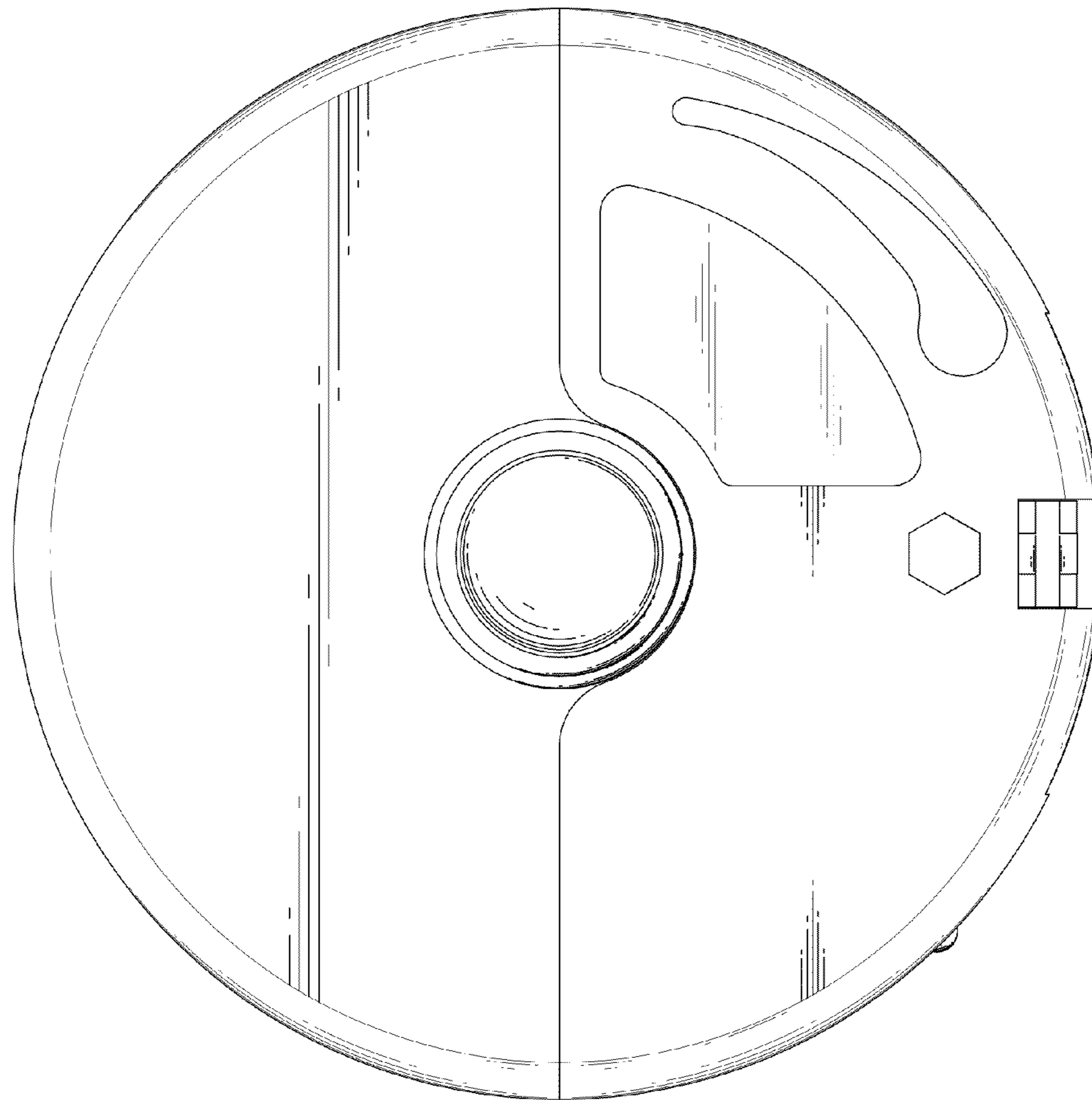




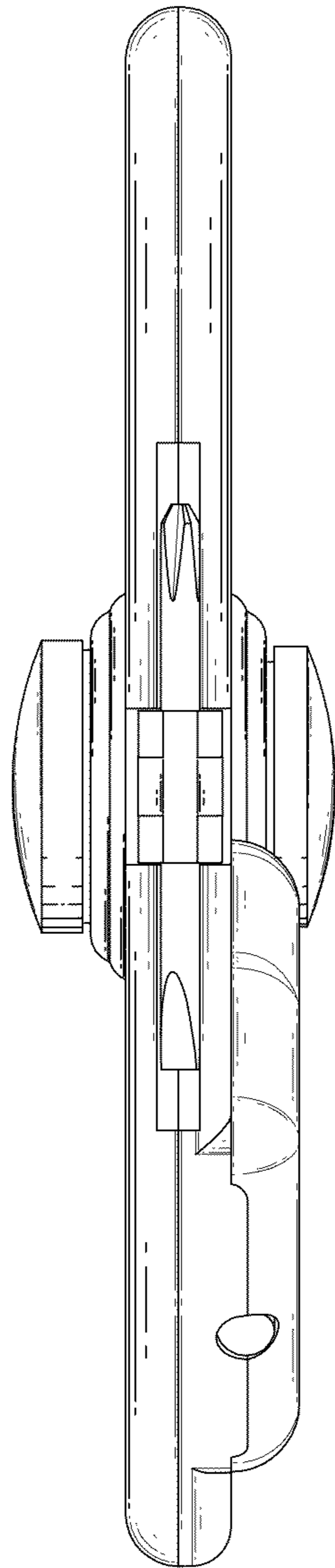
F I G . 1



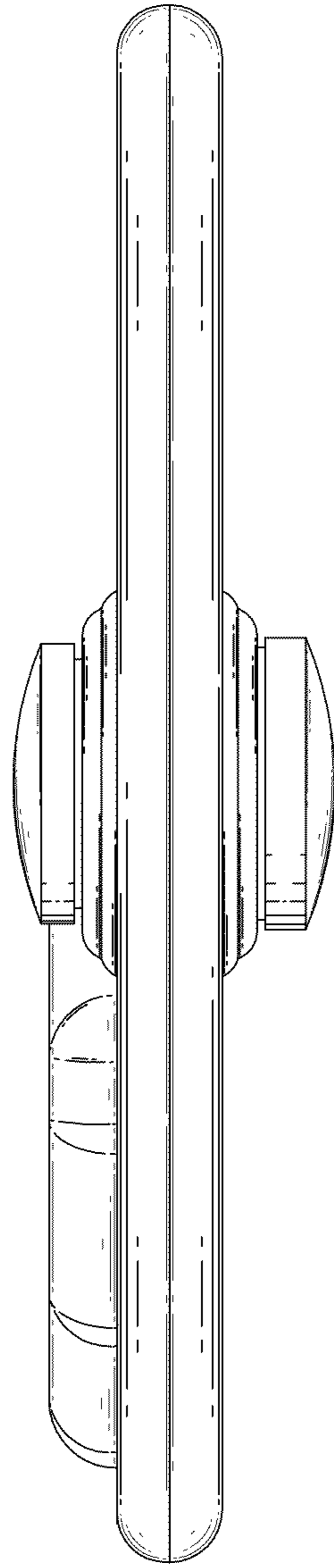
F I G . 2



F I G . 3



F I G . 4



F I G . 5

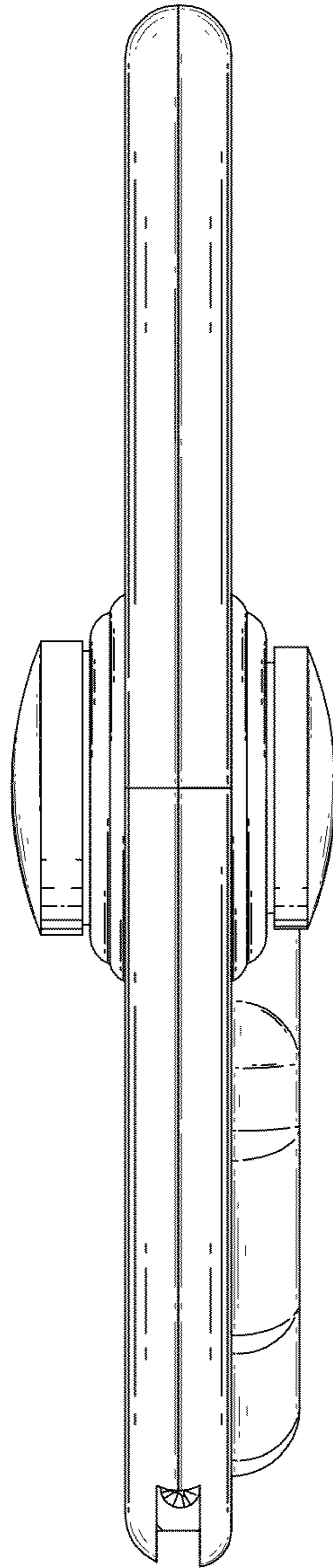


FIG. 6

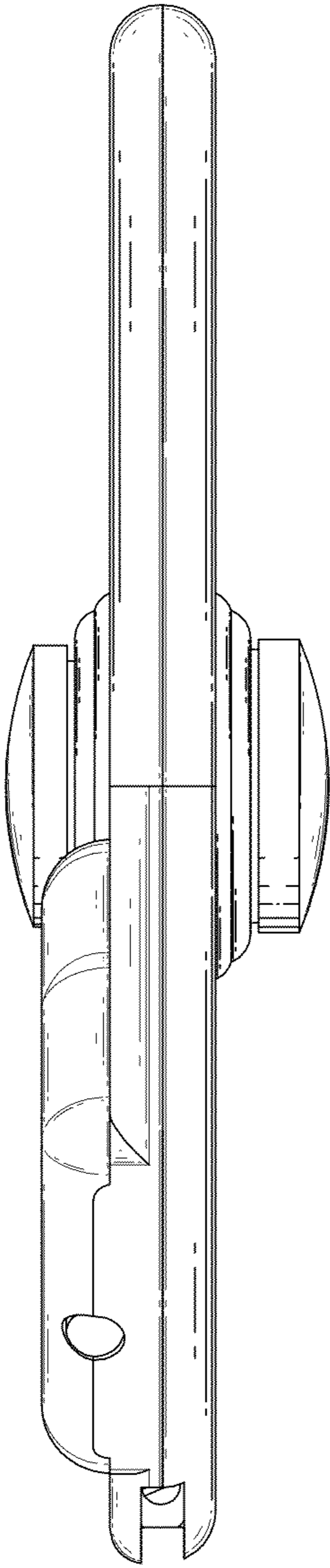


FIG. 7

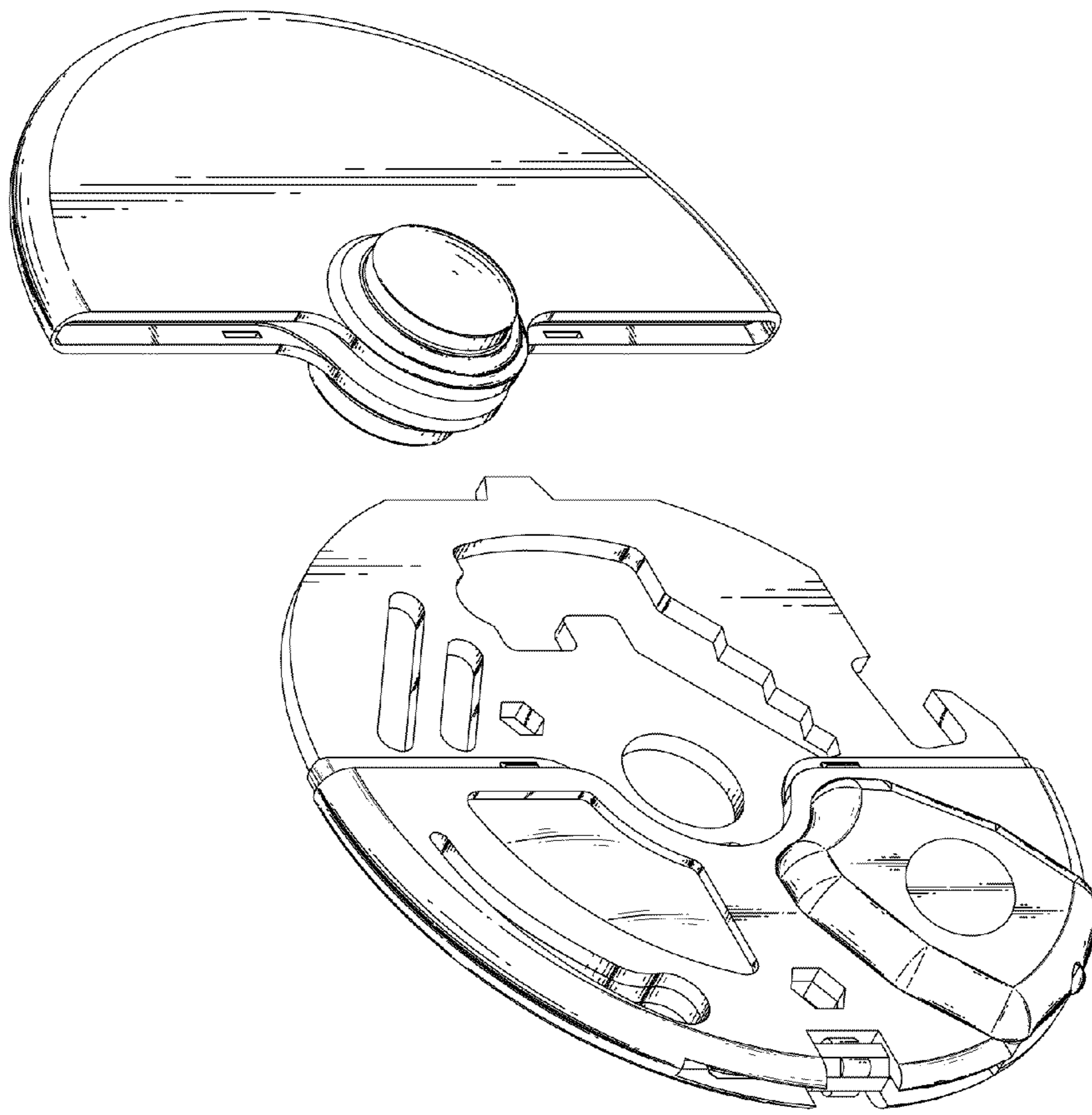


FIG. 8