



US00D712228S

(12) **United States Design Patent**
Rohrbach

(10) **Patent No.:** **US D712,228 S**

(45) **Date of Patent:** **** Sep. 2, 2014**

(54) **UTILITY KNIFE**

(75) Inventor: **Martin Rohrbach**, Horn (DE)

(73) Assignee: **Martor KG**, Solingen (DE)

(**) Term: **14 Years**

(21) Appl. No.: **29/427,924**

(22) Filed: **Jul. 24, 2012**

(30) **Foreign Application Priority Data**

Jan. 27, 2012	(EM)	001311849-0001
Jan. 27, 2012	(EM)	001311849-0002
Jan. 27, 2012	(EM)	001311849-0003
Jan. 27, 2012	(EM)	001311849-0004

(51) **LOC (10) Cl.** **08-03**

(52) **U.S. Cl.**
USPC **D8/99**

(58) **Field of Classification Search**
USPC D8/98, 99; 30/2, 158, 159, 160, 161,
30/162, 329, 335
See application file for complete search history.

(56) **References Cited**

U.S. PATENT DOCUMENTS

D399,720	S	*	10/1998	Owens et al.	D8/98
D401,832	S	*	12/1998	Keklak et al.	D8/99
5,890,294	A	*	4/1999	Keklak et al.	30/125
D492,179	S	*	6/2004	Hernandez et al.	D8/98

D529,780	S	*	10/2006	Davis	D8/99
7,322,110	B2	*	1/2008	Hernandez et al.	30/162
8,220,160	B2	*	7/2012	Davis et al.	30/162
8,561,305	B2	*	10/2013	Davis et al.	30/162
2004/0237312	A1	*	12/2004	Hernandez et al.	30/162
2007/0209209	A1	*	9/2007	Davis et al.	30/162

* cited by examiner

Primary Examiner — Phillip S Hyder

(74) *Attorney, Agent, or Firm* — Andrew Wilford

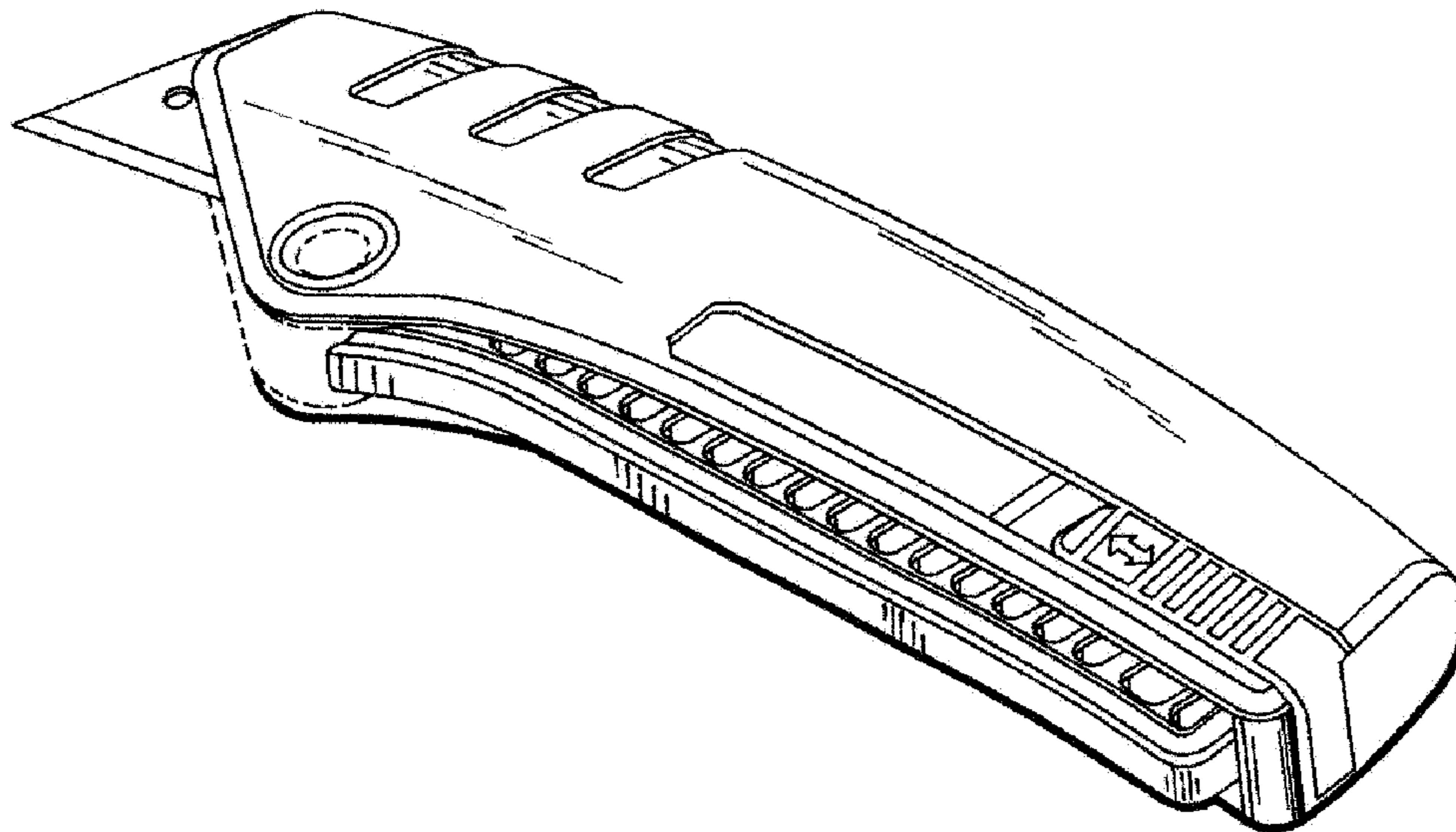
(57) **CLAIM**

The ornamental design for a utility knife, as shown and described.

DESCRIPTION

FIG. 1 is a right-side elevational view of the invention with the blade extended and the grip depressed;
 FIG. 2 is a left-side elevational view of the invention with the blade extended and the grip depressed;
 FIG. 3 is a right-side elevational view of the invention with the blade retracted and the grip unactuated;
 FIG. 4 is a left-side elevational view of the invention with the blade retracted and the grip unactuated;
 FIG. 5 is a top view of the invention with the blade extended;
 FIG. 6 is a perspective view from the rear end of the invention with the grip unactuated; and,
 FIG. 7 is a perspective view from the rear end of the invention with the grip depressed and the blade extended.
 The broken lines depict portions of the utility knife in which the design is embodied that are not considered part of the claimed design.

1 Claim, 3 Drawing Sheets



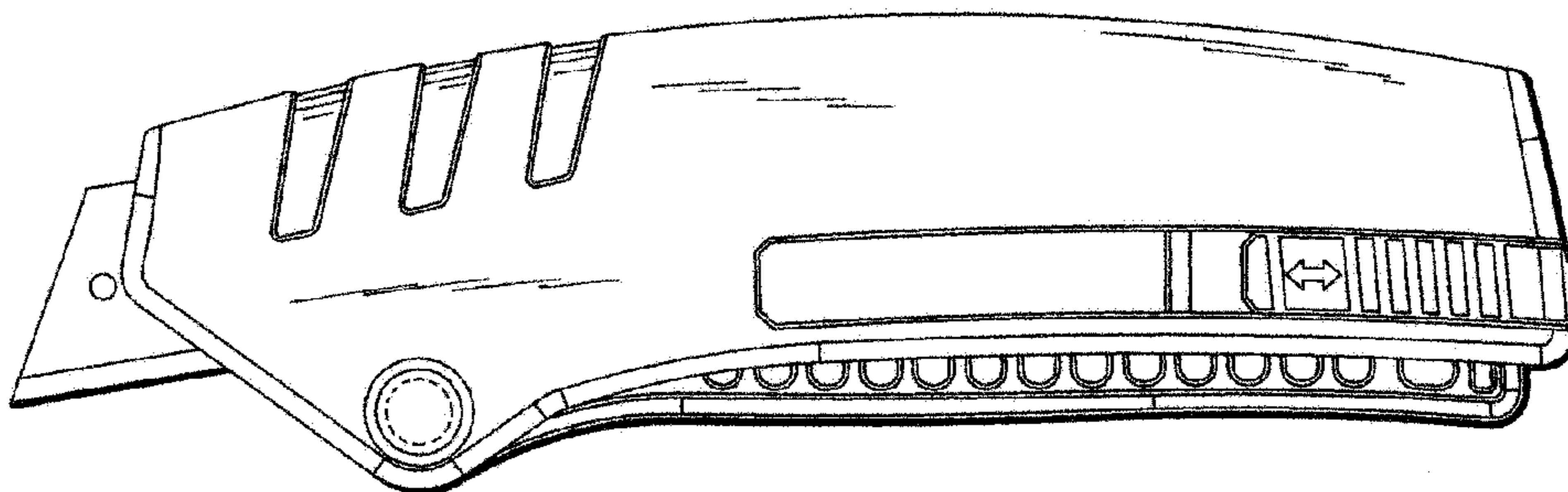


Fig. 1

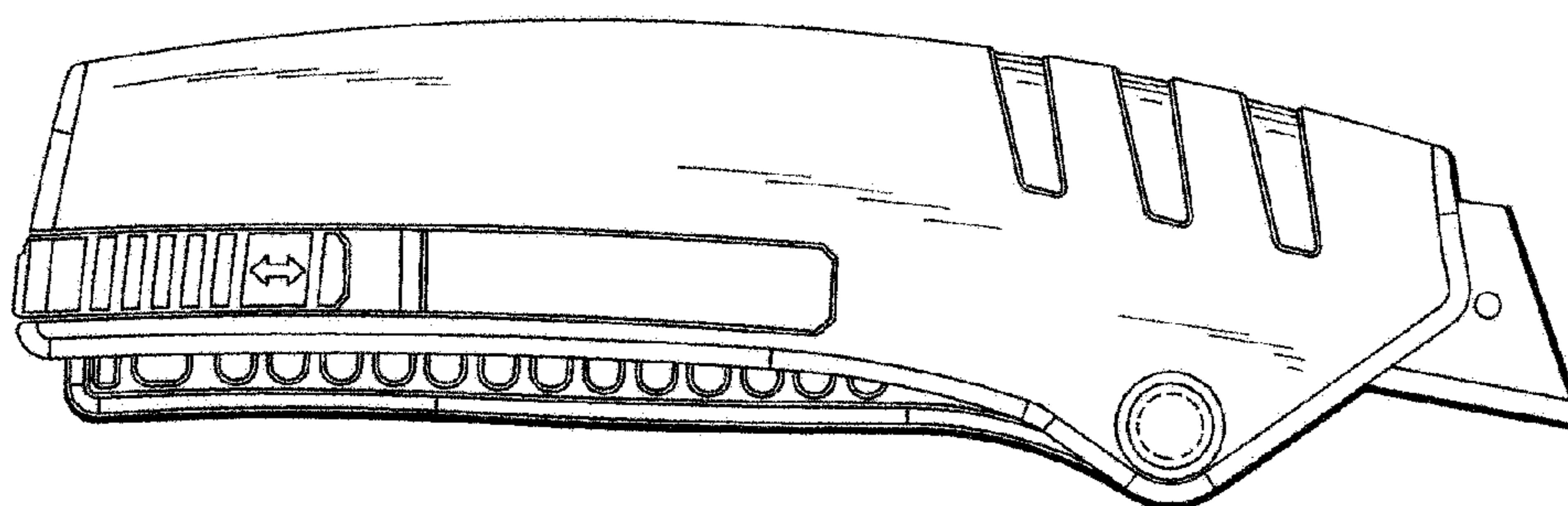


Fig. 2

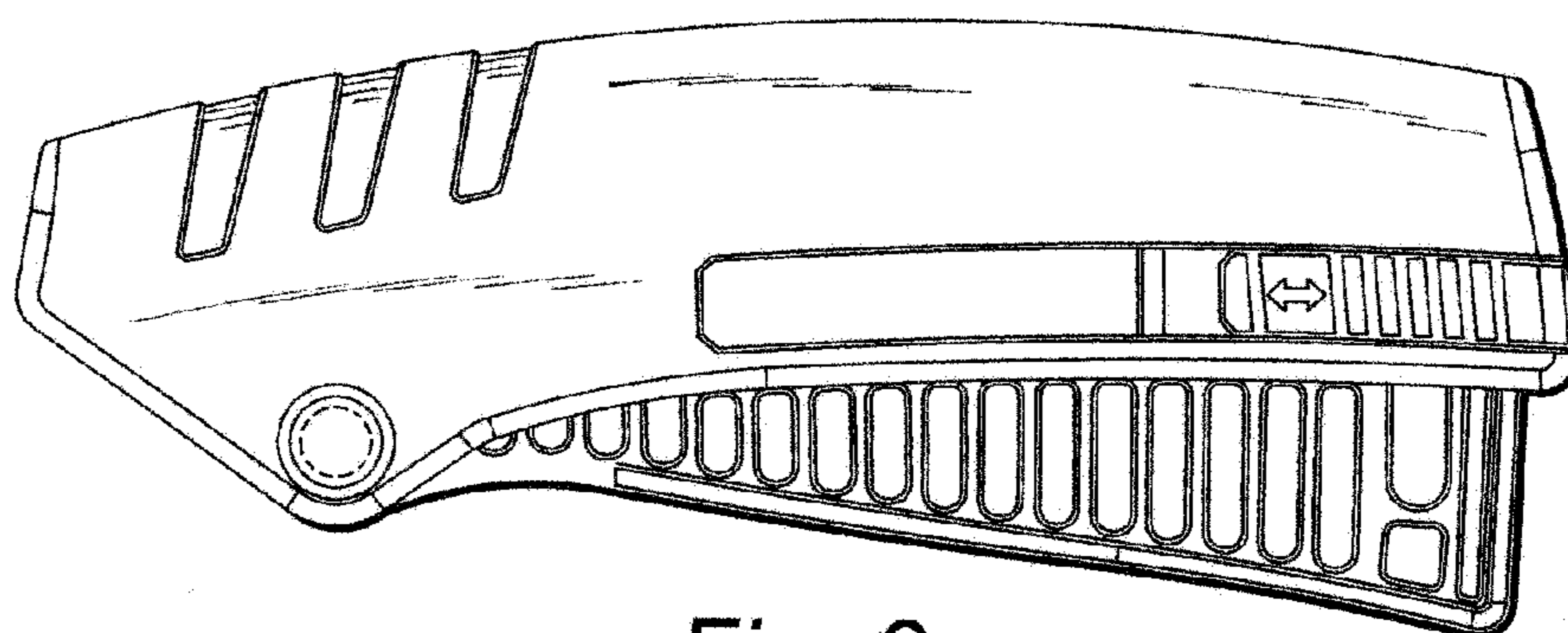


Fig. 3

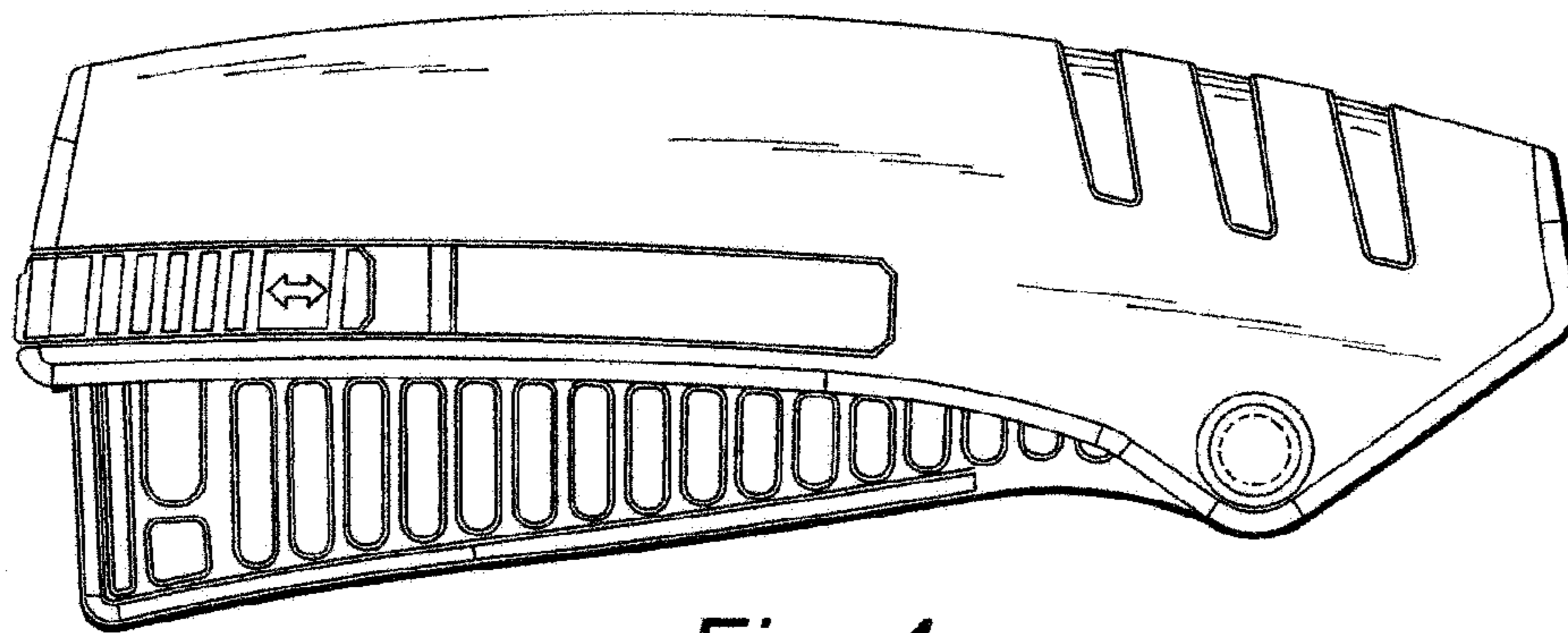


Fig. 4

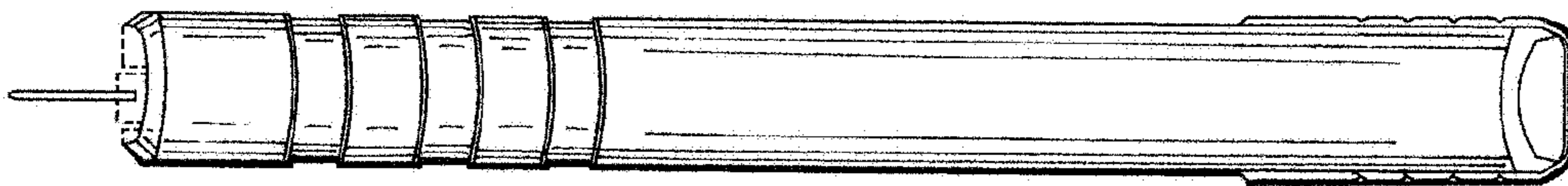


Fig. 5

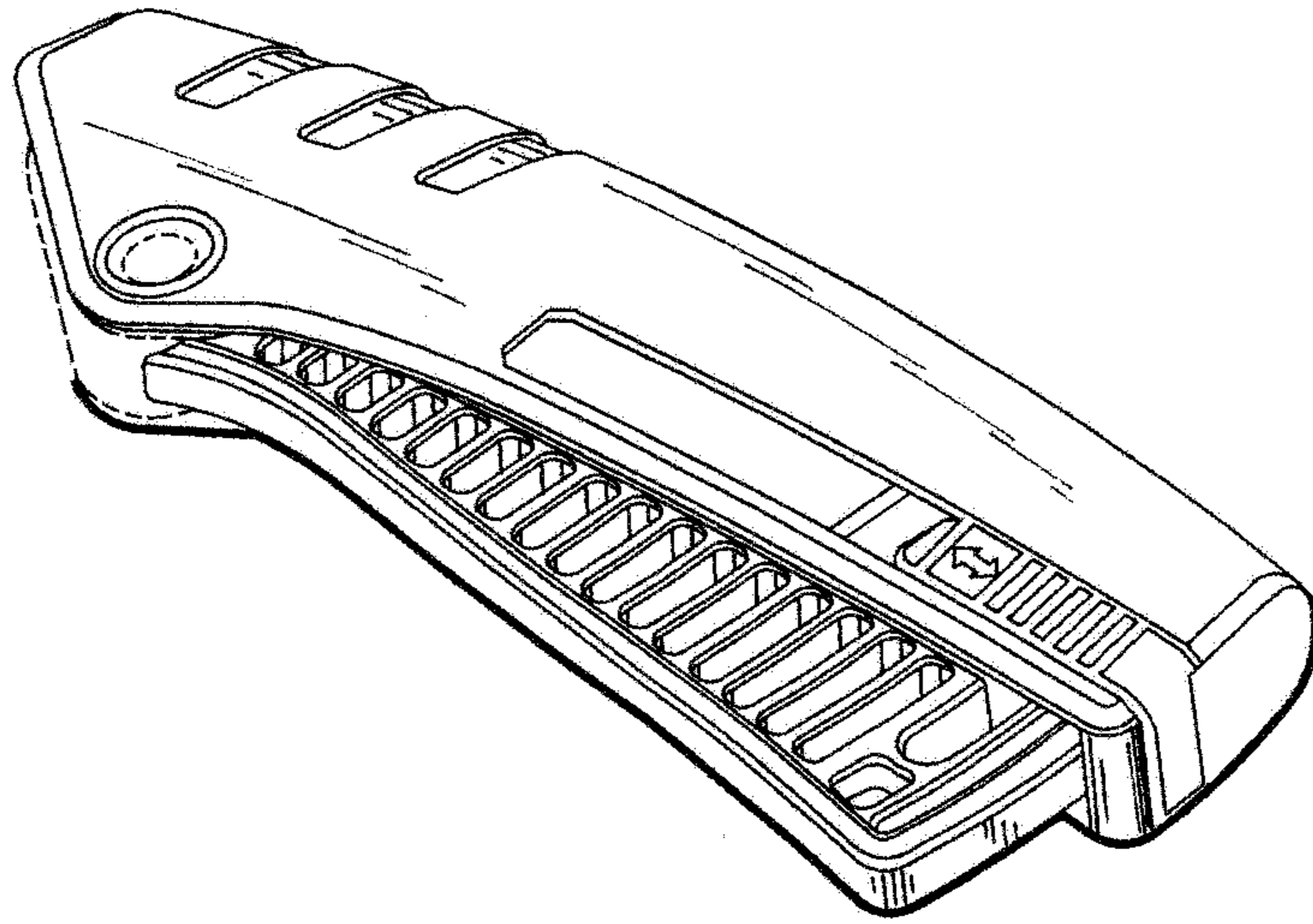


Fig. 6

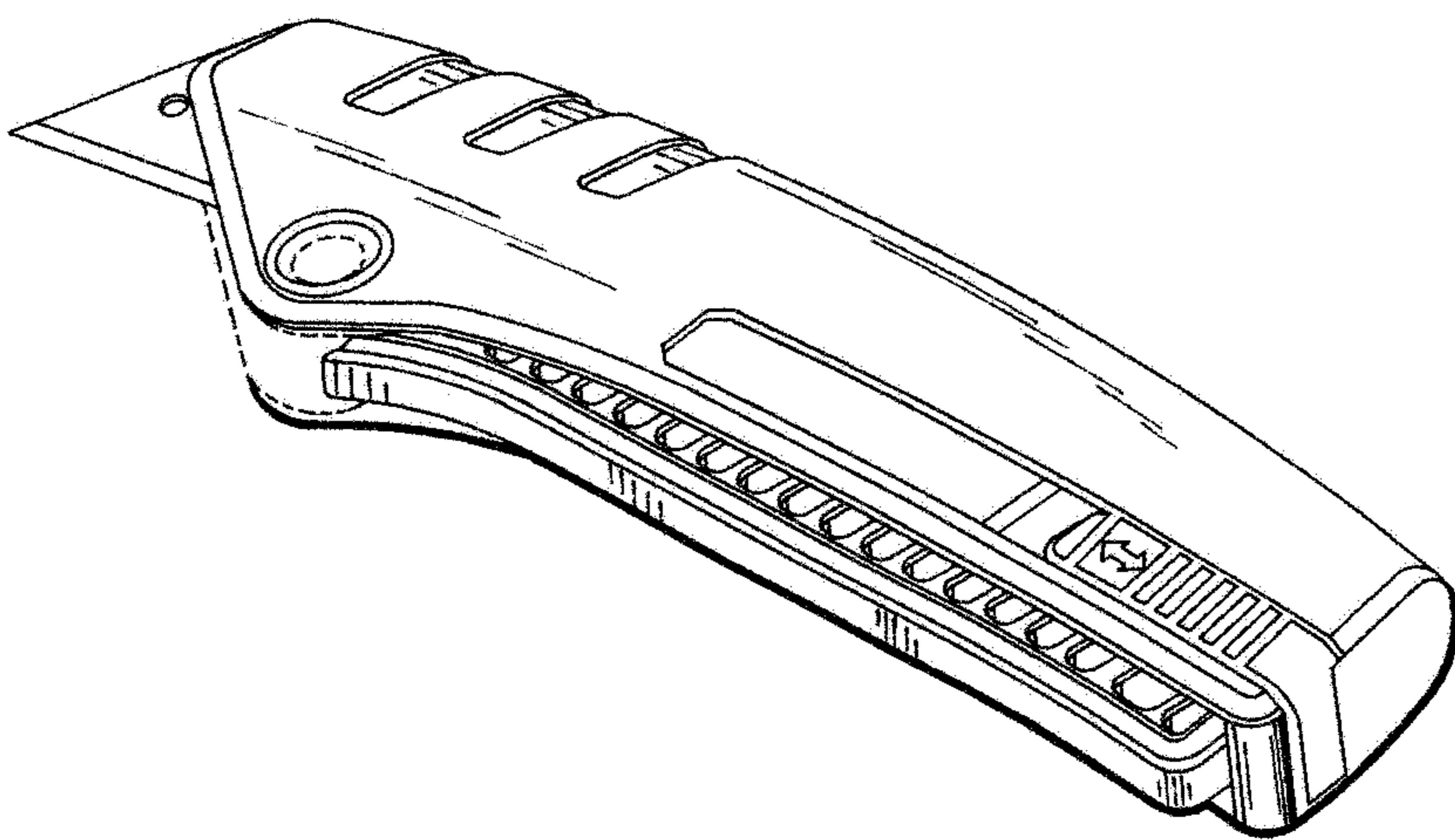


Fig. 7