



US00D712227S

(12) **United States Design Patent**
Arvinte et al.

(10) **Patent No.:** **US D712,227 S**
(45) **Date of Patent:** **** Sep. 2, 2014**

(54) **VACUUM POLE SANDER**
(71) Applicant: **A. Richard Tools Co./Outils A. Richard Co.**, Berthierville (CA)
(72) Inventors: **Romeo Arvinte**, Laval-des-Rapides (CA); **Francois Panfili**, Berthierville (CA)
(73) Assignee: **A. Richard Tools Co./Outils A. Richard Co.**, Berthierville, Quebec (CA)

D354,666	S	*	1/1995	Kriebel	D8/90
5,428,865	A	*	7/1995	Yarbrough	15/353
5,527,212	A	*	6/1996	Bowen et al.	451/456
5,624,305	A	*	4/1997	Brown	451/354
D392,860	S	*	3/1998	Brown	D8/62
6,347,985	B1	*	2/2002	Loveless	451/354
6,860,799	B2	*	3/2005	Loveless	451/354
7,014,546	B1	*	3/2006	Birk	451/355
7,249,996	B1	*	7/2007	Volyar	451/354
D652,283	S	*	1/2012	Arvinte et al.	D8/90
D659,503	S	*	5/2012	Arvinte et al.	D8/90
2012/0322350	A1	*	12/2012	Schywalsky	451/354
2013/0267149	A1	*	10/2013	Rocha	451/28

(**) Term: **14 Years**

* cited by examiner

(21) Appl. No.: **29/444,593**

Primary Examiner — Philip S Hyder

(22) Filed: **Jan. 31, 2013**

Assistant Examiner — Roselynn Cody

(30) **Foreign Application Priority Data**

Aug. 16, 2012 (CA) 147045

(74) *Attorney, Agent, or Firm* — Merchant & Gould P.C.

(51) **LOC (10) Cl.** **08-05**

(52) **U.S. Cl.**
USPC **D8/90**

(57) **CLAIM**

The ornamental design for a vacuum pole sander, as shown and described.

(58) **Field of Classification Search**
USPC D8/14, 62, 90; D32/31–33; 15/49.1, 15/50.1, 97.1, 98, 180; 451/259, 353–356, 451/456, 524
See application file for complete search history.

DESCRIPTION

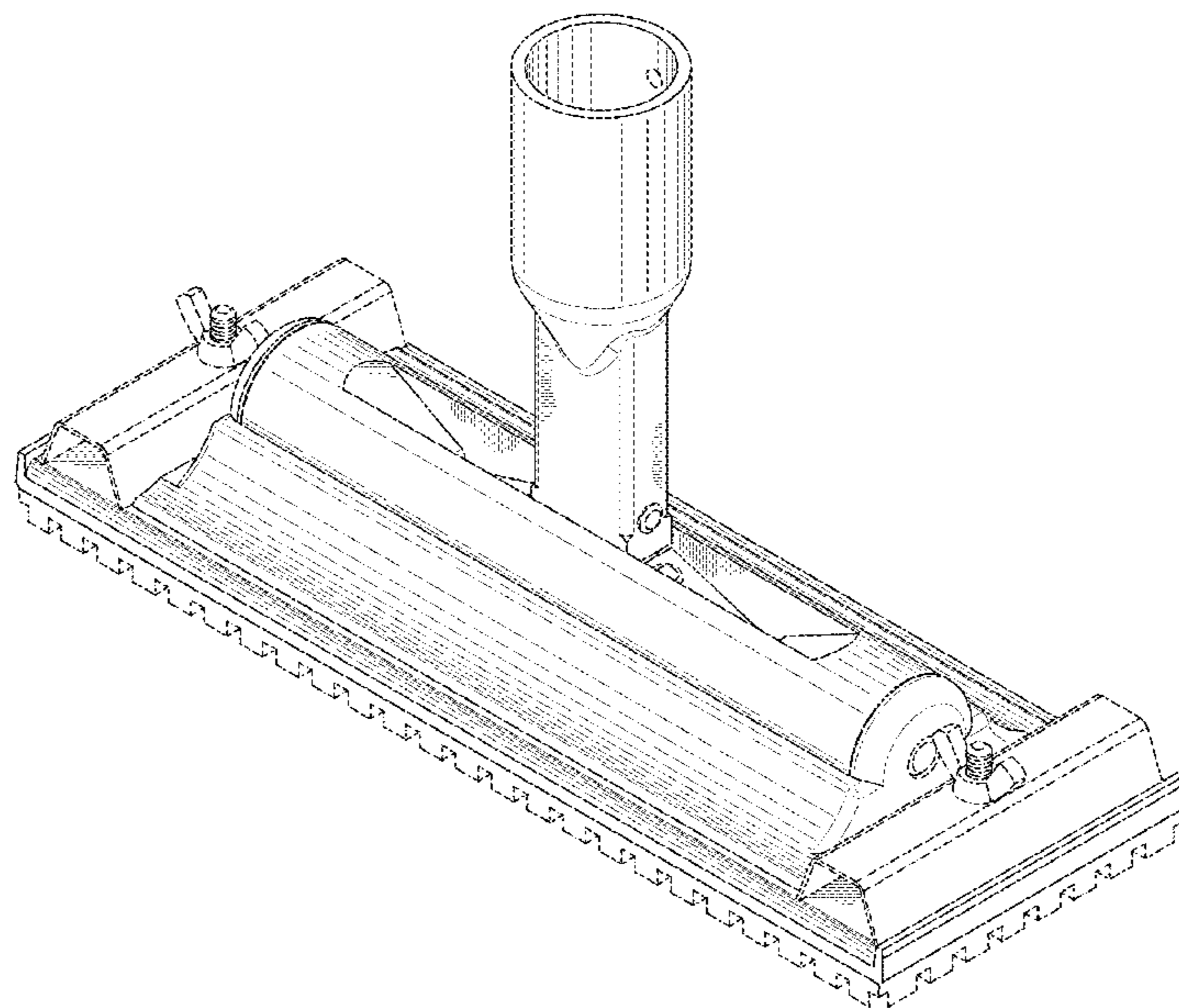
FIG. 1 is a top perspective view of a vacuum pole sander showing our new design;
FIG. 2 is a bottom perspective view thereof;
FIG. 3 is a front view thereof;
FIG. 4 is a rear view thereof;
FIG. 5 is a right side view thereof;
FIG. 6 is left side view thereof;
FIG. 7 is a top plan view thereof;
FIG. 8 is a bottom plan view thereof; and,
FIG. 9 is another top perspective view thereof shown in a second position.
The portions shown in dashed lines form no part of the claimed design.

(56) **References Cited**

U.S. PATENT DOCUMENTS

4,062,152	A	*	12/1977	Mehrer	451/344
4,697,389	A	*	10/1987	Romine	451/354
4,964,243	A	*	10/1990	Reiter	451/354
5,193,313	A	*	3/1993	Sanchez et al.	451/344
5,239,783	A	*	8/1993	Matechuk	451/354
D353,313	S	*	12/1994	Stiles	D8/62

1 Claim, 9 Drawing Sheets



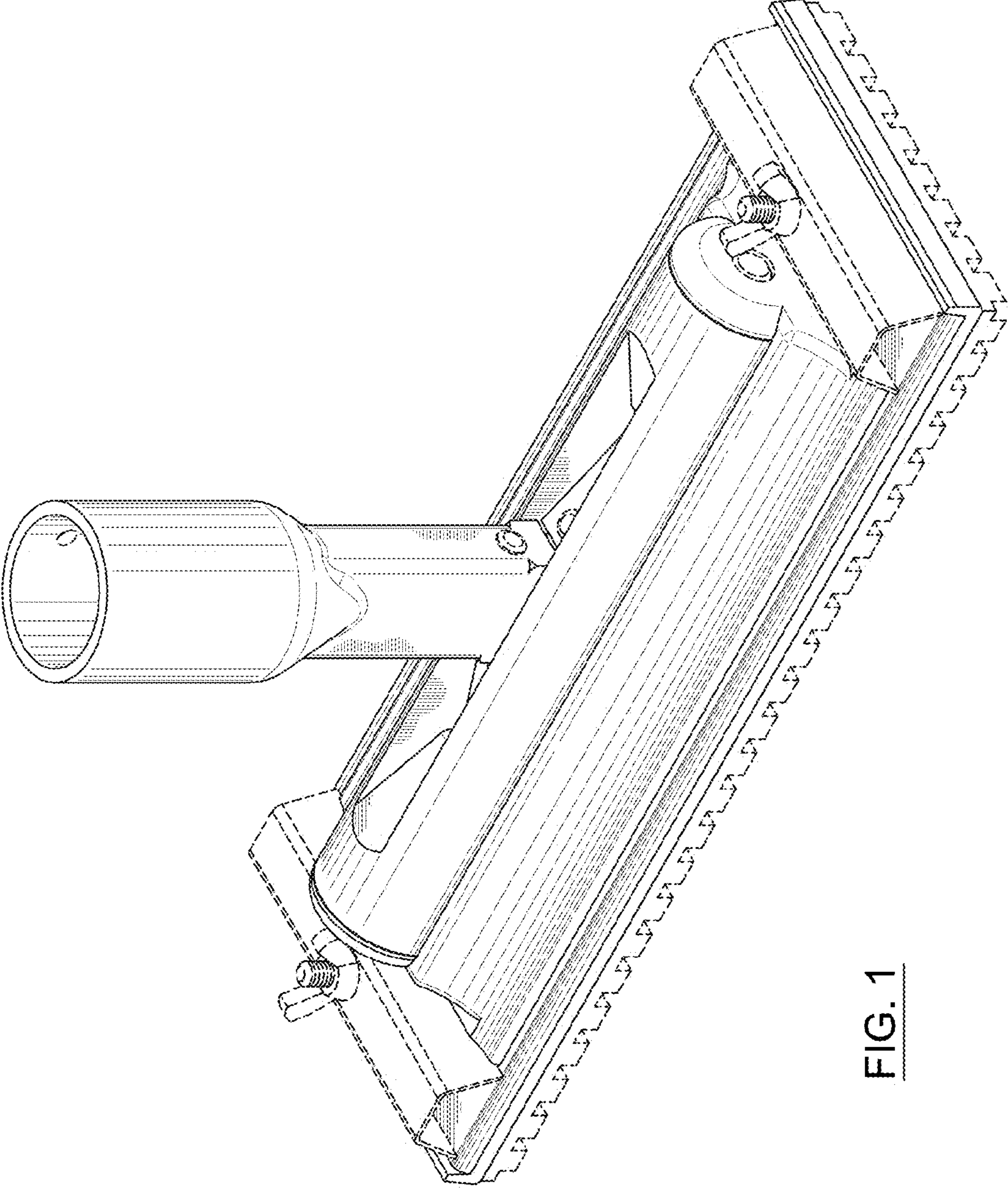


FIG. 1

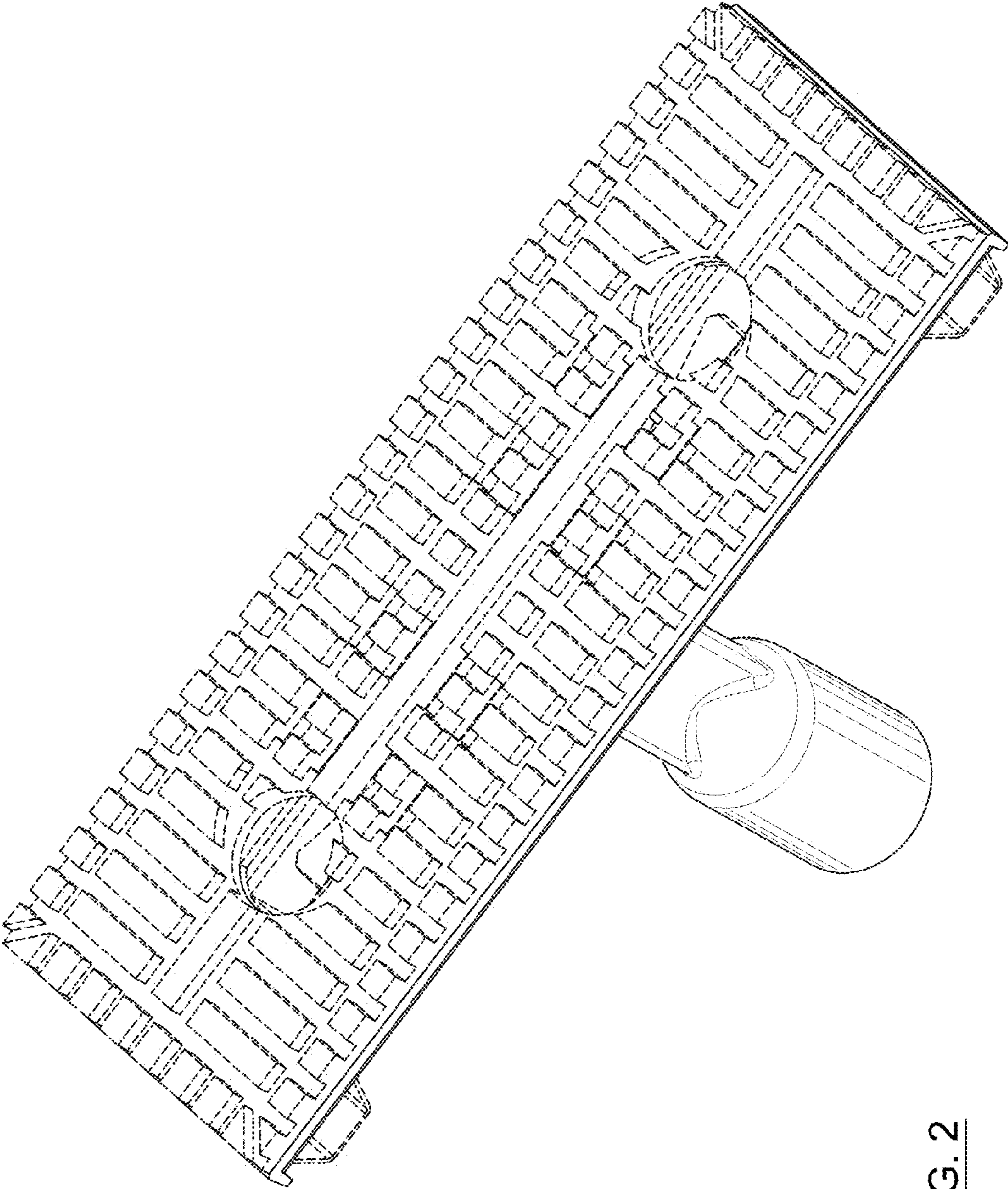


FIG. 2

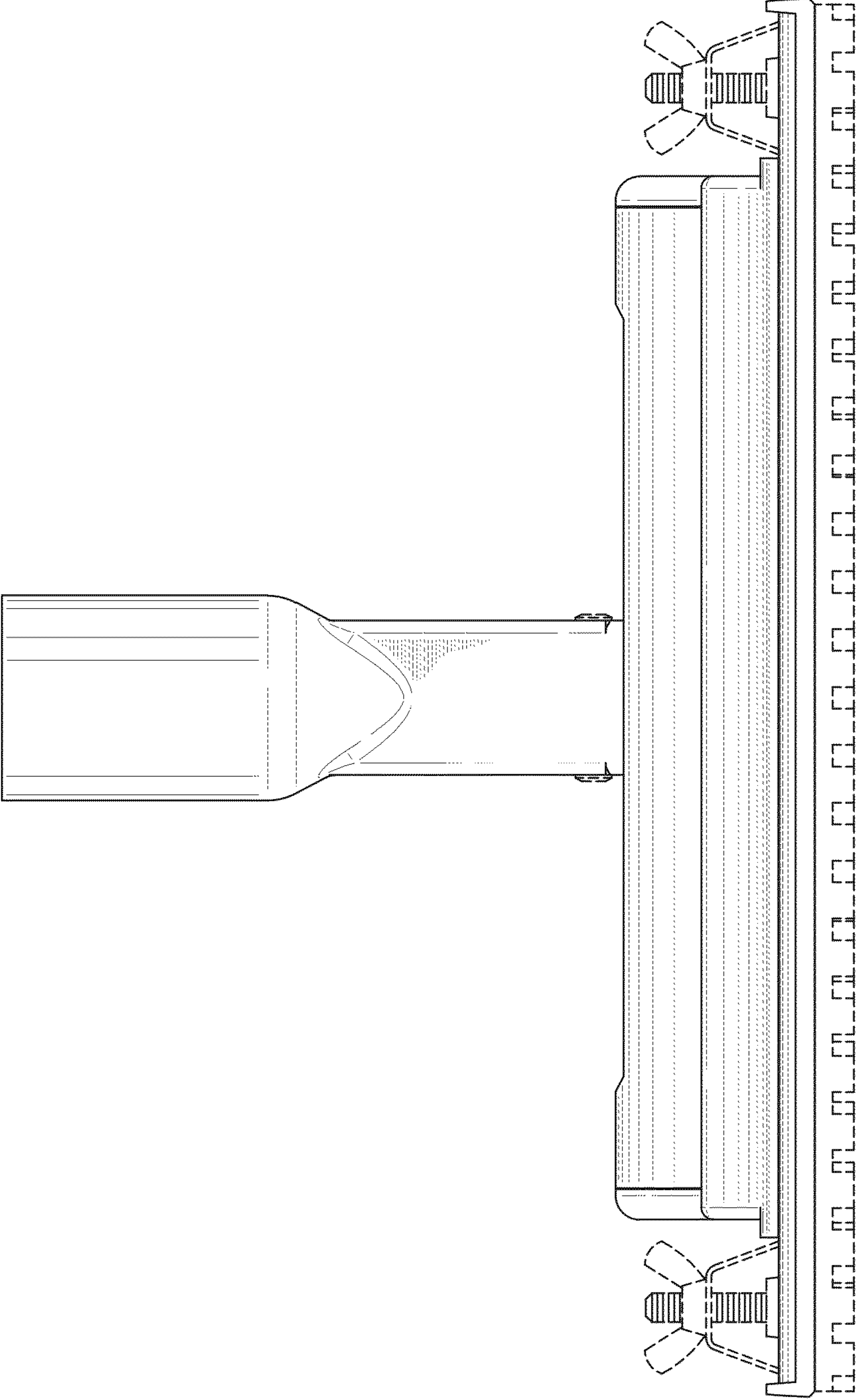


FIG. 3

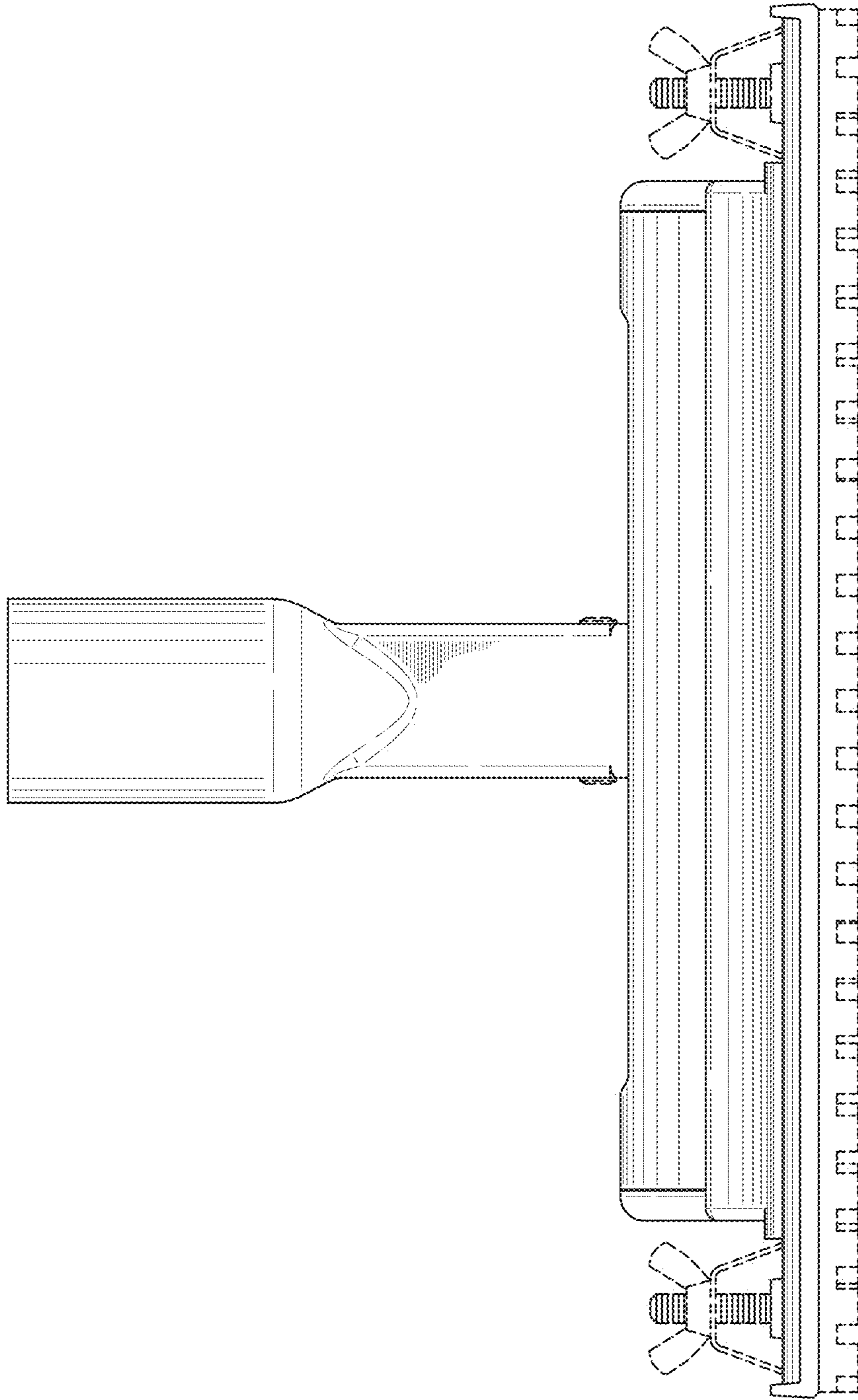


FIG. 4

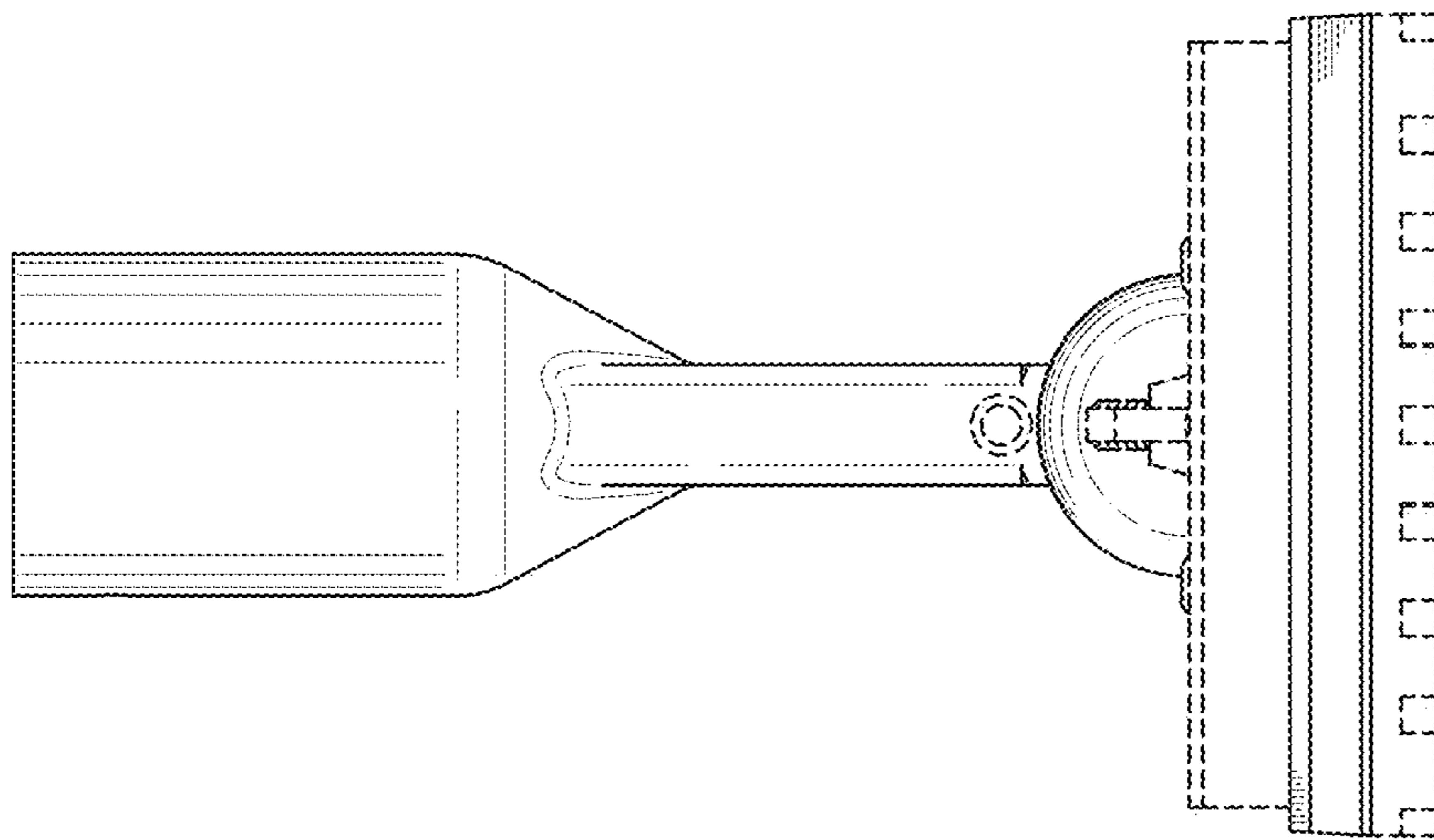


FIG. 5

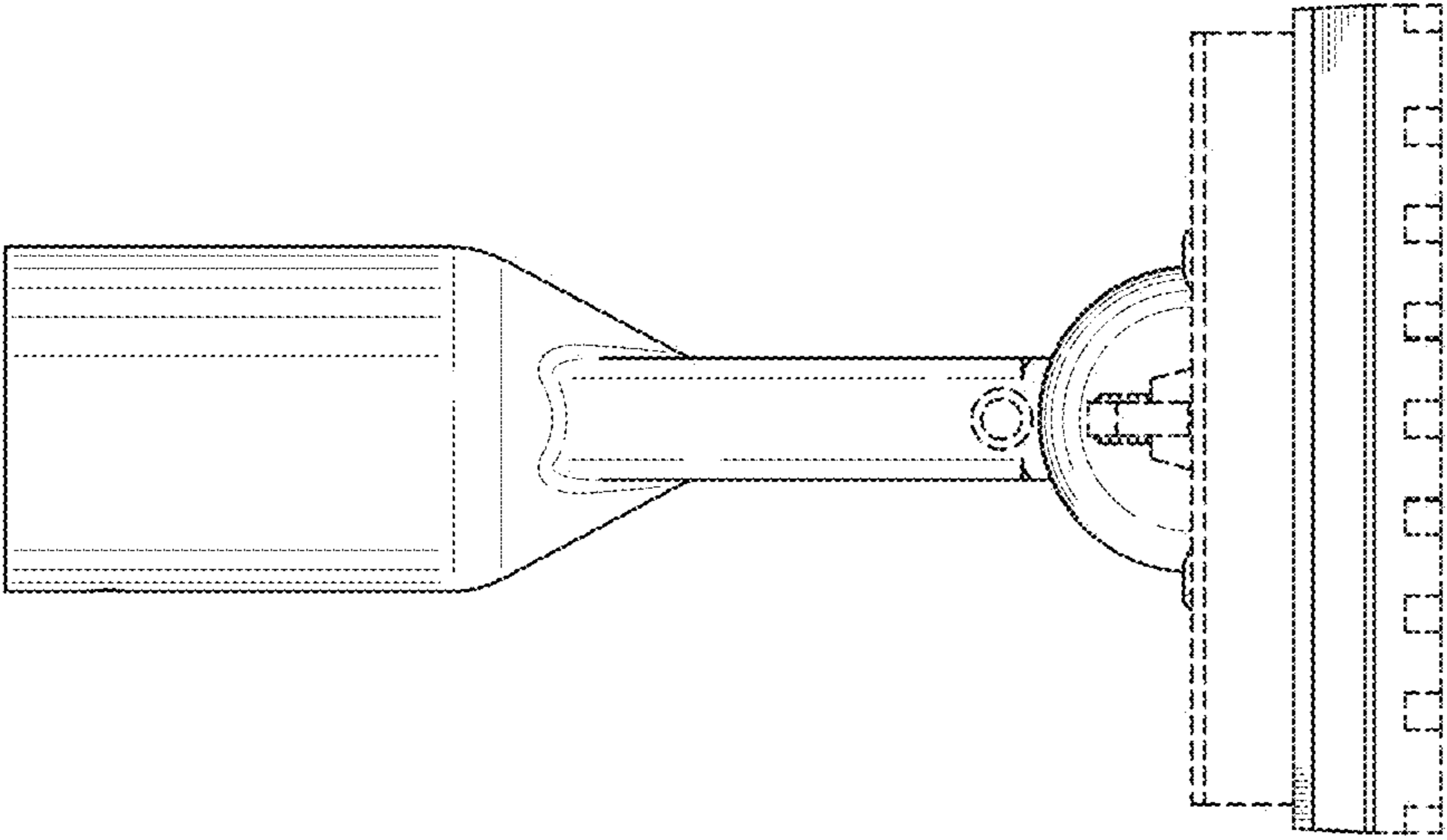


FIG. 6

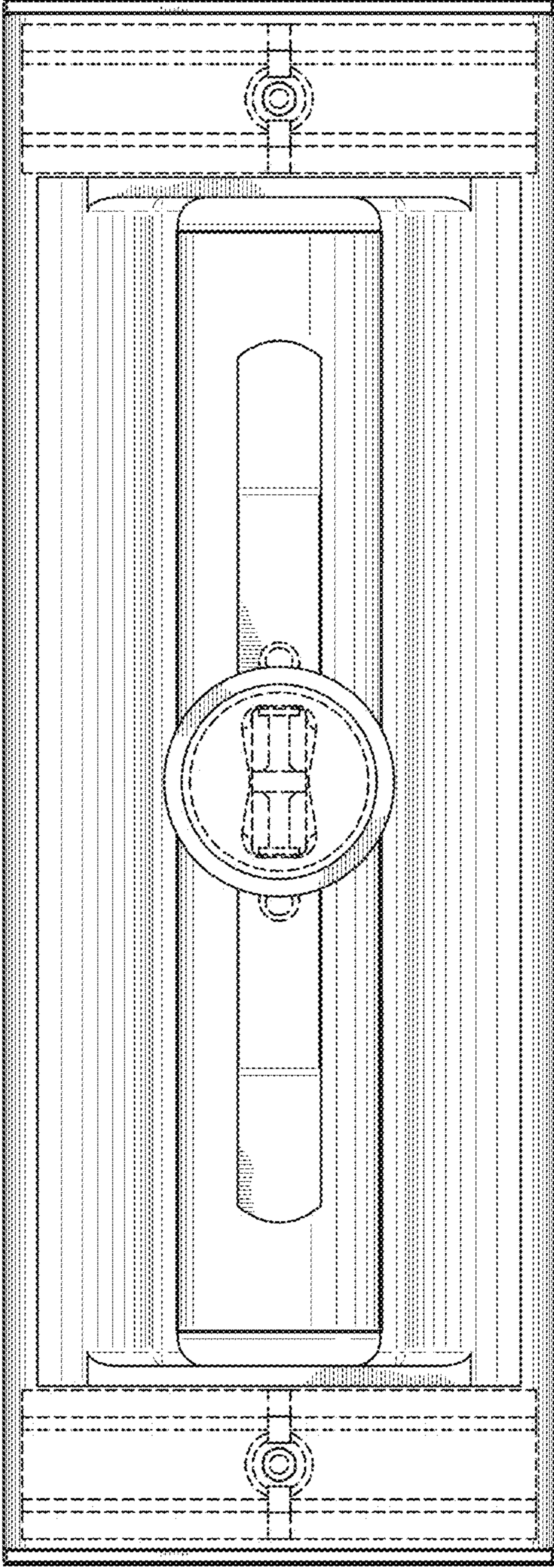


FIG. 7

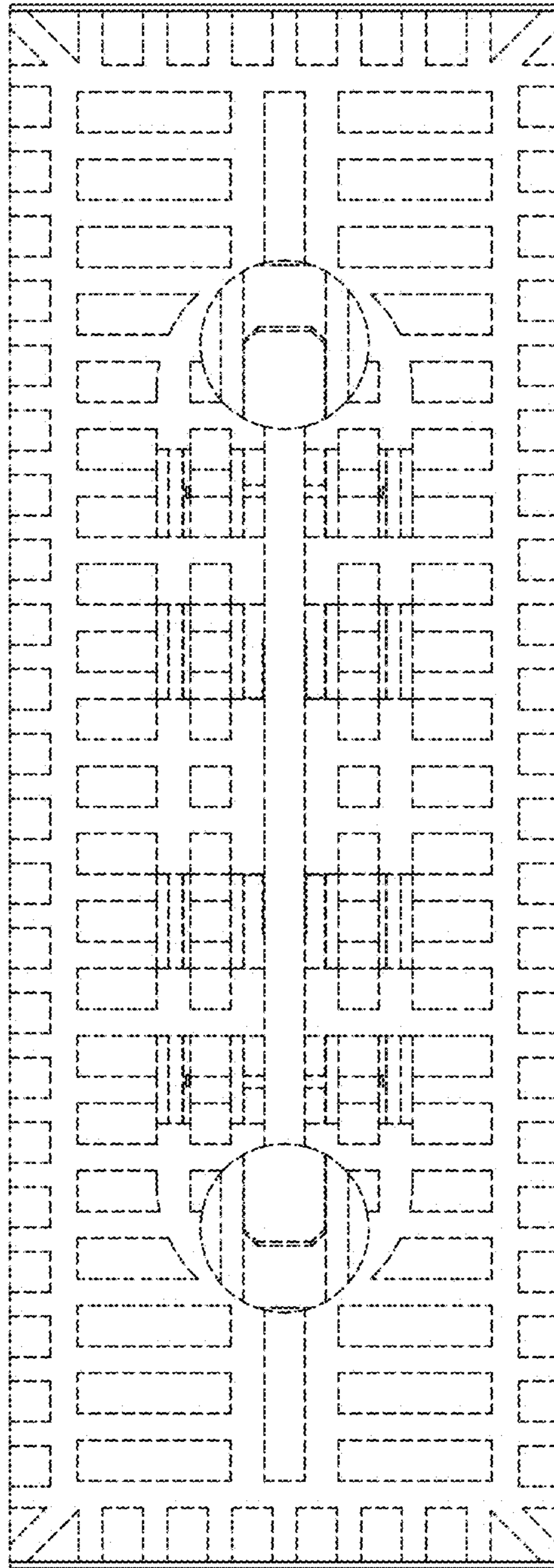


FIG. 8

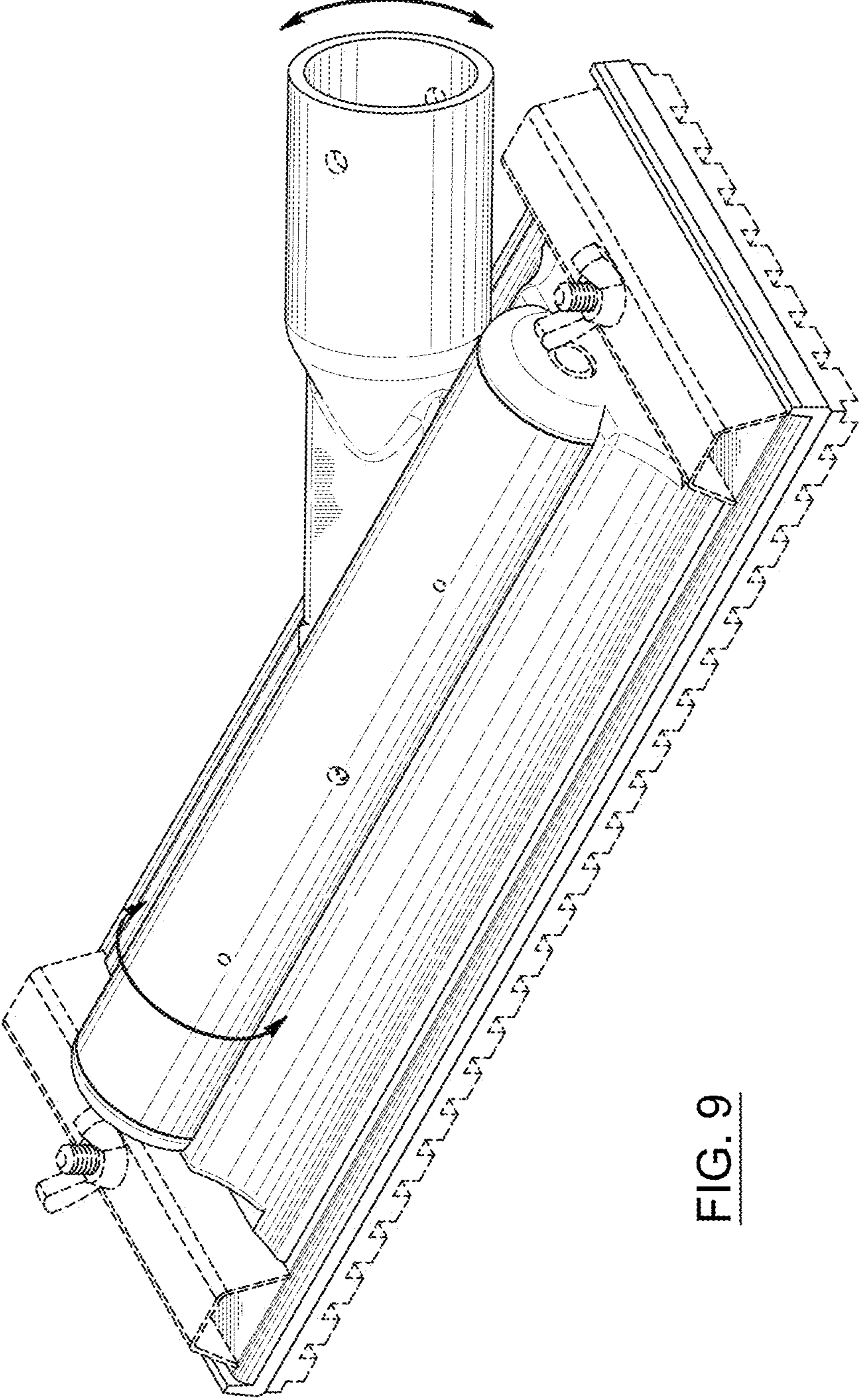


FIG. 9